



US00D876612S

(12) **United States Design Patent**
Hidalgo

(10) **Patent No.:** **US D876,612 S**

(45) **Date of Patent:** **** Feb. 25, 2020**

(54) **COMBINATION CEILING FAN HOUSING AND LIGHT COVER**

(71) Applicant: **Minka Lighting, Inc.**, Corona, CA (US)

(72) Inventor: **Rolando Hidalgo**, Yorba Linda, CA (US)

(73) Assignee: **Minka Lighting, Inc.**, Corona, CA (US)

(**) Term: **15 Years**

(21) Appl. No.: **29/649,876**

(22) Filed: **Jun. 1, 2018**

Related U.S. Application Data

(63) Continuation-in-part of application No. 29/590,097, filed on Jan. 6, 2017.

(51) **LOC (12) Cl.** **26-05**

(52) **U.S. Cl.**
USPC **D23/411; D26/59**

(58) **Field of Classification Search**
USPC ... D26/59, 24, 118, 119, 121–124, 128–137;
D23/370, 377–382, 411–414
CPC F04D 25/088; F04D 29/38; F21V 21/03;
B63H 1/16
See application file for complete search history.

(56) **References Cited**

U.S. PATENT DOCUMENTS

D430,930 S * 9/2000 Zuege D23/377
D488,554 S * 4/2004 Bacon D23/411

D556,939 S * 12/2007 Gajewski D26/128
D808,512 S * 1/2018 Hidalgo D23/411
D821,562 S * 6/2018 Haggar D23/411
D824,558 S * 7/2018 Guthrie D26/59
D825,052 S * 8/2018 Guthrie D23/411
D833,597 S * 11/2018 Hidalgo D23/377
D851,234 S * 6/2019 Hidalgo D23/377
2005/0249598 A1 * 11/2005 Young F04D 19/024
416/198 R

* cited by examiner

Primary Examiner — Janice Hallmark

(74) *Attorney, Agent, or Firm* — Seyfarth Shaw LLP

(57) **CLAIM**

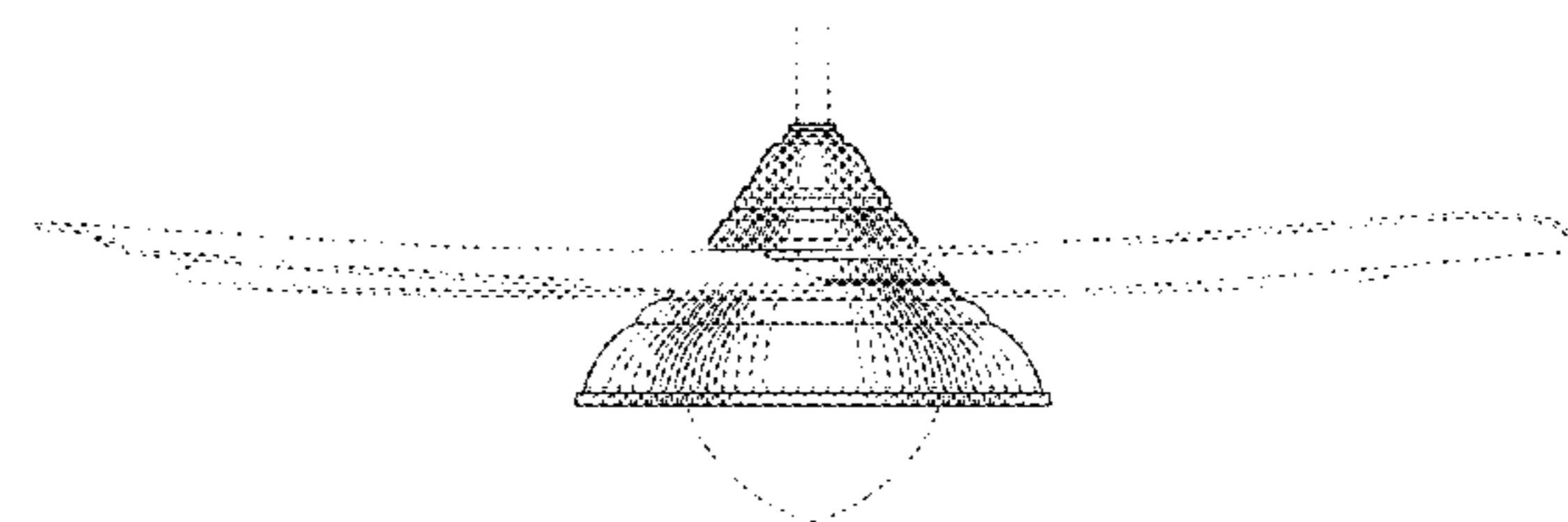
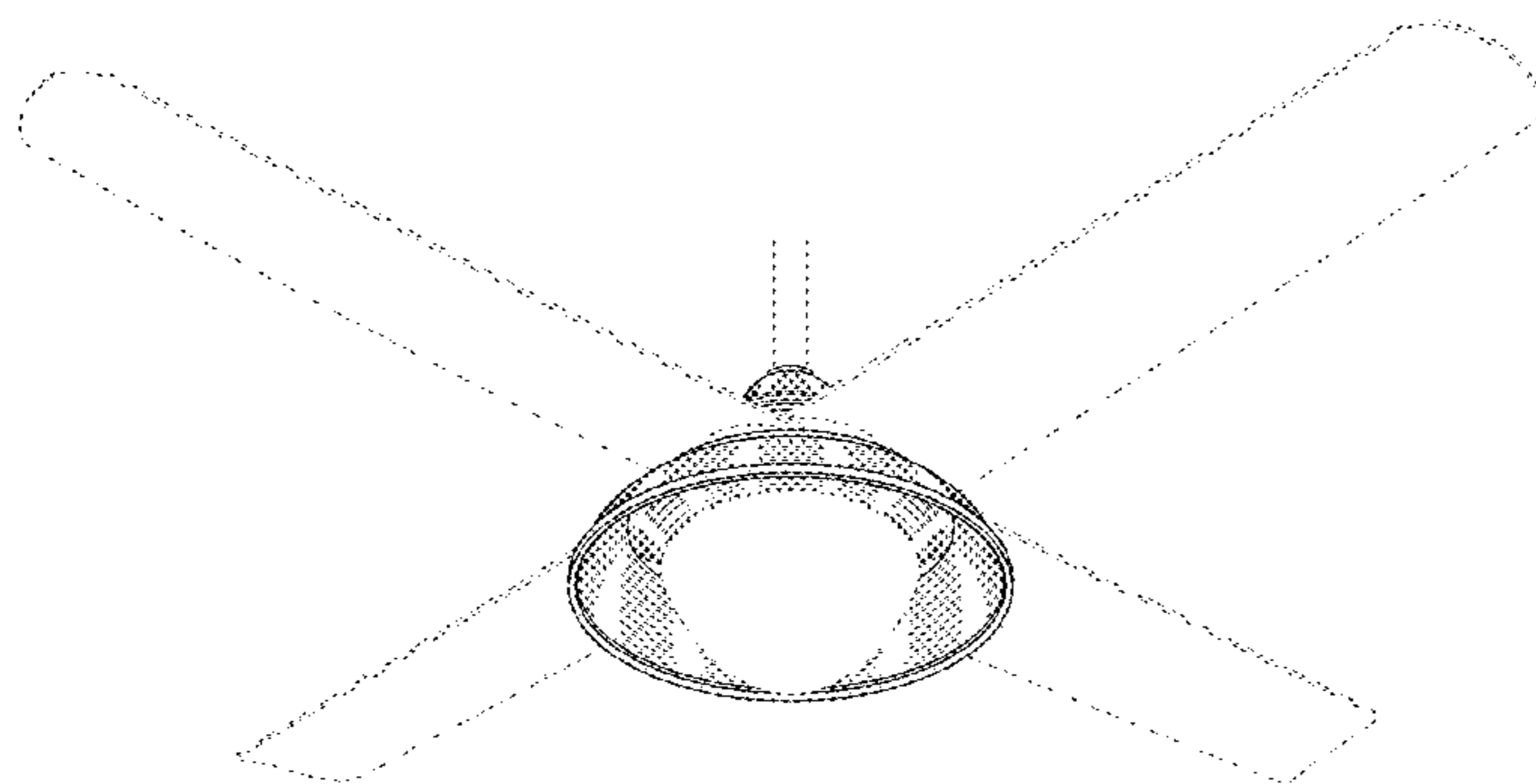
The ornamental design for a combination ceiling fan housing and light cover, as shown and described.

DESCRIPTION

FIG. 1 is a perspective view of a combination ceiling fan housing and light cover in accordance with my design;
FIG. 2 is a top plan view thereof;
FIG. 3 is a bottom plan view thereof;
FIG. 4 is a front elevation view thereof, the opposite side being a mirror image of that shown;
FIG. 5 is a left elevation view thereof, the opposite side being a mirror image of that shown; and,
FIG. 6 is an elevation view thereof between the front and the left elevation views.

The broken lines in the drawings illustrate portions of the ceiling fan that form no part of the claimed design.

1 Claim, 5 Drawing Sheets



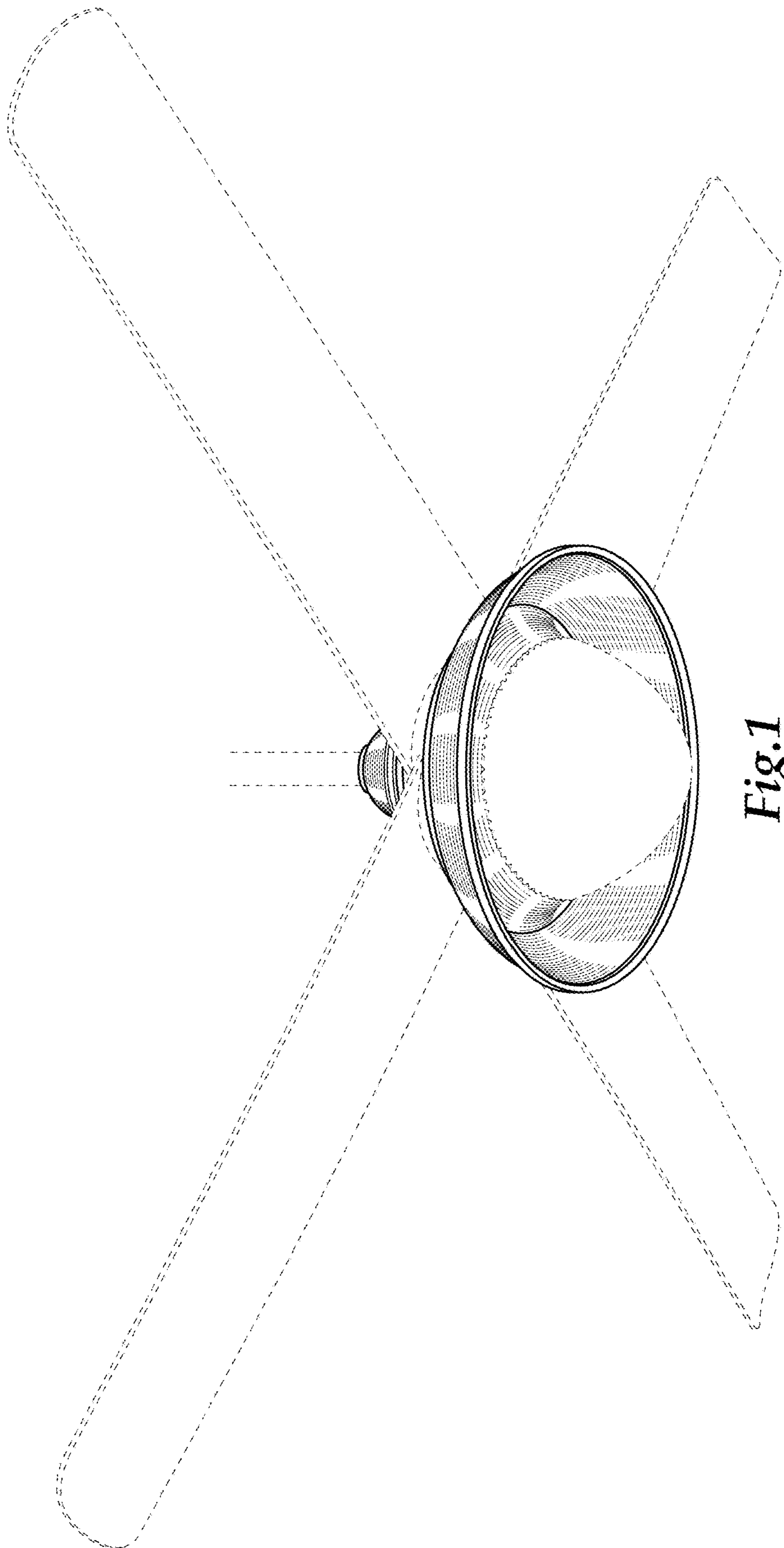


Fig. 1

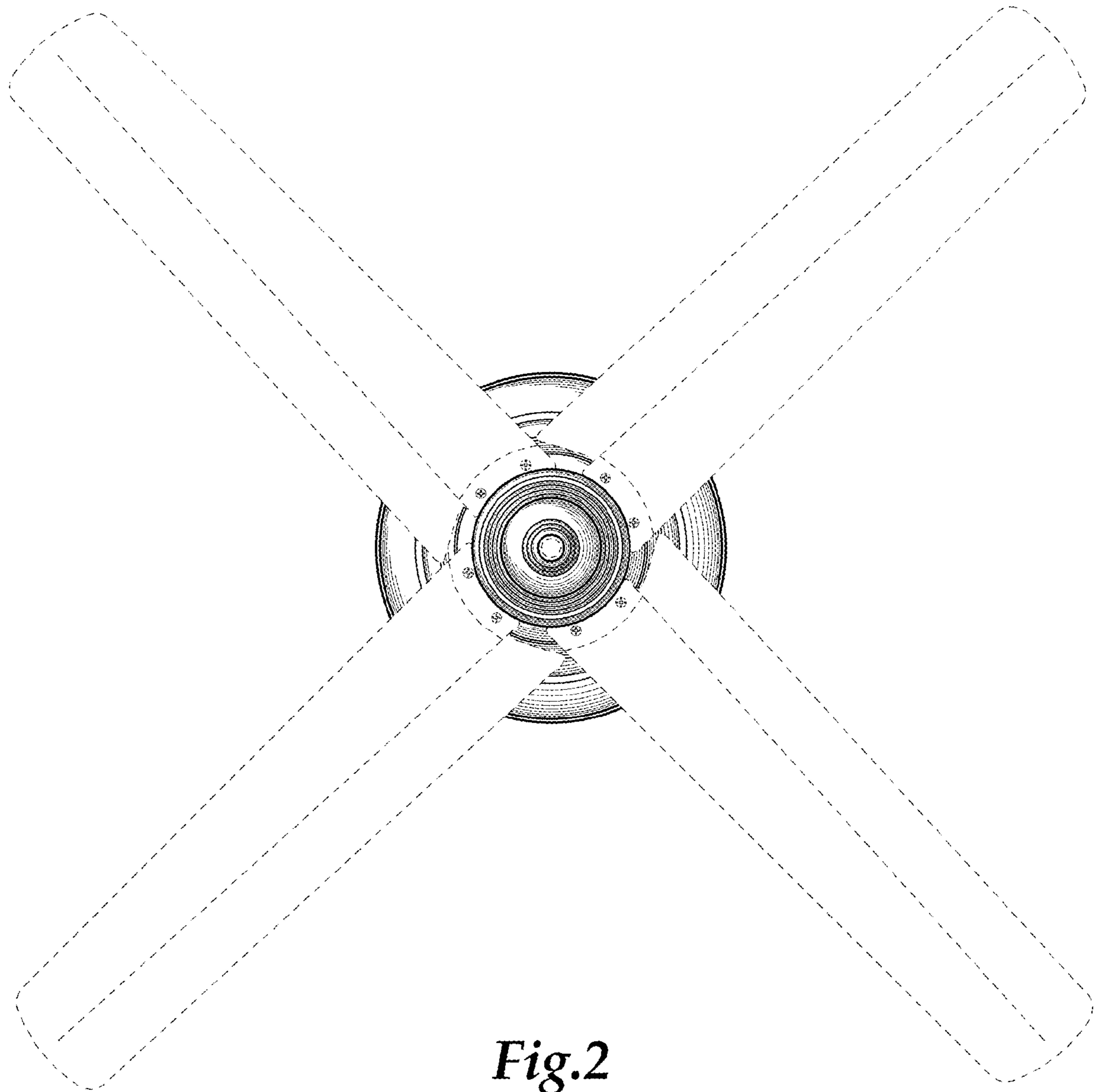


Fig.2

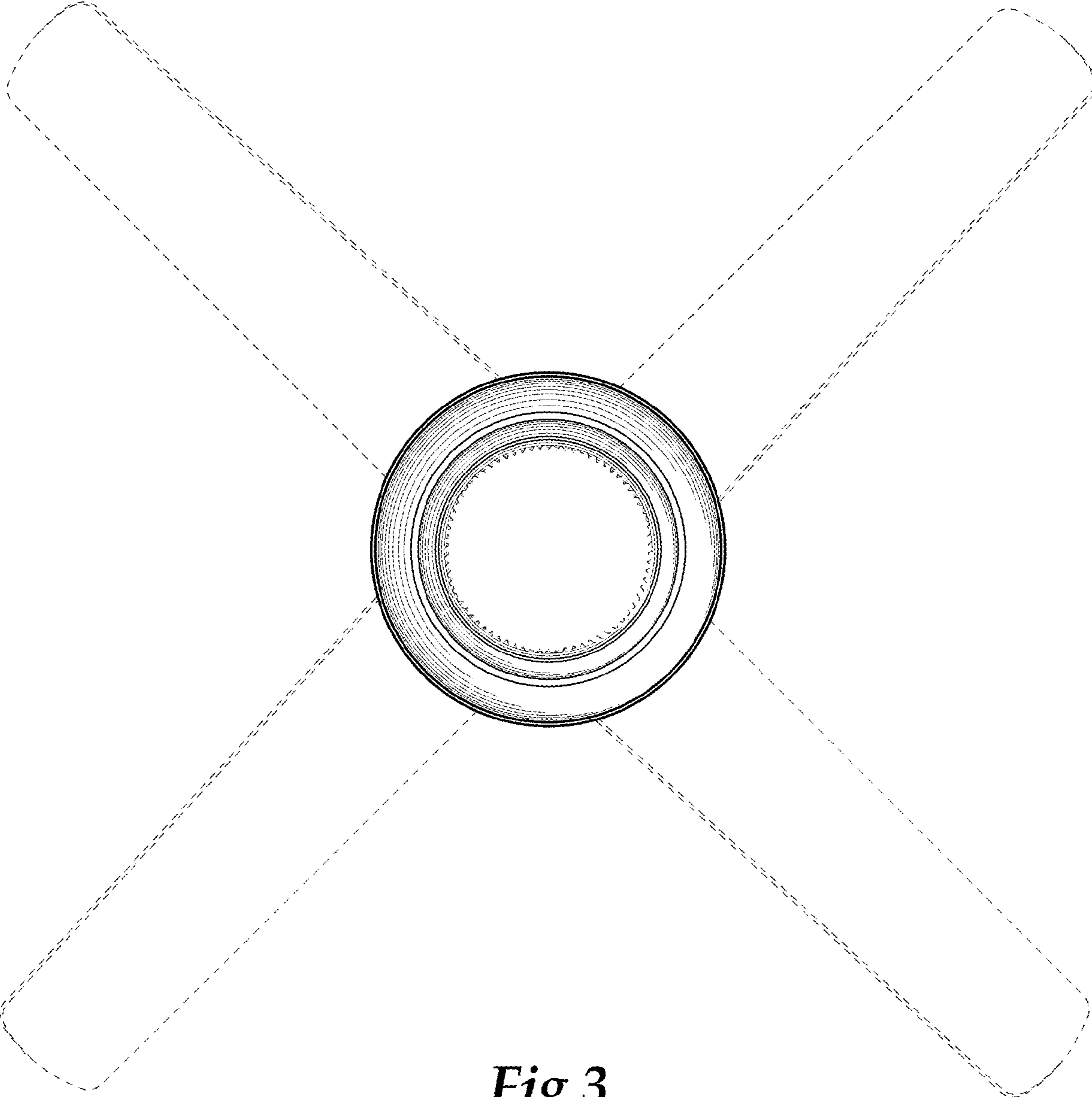


Fig.3

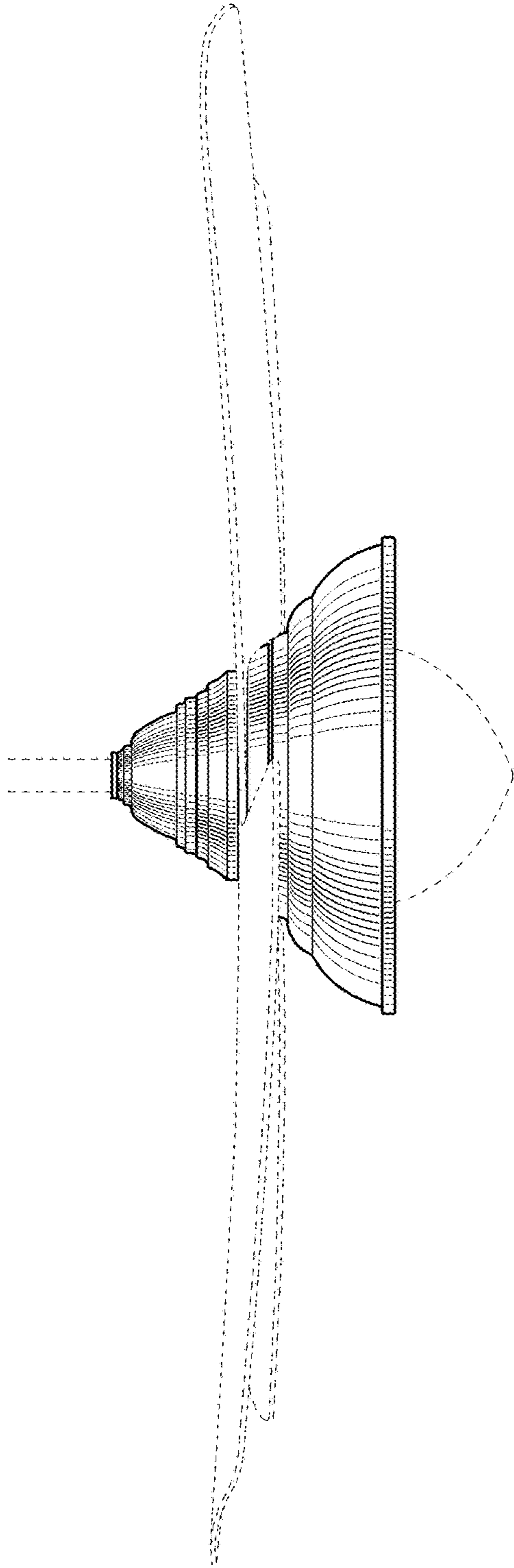


Fig. 4

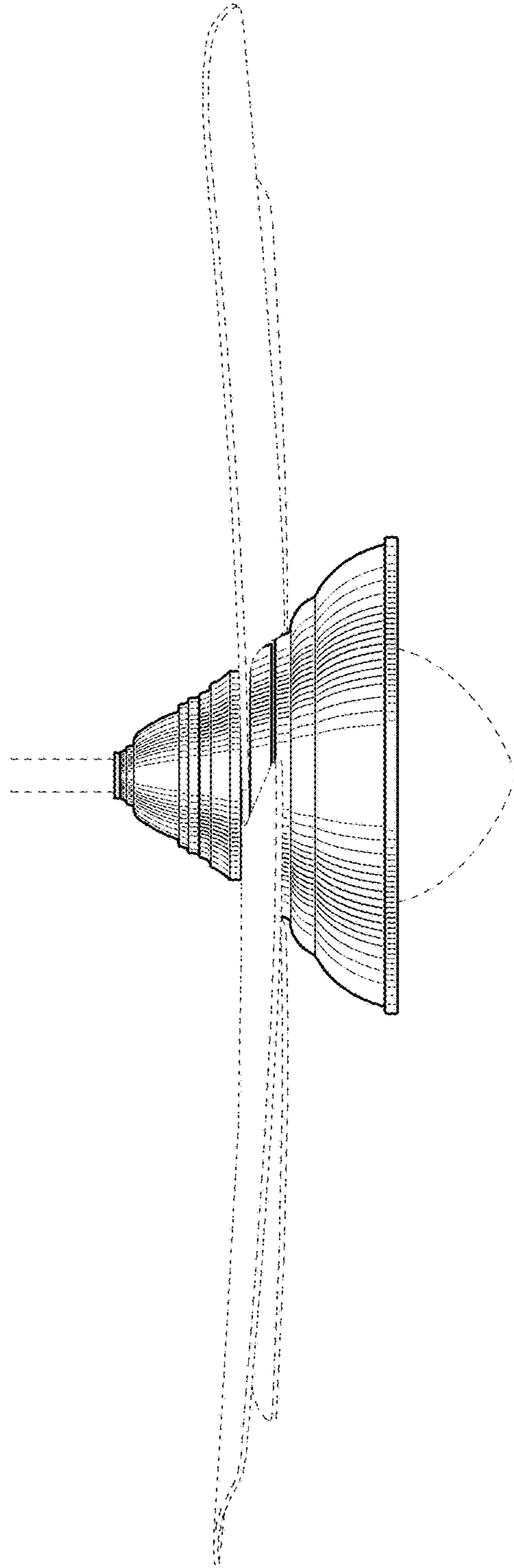


Fig. 5

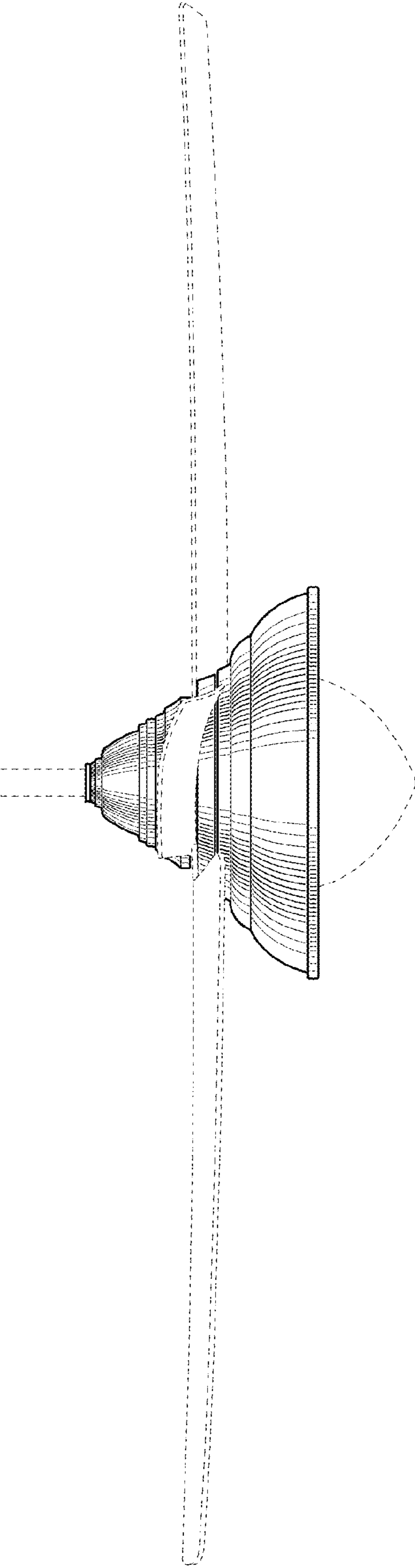


Fig.6