

US00D876611S

(12) **United States Design Patent**  
**Gajewski**

(10) **Patent No.:** **US D876,611 S**

(45) **Date of Patent:** **\*\* Feb. 25, 2020**

(54) **CEILING FAN HOUSING**

(71) Applicant: **Minka Lighting, Inc.**, Corona, CA  
(US)

(72) Inventor: **Mark Gajewski**, Henderson, NV (US)

(73) Assignee: **Minka Lighting, Inc.**, Corona, CA  
(US)

(\*\*) Term: **15 Years**

(21) Appl. No.: **29/632,435**

(22) Filed: **Jan. 8, 2018**

**Related U.S. Application Data**

(63) Continuation-in-part of application No. 29/590,089,  
filed on Jan. 6, 2017, now abandoned.

(51) **LOC (12) Cl.** ..... **23-04**

(52) **U.S. Cl.**  
USPC ..... **D23/411**

(58) **Field of Classification Search**  
USPC ... D26/59, 24, 118, 119, 121–124, 128–137;  
D23/370, 377–382, 411–414  
CPC ..... F04D 25/088; F04D 29/38; F21V 21/03;  
B63H 1/16  
See application file for complete search history.

(56) **References Cited**

**U.S. PATENT DOCUMENTS**

D451,996 S	*	12/2001	Liu	.....	D23/411
D494,267 S	*	8/2004	Burns	.....	D23/377
D529,601 S	*	10/2006	Shurtleff	.....	D23/411
D706,918 S	*	6/2014	Wang	.....	D23/411
D707,343 S	*	6/2014	Wang	.....	D23/411

D713,026 S	*	9/2014	Glasbrenner	.....	D23/411
D743,527 S	*	11/2015	Wang	.....	D23/411
D750,219 S	*	2/2016	Gajewski	.....	D23/411
D760,369 S	*	6/2016	Ertze	.....	D23/385
D773,638 S	*	12/2016	Wang	.....	D23/411
D787,039 S	*	5/2017	Badarello	.....	D23/411
D819,035 S	*	5/2018	Yang	.....	D23/411
D825,051 S	*	8/2018	Guthrie	.....	D23/411
D834,173 S	*	11/2018	Holmes	.....	D23/411
D834,697 S	*	11/2018	Gajewski	.....	D23/377
D840,018 S	*	2/2019	Badarello	.....	D23/411
D850,611 S	*	6/2019	Hidalgo	.....	D23/411
2015/0198180 A1	*	7/2015	Gajewski	.....	F04D 25/088 416/247 R

\* cited by examiner

*Primary Examiner* — Janice Hallmark

(74) *Attorney, Agent, or Firm* — Seyfarth Shaw LLP

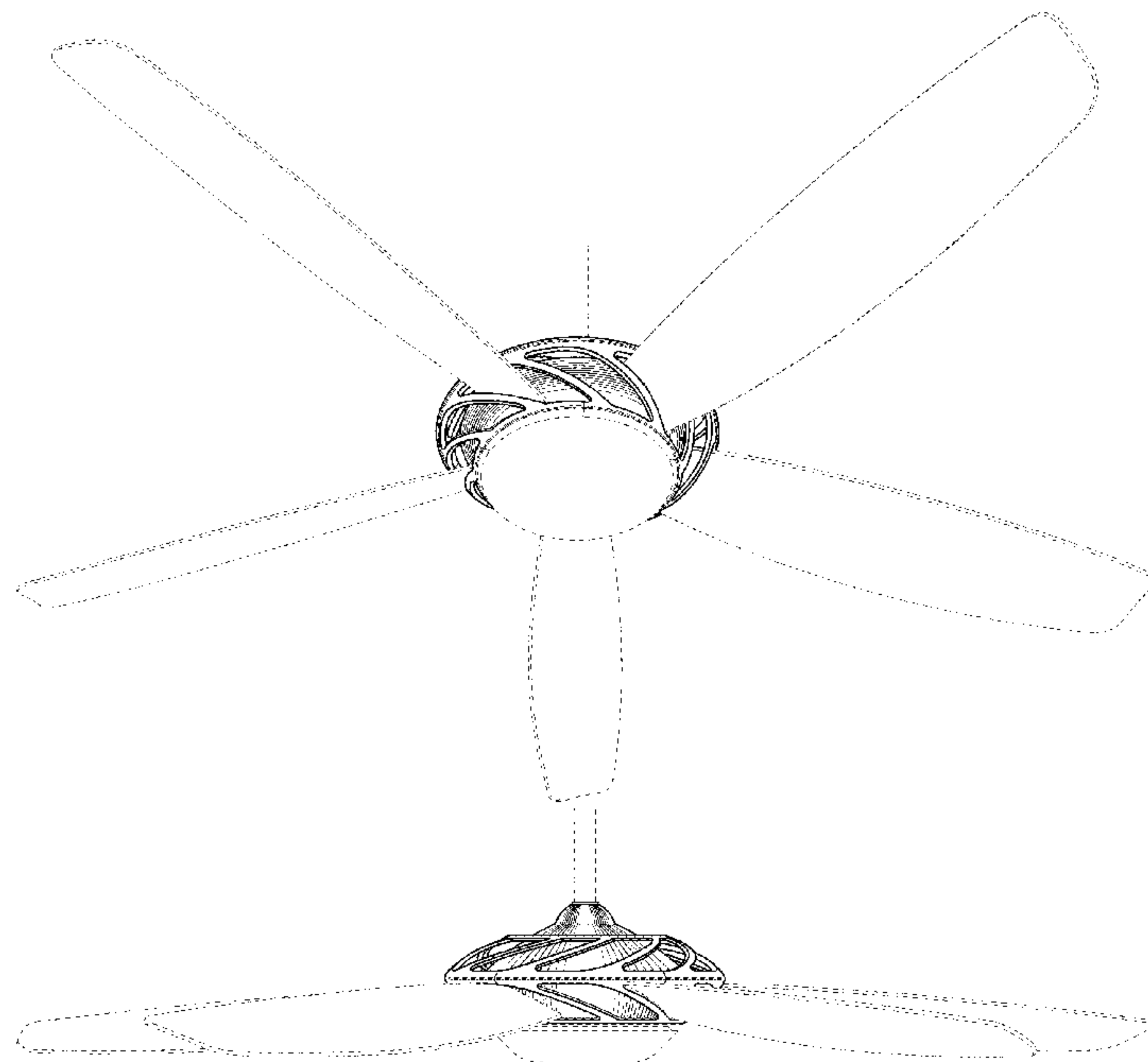
(57) **CLAIM**

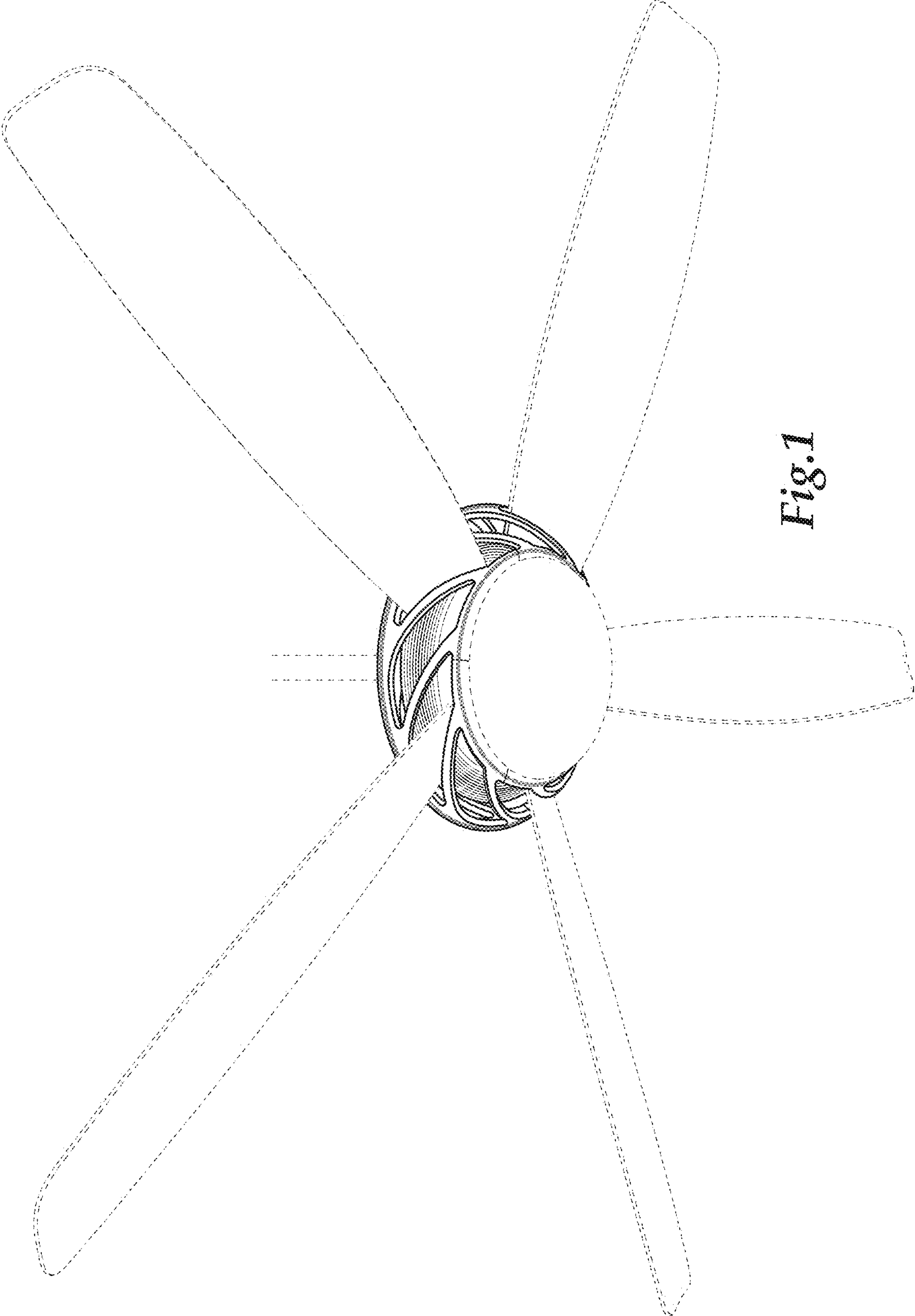
The ornamental design for a ceiling fan housing, as shown and described.

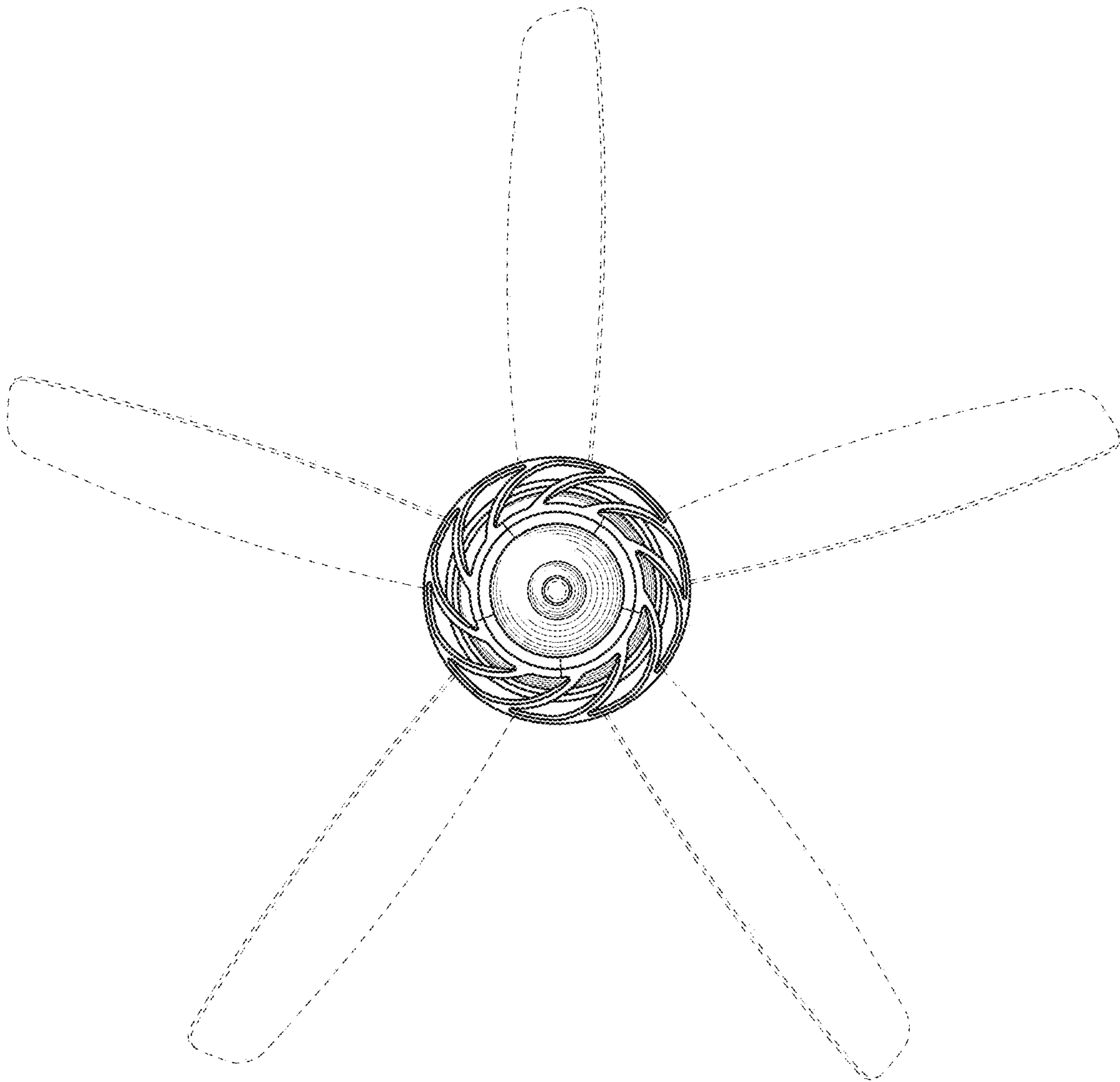
**DESCRIPTION**

FIG. 1 is a perspective view of a ceiling fan housing in accordance with my design;  
FIG. 2 is a top plan view thereof;  
FIG. 3 is a bottom plan view thereof;  
FIG. 4 is a front elevation view thereof;  
FIG. 5 is a rear elevation view thereof;  
FIG. 6 is a left-side elevation view thereof; and,  
FIG. 7 is a right-side elevation view thereof.  
The broken lines showing a ceiling fan illustrate environmental subject matter only and form no part of the claimed design.

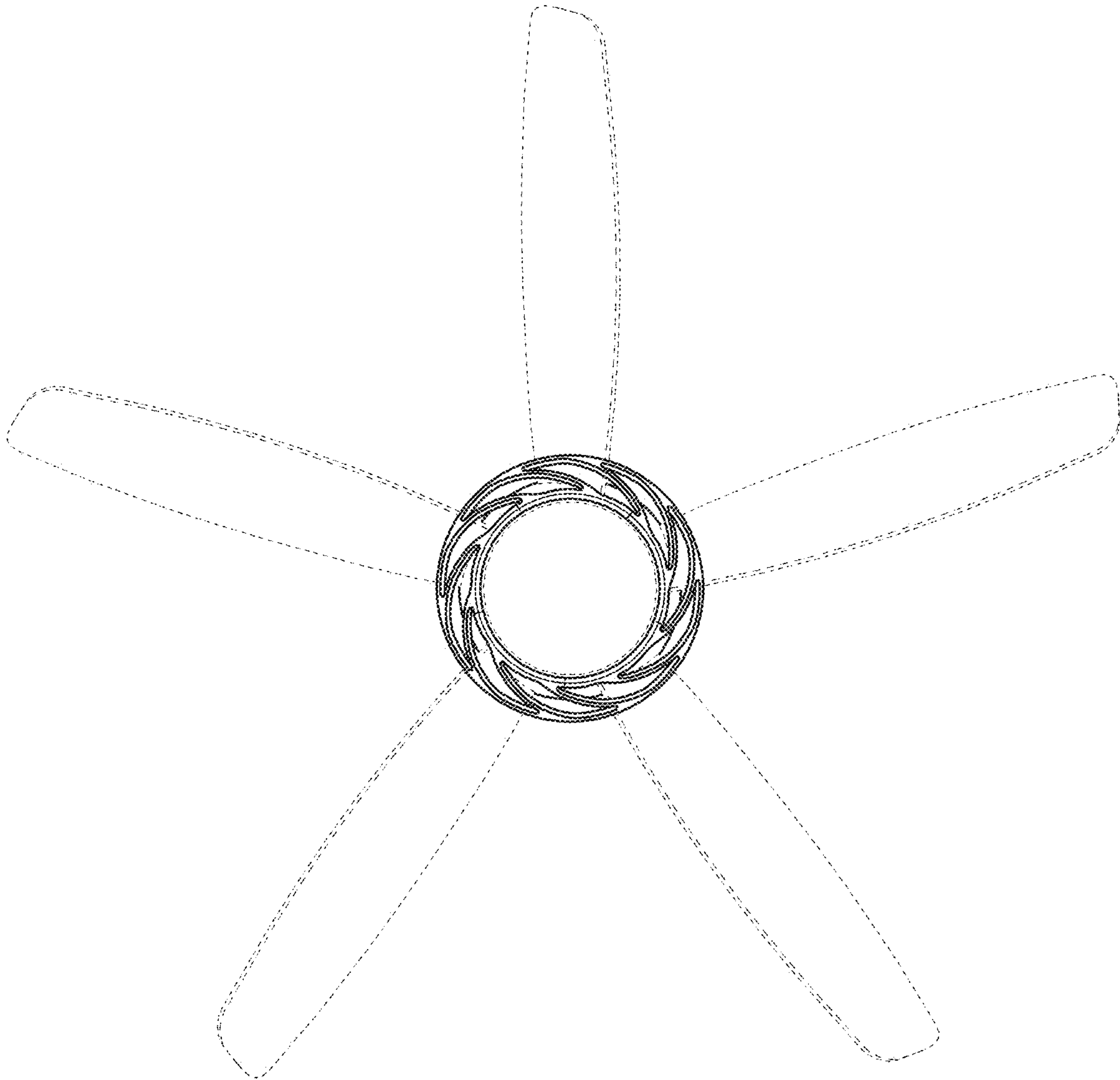
**1 Claim, 5 Drawing Sheets**



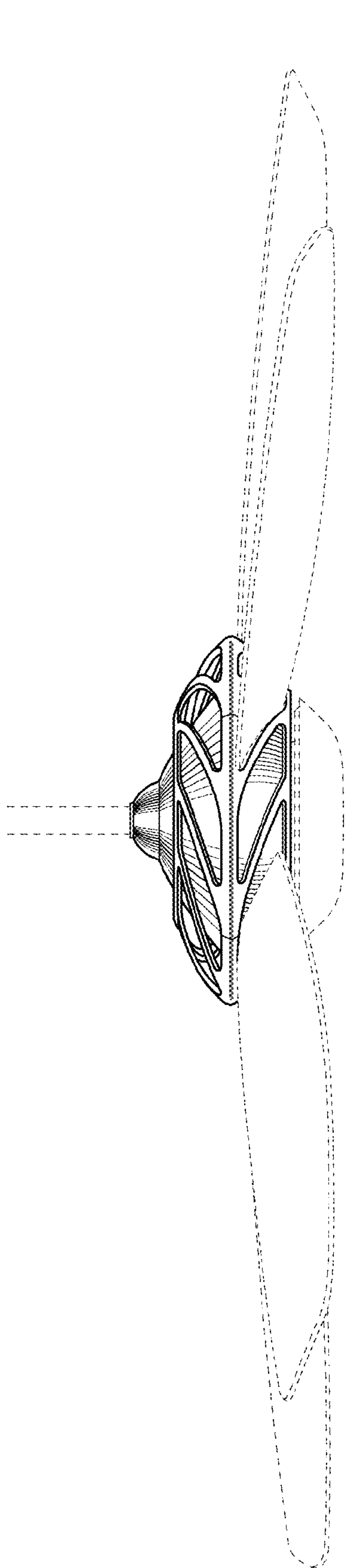




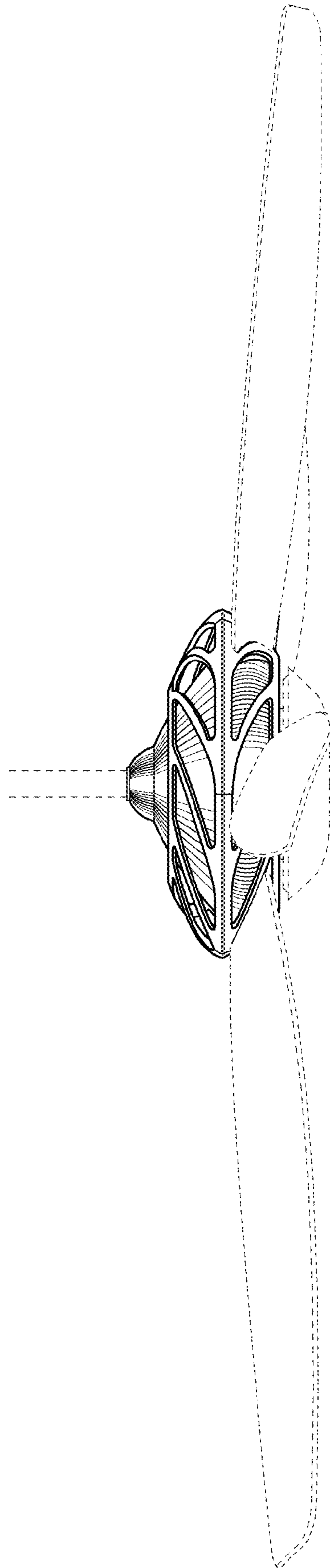
*Fig.2*



*Fig.3*

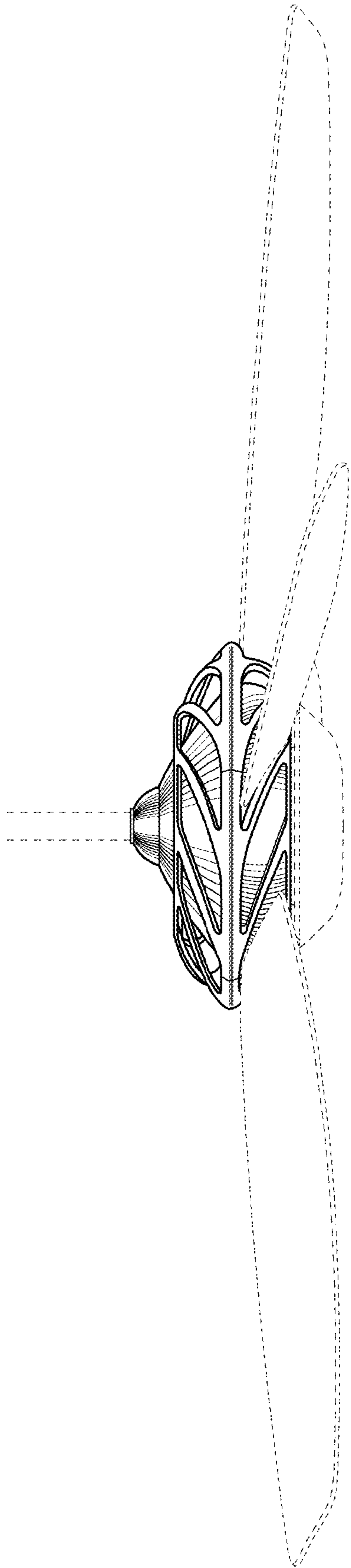


*Fig.4*

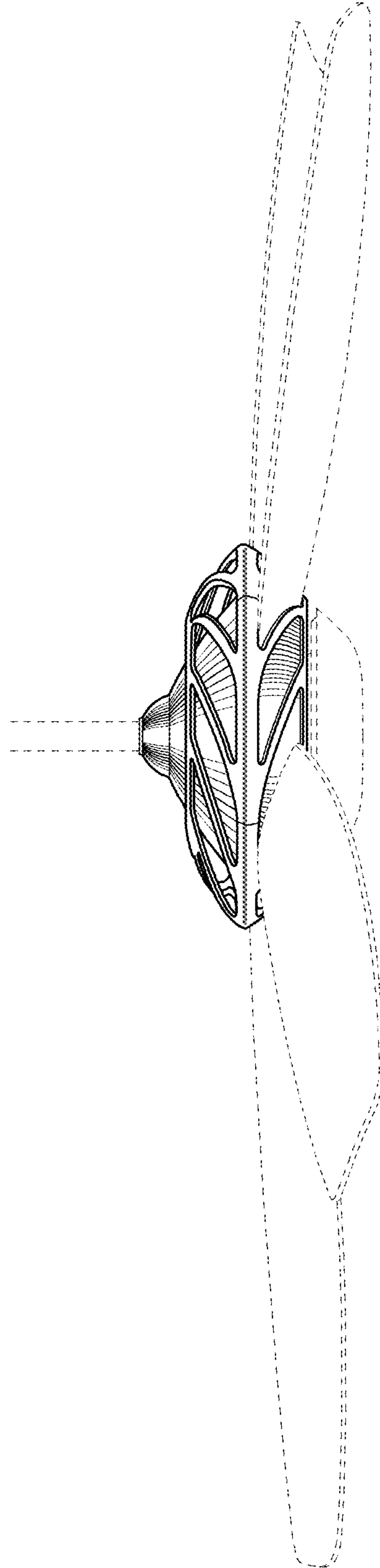


*Fig.5*





*Fig. 6*



*Fig. 7*