



US00D876609S

(12) **United States Design Patent** (10) **Patent No.:** **US D876,609 S**
O'Connell et al. (45) **Date of Patent:** **** Feb. 25, 2020**

(54) **COMBINED CEILING FAN MOTOR HOUSING AND LIGHT KIT**

(71) Applicant: **HUNTER FAN COMPANY**,
Memphis, TN (US)

(72) Inventors: **Patrick R. O'Connell**, Germantown,
TN (US); **Claire Bernice McRoberts**,
Memphis, TN (US)

(73) Assignee: **Hunter Fan Company**, Memphis, TN
(US)

(**) Term: **15 Years**

(21) Appl. No.: **29/612,219**

(22) Filed: **Jul. 31, 2017**

Related U.S. Application Data

(62) Division of application No. 29/557,301, filed on Mar.
8, 2016, now Pat. No. Des. 801,510.

(51) **LOC (12) Cl.** **23-03**

(52) **U.S. Cl.**
USPC **D23/411**; D26/59; D26/89

(58) **Field of Classification Search**
USPC D23/335-337, 355, 370-385, 411-414;
D26/59, 67, 72, 80-89, 92, 104-105, 110,
D26/113, 118-119, 128-137;
D9/500-505
CPC F04D 25/088; F21V 33/0096; F21V 21/03;
F21V 17/002; F21V 23/007; F21V 23/04;
F21V 23/0485; F21V 15/01; F21V
19/006; F21V 19/04; F21V 21/02; F21V
23/002; F21V 23/005; F21V 33/0052;
F21V 7/22

See application file for complete search history.

(56) **References Cited**

U.S. PATENT DOCUMENTS

D51,971 S * 4/1918 Murphy D26/88
1,397,453 A * 11/1921 Rekar A61N 5/06
248/124.2
D63,887 S 2/1924 Dickerson
D64,122 S * 3/1924 Mathieu D26/132
(Continued)

FOREIGN PATENT DOCUMENTS

IN 221863 9/2010
IN 221861 10/2010

OTHER PUBLICATIONS

Large Dark Grey Plant Pots Set Of Two, date posted unknown, site
visited Apr. 13, 2018, <<https://www.grahamandgreen.co.uk/large-dark-grey-plant-pots-set-of-2>>.*

(Continued)

Primary Examiner — Cathron C Brooks

Assistant Examiner — Sharon S Oum

(74) *Attorney, Agent, or Firm* — McGarry Bair PC

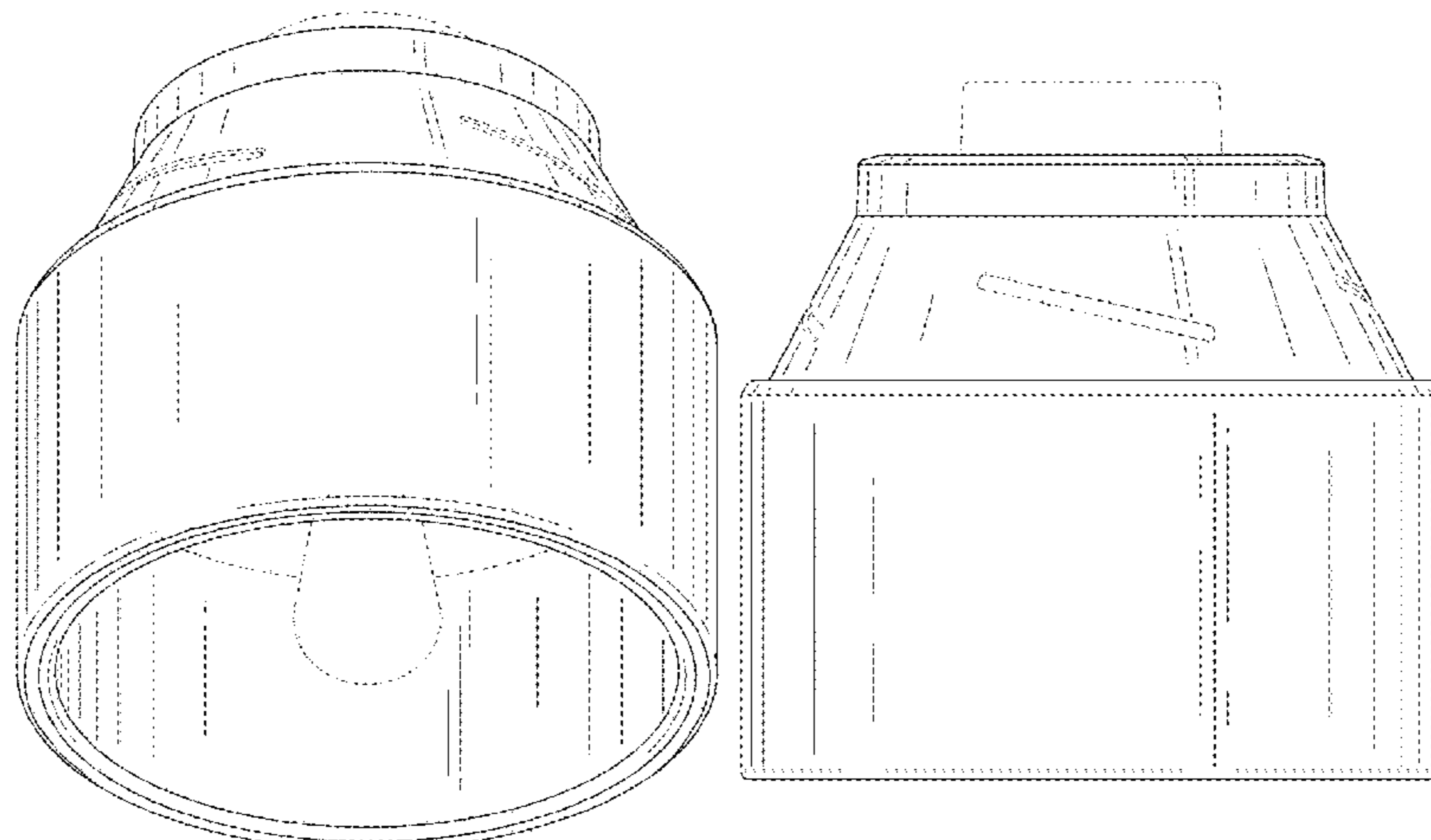
(57) **CLAIM**

The ornamental design for a combined ceiling fan motor housing and light kit, as shown and described.

DESCRIPTION

FIG. 1 is a top perspective view of a combined ceiling fan motor housing and light kit;
FIG. 2 is a bottom perspective view of the combined ceiling fan motor housing and light kit of FIG. 1;
FIG. 3 is a top view of the combined ceiling fan motor housing and light kit of FIG. 1;
FIG. 4 is a bottom view of the combined ceiling fan motor housing and light kit of FIG. 1; and,
FIG. 5 is a front side view of the combined ceiling fan motor housing and light kit of FIG. 1 with rear, left, and right side views being mirror images thereof.
The broken lines illustrate portions of the combined ceiling fan motor housing and light kit and form no part of the claimed design.

1 Claim, 3 Drawing Sheets



(56)

References Cited

U.S. PATENT DOCUMENTS

D84,909 S * 8/1931 Winkler D26/72
 D84,930 S * 8/1931 Glatthar D26/86
 D94,780 S * 3/1935 Strahmann D26/101
 D100,981 S * 8/1936 Biller D26/129
 2,962,583 A * 11/1960 Balsler F21V 31/00
 3,040,993 A * 6/1962 Schultz F21V 13/00
 D213,902 S * 4/1969 Muller D26/64
 3,480,148 A * 11/1969 Bryand B04B 7/08
 3,725,714 A * 4/1973 Anderson H01J 61/86
 D234,221 S * 1/1975 Upchurch D11/144
 D246,796 S 12/1977 Laymon et al.
 4,073,598 A 2/1978 Mizutani et al.
 4,281,370 A * 7/1981 Masenheimer F21S 8/033
 D277,511 S * 2/1985 Patel D26/63
 D283,054 S * 3/1986 Altman D26/24
 4,683,523 A * 7/1987 Olsson F21V 31/00
 D293,029 S * 12/1987 Shwisha D26/60
 5,077,825 A * 12/1991 Monroe F04D 25/088
 D333,529 S * 2/1993 Denison D26/63
 D341,419 S 11/1993 Taylor, III
 D344,130 S 2/1994 Craig
 D353,904 S * 12/1994 Swanson D26/102
 D361,148 S * 8/1995 Wedell D26/63
 5,649,761 A * 7/1997 Sandell F21V 17/02
 D388,871 S 1/1998 Gee, II
 D414,857 S 10/1999 Zuege
 D420,120 S 2/2000 Evans
 D431,092 S * 9/2000 Hiller D26/118
 D438,951 S 3/2001 Dolan
 D441,486 S * 5/2001 Hsing D26/87
 D465,867 S * 11/2002 Ward D26/63
 D497,226 S * 10/2004 Nauert 119/57.9
 D499,502 S * 12/2004 Kelley D26/67
 D519,200 S 4/2006 Young
 D530,004 S 10/2006 Curtin
 D535,014 S 1/2007 Pickett
 D546,994 S * 7/2007 Wachter D26/63
 D549,315 S 8/2007 Gajewski
 D553,787 S * 10/2007 Hammond D26/88
 D557,787 S 12/2007 Gajewski
 D564,120 S * 3/2008 Layne D26/63
 D576,340 S 9/2008 Wanders
 7,484,863 B1 * 2/2009 Aubrey F21V 13/04
 D599,473 S 9/2009 Klausning et al.

D599,474 S 9/2009 Klausning et al.
 D601,240 S 9/2009 Klausning et al.
 7,699,487 B2 * 4/2010 Schafer F21S 6/006
 D620,188 S * 7/2010 Sabernig D26/118
 D622,895 S * 8/2010 Lyons D26/118
 D627,873 S * 11/2010 Pan D23/411
 D628,688 S 12/2010 Pan
 D631,598 S * 1/2011 Kondo D26/120
 D632,780 S 2/2011 Pan
 D635,710 S * 4/2011 Jean D26/120
 D716,436 S 10/2014 Johnson
 D744,082 S * 11/2015 Wang D23/411
 D760,368 S 6/2016 Chen
 D801,510 S * 10/2017 O'Connell D23/377
 D810,915 S * 2/2018 Guthrie D23/377

OTHER PUBLICATIONS

<http://www.minkagroup.net/products/f582-gl>, Rainman, F582-GL, accessed Mar. 8, 2016.
<http://www.montecarlofans.com/38110/52-Nikki---Polished-Nickel-5NKR52PND.html>, 52" Nikki—Polished Nickel, 5NKR52PND, accessed Mar. 8, 2016.
<http://www.montecarlofans.com/32989/52-Morton-Oil-Can--5MB52OND.html>, 52" Morton—Oil Can, 5MB52OND, accessed Mar. 8, 2016.
<http://www.hunterfan.com/Ceiling-Fans/Landsdowne?ModelNumber=59172>, Landsdown—52" Ceiling Fan, 59172, accessed Mar. 8, 2016.
<http://www.craftmade.com/Craftmade-KAP54BNK3-Nickel-Ceiling-Fan.HTM>, Craftmade—KAP54BNK3—Kapiz 54" Ceiling Fan Blades Included in Brushed Polished Nickel with Capiz Shell, KAP54BNK3, accessed Mar. 8, 2016.
 Hampton Bay Marlton 52 In. Oil Rubbed Bron 17x52wx52d Rubbed Bronze, date first available Oct. 5, 2012, amazon.com, site visited Jun. 22, 2017, Copyright © 1996-2017, Available from Internet, <https://www.amazon.com/Marlton-Oil-Rubbed-Bron-Bronze/dp/B009M9AJPQ/ref=sr_1_1?ie=UTF8&qid=1498142645&sr=8-1&keywords=hampton+bay+marlton>.
 Adding a Drum Shade to a Ceiling Fan, date first available Jan. 14, 2013, westermanfam.blogspot.com, site visited Jun. 22, 2017, Available from Internet, <<http://westermanfam.blogspot.com/2013/01/adding-drum-shade-to-ceiling-fan.html>>.
 Craftmade P760GTPAB1 1 Light Mini Pendant Incandescent, Gold Twilight/Patina Aged Brass, date first available Mar. 2, 2017, amazon.com, site visited Jun. 22, 2017, Available from Internet, <https://www.amazon.com/Craftmade-P760GTPAB1-Pendant-Incandescent-Twilight/dp/B06XDM88W2/ref=sr_1_1?s=hi&ie=UTF8&qid=1498066588&sr=1-1&keywords=craftmade+1+Light>.

* cited by examiner

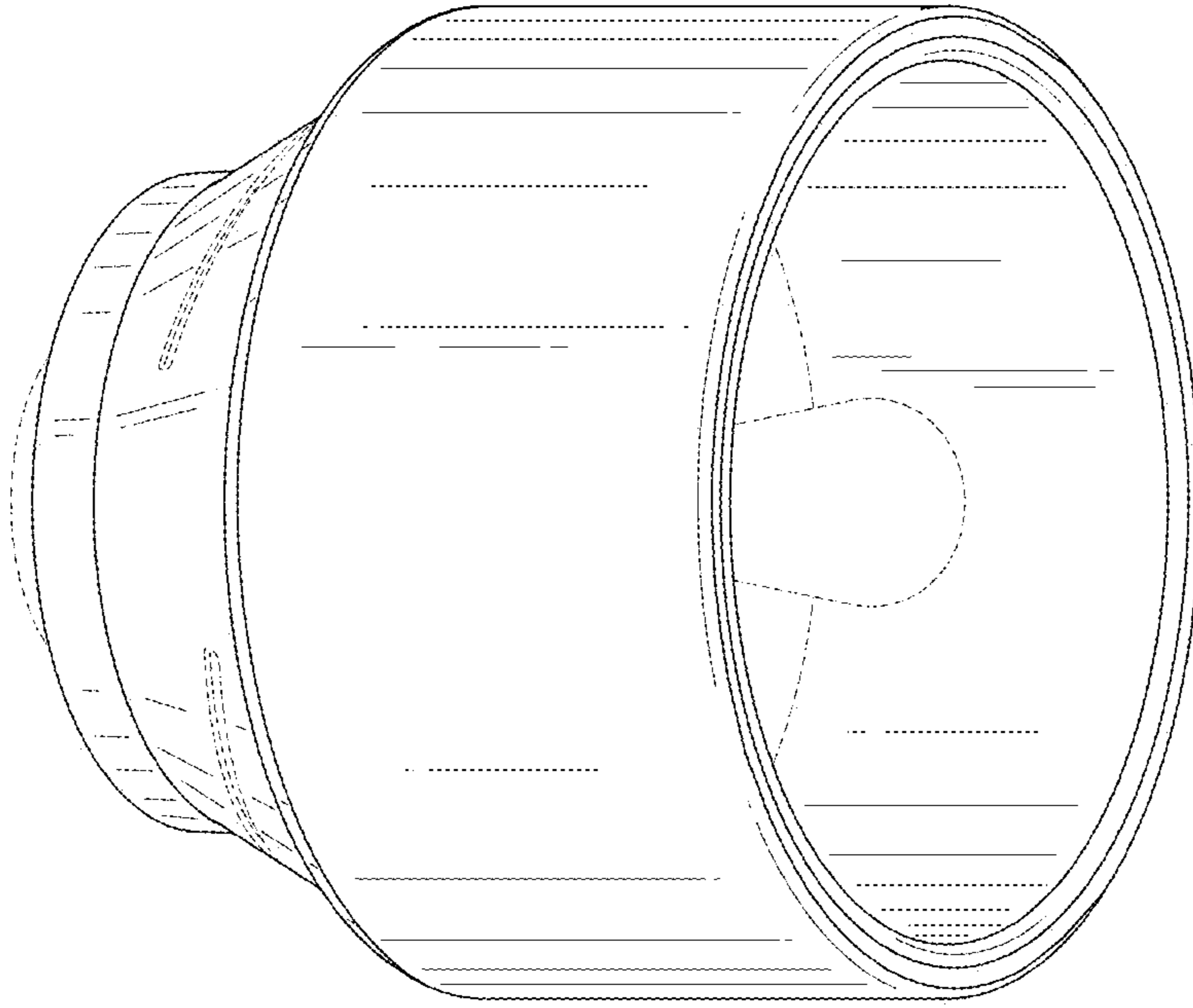


FIG. 2

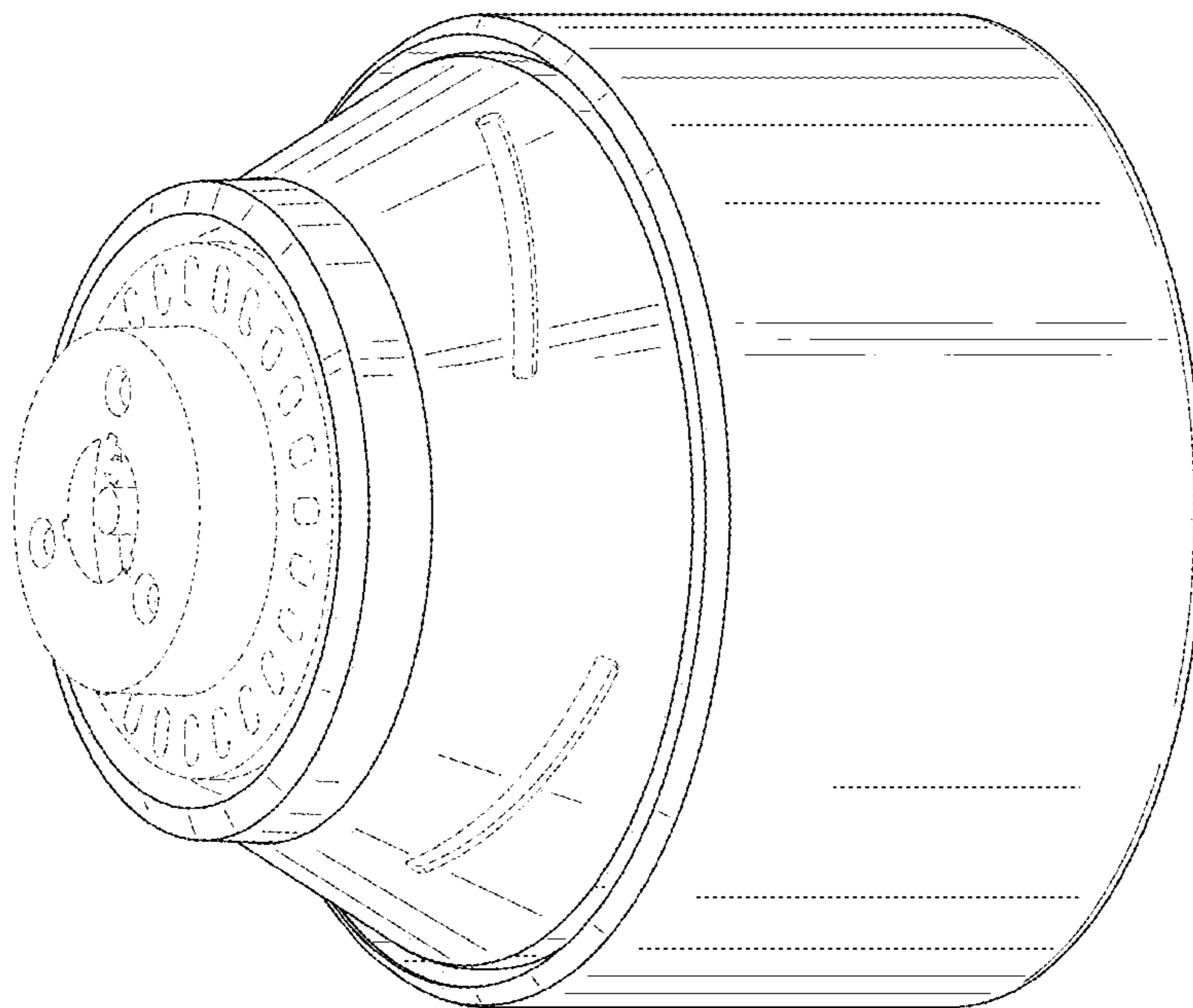


FIG. 1

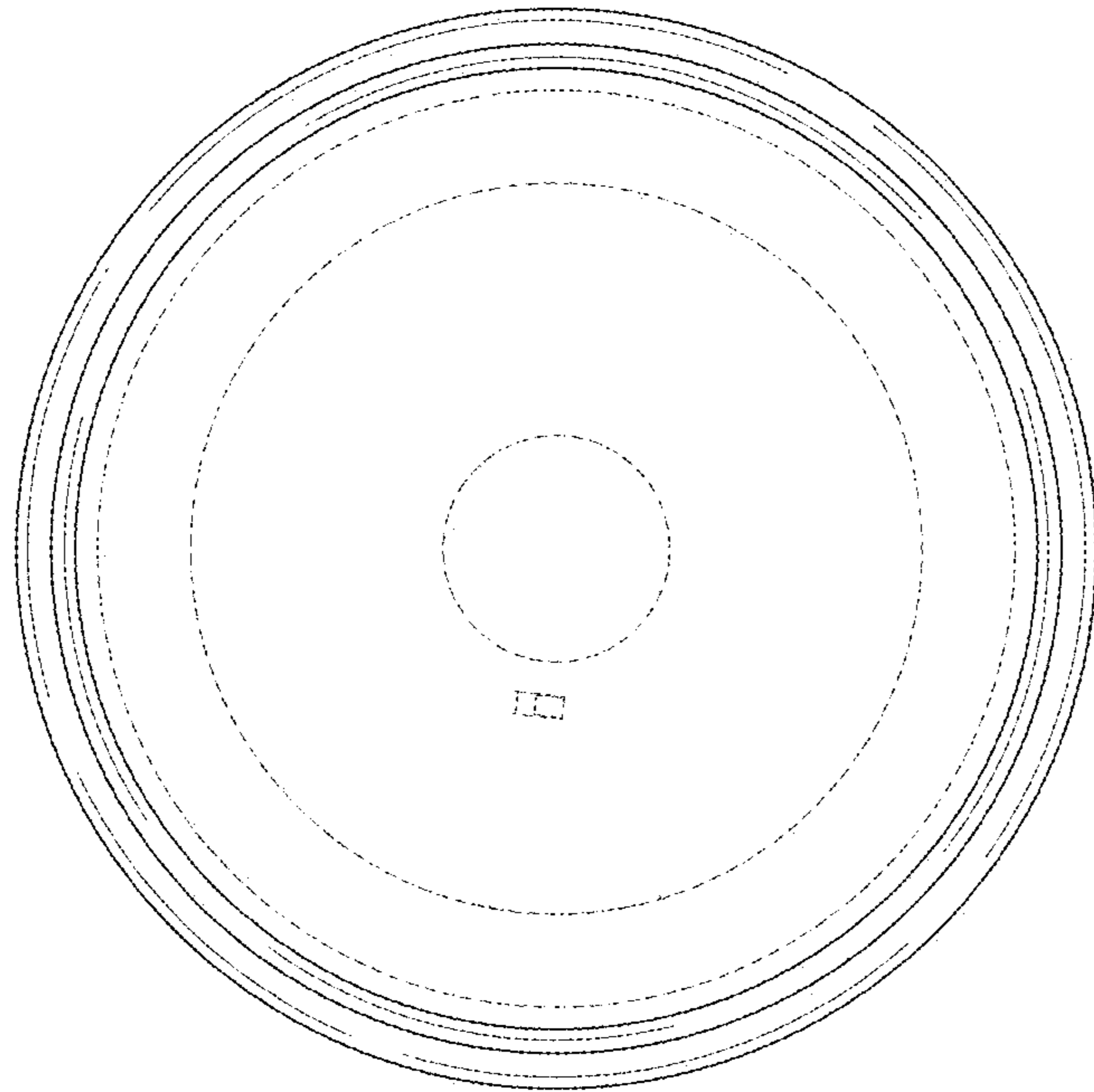


FIG. 4

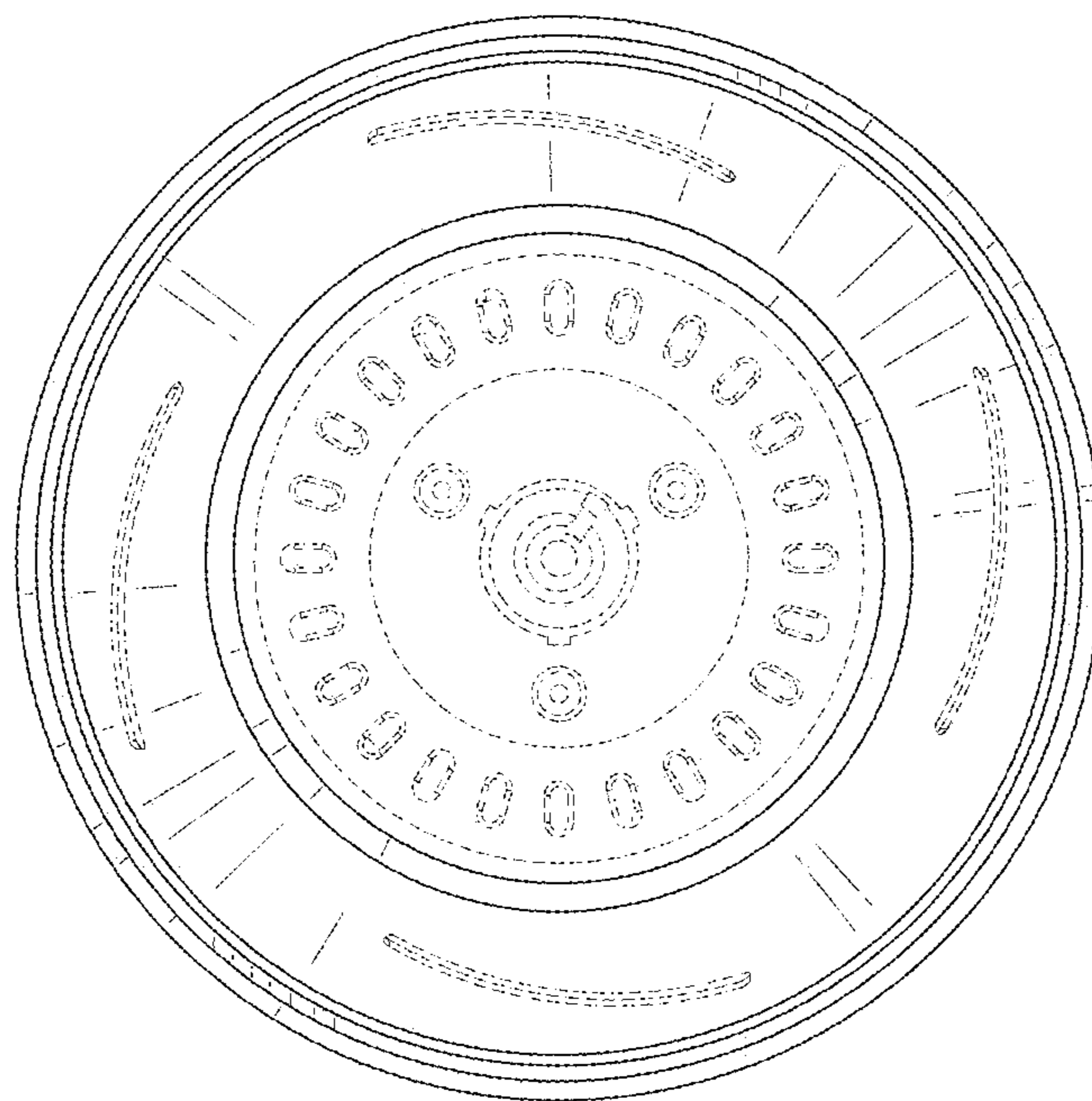


FIG. 3

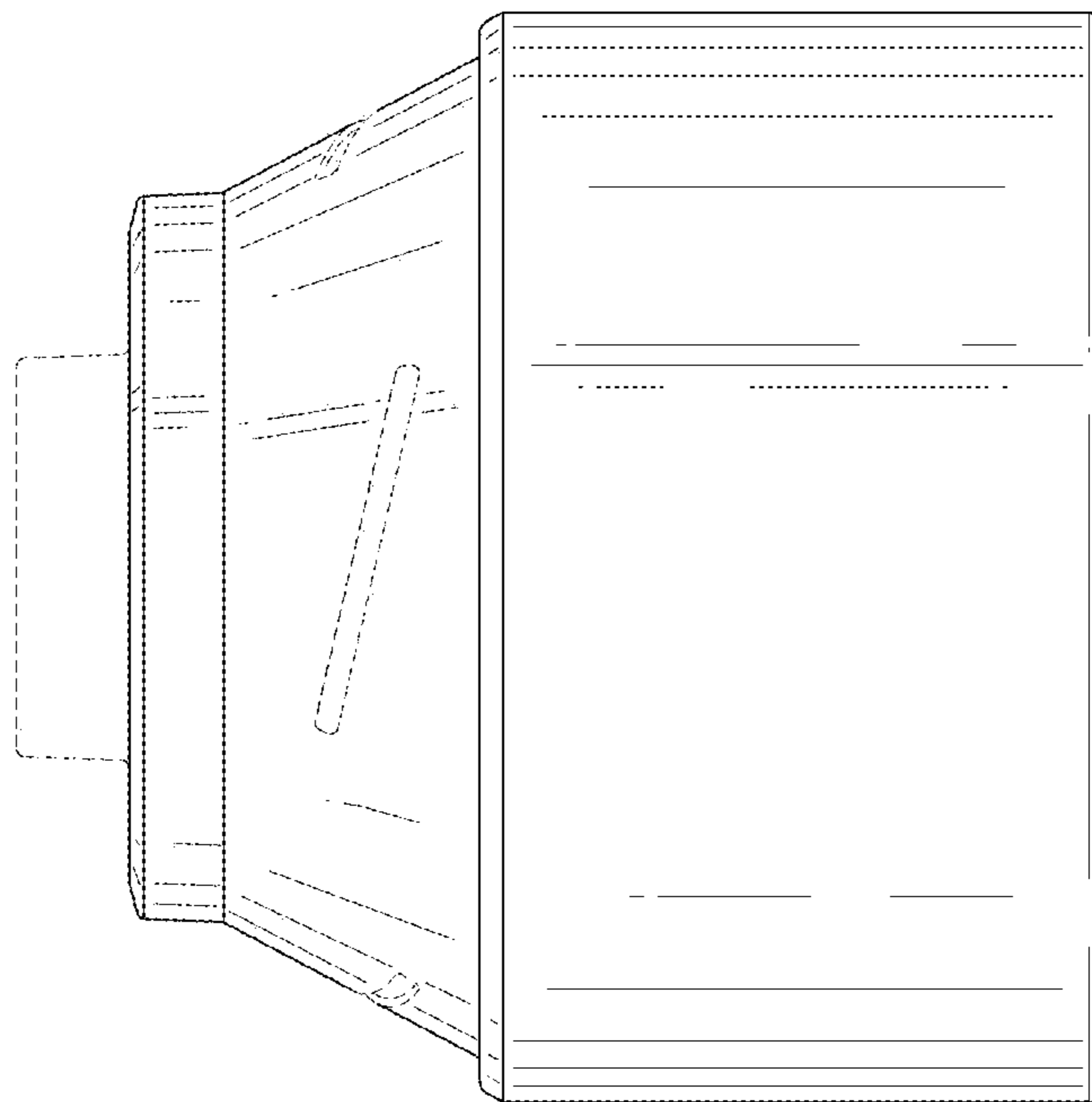


FIG. 5