



US00D876604S

(12) **United States Design Patent** (10) **Patent No.:** **US D876,604 S**
Kim et al. (45) **Date of Patent:** **** Feb. 25, 2020**

(54) **AIR MULTIPLIER FAN** D728,769 S * 5/2015 Dyson D23/342
D729,372 S * 5/2015 McPherson D23/370
(71) Applicant: **LG ELECTRONICS INC.**, Seoul D729,376 S * 5/2015 McPherson D23/370
(KR) D729,925 S * 5/2015 McPherson D23/370
D768,839 S * 10/2016 Peet D23/370
(72) Inventors: **Sora Kim**, Seoul (KR); **Kyoungjin Ku**, D768,842 S * 10/2016 Peet D23/370
Seoul (KR); **Hangjin Ban**, Seoul (KR); D783,140 S * 4/2017 Poulton D23/370
Chohee Oh, Seoul (KR) D783,142 S * 4/2017 Poulton D23/370
D783,143 S * 4/2017 Poulton D23/370
D790,678 S * 6/2017 Chang D23/351
(73) Assignee: **LG ELECTRONICS INC.**, Seoul D790,681 S * 6/2017 Poulton D23/370
(KR) D818,570 S * 5/2018 Kim D23/370
D841,796 S * 2/2019 Freeland D23/382

(**) Term: **15 Years** * cited by examiner

(21) Appl. No.: **35/506,415**

Primary Examiner — Khawaja Anwar

(22) Filed: **Sep. 13, 2018**

(74) *Attorney, Agent, or Firm* — Birch, Stewart, Kolasch & Birch, LLP

(80) **Hague Agreement Data**

Int. Filing Date: **Sep. 13, 2018**
Int. Reg. No.: **DM/103708**
Int. Reg. Date: **Sep. 13, 2018**
Int. Reg. Pub. Date: **Mar. 15, 2019**

(57) **CLAIM**

The ornamental design for an air multiplier fan, as shown and described.

(30) **Foreign Application Priority Data**

Mar. 23, 2018 (KR) 30-2018-0014070

(51) **LOC (12) Cl.** **23-04**

DESCRIPTION

(52) **U.S. Cl.**
USPC **D23/370**

(58) **Field of Classification Search**
USPC D23/336, 337, 342, 355, 356, 385, 386
CPC ... F24F 11/30; F24F 11/62; F24F 7/04; F28D
15/0233; F28D 15/0275
See application file for complete search history.

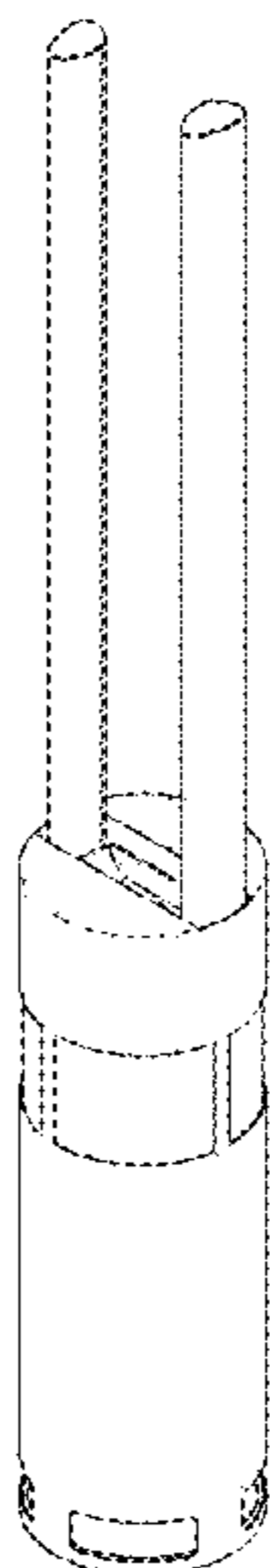
- 1. Air multiplier fan
- 1.1 : Perspective
- 1.2 : Front
- 1.3 : Back
- 1.4 : Left
- 1.5 : Right
- 1.6 : Top
- 1.7 : Bottom

(56) **References Cited**

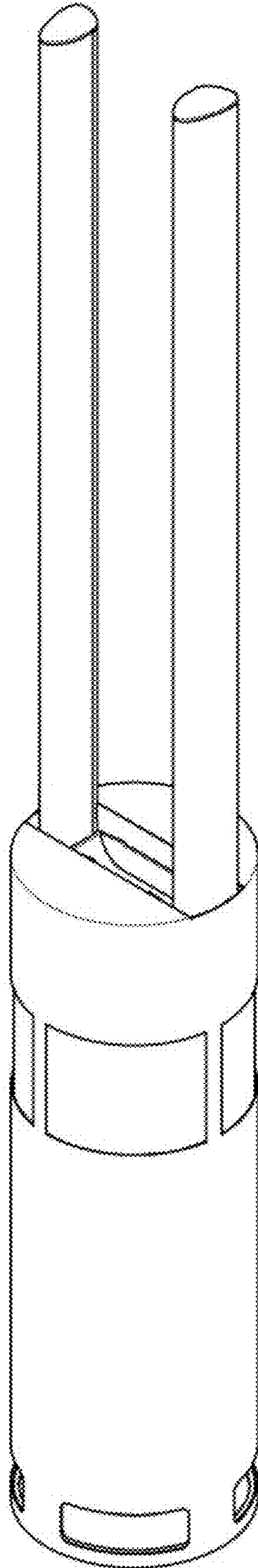
U.S. PATENT DOCUMENTS

D602,144 S * 10/2009 Dyson F04F 5/16
D23/370
D672,023 S * 12/2012 Wallace D23/332
D728,092 S * 4/2015 Poulton D23/342

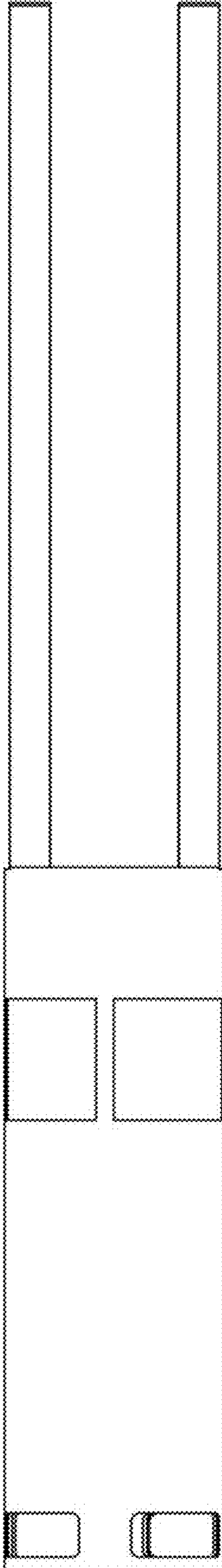
1 Claim, 7 Drawing Sheets



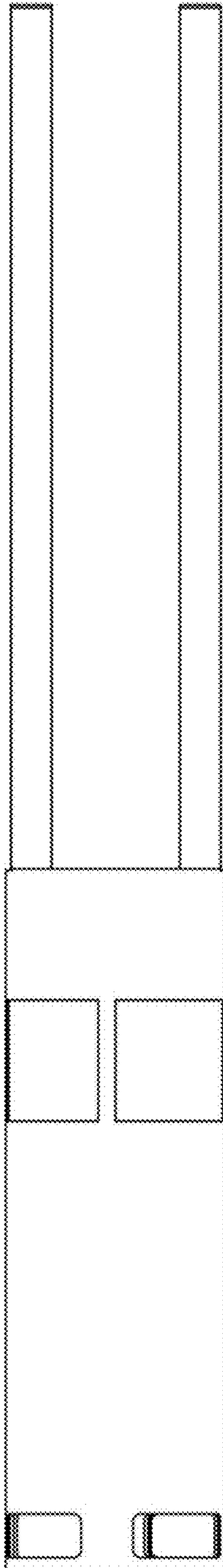
1.1



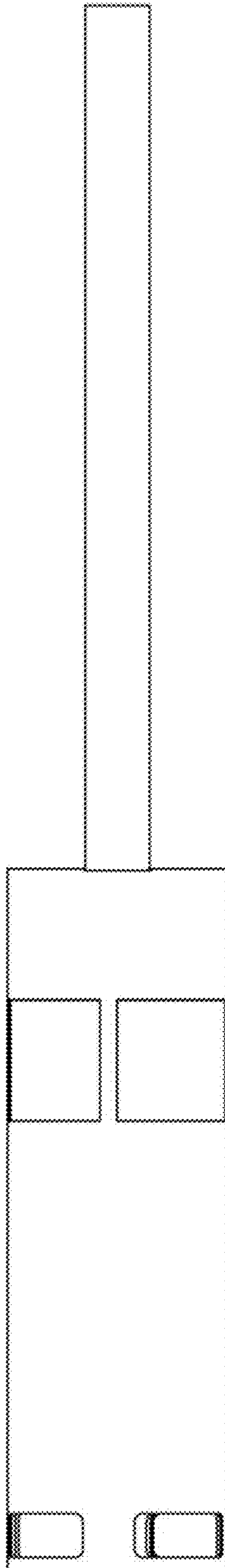
1.2



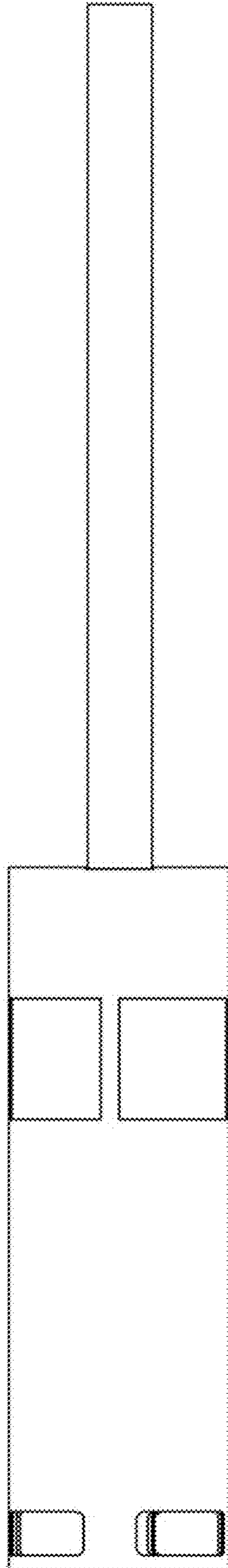
1.3



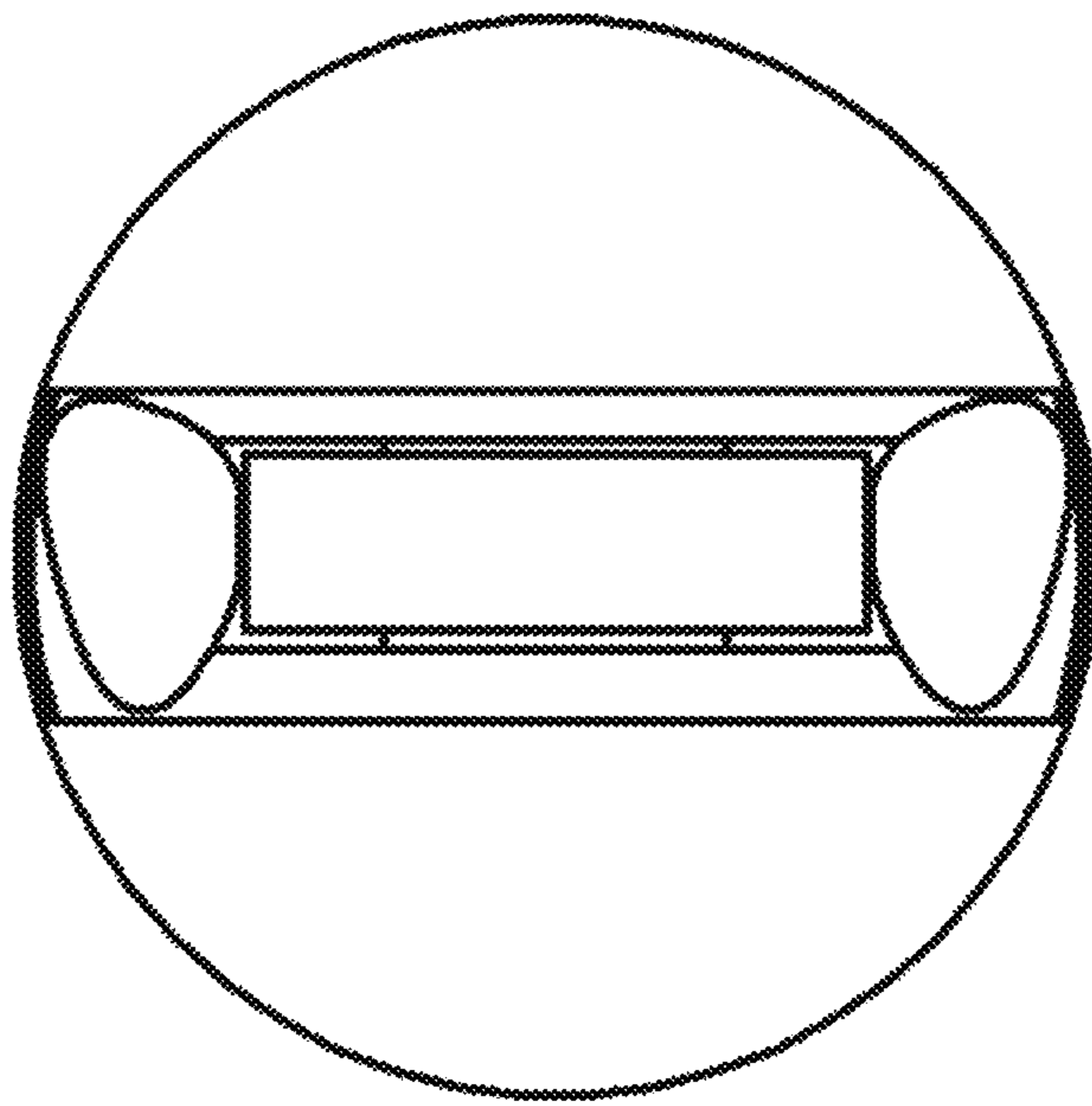
1.4



1.5



1.6



1.7

