



US00D876601S

(12) **United States Design Patent**
Li

(10) **Patent No.:** **US D876,601 S**

(45) **Date of Patent:** **** Feb. 25, 2020**

(54) **AROMATHERAPY MACHINE COVER**

(71) Applicant: **Kaiqiong Li**, Sichuan (CN)

(72) Inventor: **Kaiqiong Li**, Sichuan (CN)

(**) Term: **15 Years**

(21) Appl. No.: **29/677,550**

(22) Filed: **Jan. 22, 2019**

(51) **LOC (12) Cl.** **23-04**

(52) **U.S. Cl.**
USPC **D23/366**; D23/386

(58) **Field of Classification Search**
USPC D23/208, 355-369, 386
CPC A61L 9/02; A61L 9/03; A61L 9/12; A61L
9/035; A61L 9/125
See application file for complete search history.

(56) **References Cited**

U.S. PATENT DOCUMENTS

D810,261 S *	2/2018	Chen	D23/366
D810,262 S *	2/2018	Lu	D23/366
D811,570 S *	2/2018	Tang	D23/356
D812,210 S *	3/2018	Tang	D23/366
9,914,145 B2 *	3/2018	Osborn	F21V 29/67
D824,010 S *	7/2018	Lu	D23/366
D825,731 S *	8/2018	Hou	D23/366
D832,415 S *	10/2018	Lu	D23/366

D836,188 S *	12/2018	Li	D23/356
D851,227 S *	6/2019	Chen	D23/356
D857,870 S *	8/2019	Yang	F21V 29/67
				D23/366
D859,626 S *	9/2019	Hu	D23/366
D862,677 S *	10/2019	Li	D23/366

* cited by examiner

Primary Examiner — Sheryl Lane

Assistant Examiner — Calvin E Vansant

(74) *Attorney, Agent, or Firm* — Wayne & Ken, LLC;
Tony Hom

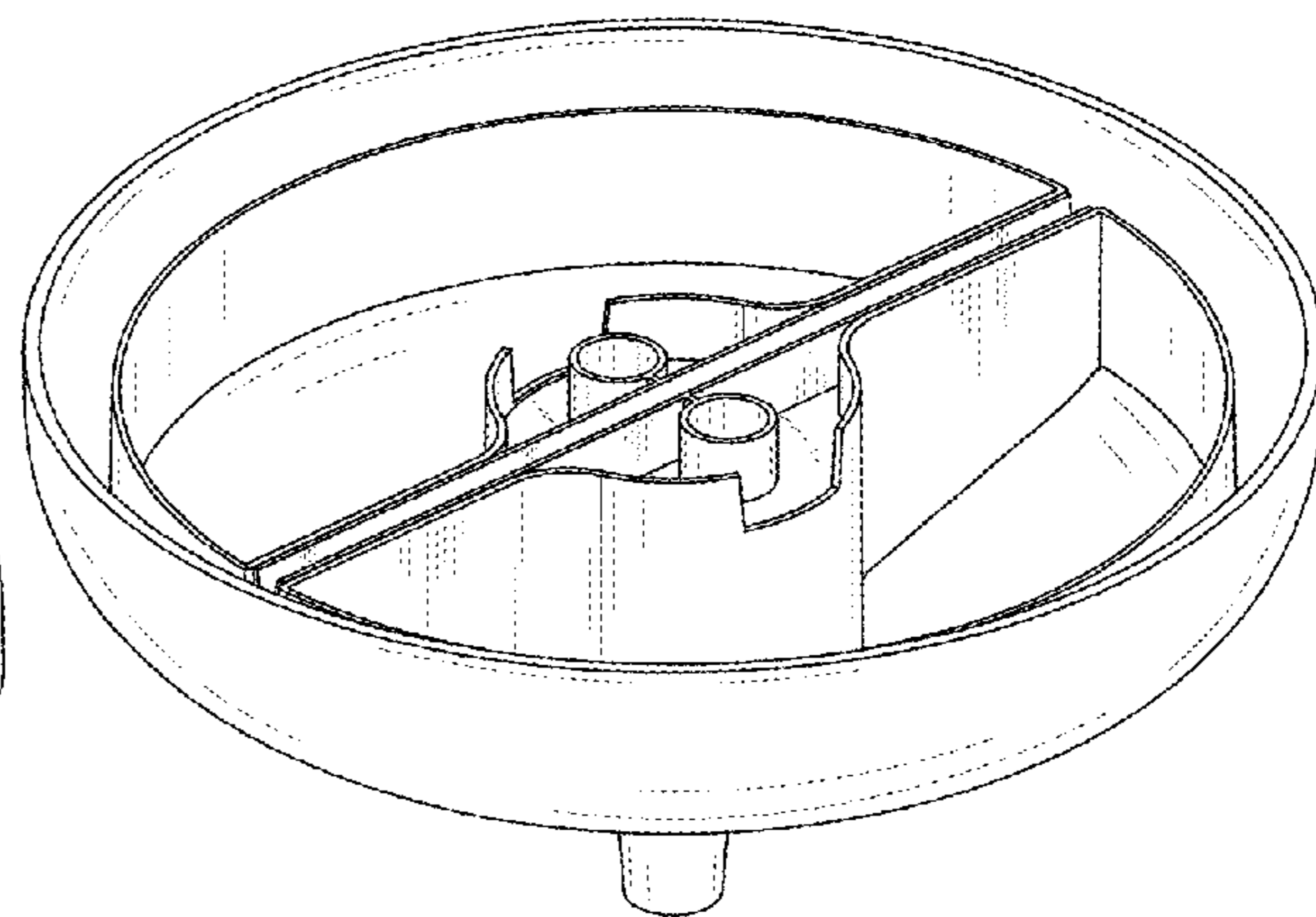
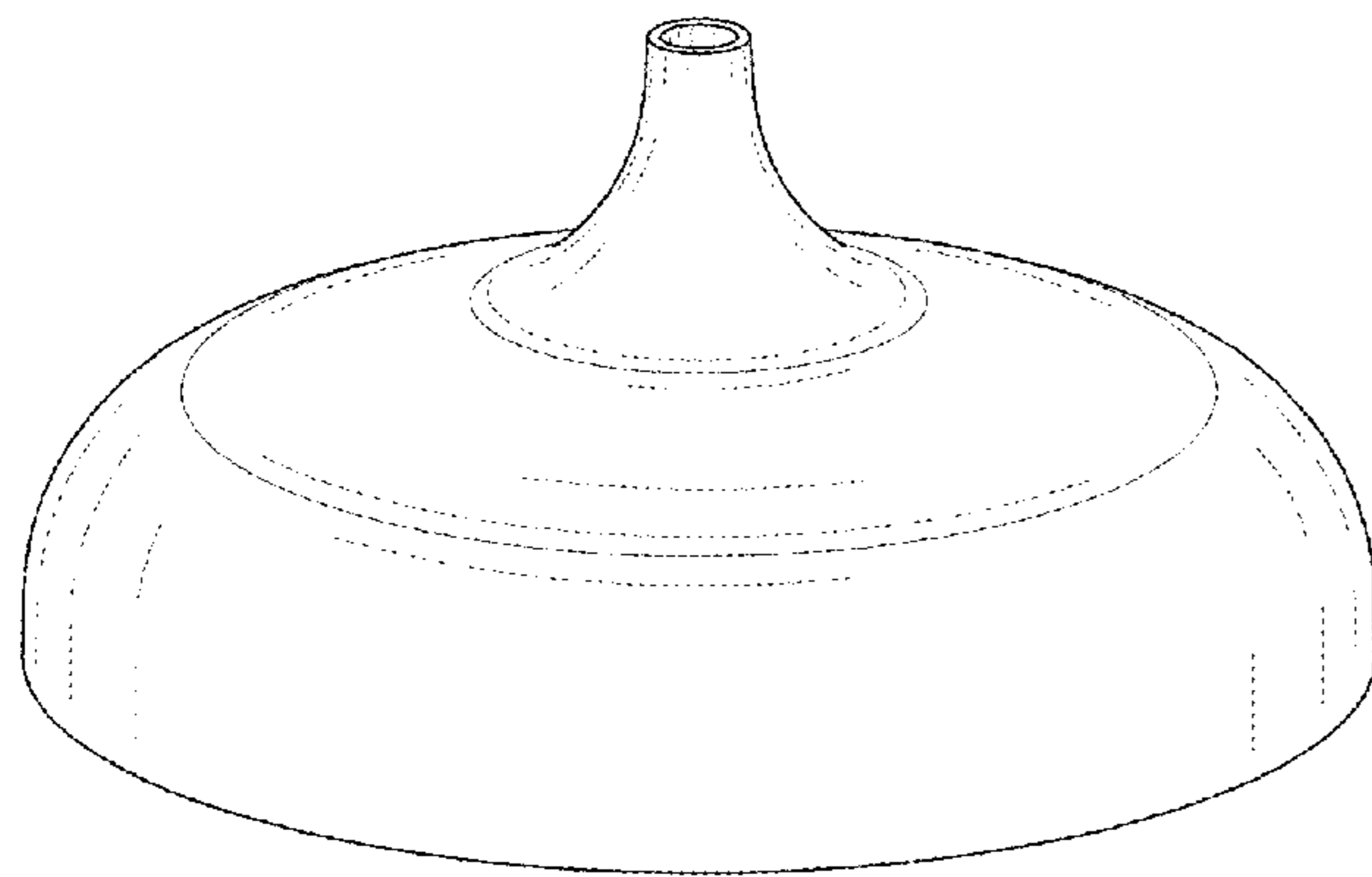
(57) **CLAIM**

The ornamental design for an aromatherapy machine cover, as shown and described.

DESCRIPTION

FIG. 1 is a front elevation view of an aromatherapy machine cover showing my new design;
FIG. 2 is a rear elevation view thereof;
FIG. 3 is a left elevation view thereof;
FIG. 4 is a right elevation view thereof;
FIG. 5 is a top plan view thereof;
FIG. 6 is a bottom plan view thereof;
FIG. 7 is a perspective view thereof;
FIG. 8 is a another perspective view thereof; and,
FIG. 9 is a perspective view thereof after being installed.
The broken lines are for exemplary illustrative purposes only and form no part of the claimed design.

1 Claim, 6 Drawing Sheets



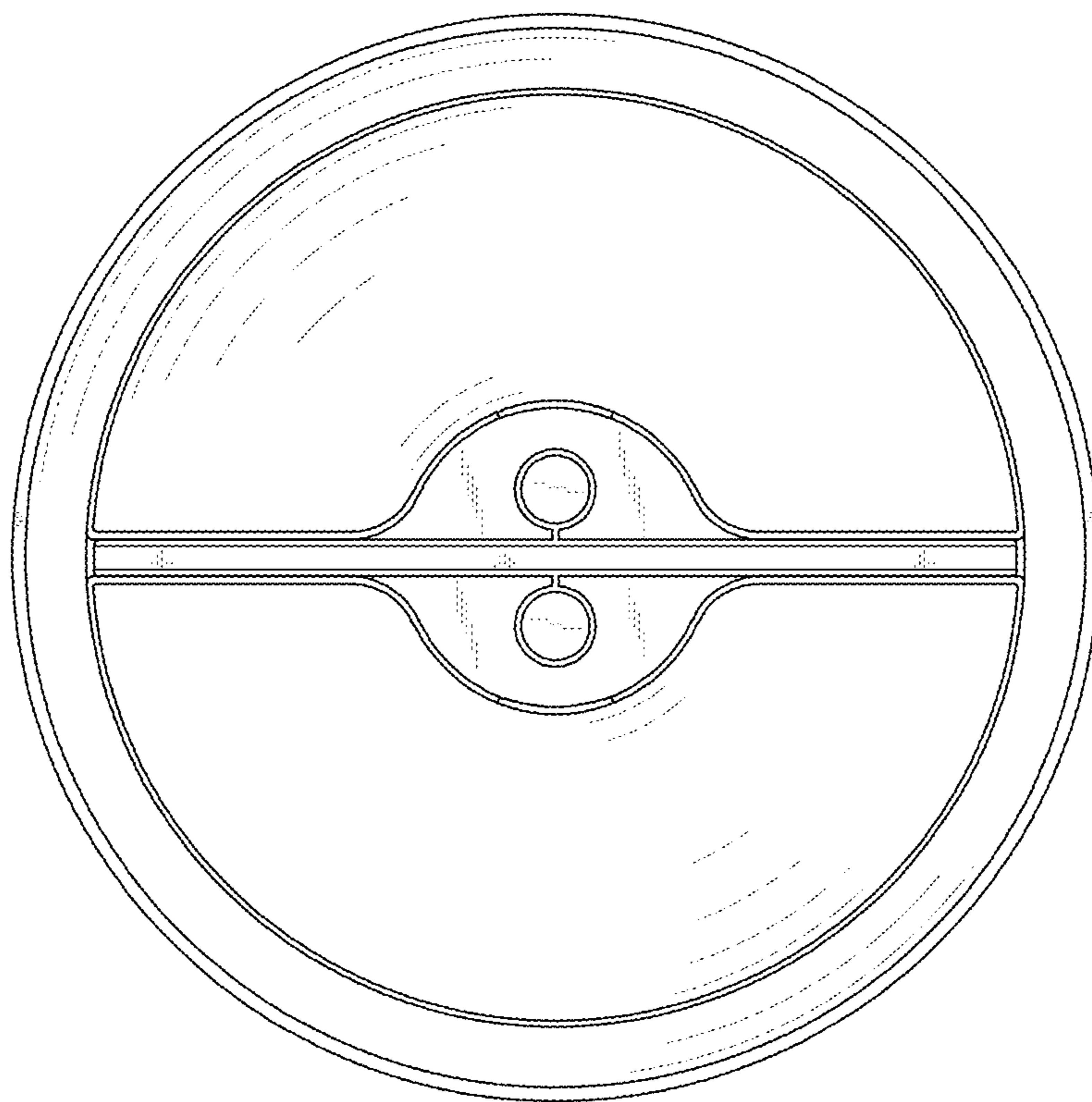


FIG.1

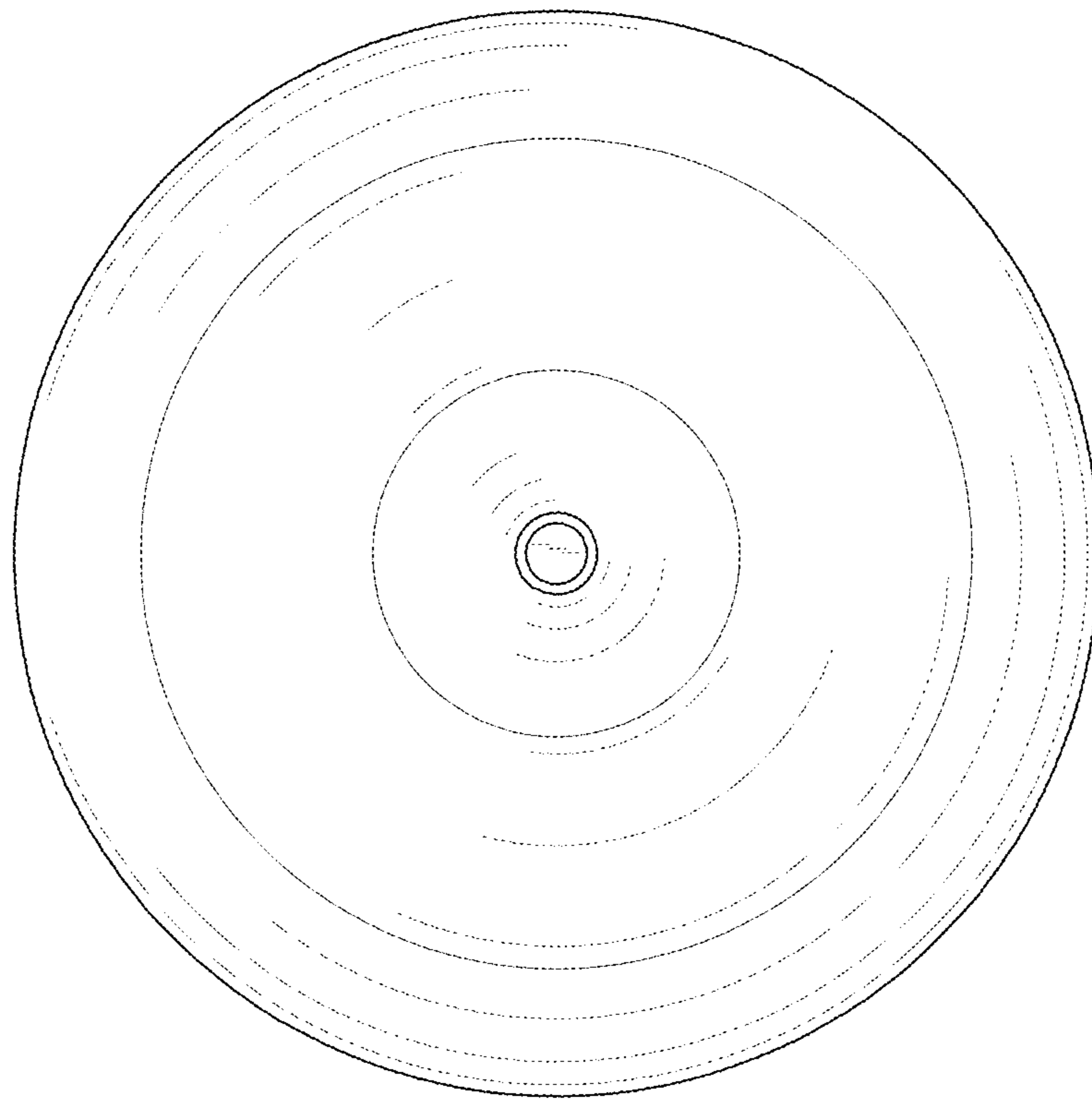


FIG. 2

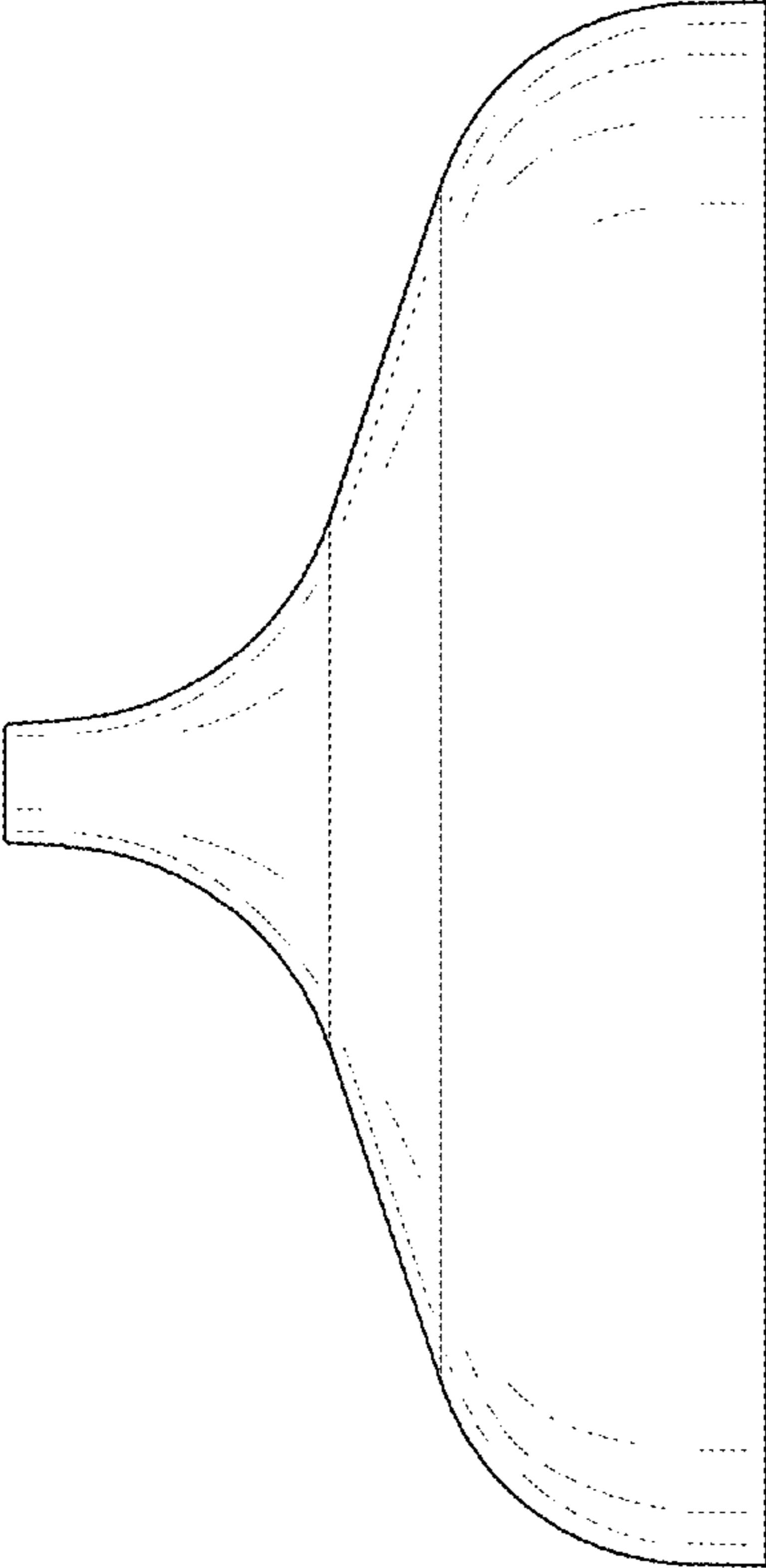


FIG.3

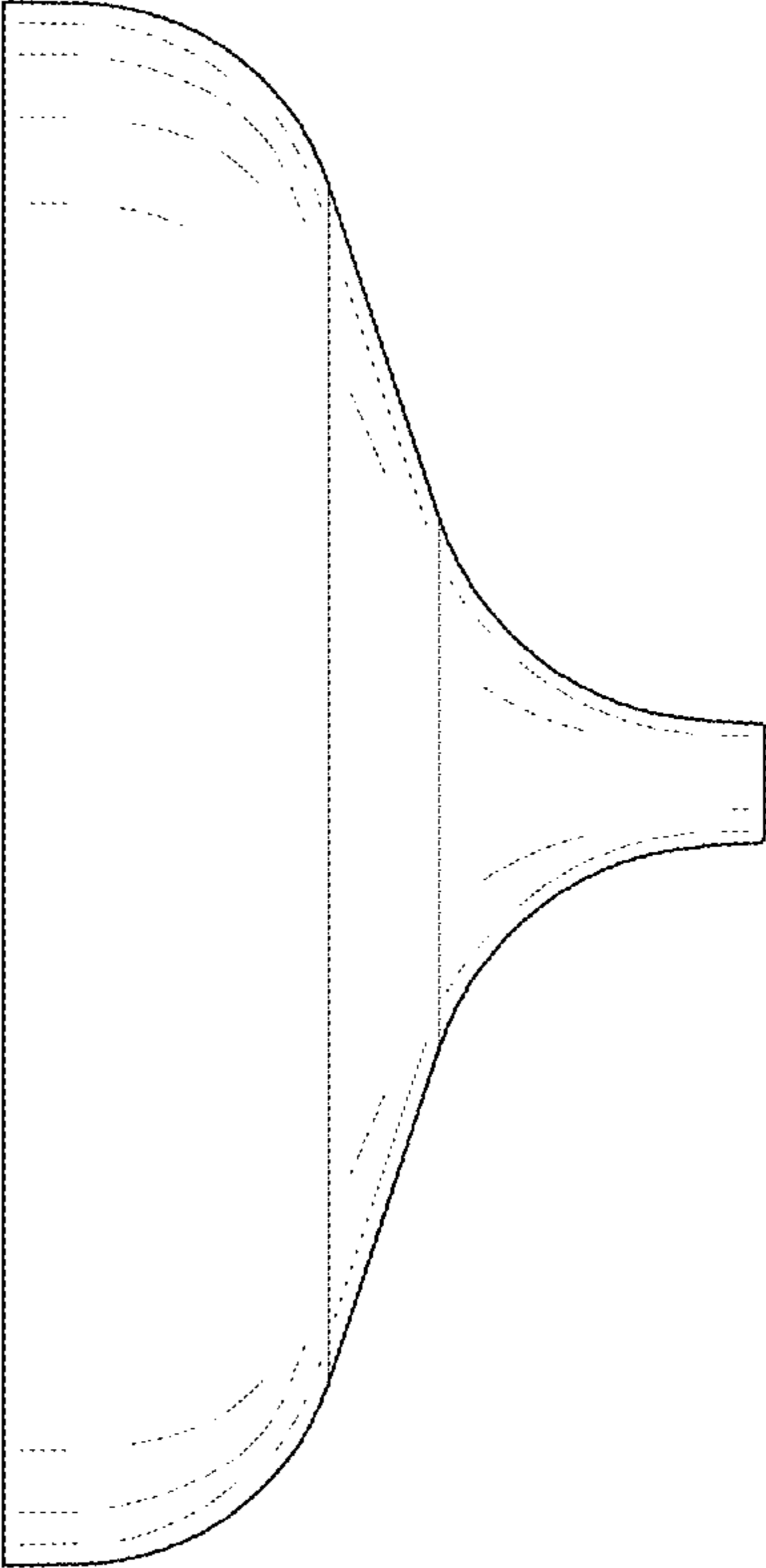


FIG.4

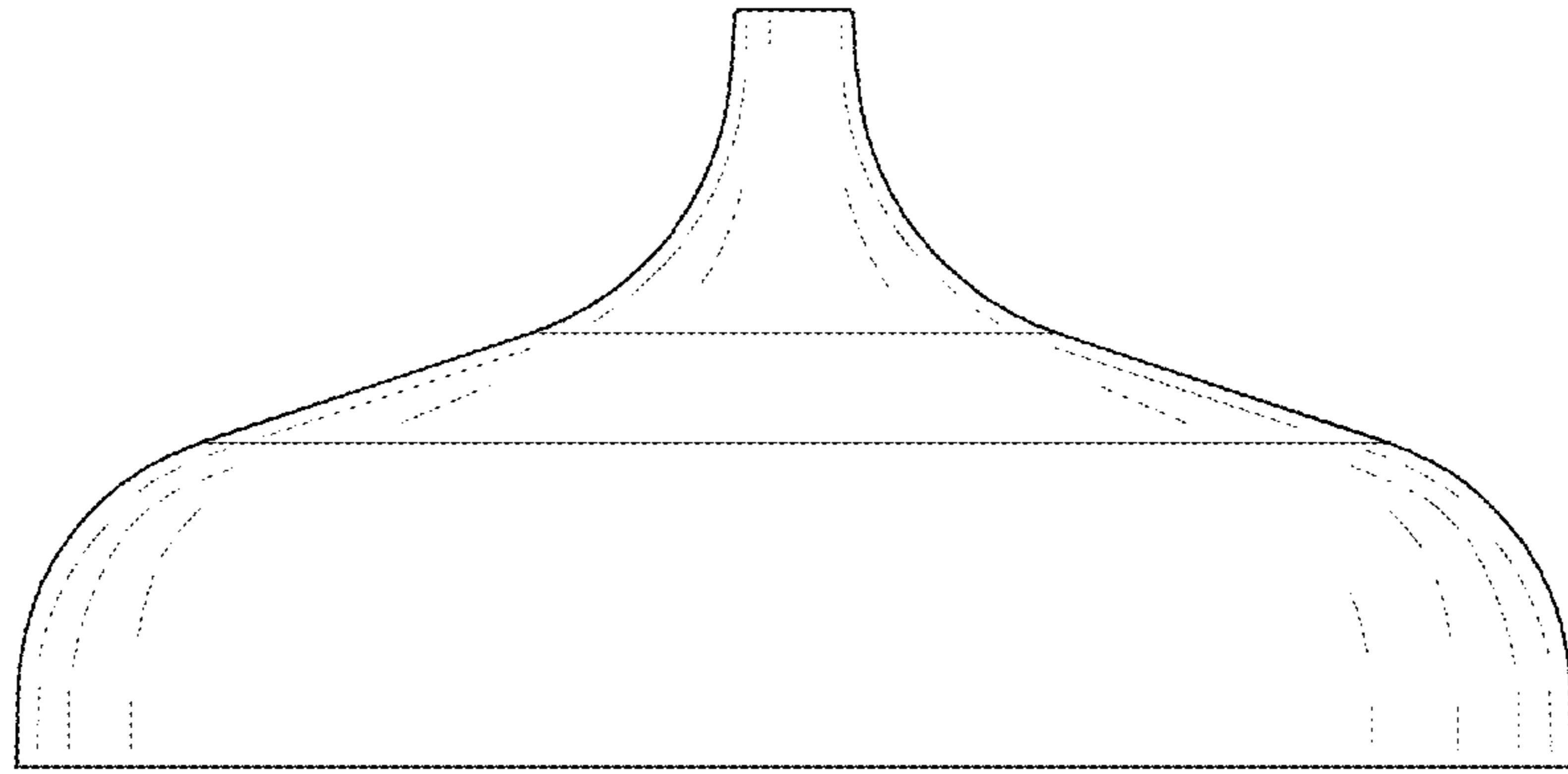


FIG.5

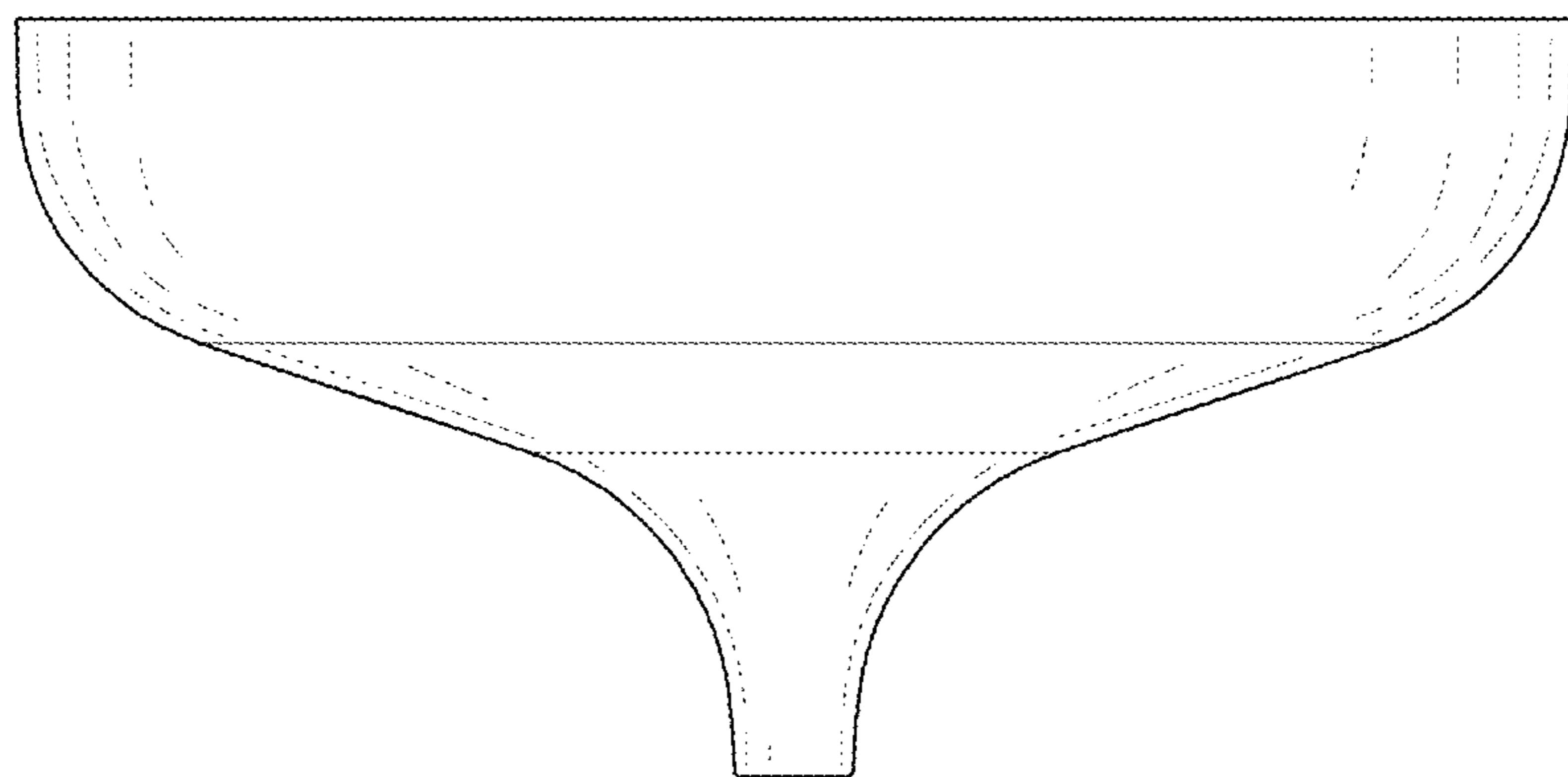


FIG.6

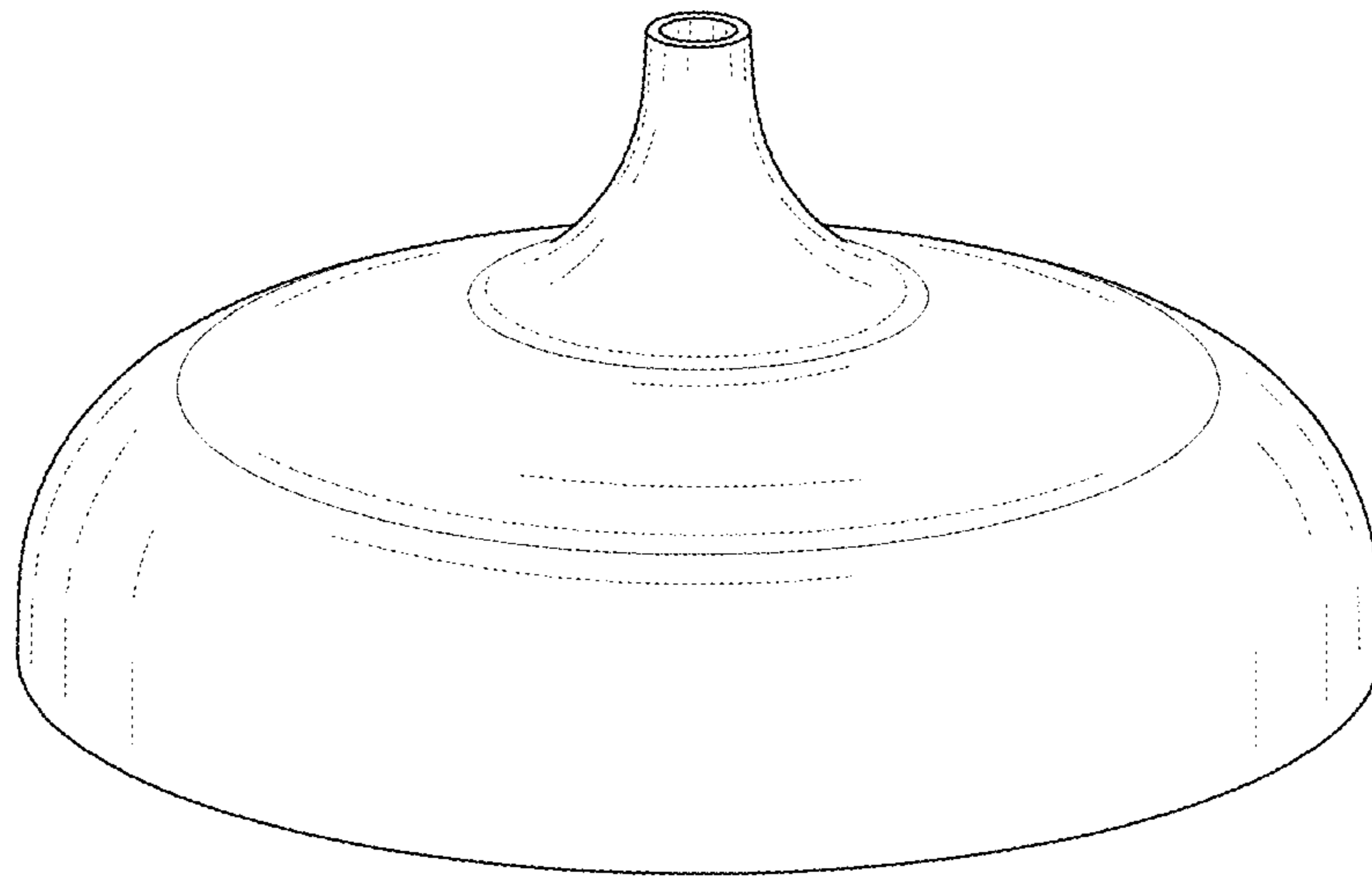


FIG. 7

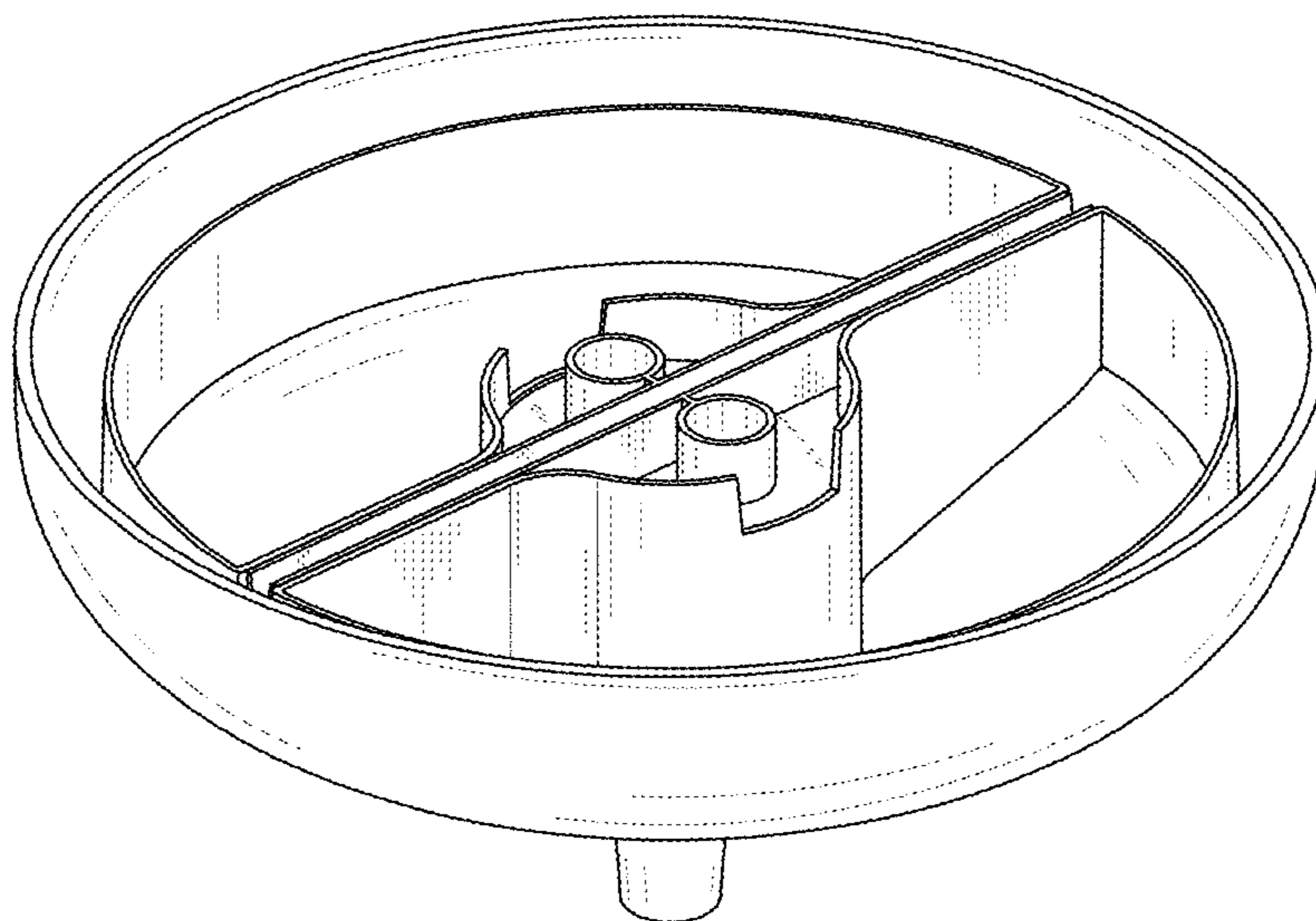


FIG. 8

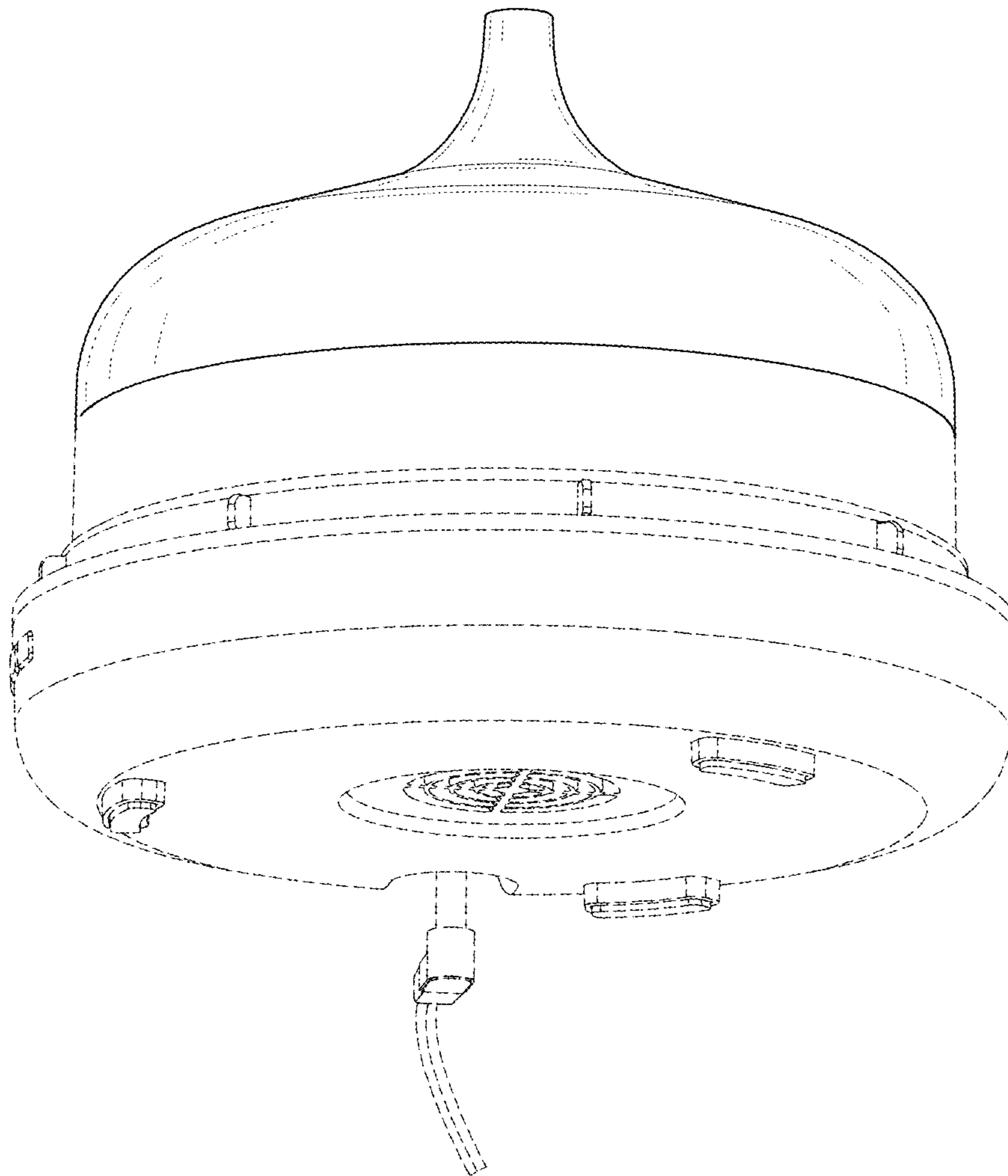


FIG.9