



US00D876598S

(12) **United States Design Patent** (10) **Patent No.:** **US D876,598 S**
Liu et al. (45) **Date of Patent:** **** Feb. 25, 2020**

(54) **HUMIDIFIER**

(71) Applicant: **BEIJING XIAOMI MOBILE SOFTWARE CO., LTD.**, Beijing (CN)

(72) Inventors: **Tie Liu**, Beijing (CN); **Ziming Yuan**, Beijing (CN); **Jun Su**, Beijing (CN)

(73) Assignee: **BEIJING XIAOMI MOBILE SOFTWARE CO., LTD.**, Beijing (CN)

(**) Term: **15 Years**

(21) Appl. No.: **35/506,495**

(22) Filed: **Jun. 27, 2018**

(80) **Hague Agreement Data**

Int. Filing Date: **Jun. 27, 2018**
Int. Reg. No.: **DM/200368**
Int. Reg. Date: **Jun. 27, 2018**
Int. Reg. Pub. Date: **Mar. 29, 2019**

(30) **Foreign Application Priority Data**

Dec. 27, 2017 (CN) 2017 3 0675307

(51) **LOC (12) Cl.** **23-04**

(52) **U.S. Cl.**
USPC **D23/356**

(58) **Field of Classification Search**

USPC D23/355-366, 369, 332, 352, 333, 335,
D23/336, 342, 351

CPC .. F24F 11/30; F24F 11/46; F24F 11/56; F24F 11/52; F24F 2110/00; F24F 11/58; F24F 11/62; F24F 2110/10; F24F 2140/60; F24F 11/61; F24F 11/63; F24F 2120/10; F24F 2120/20; F24F 11/83; F24F 11/89; F24F 2110/12; F24F 11/0001; F24F 11/32; F24F 11/39; F24F 11/47; F24F 11/523; F24F 11/64; F24F 11/81; F24F 11/85; F24F 13/04; F24F 13/065; F24F 1/0003; F24F 1/0014; F24F 1/0033; F24F 1/0035; F24F 1/005; F24F 1/38; F24F

2003/0446; F24F 2003/1617; F24F 2006/006; F24F 2006/065; F24F 2011/0002; F24F 2110/20; F24F 2110/50; F24F 2120/12; F24F 2130/00; F24F 2130/10; F24F 2130/40; F24F 2140/10; F24F 2140/40; F24F 2221/32; F24F 3/001; F24F 3/044; F24F 3/14; F24F 3/1417; F24F 3/1603; F24F 5/001; F24F 6/06; F24F 6/10; F24F 6/12; F24F 6/16

See application file for complete search history.

(56) **References Cited**

U.S. PATENT DOCUMENTS

D565,159	S	*	3/2008	Shin	D23/356
D585,534	S	*	1/2009	Chen	D23/356
D597,187	S	*	7/2009	Campbell	D23/356
D677,773	S	*	3/2013	Choi	D23/356
D682,406	S	*	5/2013	Yeom	D23/356
D818,094	S	*	5/2018	Cartwright	D23/356

* cited by examiner

Primary Examiner — Khawaja Anwar

(74) *Attorney, Agent, or Firm* — Amster, Rothstein & Ebenstein LLP

(57) **CLAIM**

The ornamental design for humidifier, as shown and described.

DESCRIPTION

1. Humidifier

1.1 is a front elevation view of a humidifier showing our new design;

1.2 is a rear elevation view thereof;

1.3 is a left side elevation view thereof;

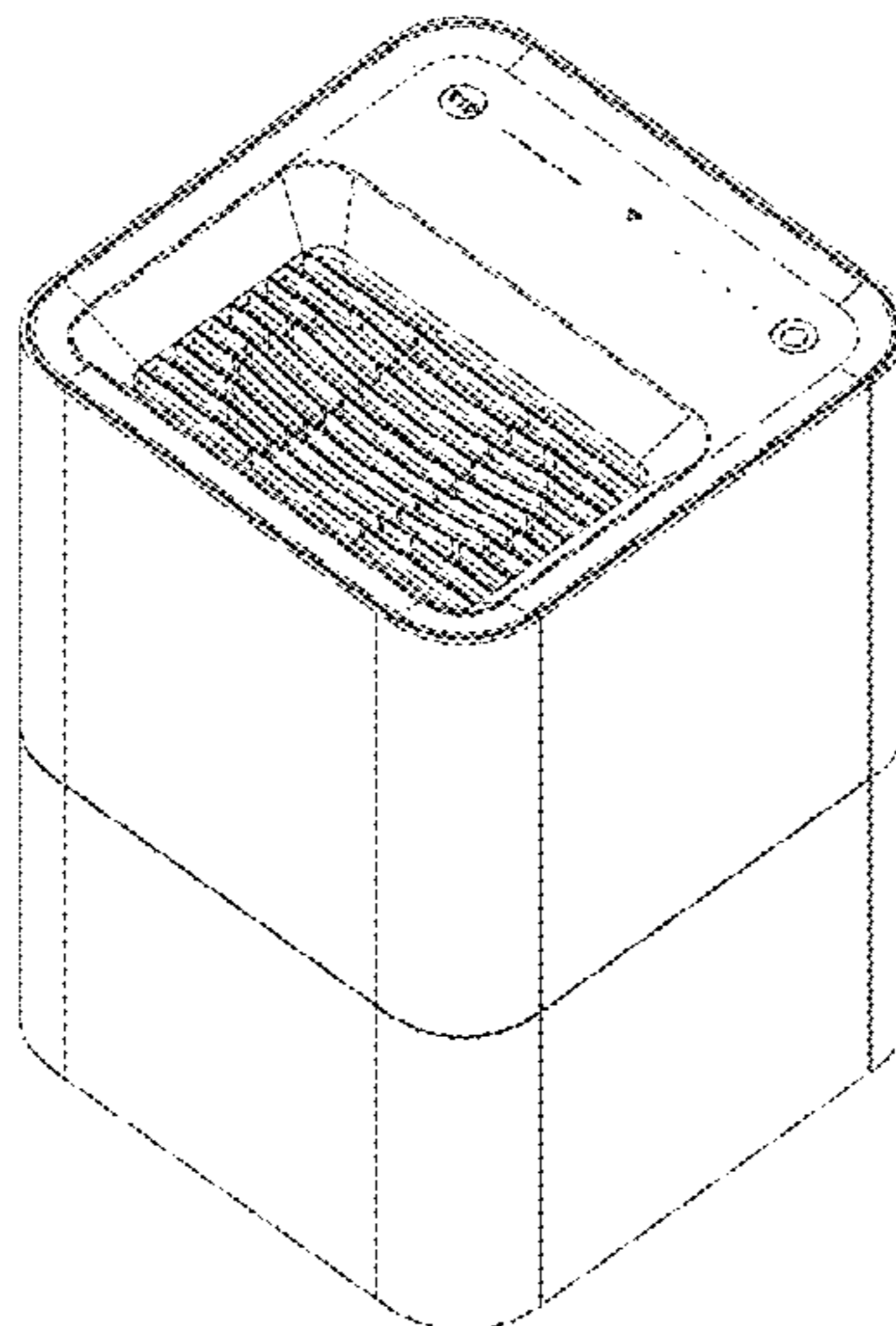
1.4 is a right side elevation view thereof;

1.5 is a top plan view thereof;

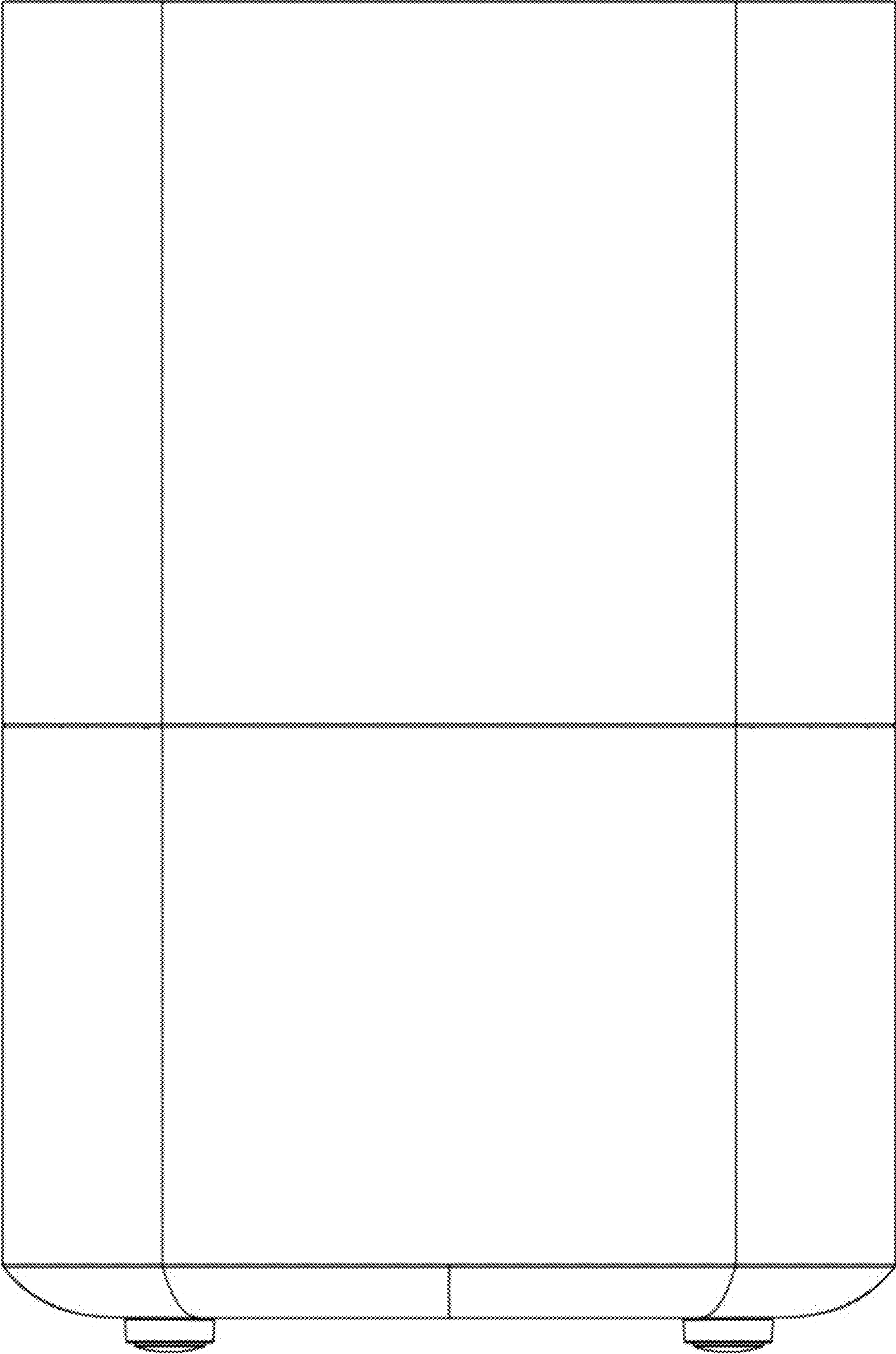
1.6 is a bottom plan view thereof and

1.7 is a perspective view thereof.

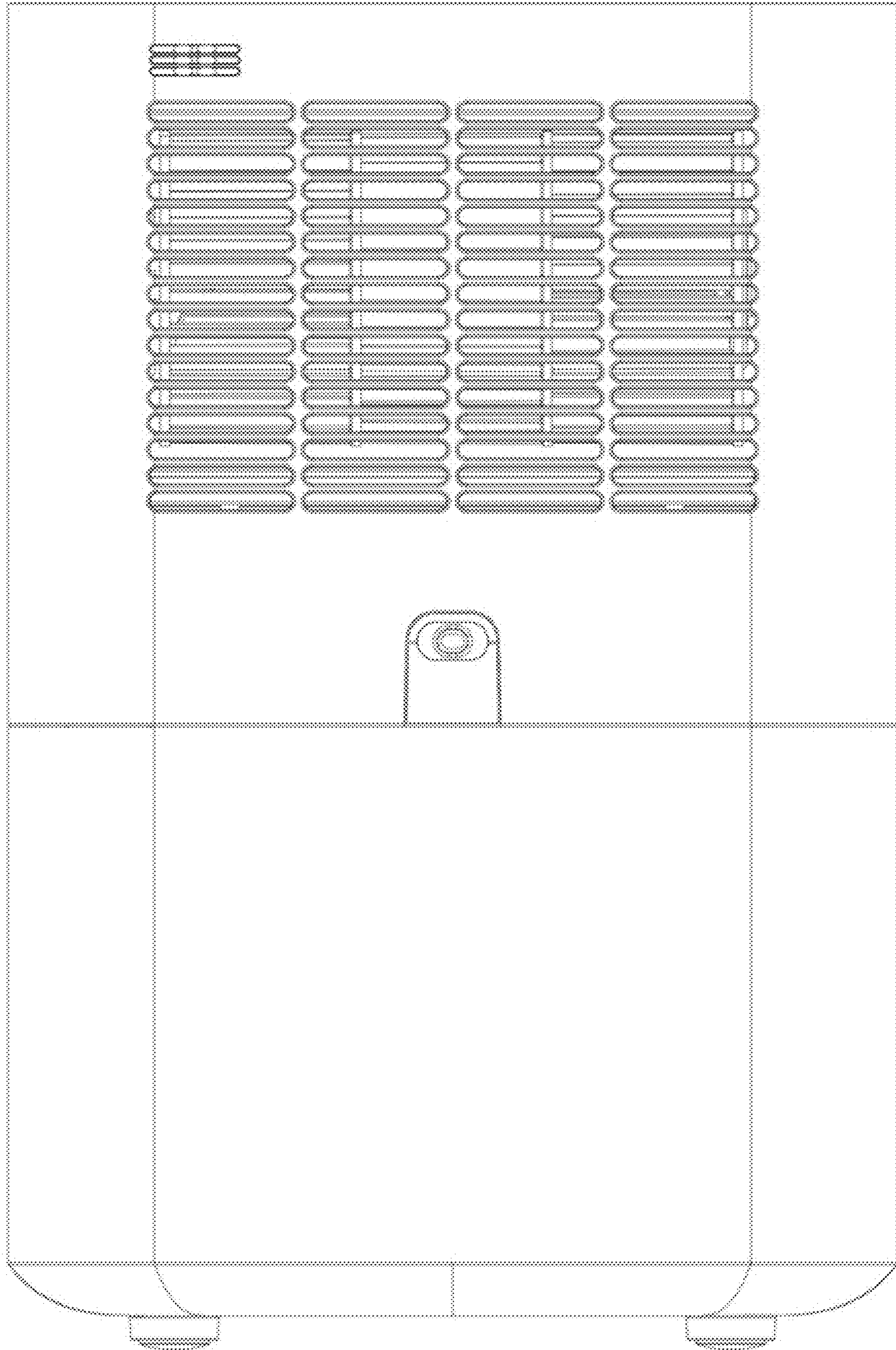
1 Claim, 7 Drawing Sheets



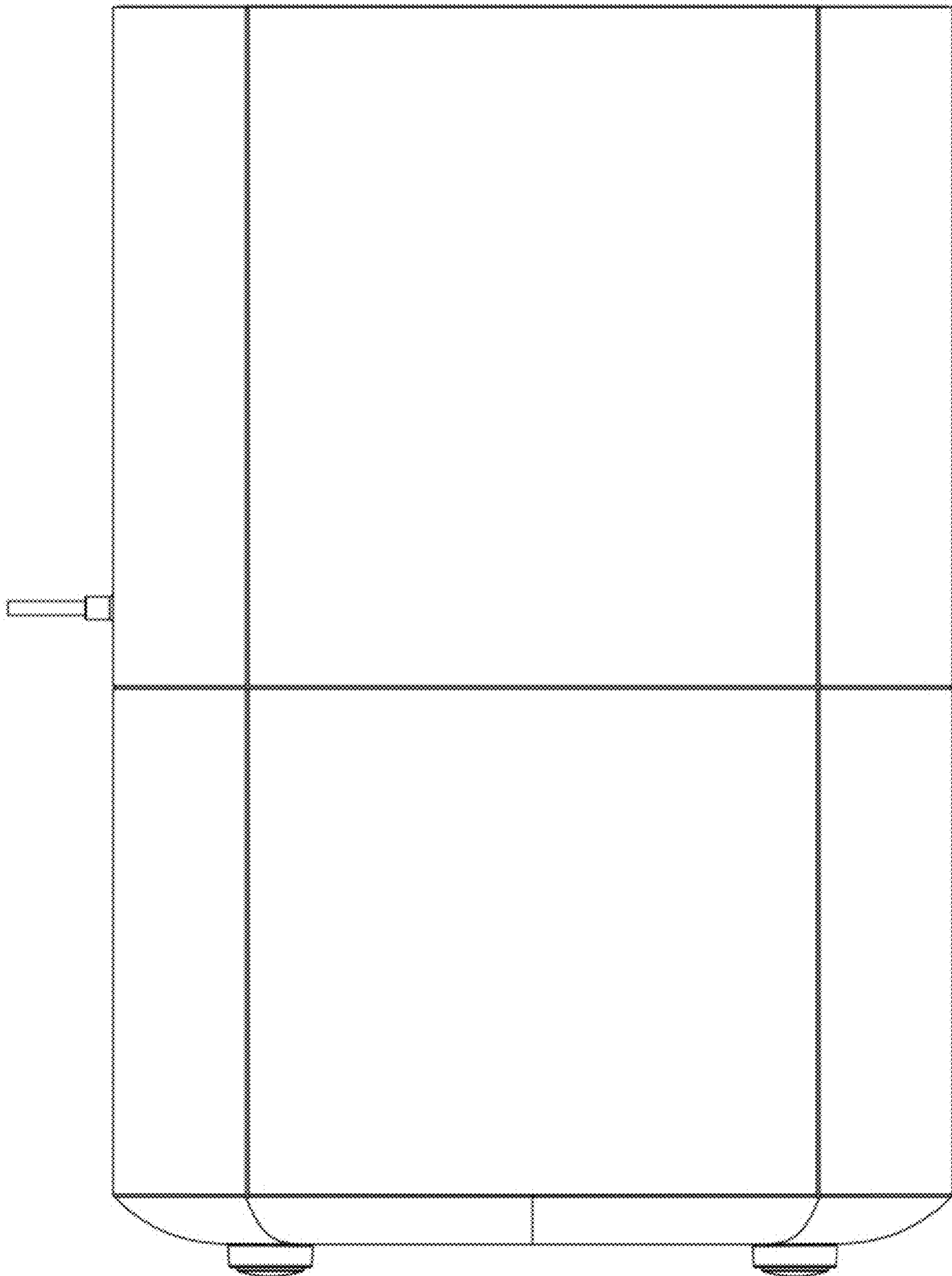
1.1



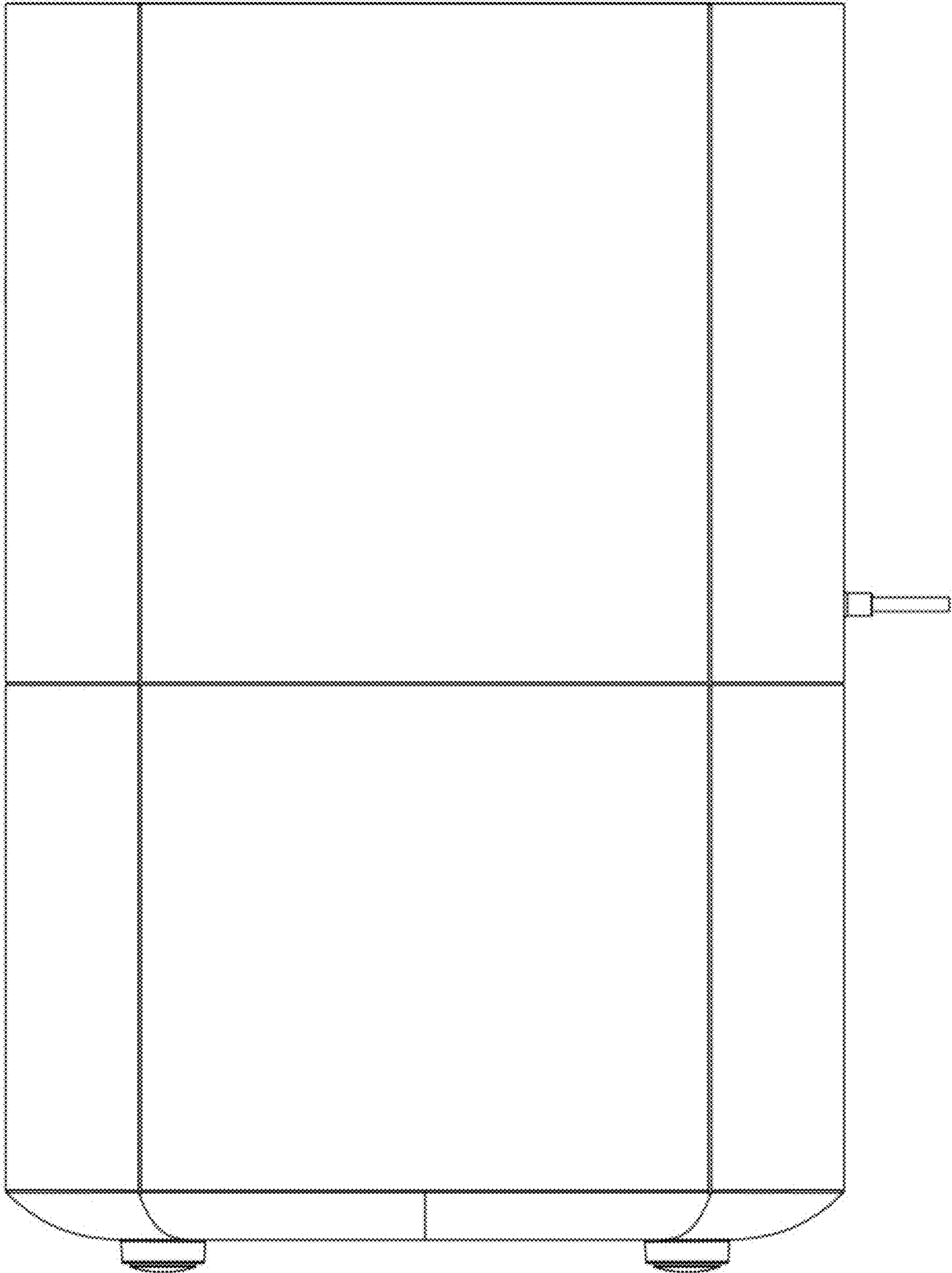
1.2



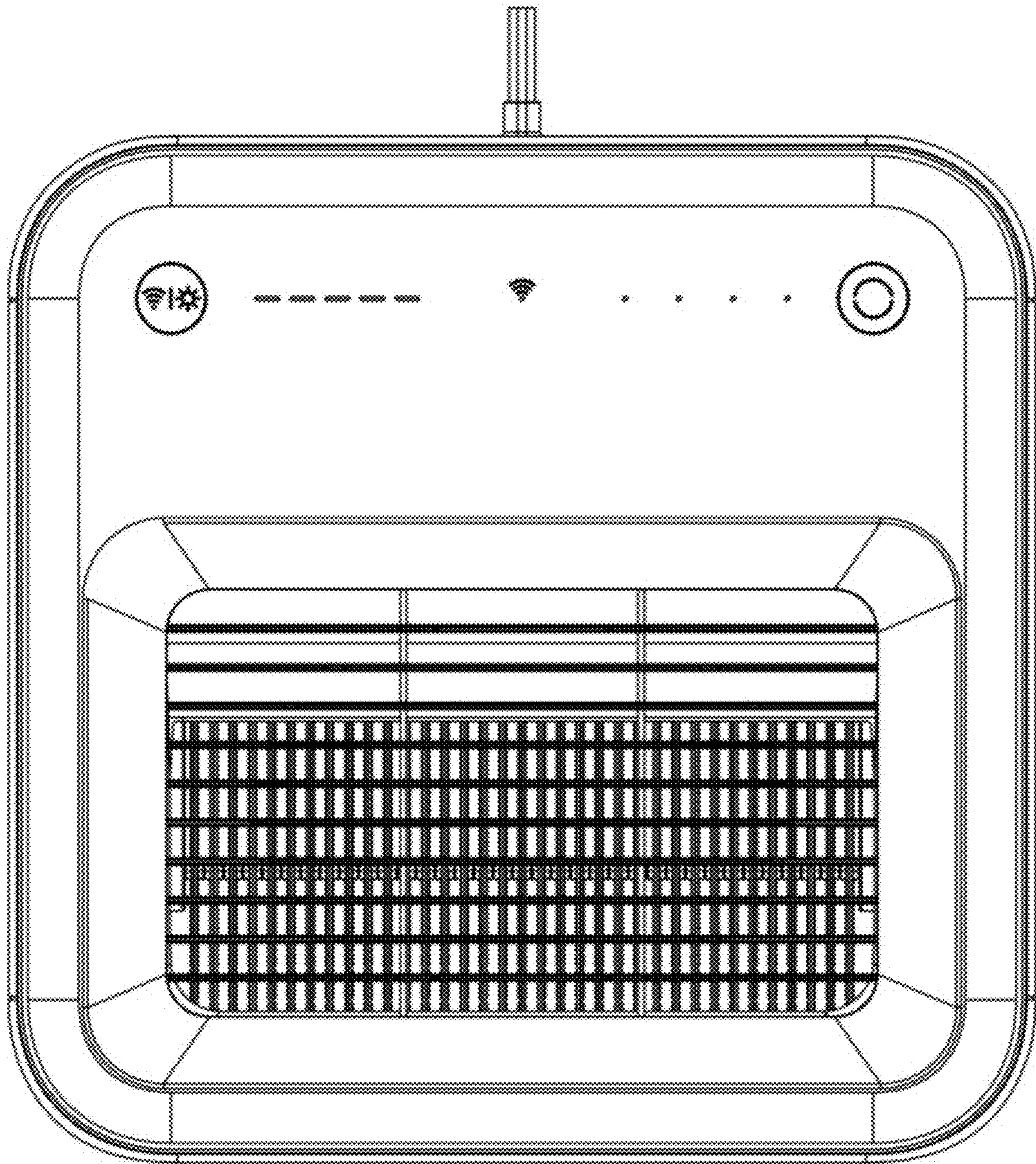
1.3



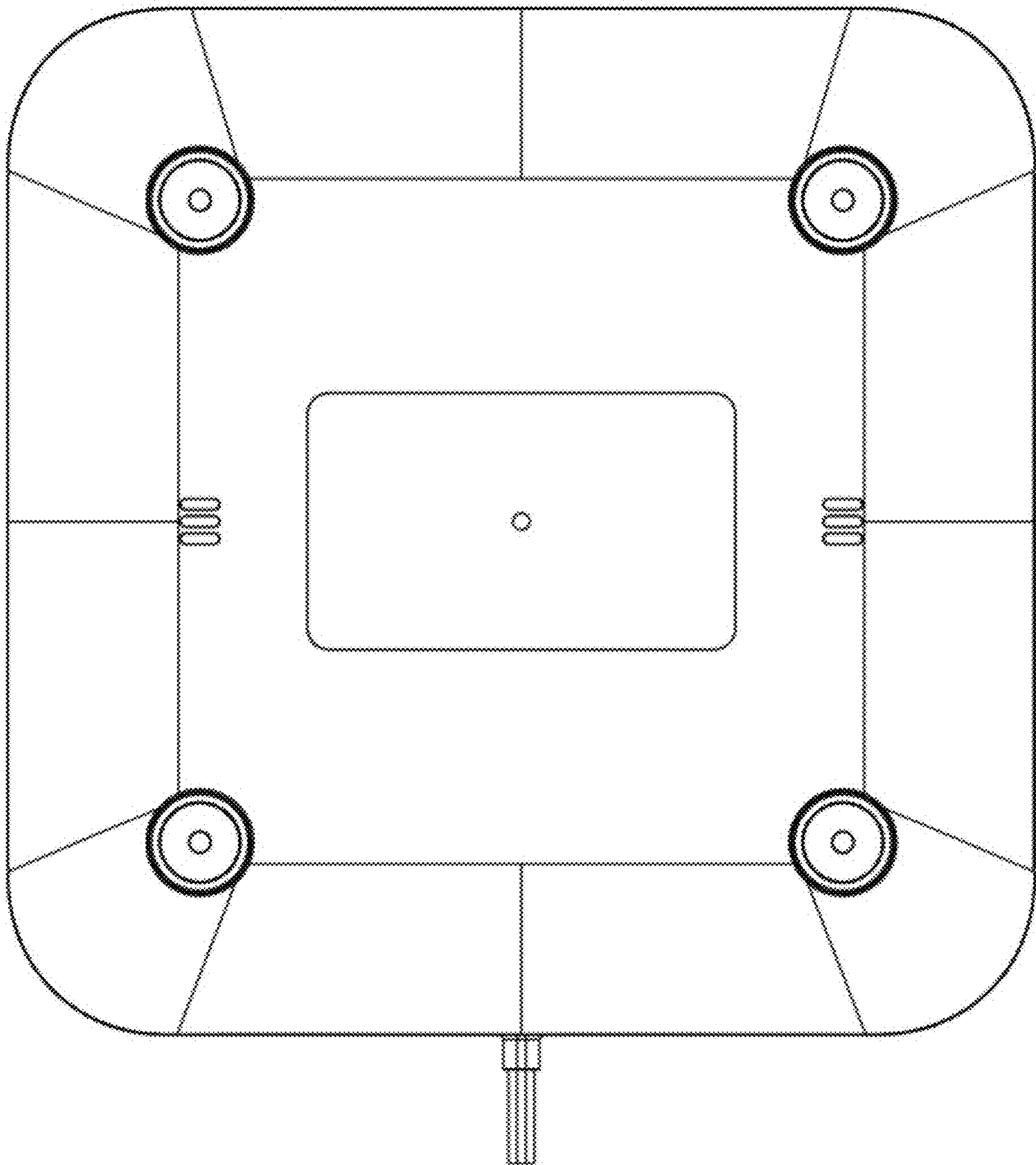
1.4



1.5



1.6



1.7

