



US00D876593S

(12) **United States Design Patent**
Vaz et al.

(10) **Patent No.:** **US D876,593 S**

(45) **Date of Patent:** **** Feb. 25, 2020**

- (54) **FEMALE HOSE COUPLING**
- (71) Applicant: **TEKNOR APEX COMPANY**,
Pawtucket, RI (US)
- (72) Inventors: **David Vaz**, Riverside, RI (US); **Mark Buchan**, Norton, MA (US)
- (73) Assignee: **TEKNOR APEX COMPANY**,
Pawtucket, RI (US)
- (**) Term: **15 Years**
- (21) Appl. No.: **29/657,906**
- (22) Filed: **Jul. 26, 2018**
- (51) **LOC (12) Cl.** **23-01**
- (52) **U.S. Cl.**
USPC **D23/262**
- (58) **Field of Classification Search**
USPC D23/259, 262-266, 245, 213, 233, 235;
285/197-200; 137/315.23, 798;
138/109-110, 155, 96 T; D13/133, 151;
D8/382, 396
CPC F16L 37/252; F16L 43/00
See application file for complete search history.

D736,357 S	8/2015	Melo et al.	
D736,358 S	8/2015	Melo et al.	
D736,359 S	8/2015	Melo et al.	
D738,471 S	9/2015	Melo et al.	
D744,562 S	* 12/2015	Hassan	D15/144
D744,563 S	* 12/2015	Hassan	D15/144
D744,564 S	* 12/2015	Hassan	D15/144
D757,233 S	5/2016	Vaz et al.	
D763,816 S	* 8/2016	Hassan	D15/144
D777,888 S	1/2017	Vaz et al.	
D779,640 S	2/2017	Vaz et al.	
D782,623 S	3/2017	Vaz et al.	
D784,497 S	4/2017	Vaz et al.	
D785,141 S	4/2017	Vaz et al.	
9,810,357 B2	* 11/2017	Blanchette	F16L 33/207
D812,202 S	* 3/2018	Blanchette	D23/266
2017/0363239 A1	* 12/2017	Rusconi	F16L 37/23

* cited by examiner

Primary Examiner — Amy C Wierenga

(74) *Attorney, Agent, or Firm* — Hudak, Shunk & Farine Co. LPA

(57) **CLAIM**

An ornamental design for a female hose coupling, as shown and described.

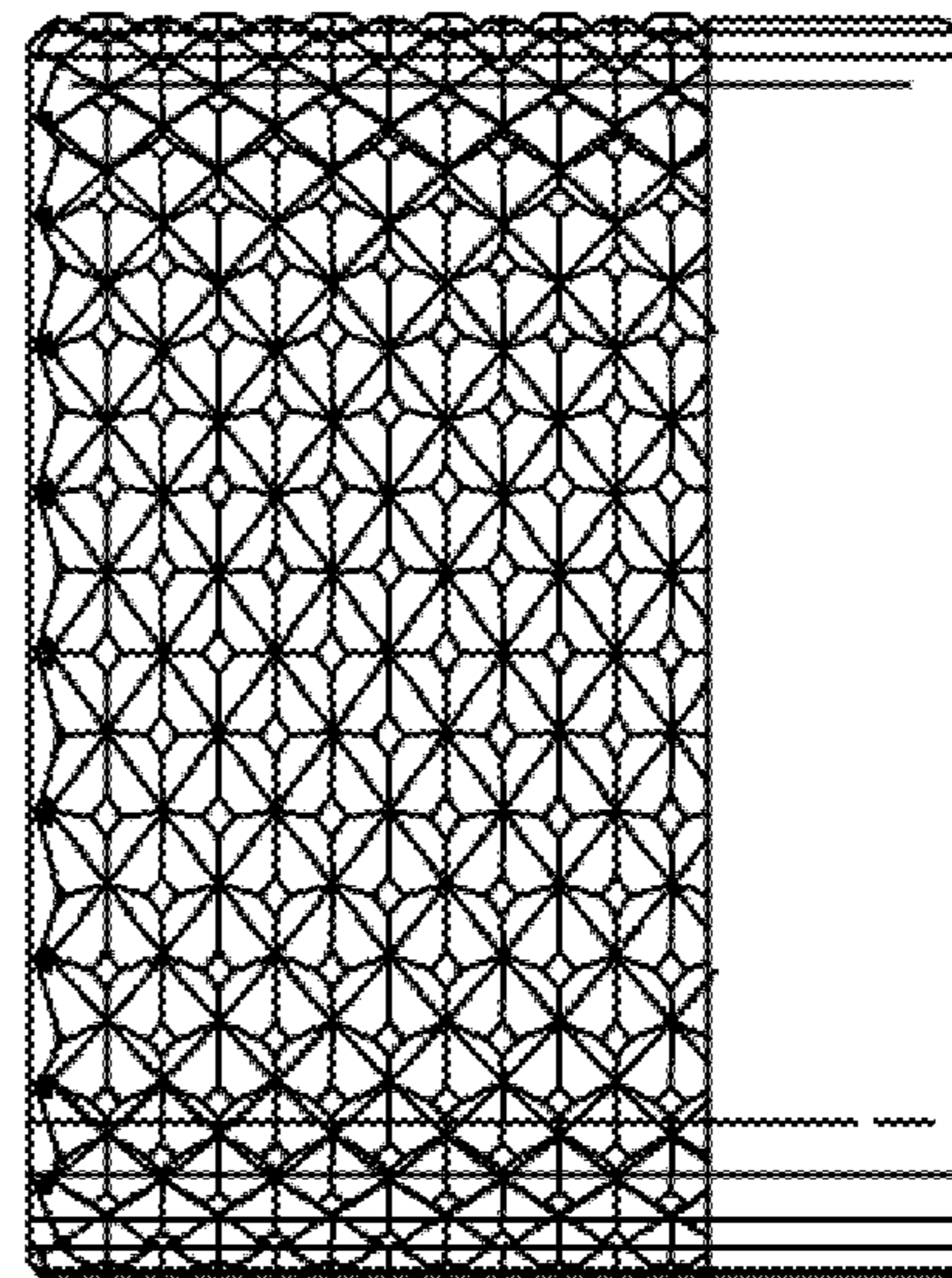
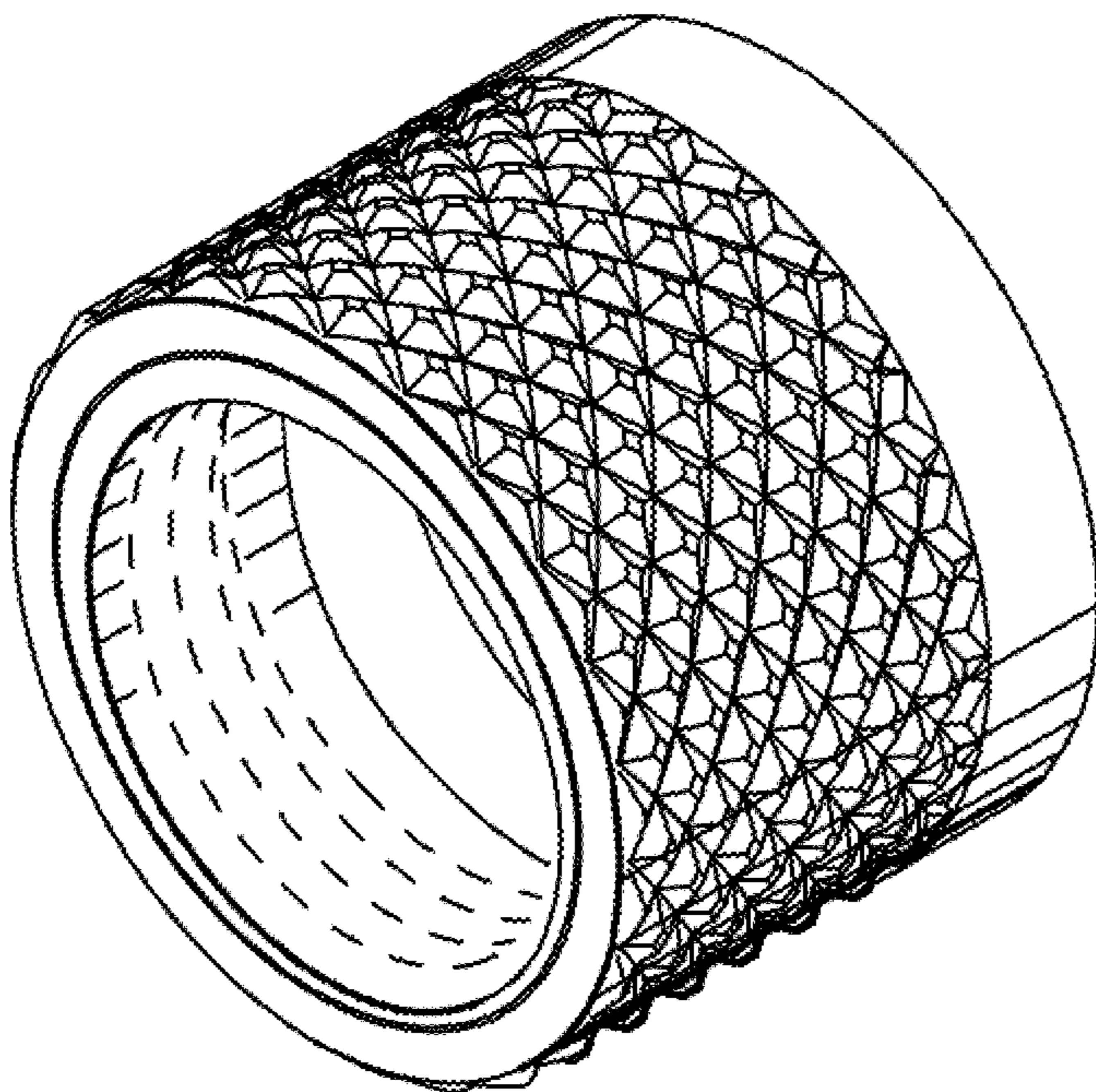
DESCRIPTION

FIG. 1 is a front perspective view of a female hose coupling; FIG. 2 is a side view of a female hose coupling; FIG. 3 is a front view of a female hose coupling; FIG. 4 is a rear view of a female hose coupling; and, FIG. 5 is a rear perspective view of a female hose coupling. Broken lines are included for the purpose of illustrating portions of the female hose coupling that form no part of the claim.

1 Claim, 1 Drawing Sheet

(56) **References Cited**
U.S. PATENT DOCUMENTS

D46,944 S	* 2/1915	Coughlin	D23/266
2,813,730 A	* 11/1957	Courtot	F16L 33/22
			285/242
D231,928 S	* 6/1974	Nelson	D23/247
D551,173 S	* 9/2007	Rodrigues	D13/151
D603,940 S	* 11/2009	Jerabek	D23/262
D627,038 S	* 11/2010	Yu	D23/260



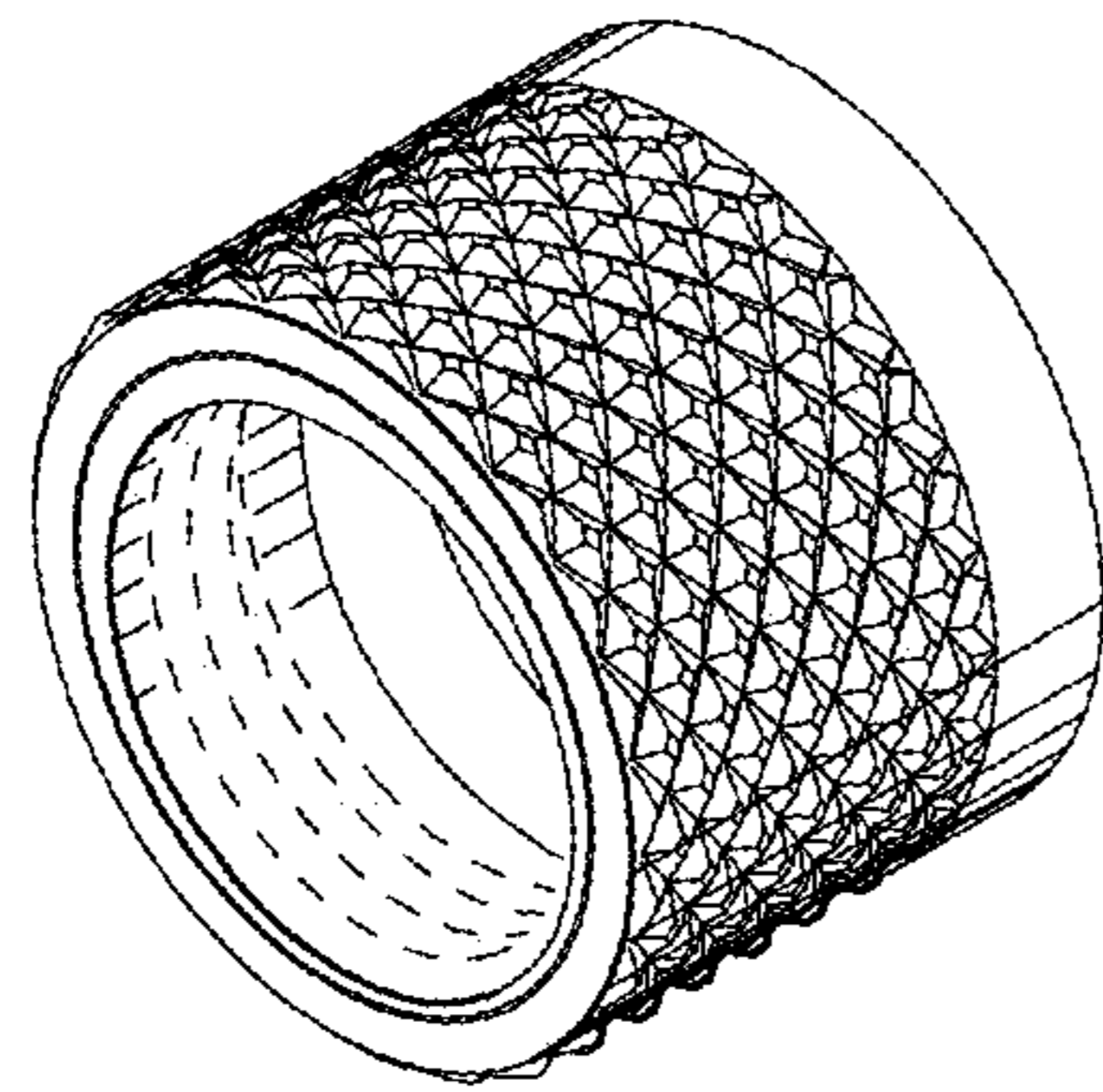


FIG. 1

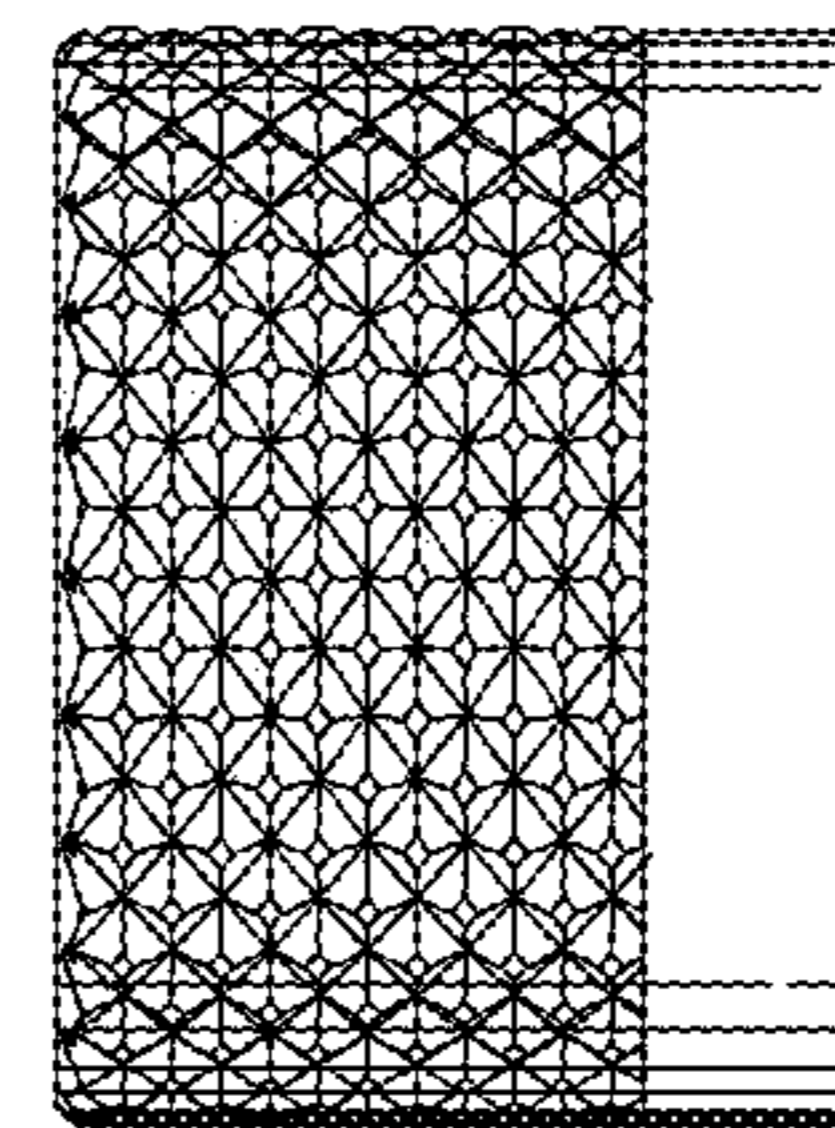


FIG. 2

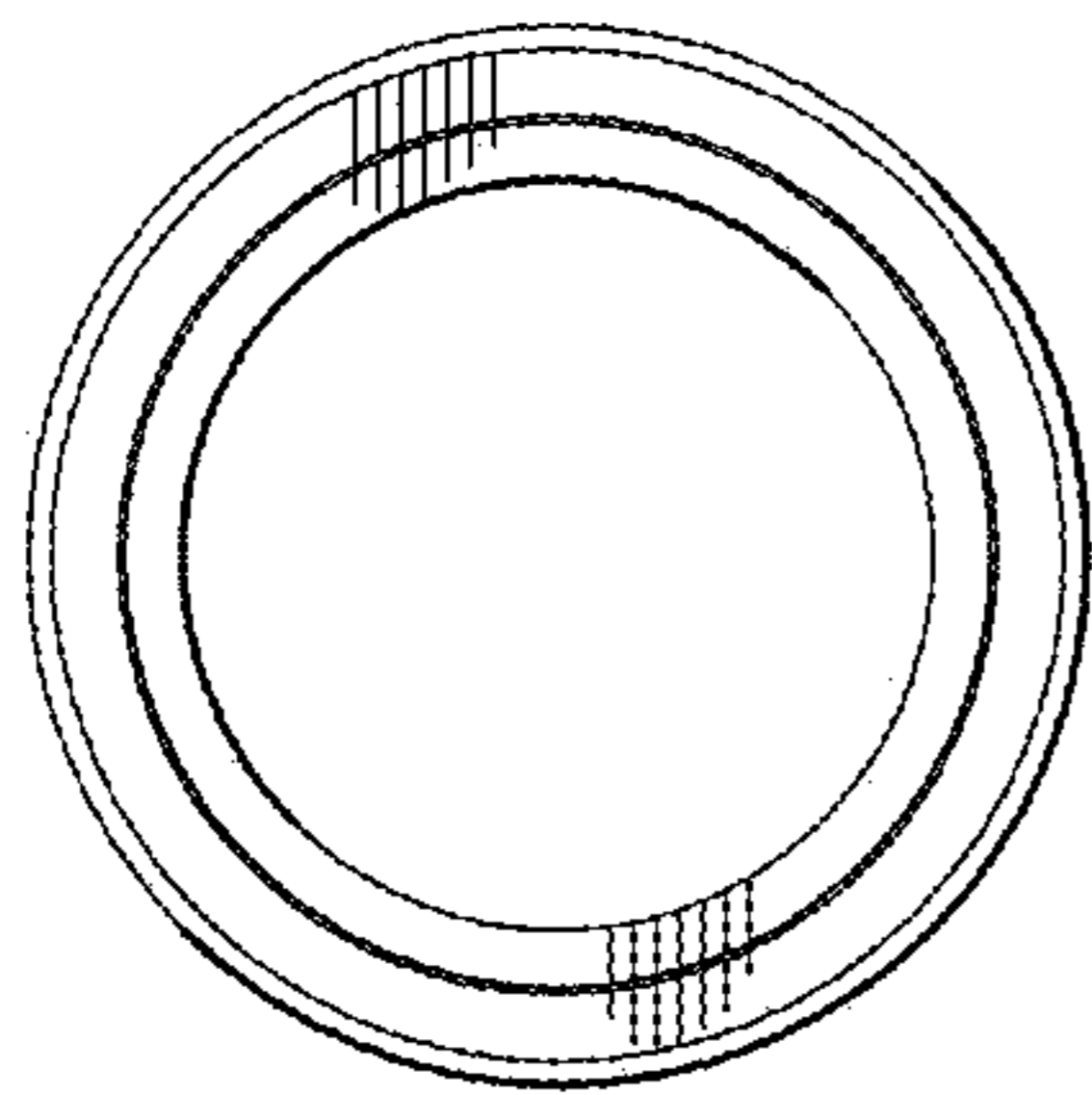


FIG. 3

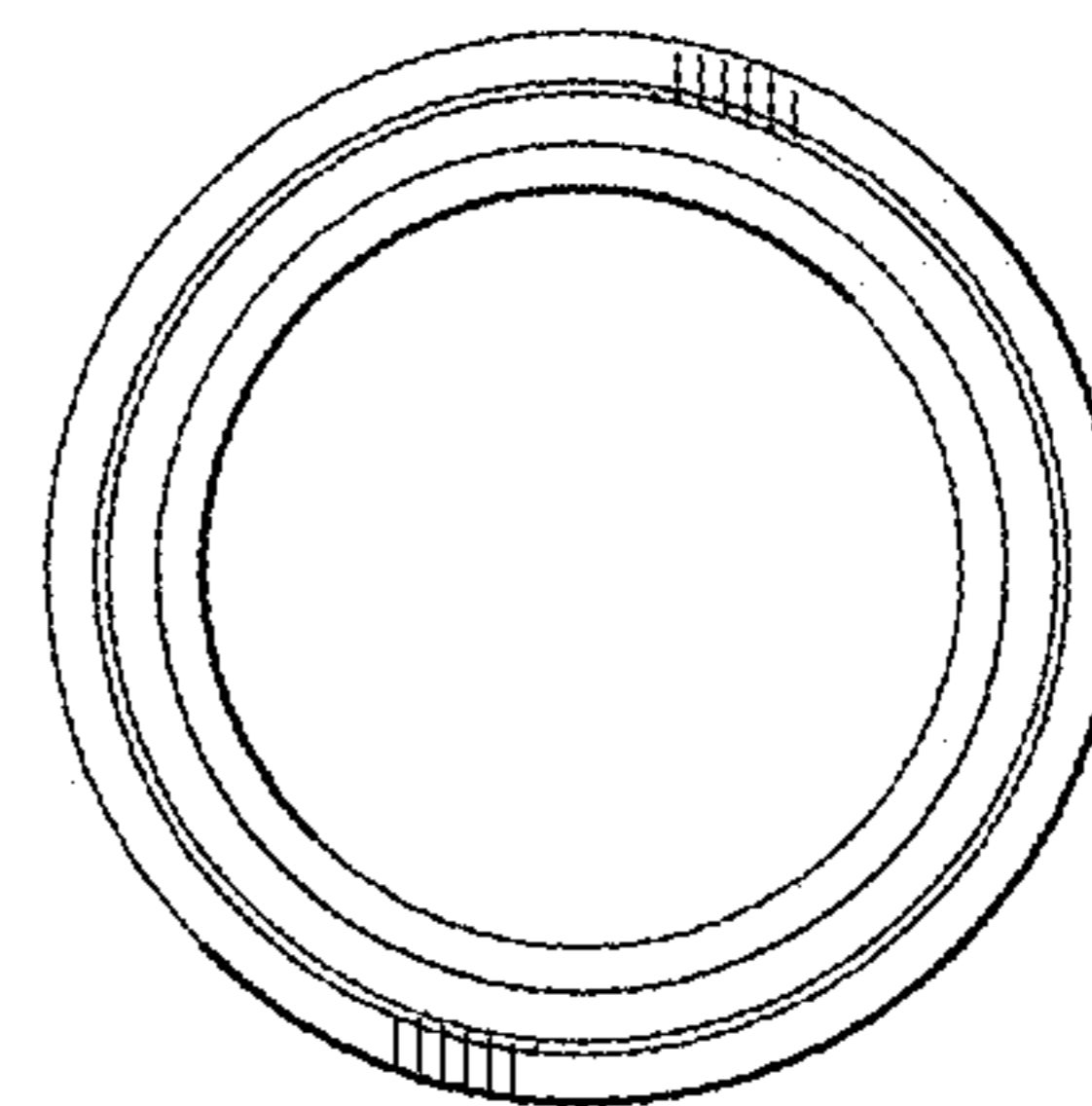


FIG. 4

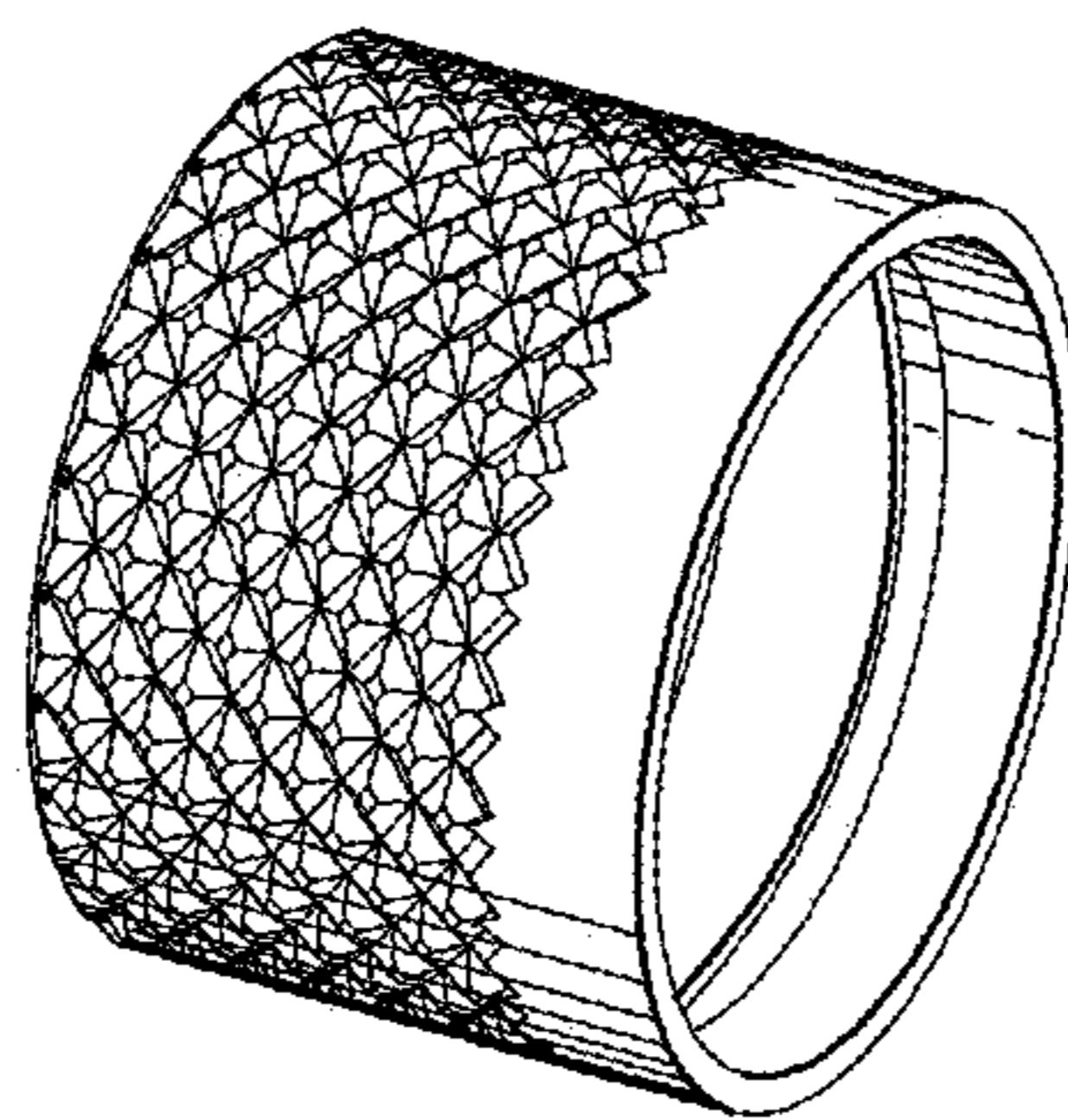


FIG. 5