



US00D876591S

(12) **United States Design Patent**
Pilarczyk et al.

(10) **Patent No.:** **US D876,591 S**

(45) **Date of Patent:** **** Feb. 25, 2020**

(54) **TEST PLUG**

D360,600 S * 7/1995 Rossi D10/83
6,883,546 B1 * 4/2005 Kobylinski F16L 55/1141
138/89

(71) Applicant: **WCM Industries, Inc.**, Colorado Springs, CO (US)

D856,497 S 8/2019 Pilarczyk

(72) Inventors: **Eric Pilarczyk**, Colorado Springs, CO (US); **Kevin Thomas Hogan**, Leawood, KS (US)

OTHER PUBLICATIONS

(73) Assignee: **WCM Industries, Inc.**, Colorado Springs, CO (US)

Watco, Bath Wastes and Trim Kits, Price Guide and Product Catalog, Effective May 15, 2017 rev 8-1, 80 pages, specifically p. 61: section labeled—Test Caps & Test Plugs.
U.S. Appl. No. 29/630,143, Restriction Requirement dated Jan. 14, 2019, 7 pages.
U.S. Appl. No. 29/630,143, Notice of Allowance dated Apr. 1, 2019, 7 pages.

(**) Term: **15 Years**

(21) Appl. No.: **29/694,599**

* cited by examiner

(22) Filed: **Jun. 12, 2019**

Primary Examiner — Antoine Duval Davis

Related U.S. Application Data

(62) Division of application No. 29/630,143, filed on Dec. 19, 2017, now Pat. No. Des. 856,497.

(51) **LOC (12) Cl.** **23-01**

(52) **U.S. Cl.**

USPC **D23/260**

(58) **Field of Classification Search**

USPC D10/83; D23/260

CPC . E03C 1/24; F16L 55/10; F16L 55/124; F16L

55/132; F16L 55/134; F17D 3/10; F17D

5/02; F16K 7/10

See application file for complete search history.

(56) **References Cited**

U.S. PATENT DOCUMENTS

1,993,307 A * 3/1935 Nicholson F16L 55/132
138/89

D341,142 S * 11/1993 Rogers D15/5

(57) **CLAIM**

The ornamental design for a test plug, as shown and described.

DESCRIPTION

FIG. 1 is a top perspective view of an exemplary test plug. FIG. 2 is a bottom perspective view of the test plug of FIG. 1.

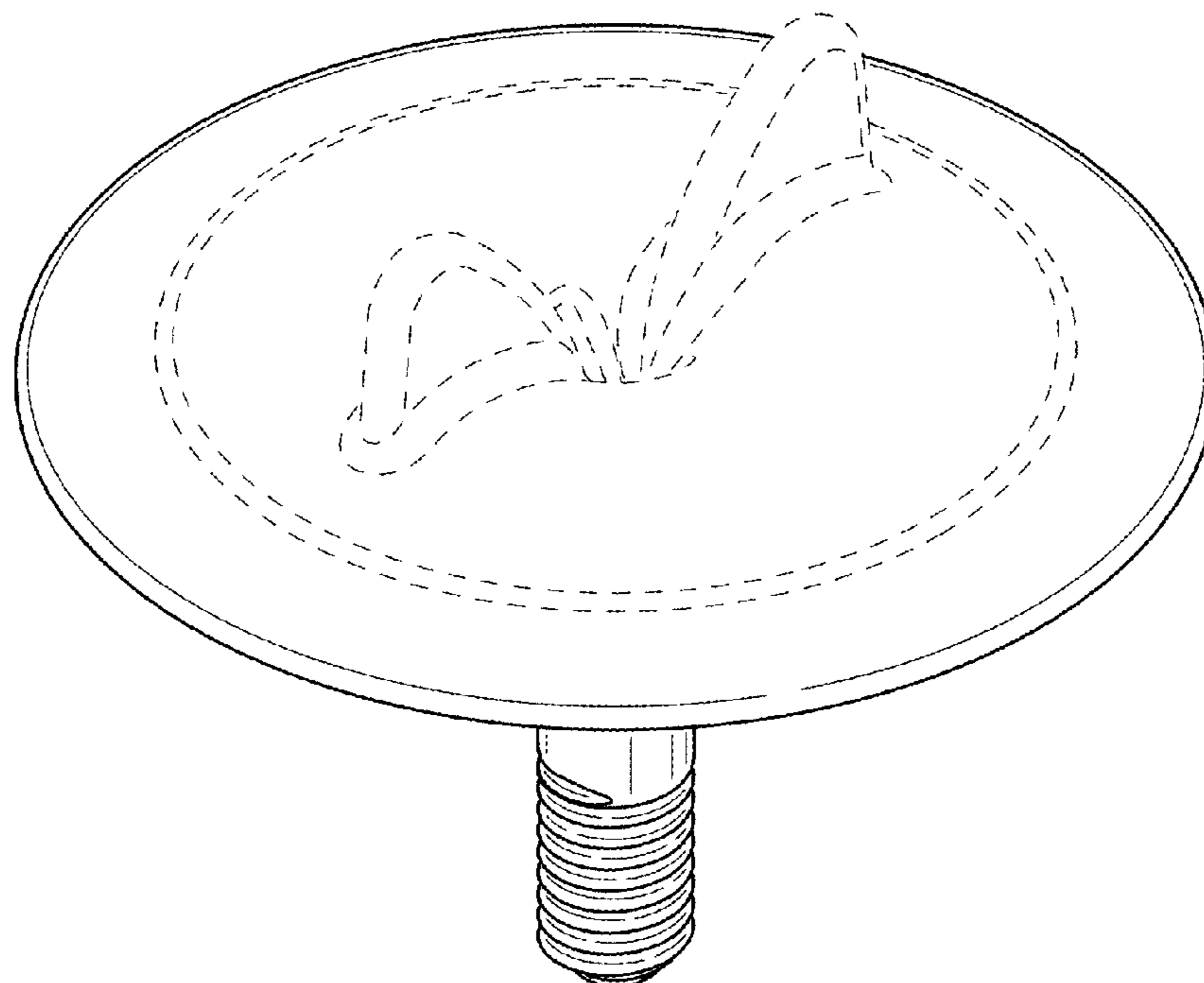
FIG. 3 is a side elevation view of the test plug of FIG. 1.

FIG. 4 is another side elevation view of the test plug of FIG. 1.

FIG. 5 is a top plan view of the test plug of FIG. 1; and, FIG. 6 is a bottom plan view of the test plug of FIG. 1.

The broken lines depict the boundaries of the test plug and form no part of the claimed design.

1 Claim, 6 Drawing Sheets



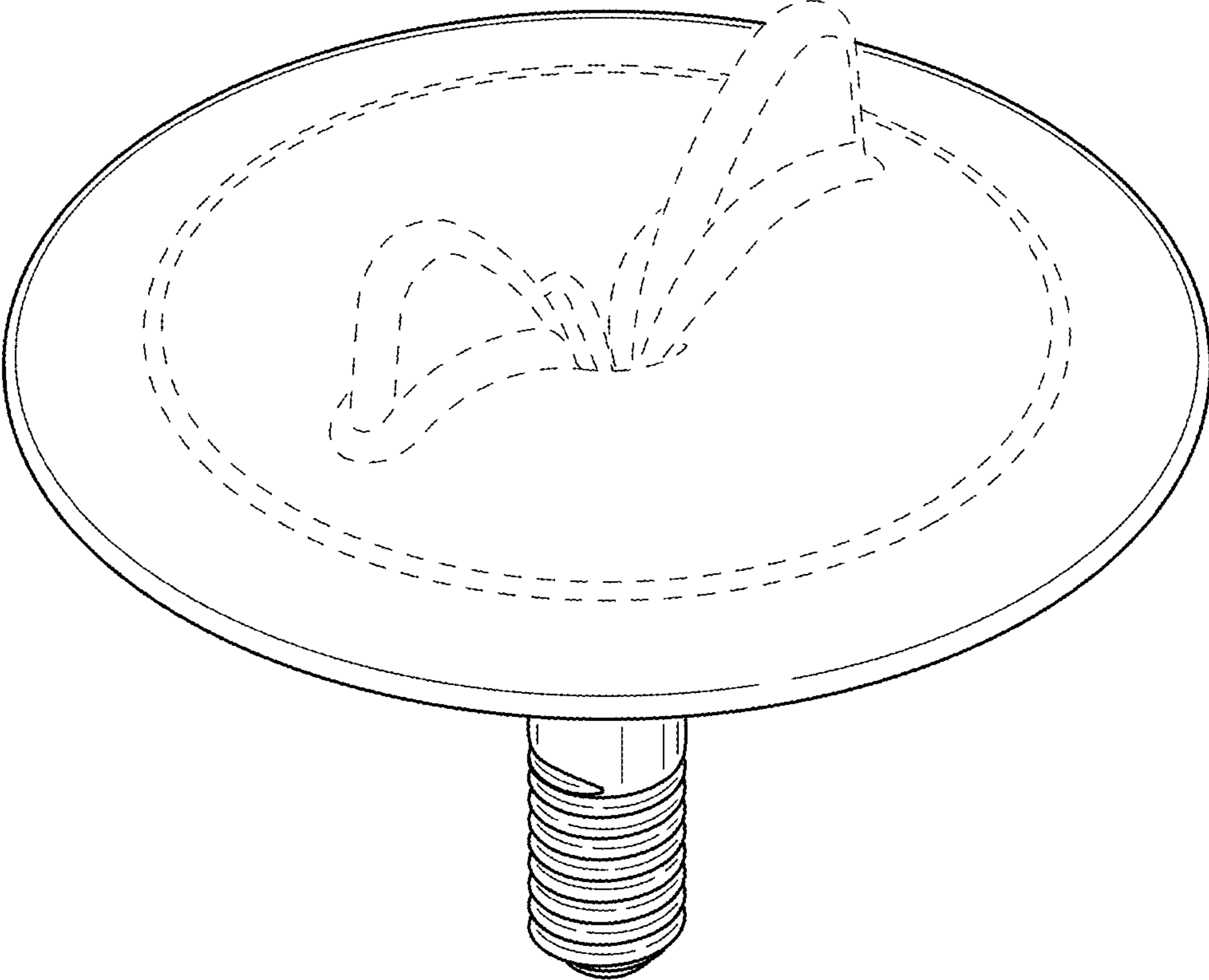


FIG.1

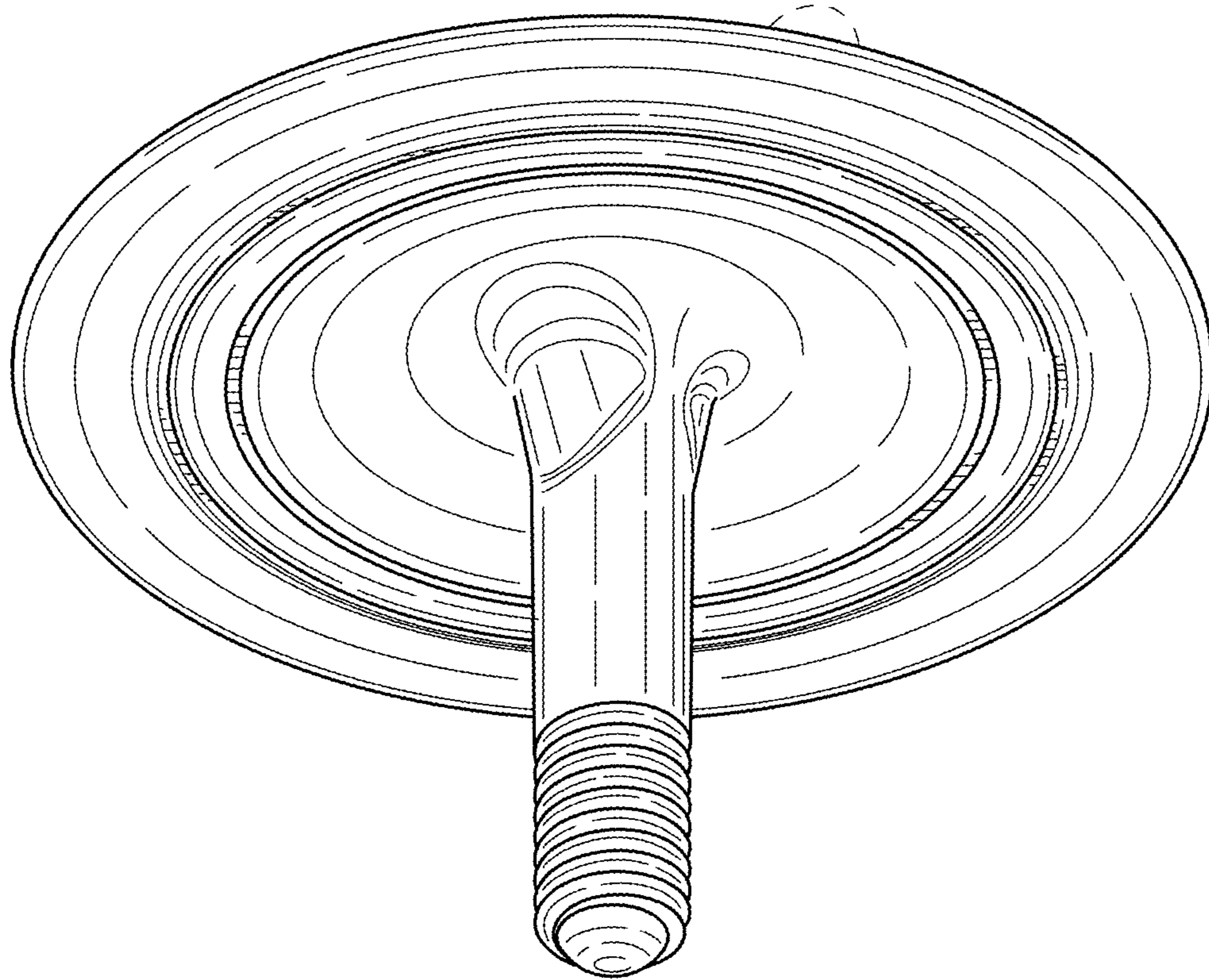


FIG.2

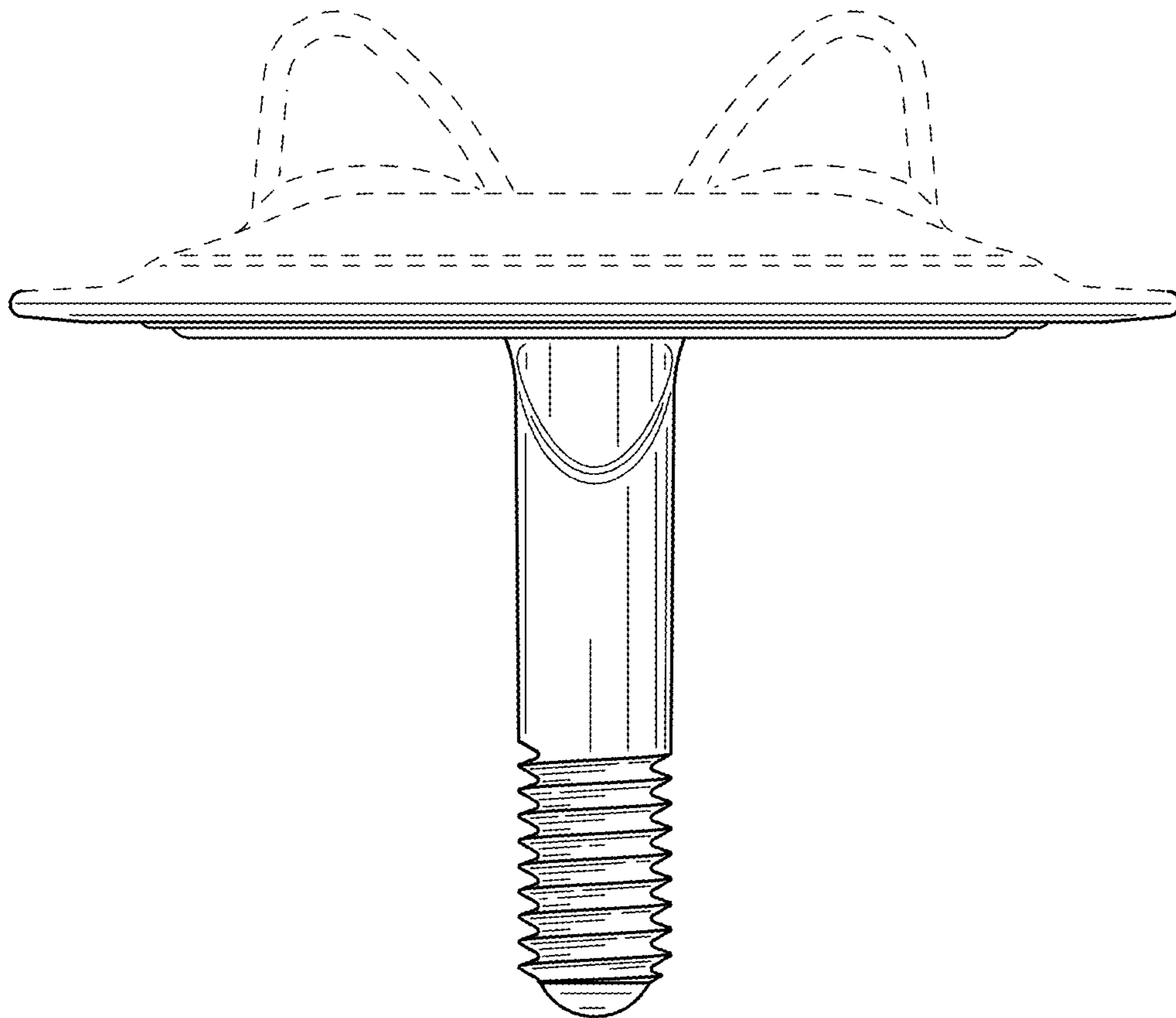


FIG.3

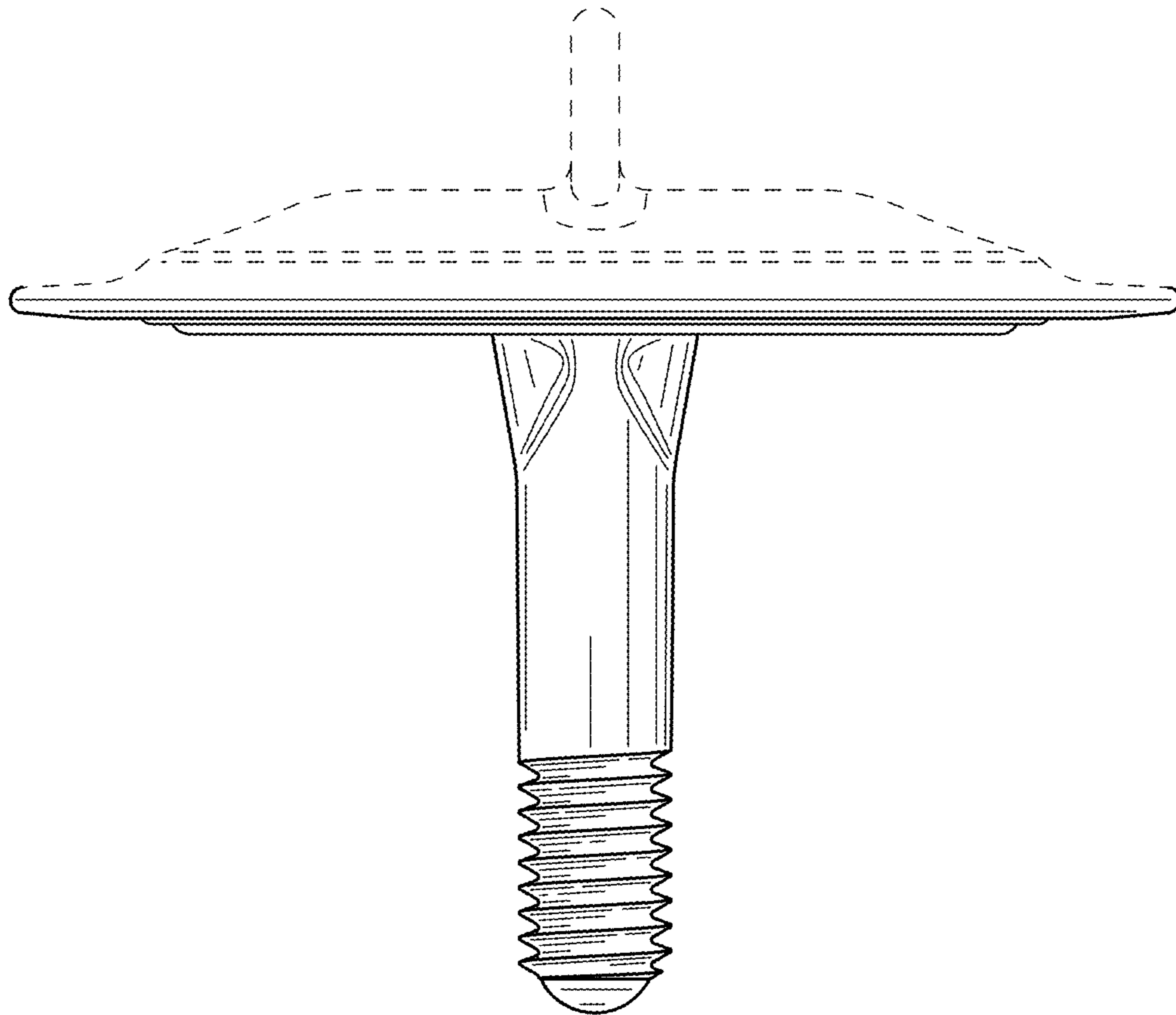


FIG.4

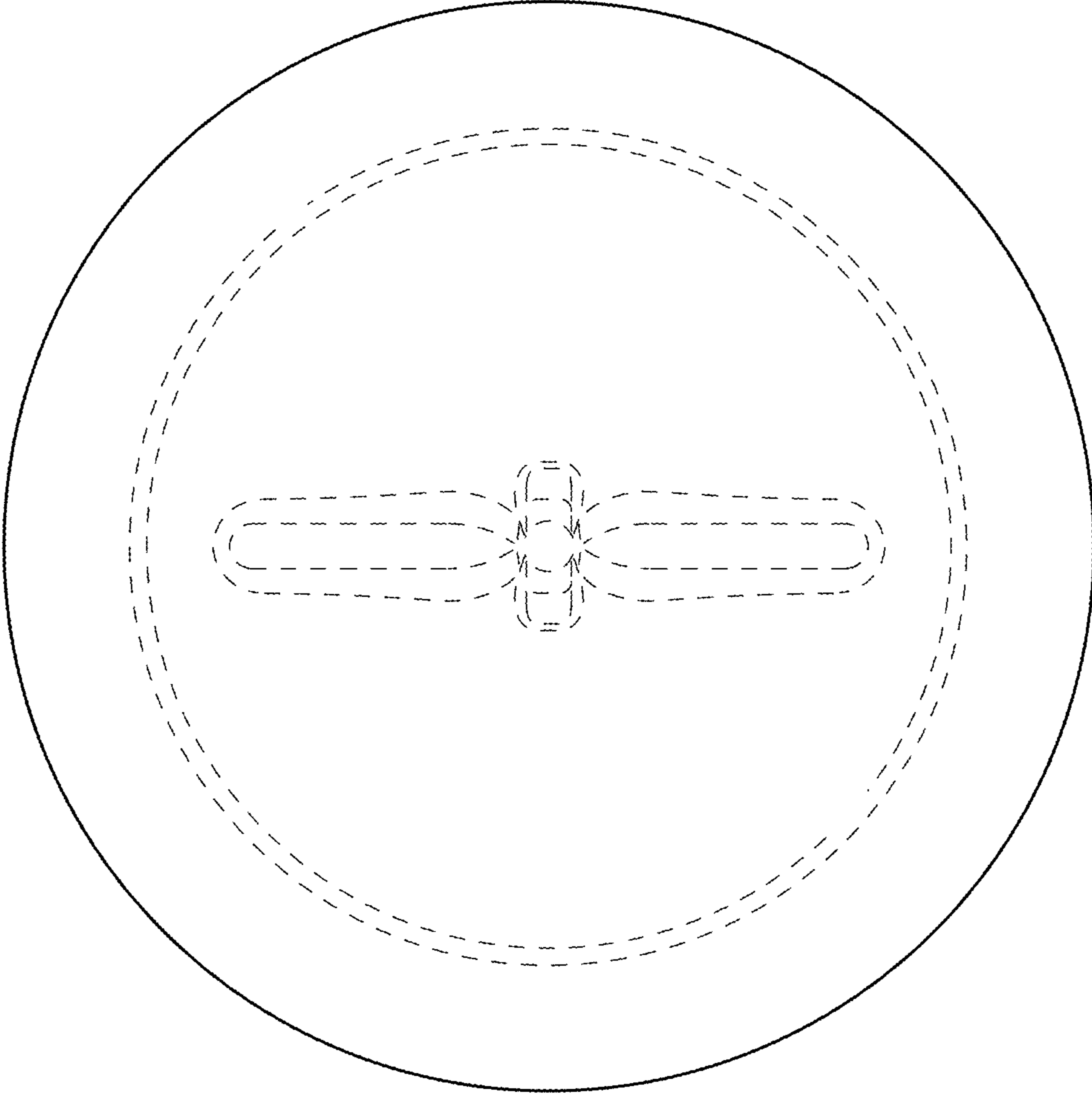


FIG.5

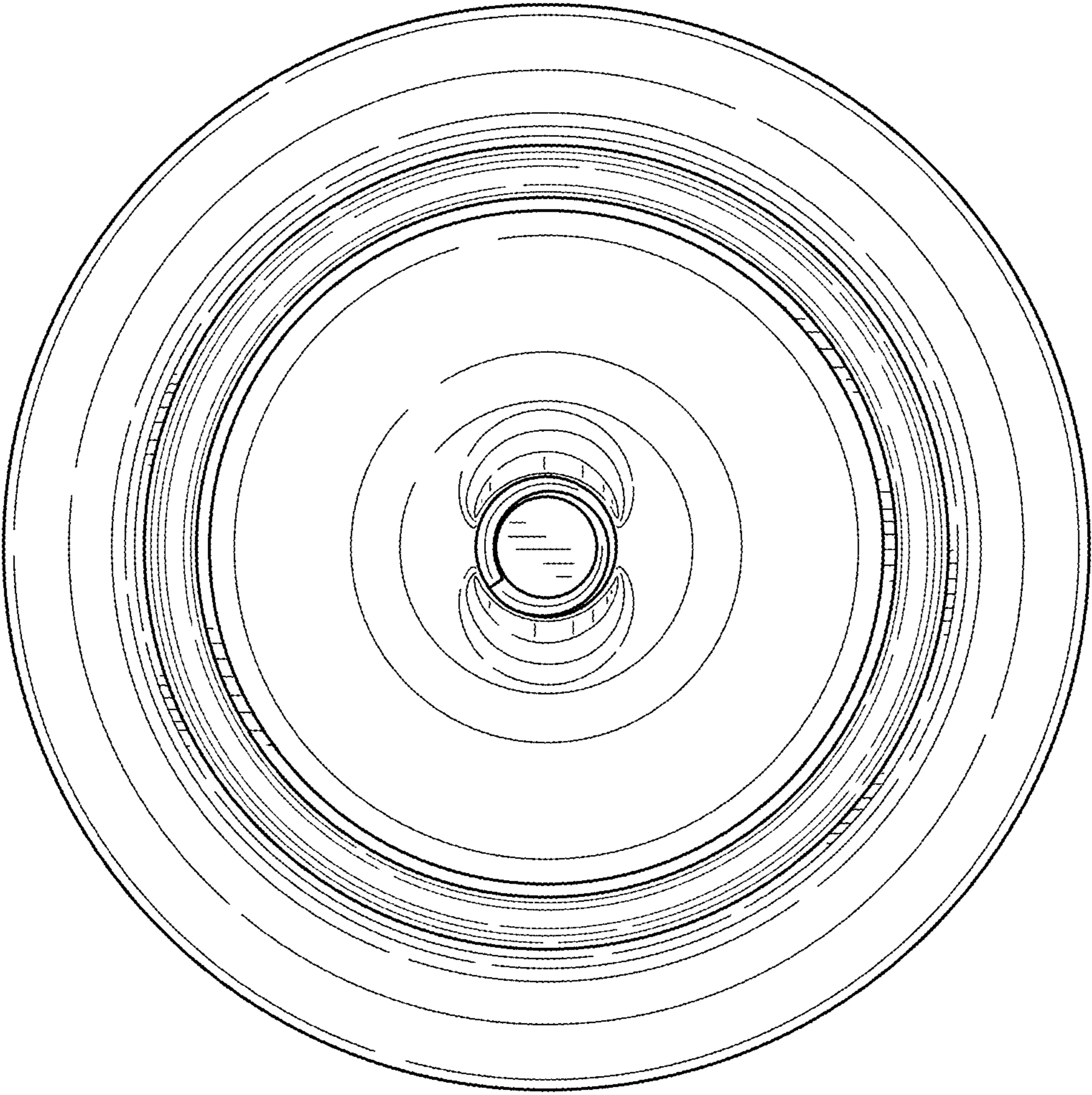


FIG. 6