

US00D876590S

(12) **United States Design Patent** (10) **Patent No.:** **US D876,590 S**
Fernandez (45) **Date of Patent:** **** Feb. 25, 2020**

(54) **SADDLE CONNECTOR**
(71) Applicant: **Joseph Christopher Fernandez**, Chula Vista, CA (US)
(72) Inventor: **Joseph Christopher Fernandez**, Chula Vista, CA (US)
(**) Term: **15 Years**

D717,410 S 11/2014 Menno
D726,285 S 4/2015 Menno
D727,471 S * 4/2015 Corcoran D23/262
2006/0151997 A1 * 7/2006 Sayers F16L 41/06
285/197
2014/0077491 A1 * 3/2014 Jung F16L 41/06
285/197
2015/0210005 A1 7/2015 Uliel
2015/0211662 A1 * 7/2015 Corcoran F16L 41/082
285/179

(Continued)

(21) Appl. No.: **29/632,954**
(22) Filed: **Jan. 11, 2018**
(51) **LOC (12) Cl.** **23-01**
(52) **U.S. Cl.**
USPC **D23/259**
(58) **Field of Classification Search**
USPC D23/259, 262–266, 245; 285/197–200,
285/129.1, 124.3–124.4, 124.1, 133.11,
285/136.1, 133.3–133.6, 369, 372–373,
285/417; 138/97–99; 137/315.2
CPC F16L 41/06; F16L 17/10; F16L 2201/10;
F16L 21/002; B29C 65/34
See application file for complete search history.

OTHER PUBLICATIONS

Georg Fischer Central Plastics; Branch Saddles Data Sheet; [https://gfpiping.sharepoint.com/sites/webtools/Documents/GFPS%20-%20Utility%20Website/GFCP%20-%20Document%20Downloads/GFCP%20-%20Product%20Datasheets/Datasheet%20-%20Electrofusion%20Fittings%20-%20Branch%20Saddles%20\(UNDER%20CLAMP%20TYPE](https://gfpiping.sharepoint.com/sites/webtools/Documents/GFPS%20-%20Utility%20Website/GFCP%20-%20Document%20Downloads/GFCP%20-%20Product%20Datasheets/Datasheet%20-%20Electrofusion%20Fittings%20-%20Branch%20Saddles%20(UNDER%20CLAMP%20TYPE) (Year: 2013).*

(Continued)

Primary Examiner — Amy C Wierenga
(74) *Attorney, Agent, or Firm* — Mark Wisnosky

(56) **References Cited**

U.S. PATENT DOCUMENTS

3,403,730 A * 10/1968 Williams F04F 5/46
166/85.2
4,966,397 A * 10/1990 McKinnon F16L 47/30
285/197
5,020,832 A * 6/1991 Coblentz F16L 47/30
285/133.11
D334,050 S * 3/1993 Foxlee D23/263
D363,115 S * 10/1995 Lennartsson D23/263
5,732,732 A * 3/1998 Gross F16L 41/06
137/318
5,988,199 A 11/1999 Ryan et al.
D451,984 S * 12/2001 Tigerholm D23/262
D451,985 S * 12/2001 Tigerholm D23/262
D521,633 S * 5/2006 Stout, Jr. D23/393
8,128,128 B2 * 3/2012 Dittly F16L 41/12
285/197
D681,159 S * 4/2013 Ben-Horin D23/209

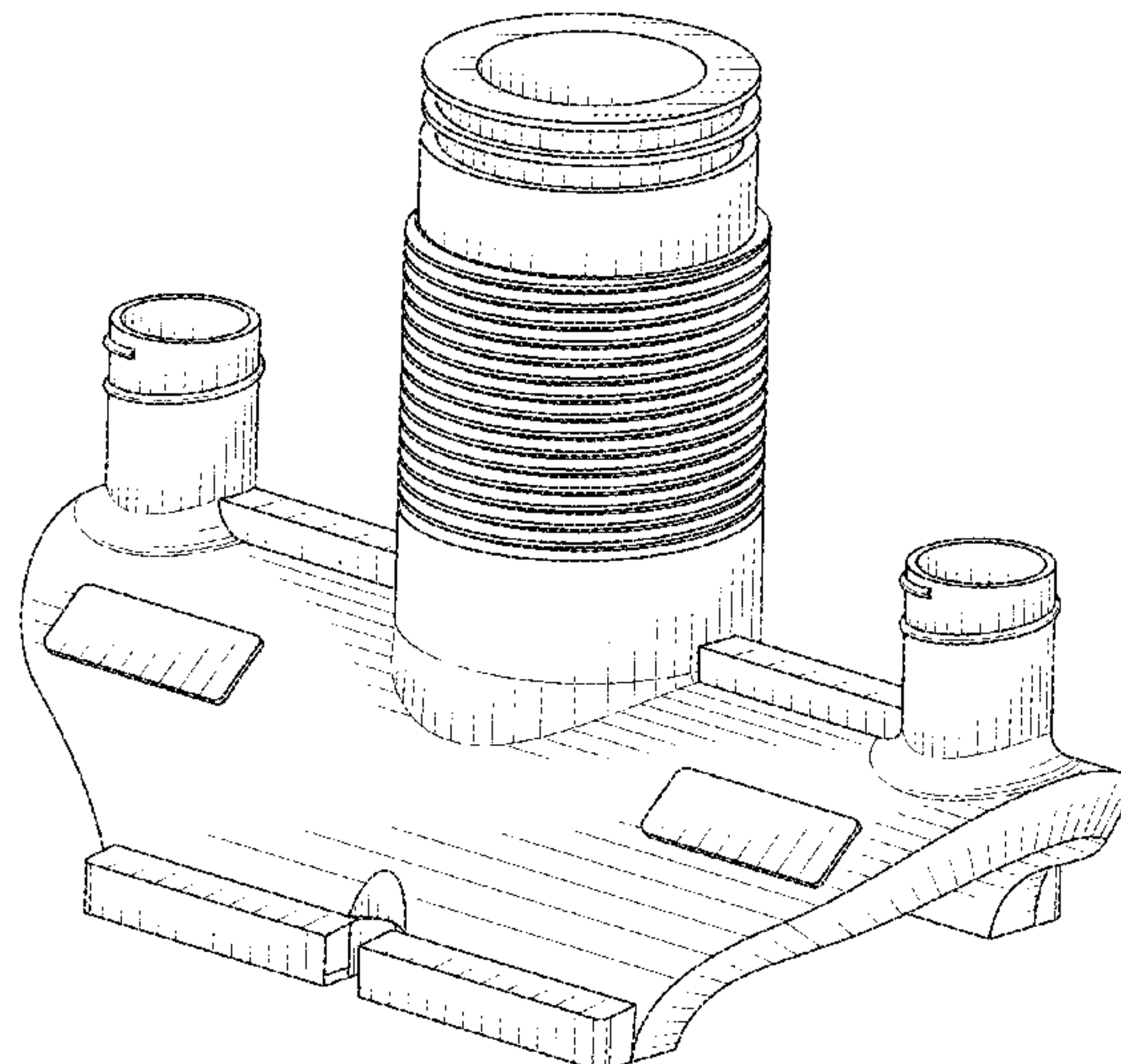
(57) **CLAIM**

The ornamental design for a saddle connector, as shown and described.

DESCRIPTION

FIG. 1 is a front elevation view of a saddle connector;
FIG. 2 is a front elevation view of the saddle connector shown in use on a pipe;
FIG. 3 is a front view thereof;
FIG. 4 is a back view thereof;
FIG. 5 is a right side view thereof;
FIG. 6 is a left side view thereof;
FIG. 7 is a top view thereof; and,
FIG. 8 is a bottom view thereof.
The broken lines in FIG. 2 illustrate environmental structure that form no part of the claimed design.

1 Claim, 8 Drawing Sheets



(56)

References Cited

U.S. PATENT DOCUMENTS

2015/0300549 A1* 10/2015 Cheng-Sheng F16L 41/12
285/197
2016/0279861 A1* 9/2016 Shik Kwak B29C 65/3444
2019/0137024 A1* 5/2019 Cooper F16L 13/02

OTHER PUBLICATIONS

Chengdu Chuangrong Trading Co. Ltd., Electrofusion Branch Saddle Fitting, <http://cnchuangrong.en.made-in-china.com/product/iBdxUZIrAXhY/China-D90-40-315-160-Electrofusion-Branch-Saddle-Fitting.html>, (visited Jan. 11, 2018).

* cited by examiner

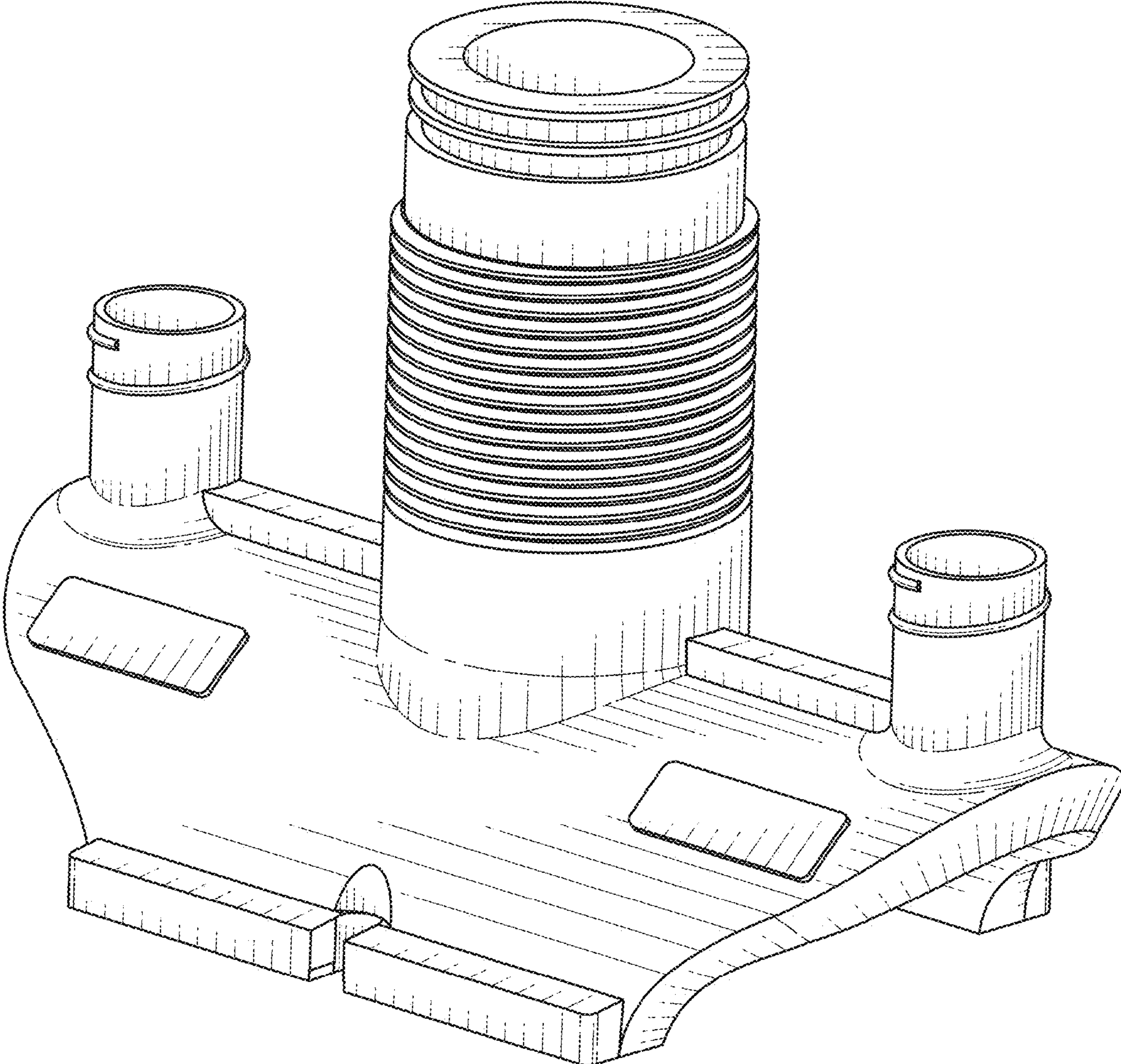


FIG. 1

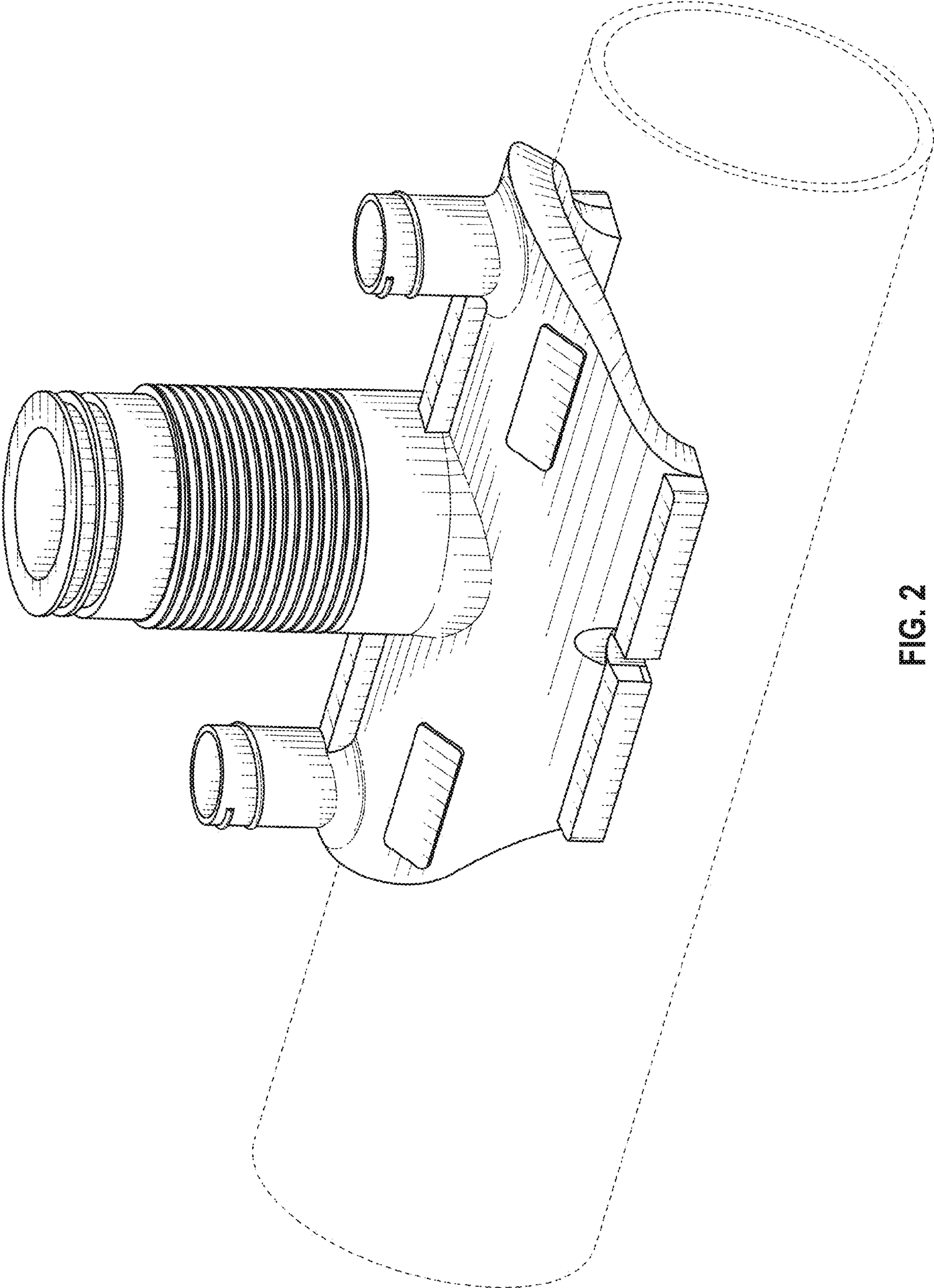


FIG. 2

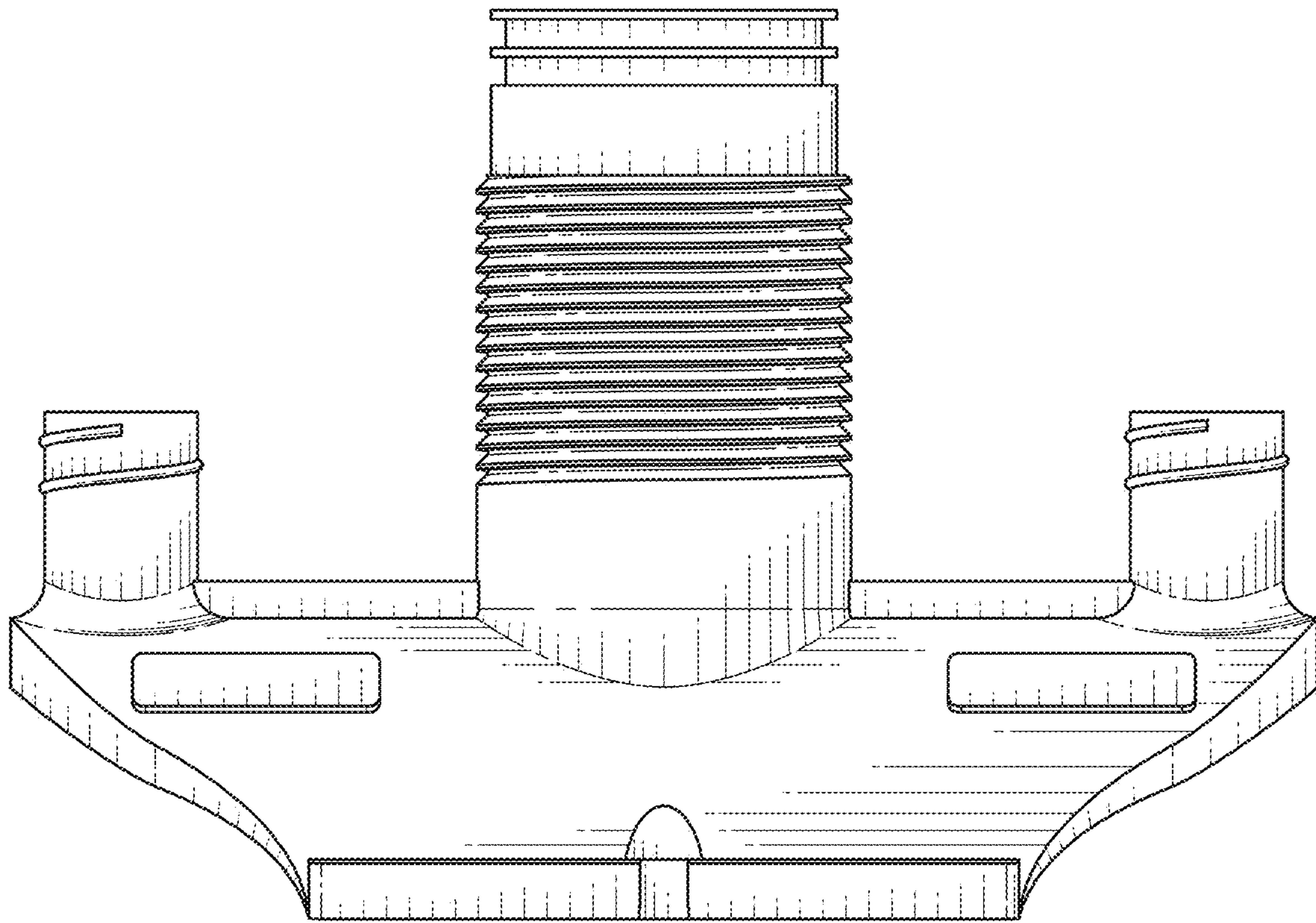


FIG. 3

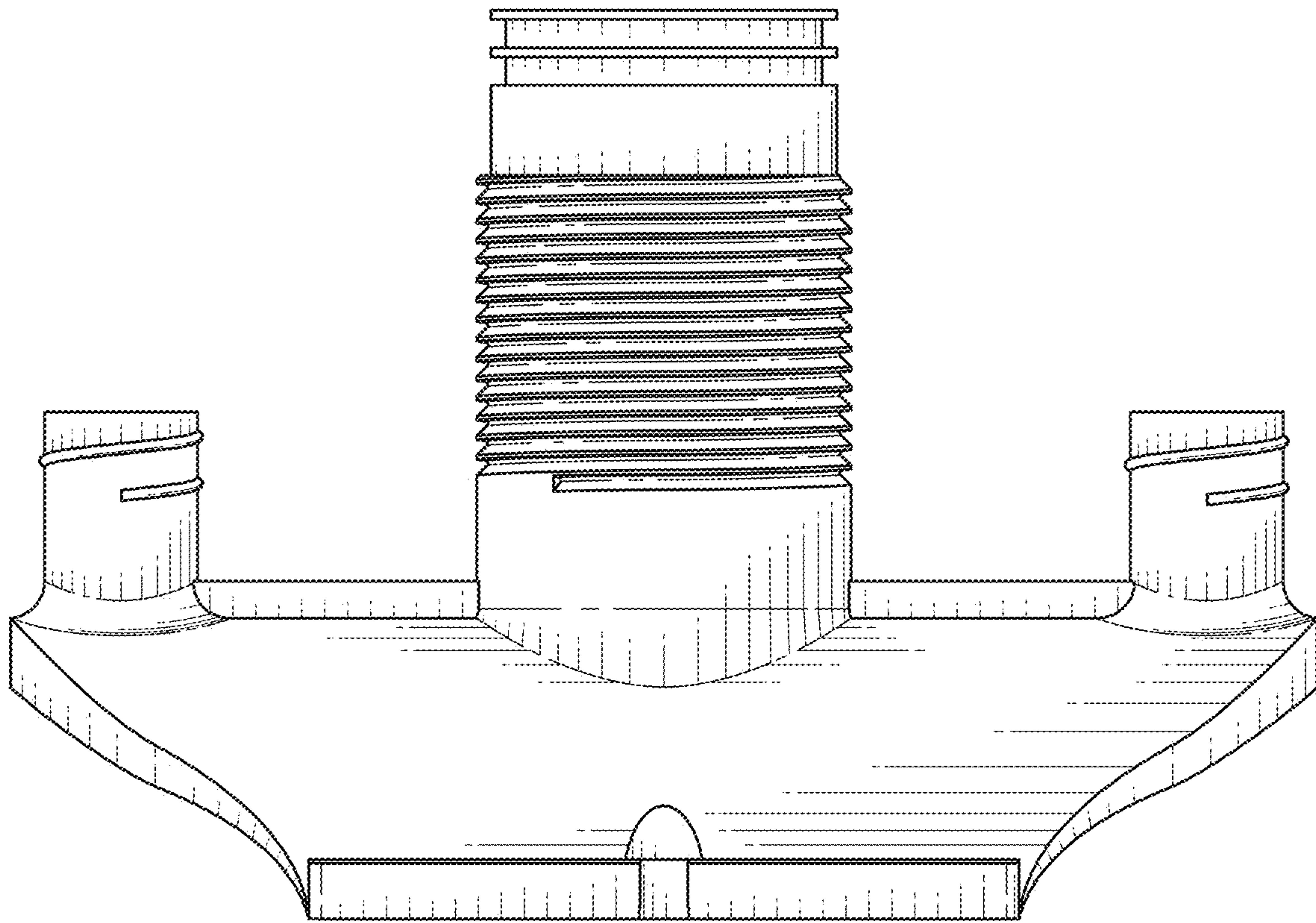


FIG. 4

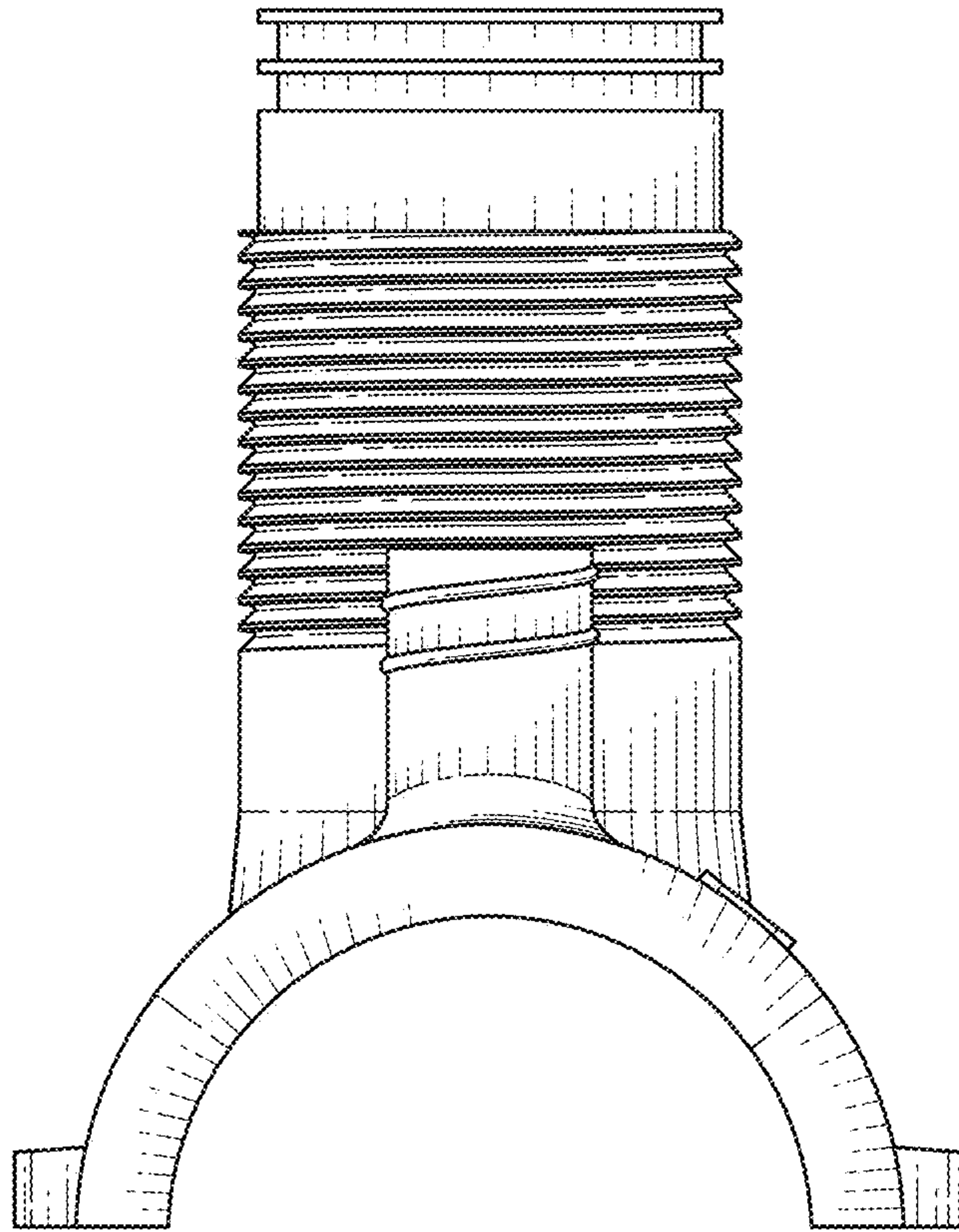


FIG. 5

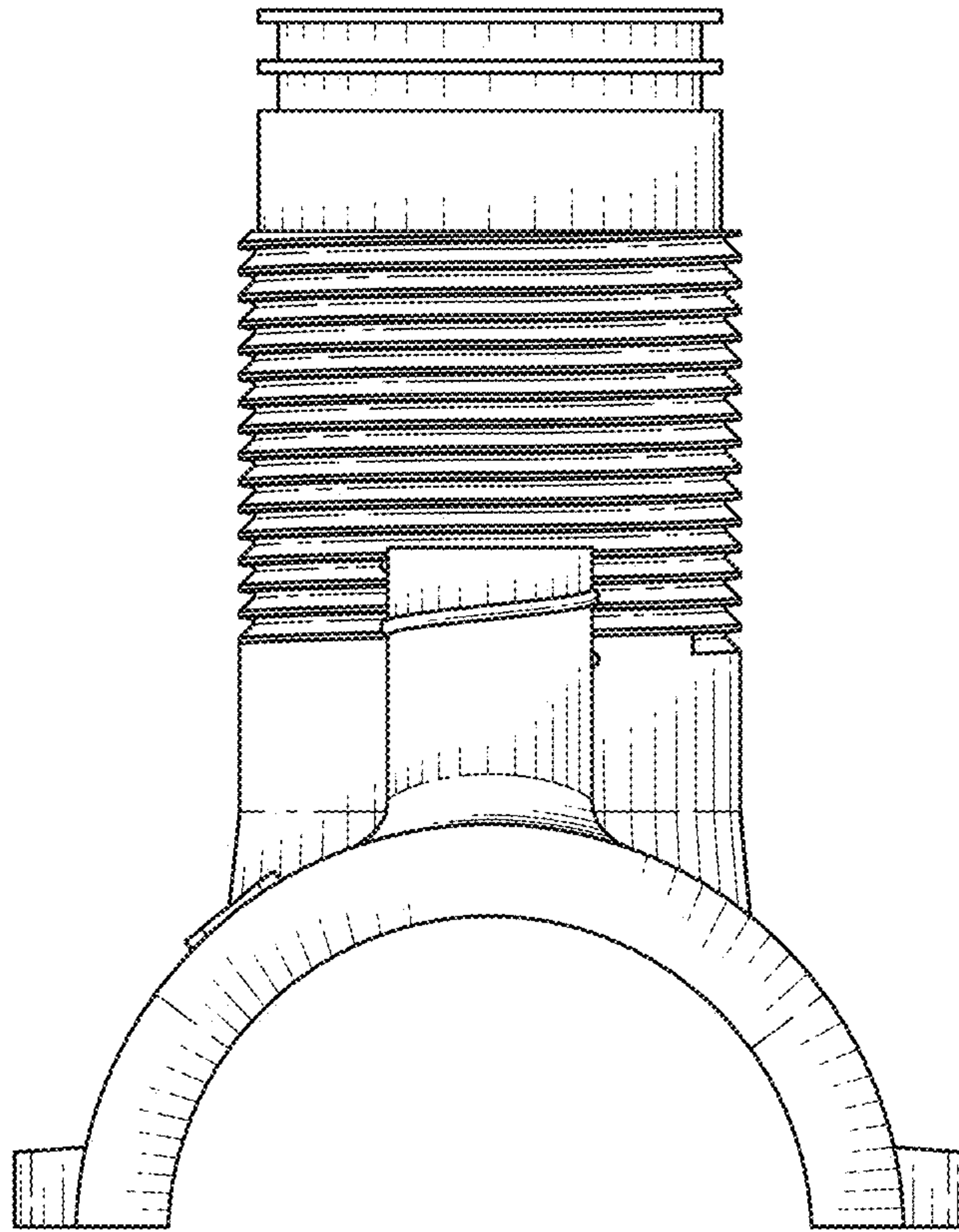


FIG. 6

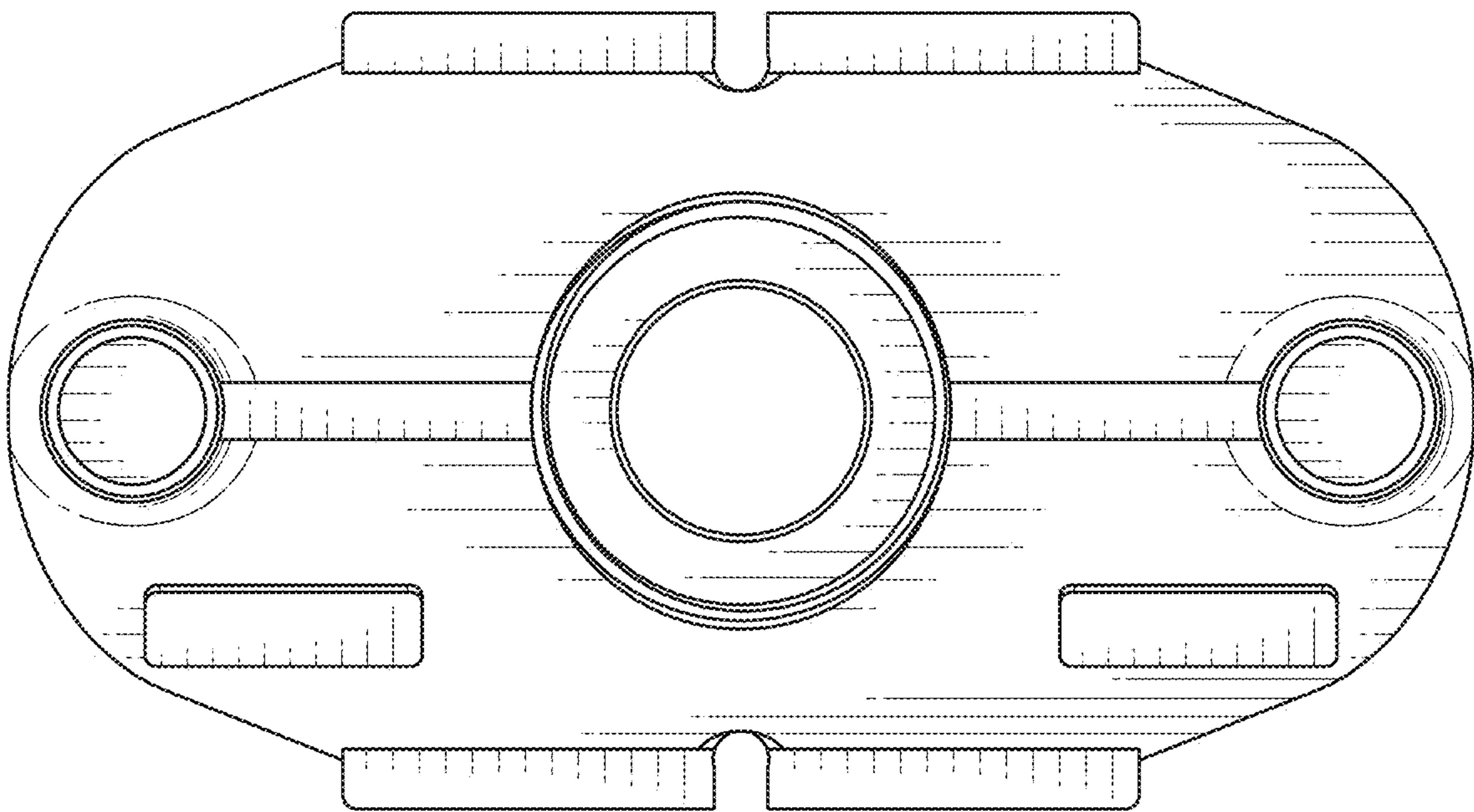


FIG. 7

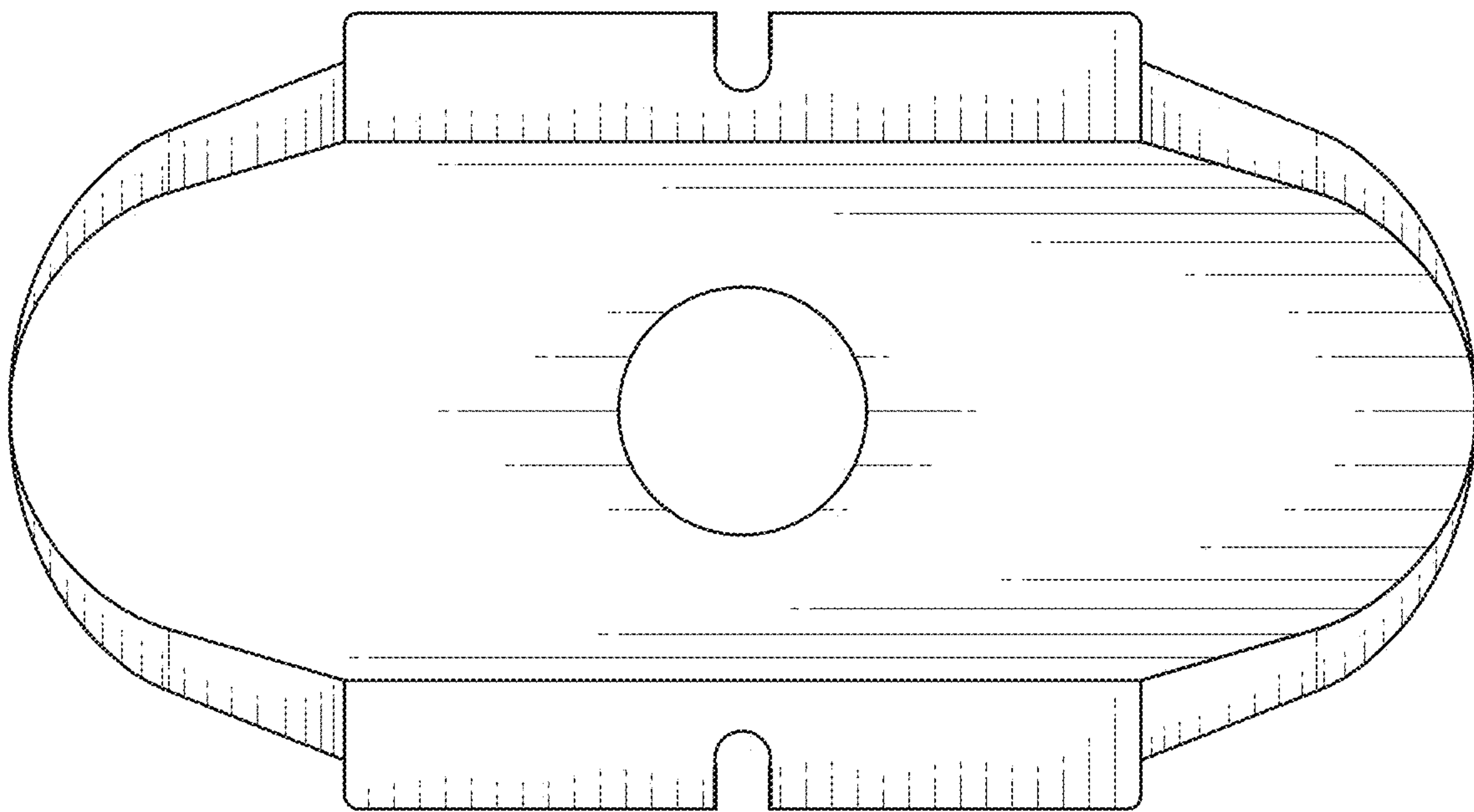


FIG. 8