



US00D876589S

(12) **United States Design Patent**
Murata et al.

(10) **Patent No.:** **US D876,589 S**

(45) **Date of Patent:** **** Feb. 25, 2020**

(54) **COIL ASSEMBLY FOR A SOLENOID VALVE**

(71) Applicant: **SAGINOMIYA SEISAKUSHO, INC.**,
Tokyo (JP)

(72) Inventors: **Masahiro Murata**, Sayama (JP);
Yutaka Koyama, Sayama (JP);
Daiichiro Kemmotsu, Sayama (JP);
Ryo Mitome, Sayama (JP); **Seiichi**
Nakano, Sayama (JP)

(73) Assignee: **SAGINOMIYA SEISAKUSHO, INC.**,
Tokyo (JP)

(**) Term: **15 Years**

(21) Appl. No.: **29/611,983**

(22) Filed: **Jul. 27, 2017**

(30) **Foreign Application Priority Data**

Jan. 31, 2017 (JP) 2017-1660
Jan. 31, 2017 (JP) 2017-1661
Jul. 21, 2017 (JP) 2017-15790
Jul. 21, 2017 (JP) 2017-15791
Jul. 21, 2017 (JP) 2017-15792
Jul. 21, 2017 (JP) 2017-15793

(51) **LOC (12) Cl.** **23-01**

(52) **U.S. Cl.**
USPC **D23/249**

(58) **Field of Classification Search**
USPC D23/233-250; 251/129.15, 129.1,
251/129.01, 129.21, 315.03
CPC F16K 27/003; F16K 31/06; F16K 31/0675;
F16K 27/029
See application file for complete search history.

(56) **References Cited**

U.S. PATENT DOCUMENTS

5,710,535 A * 1/1998 Goloff H01F 27/29
174/151
6,073,904 A * 6/2000 Diller F16K 31/082
251/30.03

D615,618 S * 5/2010 Someya D23/233
D791,917 S * 7/2017 Itoh D23/233
D825,717 S * 8/2018 Karibe D23/233
D825,718 S * 8/2018 Karibe D23/233
D826,377 S * 8/2018 Karibe D23/233

(Continued)

Primary Examiner — Gino Colan

(74) *Attorney, Agent, or Firm* — Reising Ethington P.C.

(57) **CLAIM**

We claim the ornamental design of a coil assembly for solenoid valve, as shown and described.

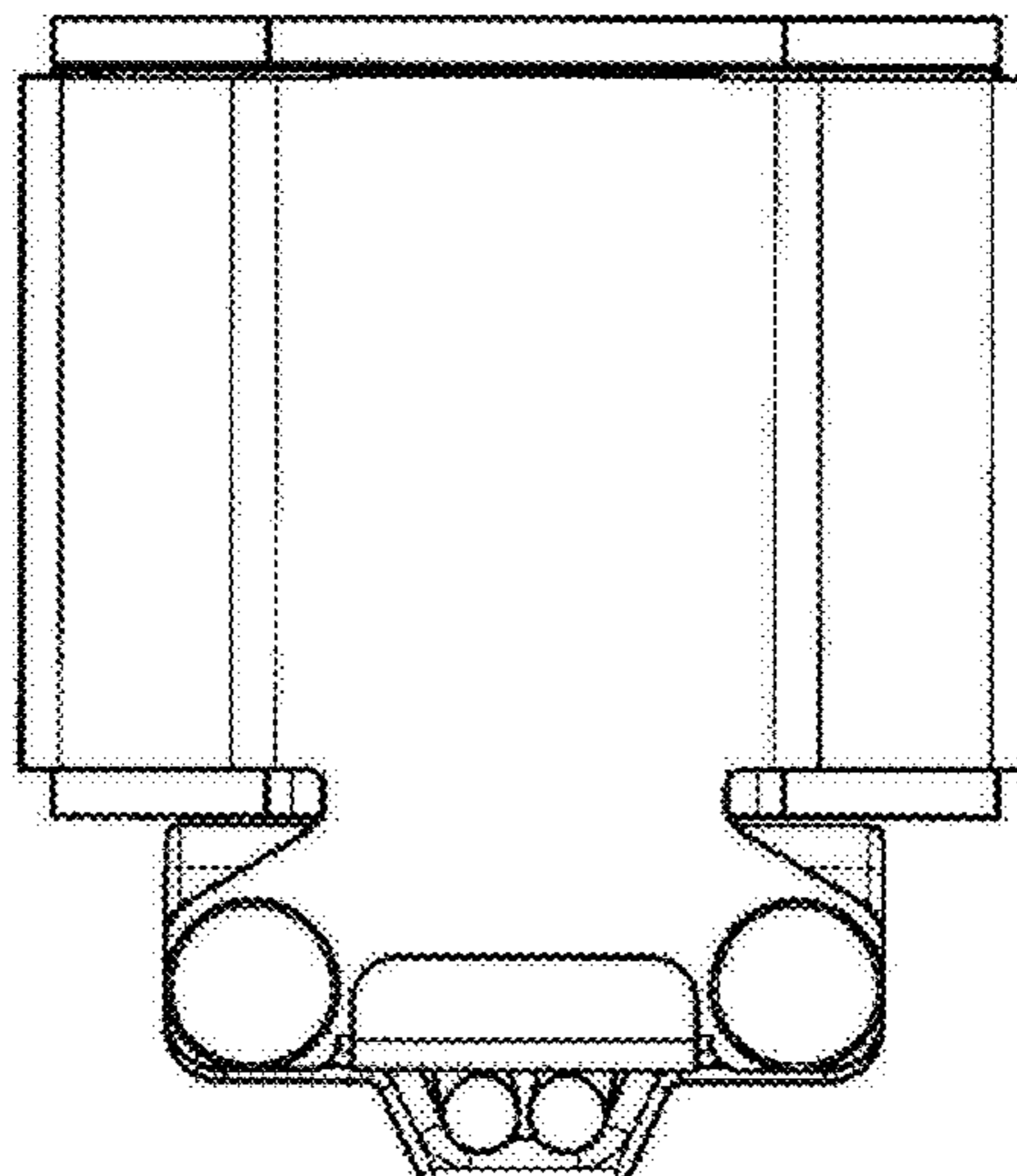
DESCRIPTION

FIG. 1 is a front elevation view of the coil assembly for a solenoid valve showing our new design;
FIG. 2 is a rear elevation view thereof;
FIG. 3 is a right side elevation view thereof;
FIG. 4 is a left side elevation view thereof;
FIG. 5 is a top plan view thereof;
FIG. 6 is a bottom plan view thereof;
FIG. 7 is a front, left and top perspective view thereof;
FIG. 8 is a rear, left and top perspective view thereof;
FIG. 9 is a front, left and bottom perspective view thereof;
FIG. 10 is a rear, left and bottom perspective view thereof;
and,
FIG. 11 is a front, left and bottom perspective view thereof, shown in condition of use.

The broken lines shown in FIG. 11 are for the purpose of illustrating environment which form no part of the claimed design.

The coil assembly for a solenoid valve is shown with a symbolic break in its length. The appearance of any portion of the article between the break lines forms no part of the claimed design.

1 Claim, 6 Drawing Sheets



(56)

References Cited

U.S. PATENT DOCUMENTS

10,072,764 B2 * 9/2018 No F16K 27/029
D839,994 S * 2/2019 Cole D23/249

* cited by examiner

FIG. 1

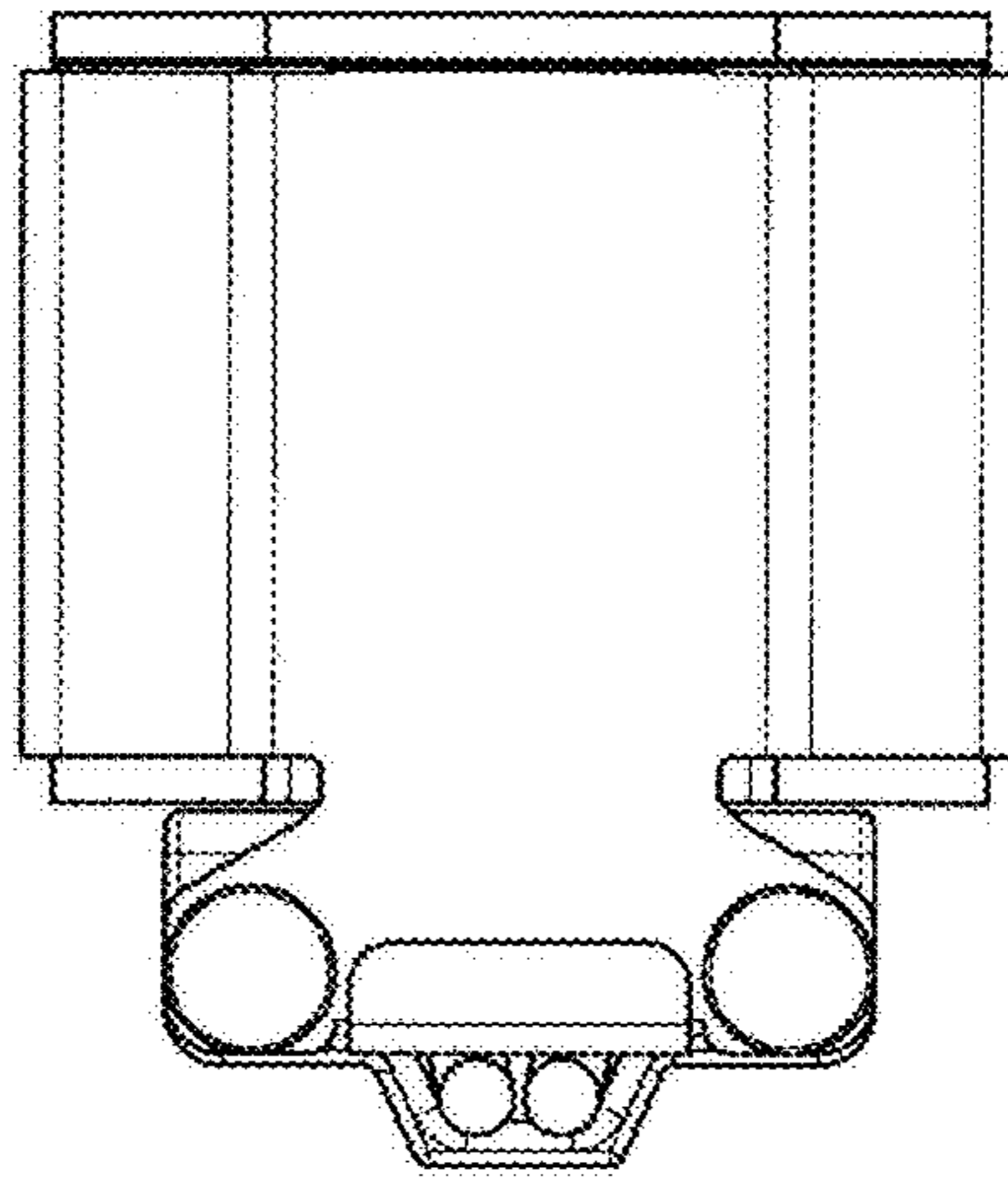


FIG. 2

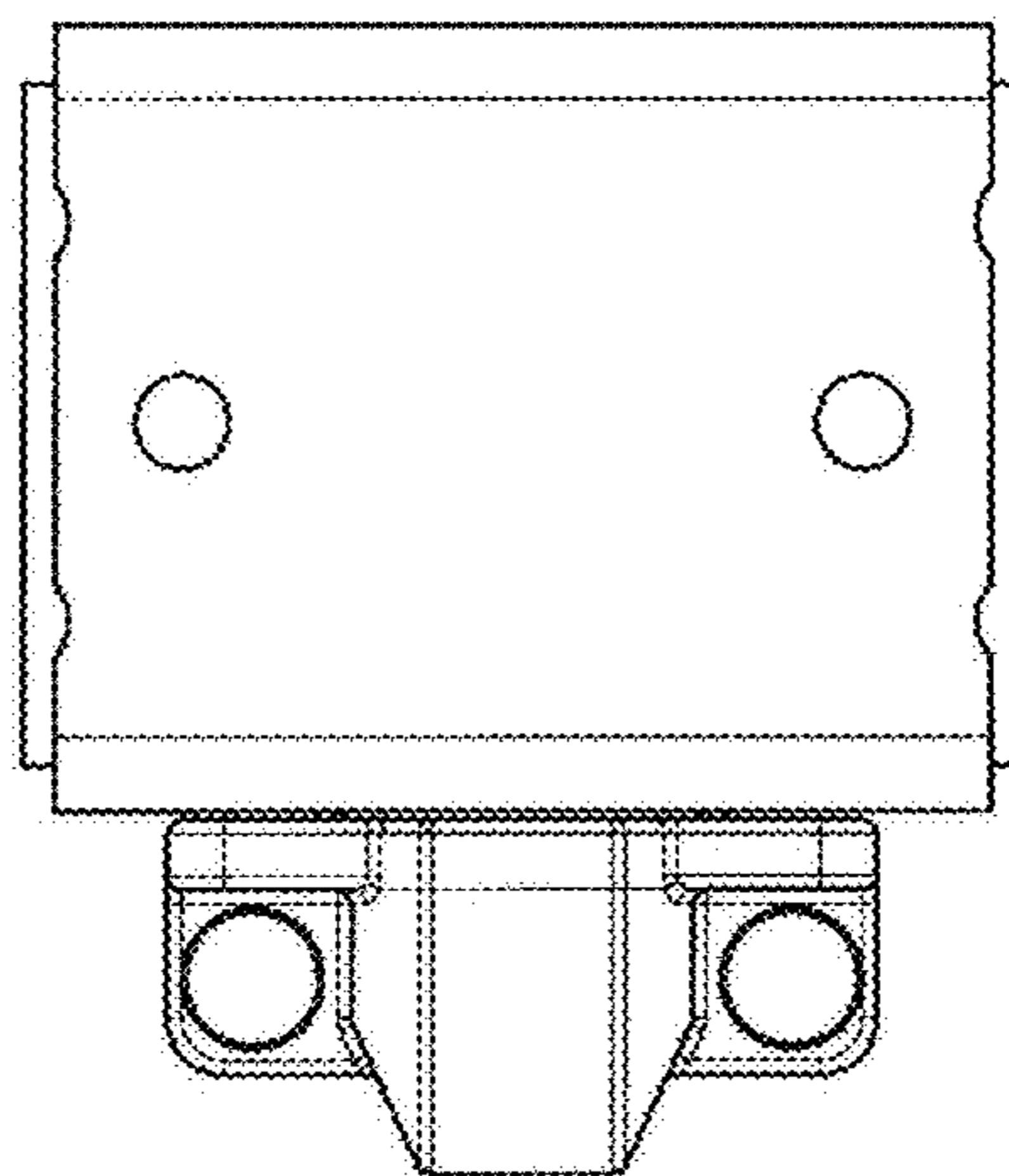


FIG. 3

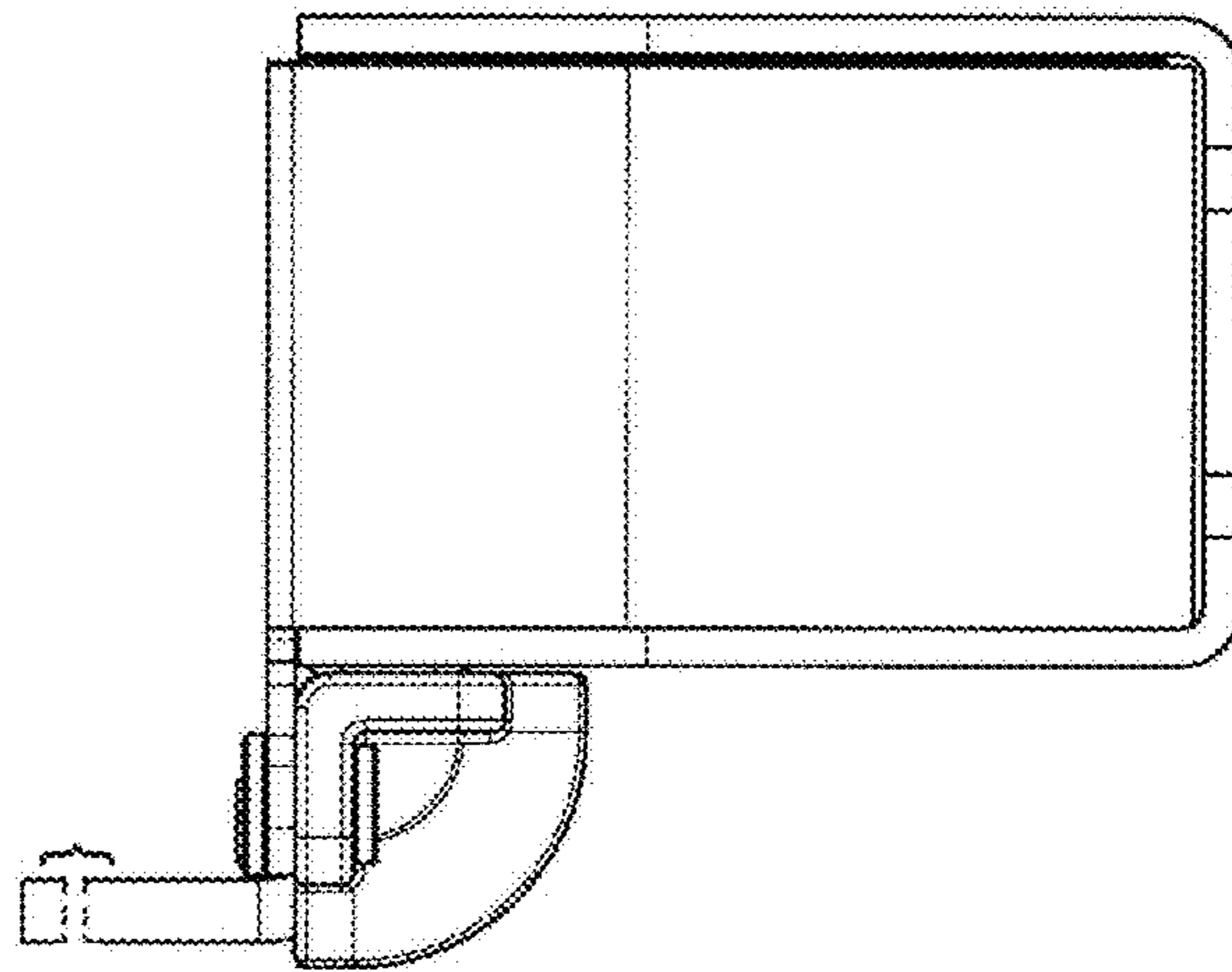


FIG. 4

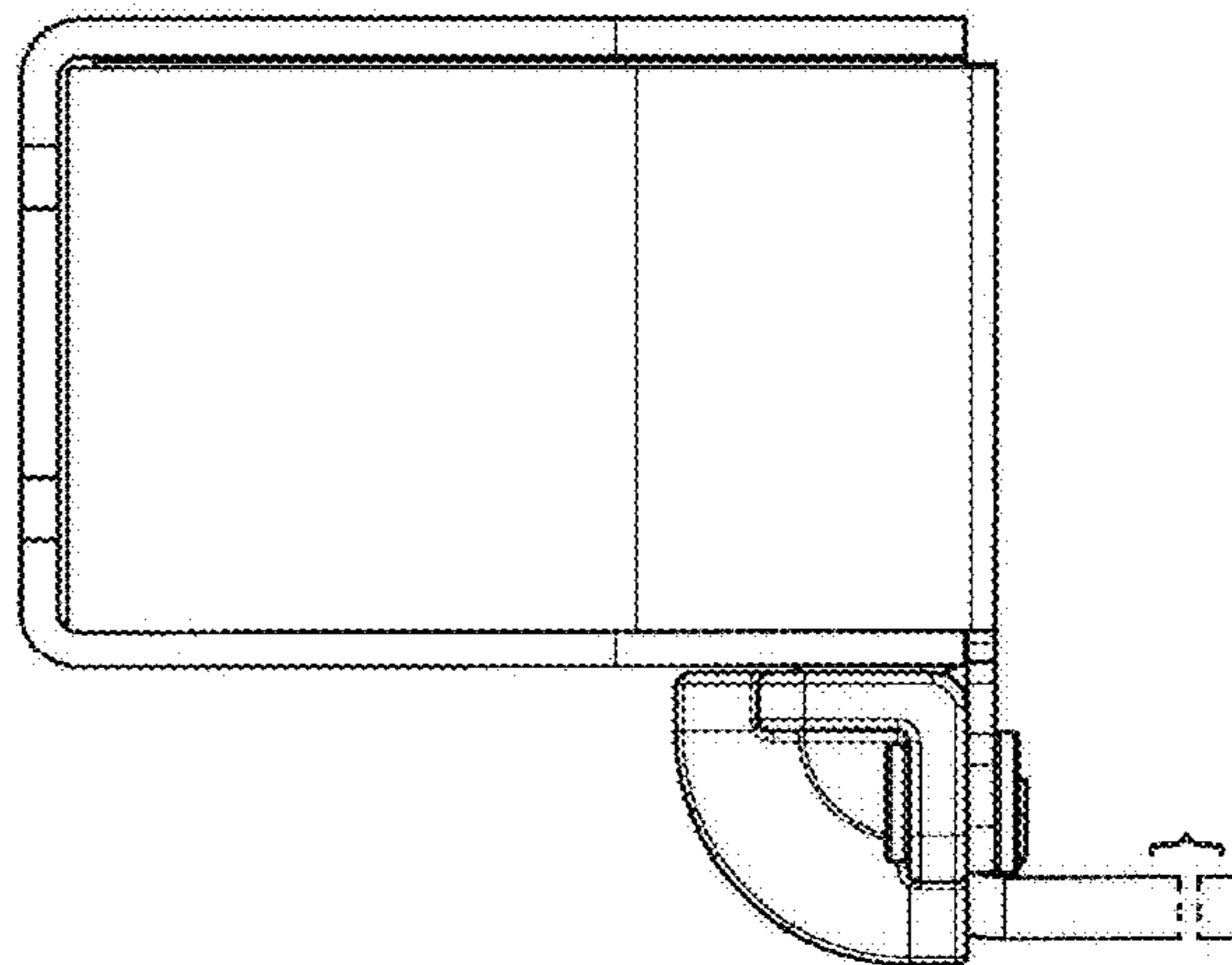


FIG. 5

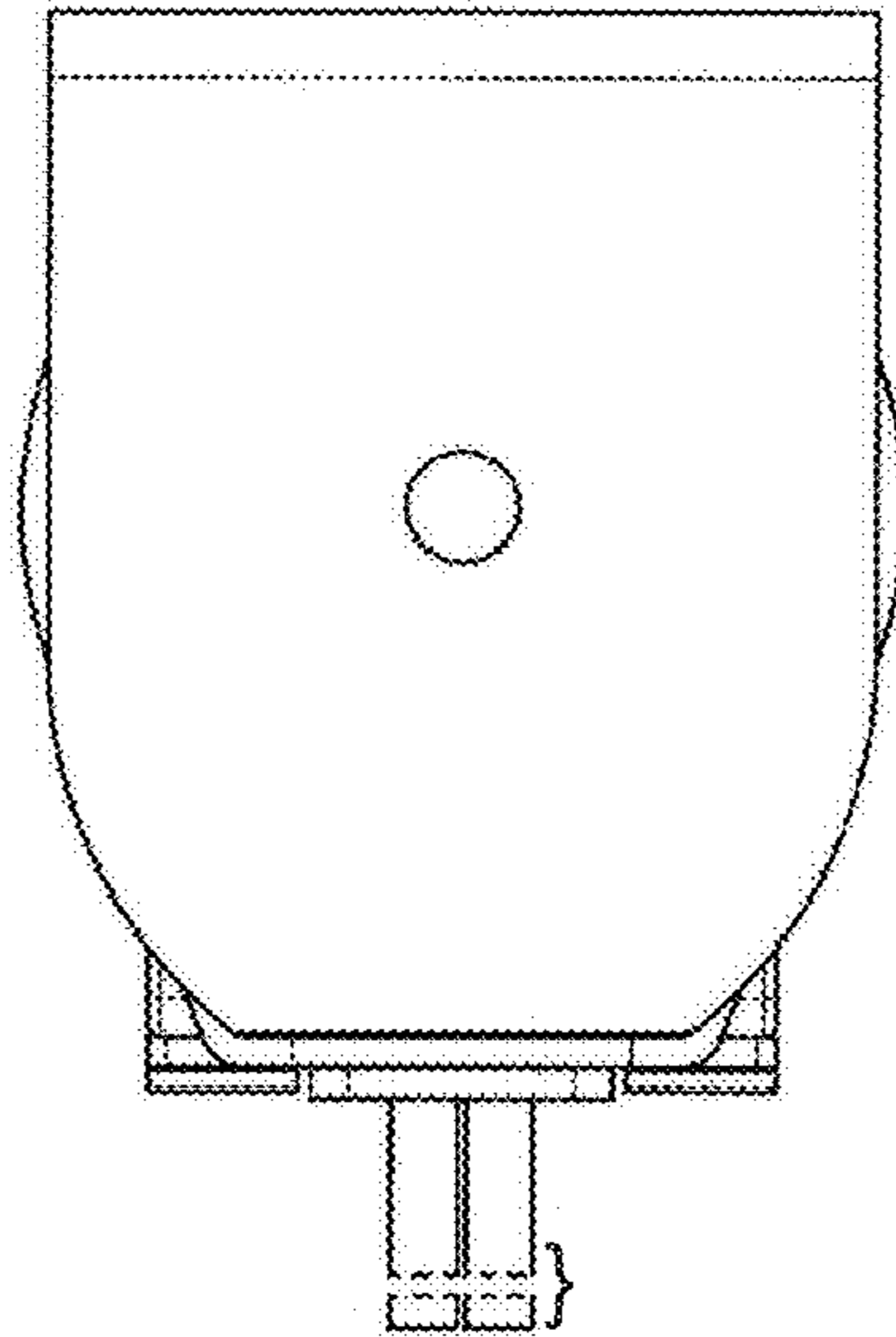


FIG. 6

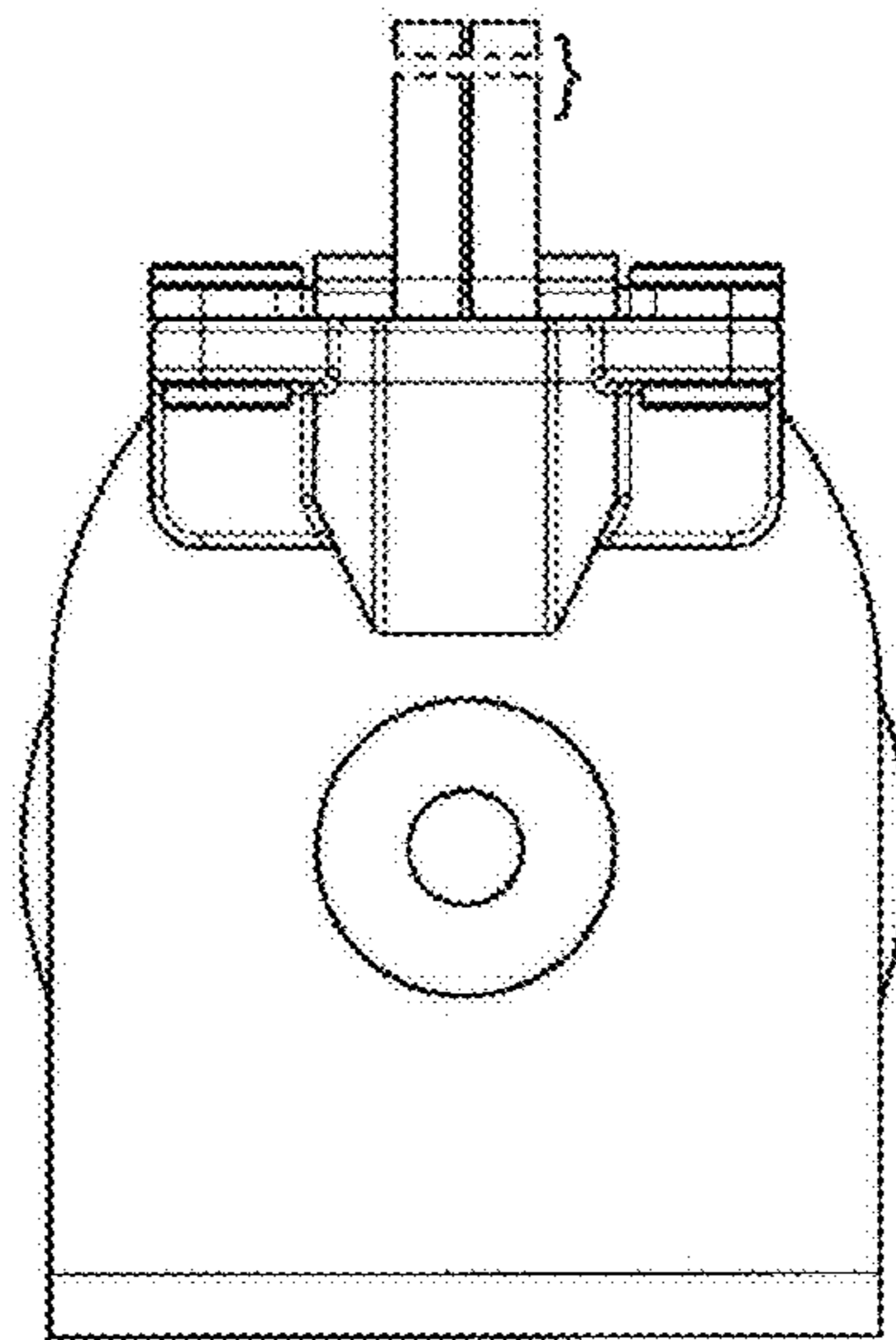


FIG. 7

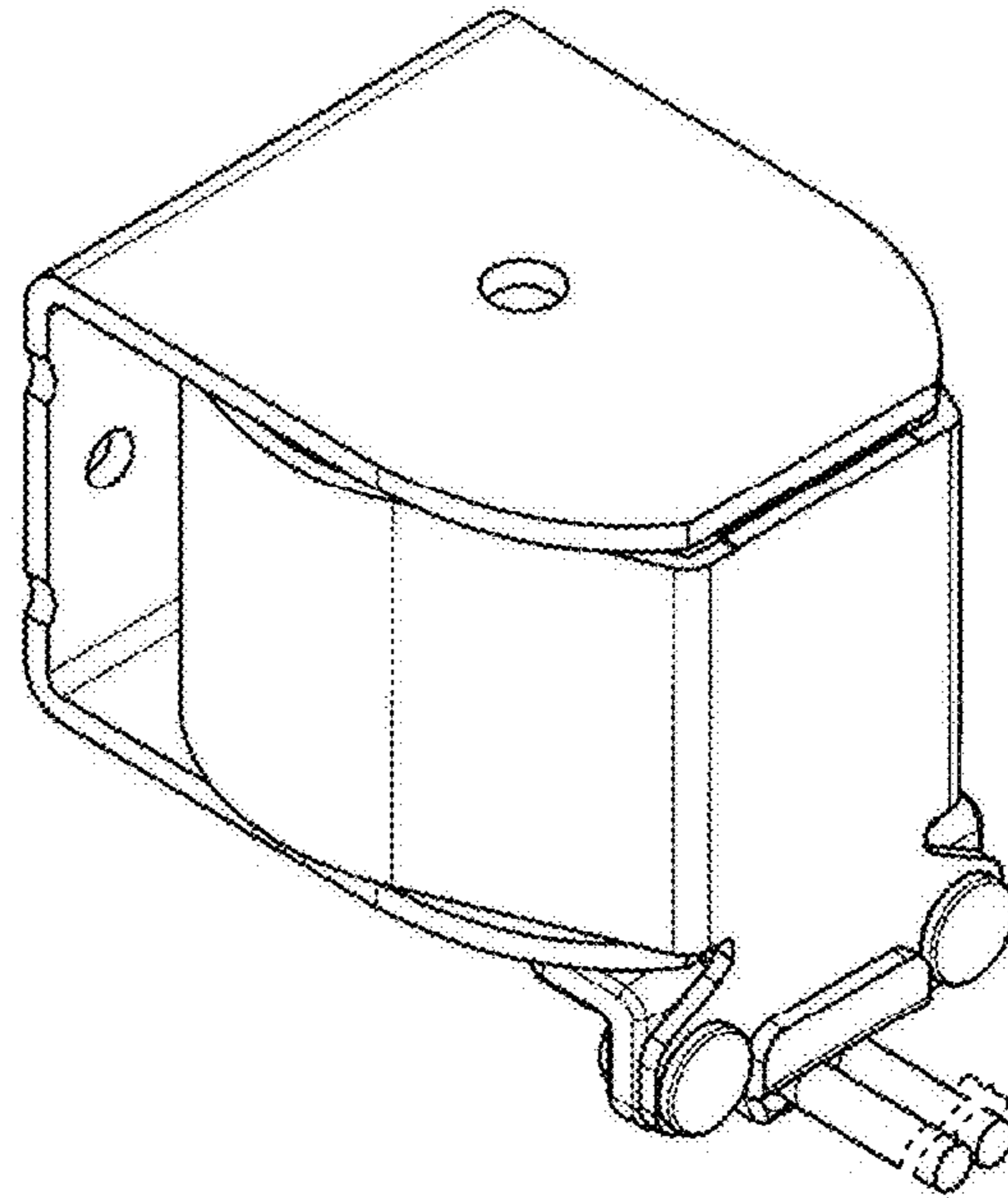


FIG. 8

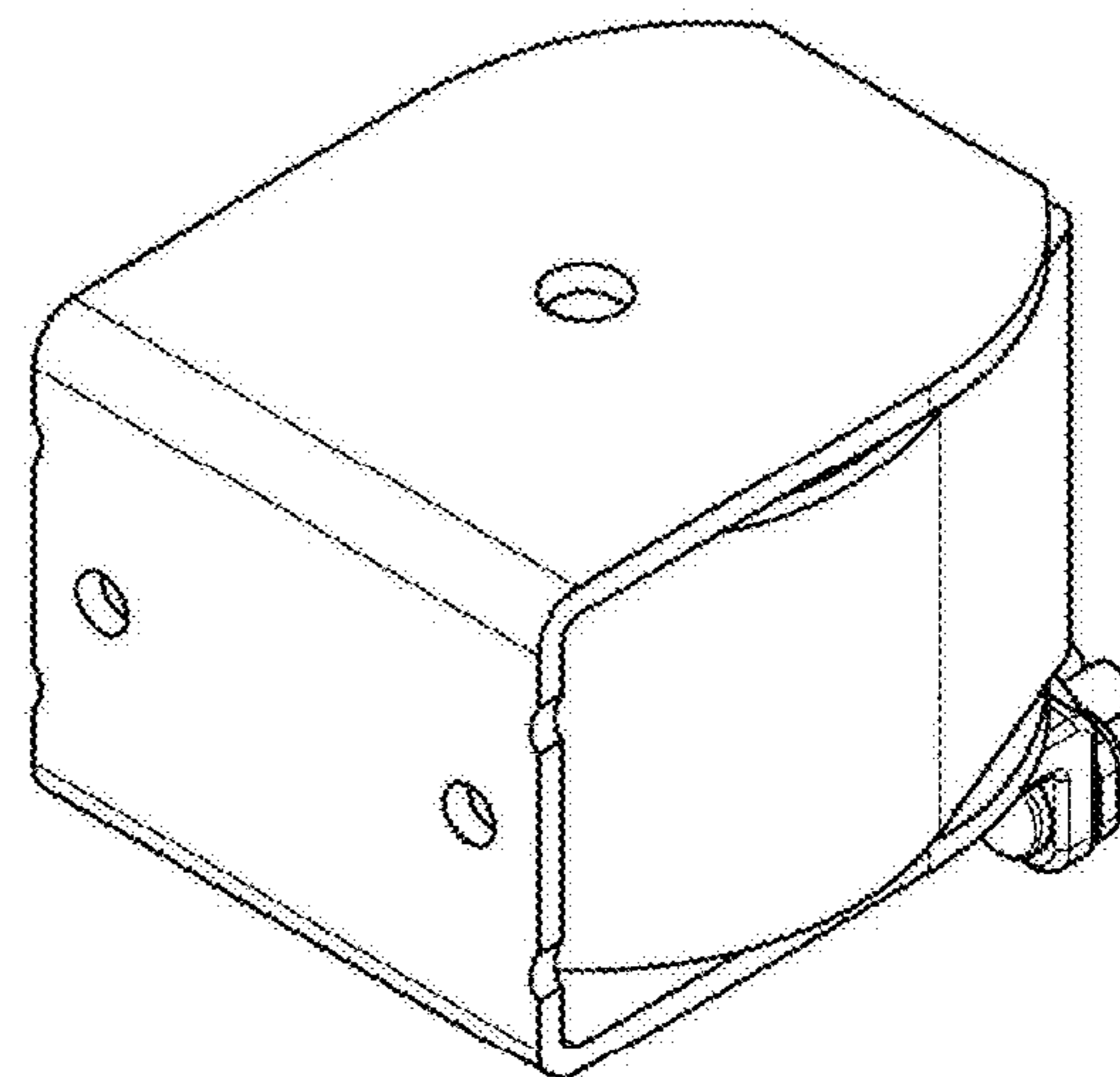


FIG. 9

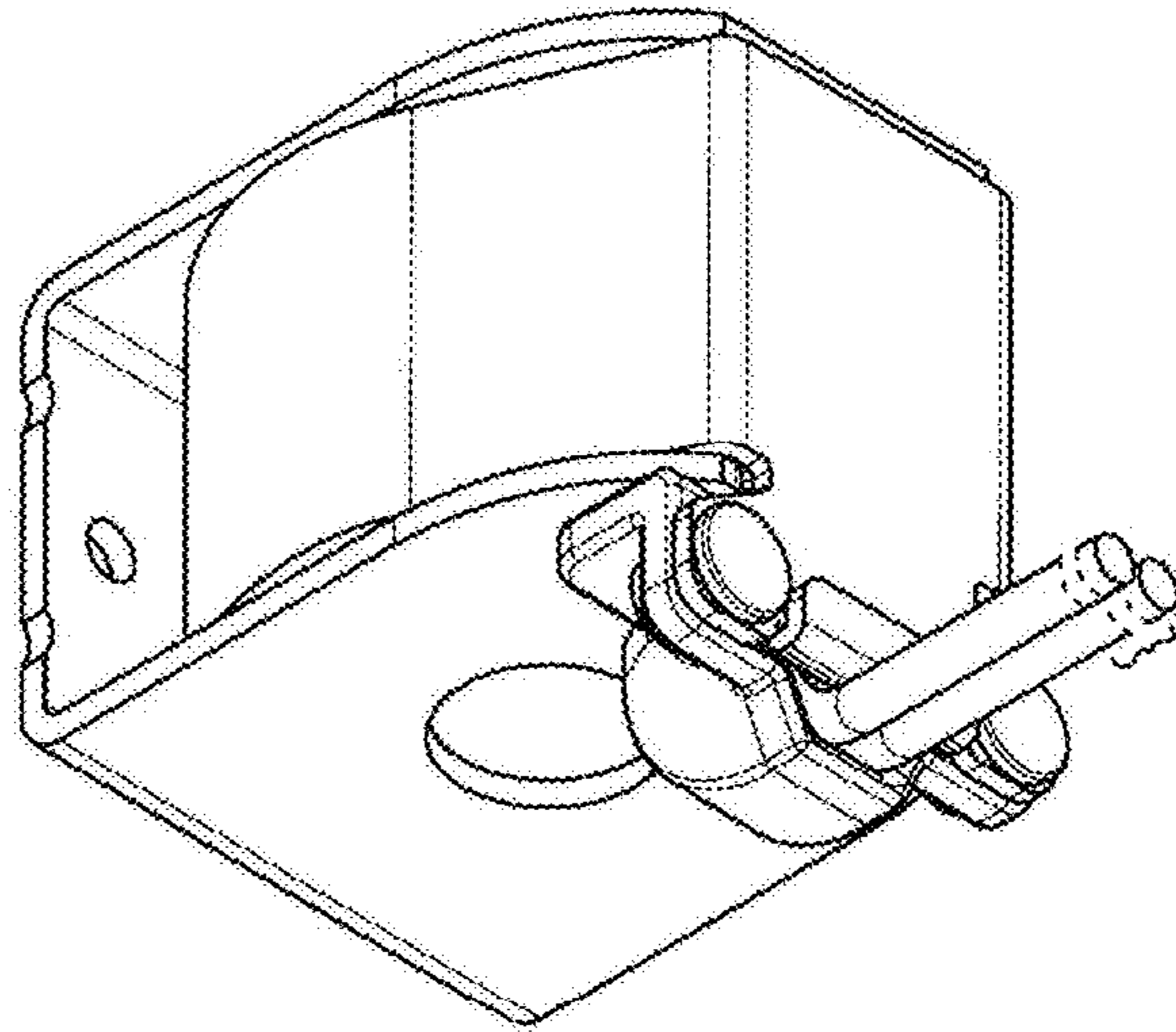


FIG. 10

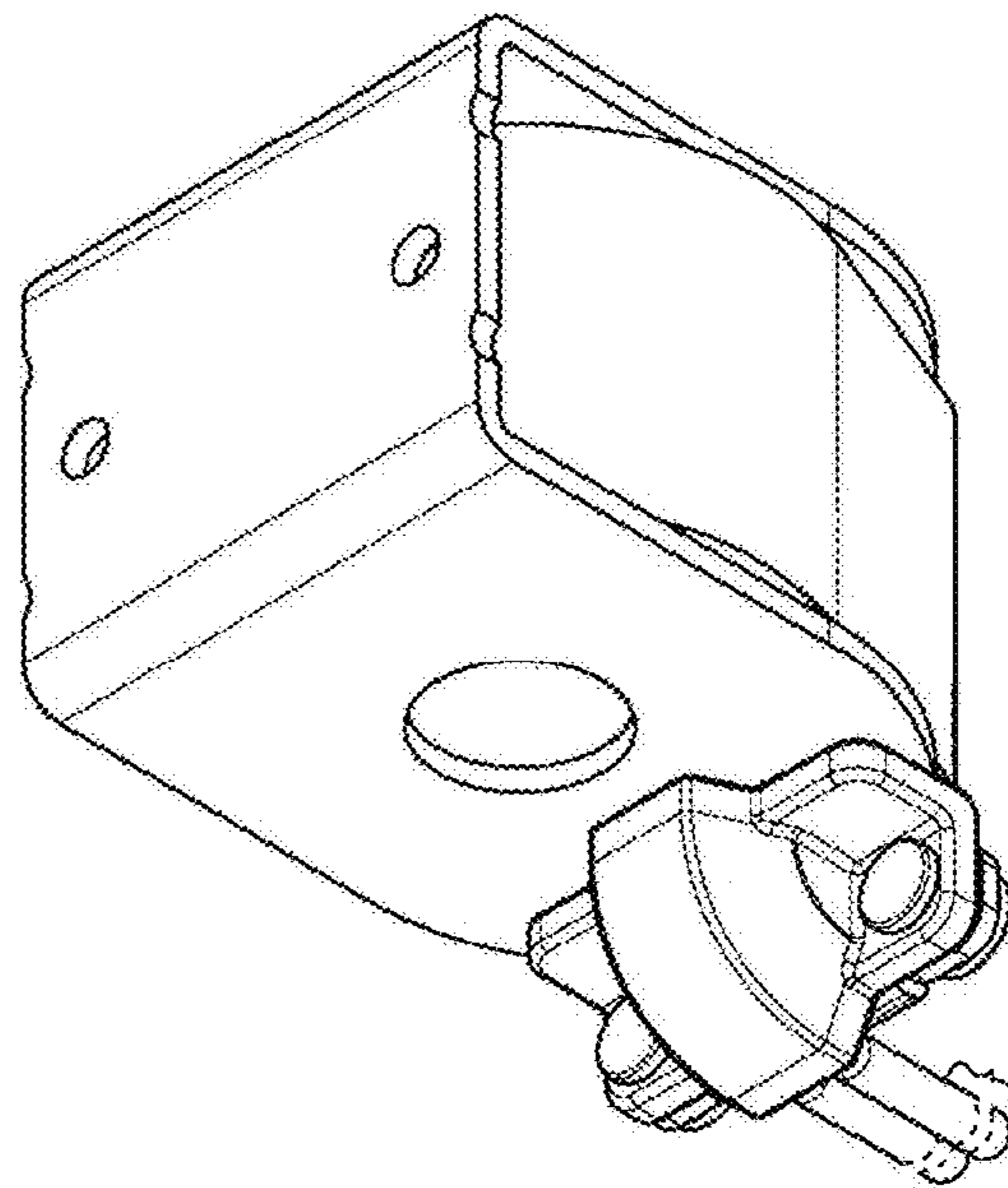


FIG. 11

