



US00D876588S

(12) **United States Design Patent**
Garland

(10) **Patent No.:** **US D876,588 S**

(45) **Date of Patent:** **** Feb. 25, 2020**

(54) **FAUCET BODY**

(71) Applicant: **DELTA FAUCET COMPANY,**
Indianapolis, IN (US)

(72) Inventor: **Celine Kwok Garland,** Zionsville, IN
(US)

(73) Assignee: **DELTA FAUCET COMPANY,**
Indianapolis, IN (US)

(**) Term: **15 Years**

(21) Appl. No.: **29/638,500**

(22) Filed: **Feb. 27, 2018**

(51) **LOC (12) Cl.** **23-01**

(52) **U.S. Cl.**
USPC **D23/238**

(58) **Field of Classification Search**
USPC D23/238-243, 255, 257
CPC E03C 1/0412
See application file for complete search history.

(56) **References Cited**

U.S. PATENT DOCUMENTS

D530,786 S * 10/2006 Gilbert D23/238
D683,825 S * 6/2013 Sofield D23/255

D698,902 S * 2/2014 Gilbert D23/249
D719,642 S * 12/2014 Kim D23/249
D754,820 S * 4/2016 Bahler D23/238
D797,239 S * 9/2017 Downey D23/238

* cited by examiner

Primary Examiner — Robert A Delehanty

(74) *Attorney, Agent, or Firm* — Edgar A. Zarins; Nirav
D. Parikh

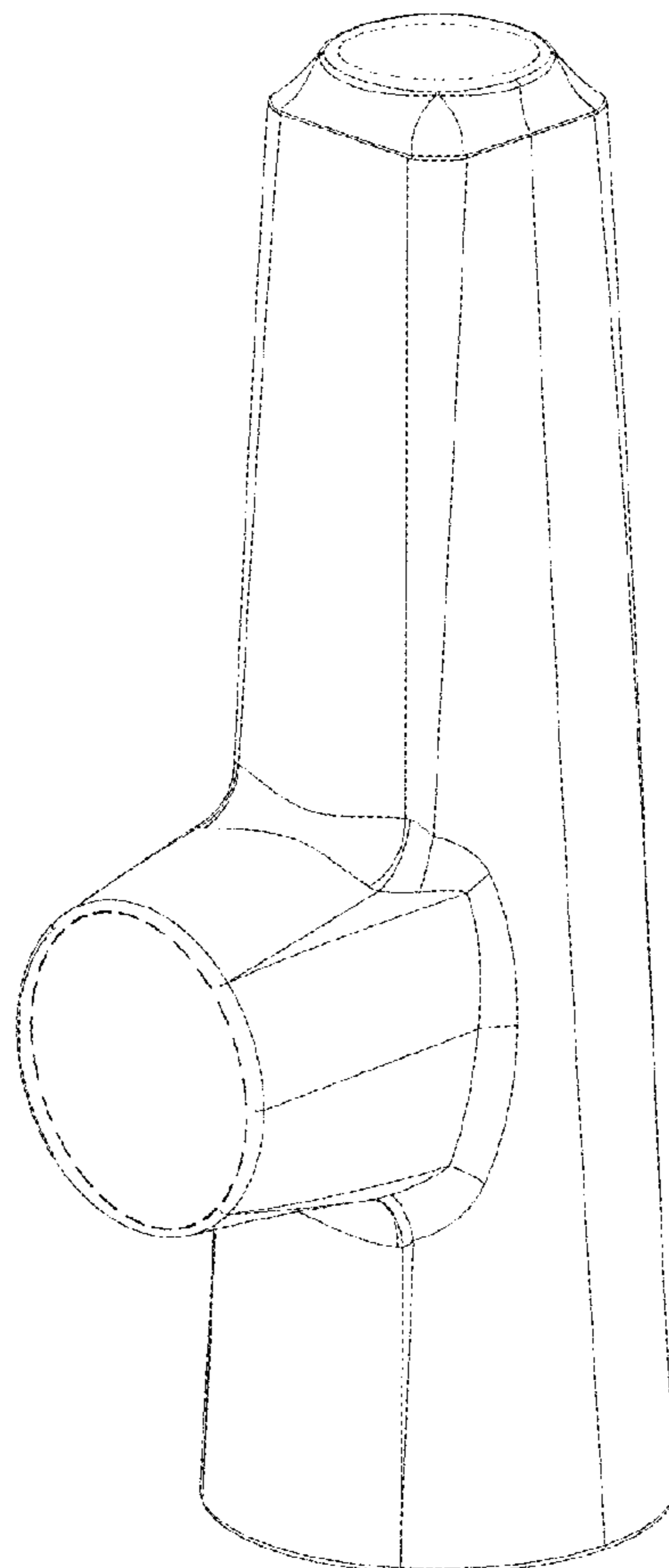
(57) **CLAIM**

The ornamental design for a faucet body, as shown and
described.

DESCRIPTION

FIG. 1 is a first perspective view of a faucet body showing
my new design;
FIG. 2 is a second perspective view thereof;
FIG. 3 is a front elevational view thereof;
FIG. 4 is a left side view thereof;
FIG. 5 is a rear view thereof;
FIG. 6 is a right side view thereof;
FIG. 7 is a top plan view thereof; and,
FIG. 8 is a bottom view thereof.
Portions of the article shown in phantom lines form no part
of the claimed design.

1 Claim, 4 Drawing Sheets



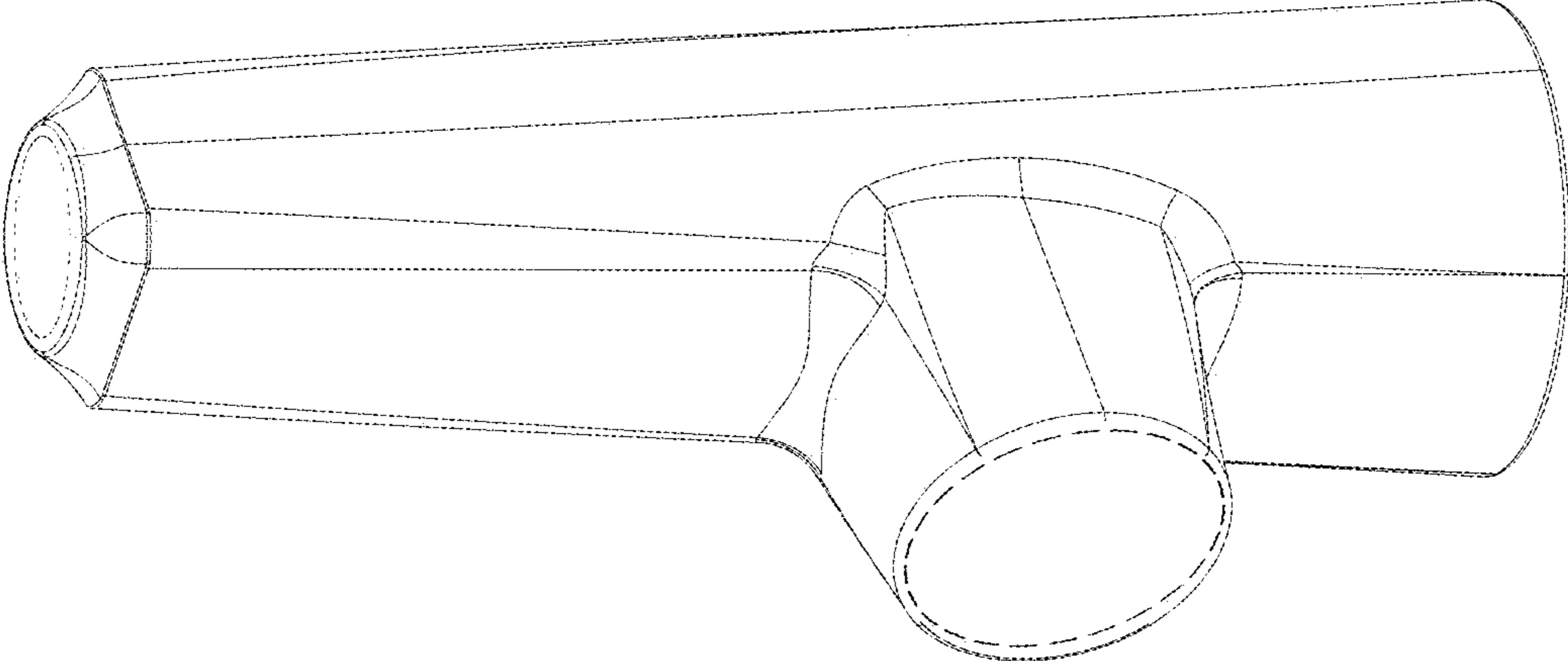


FIG - 2

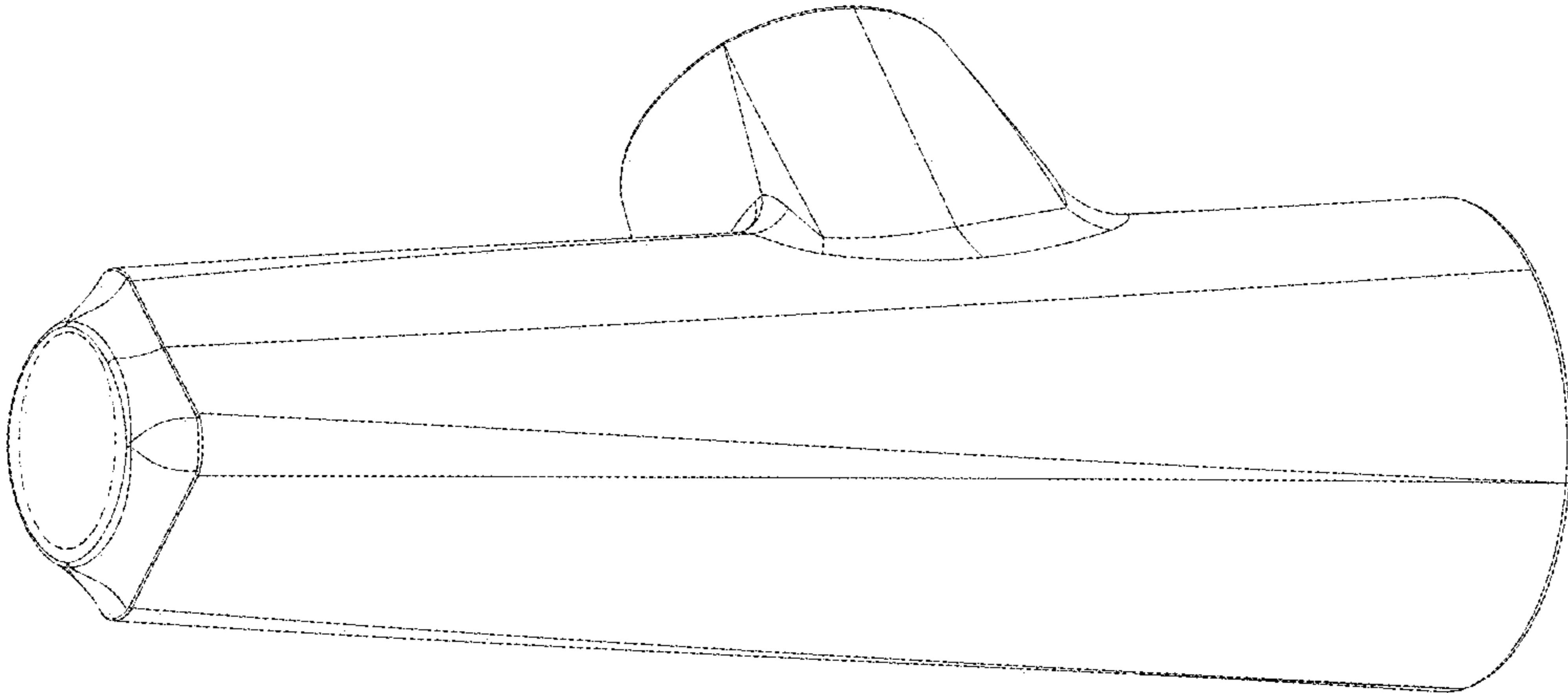


FIG - 1

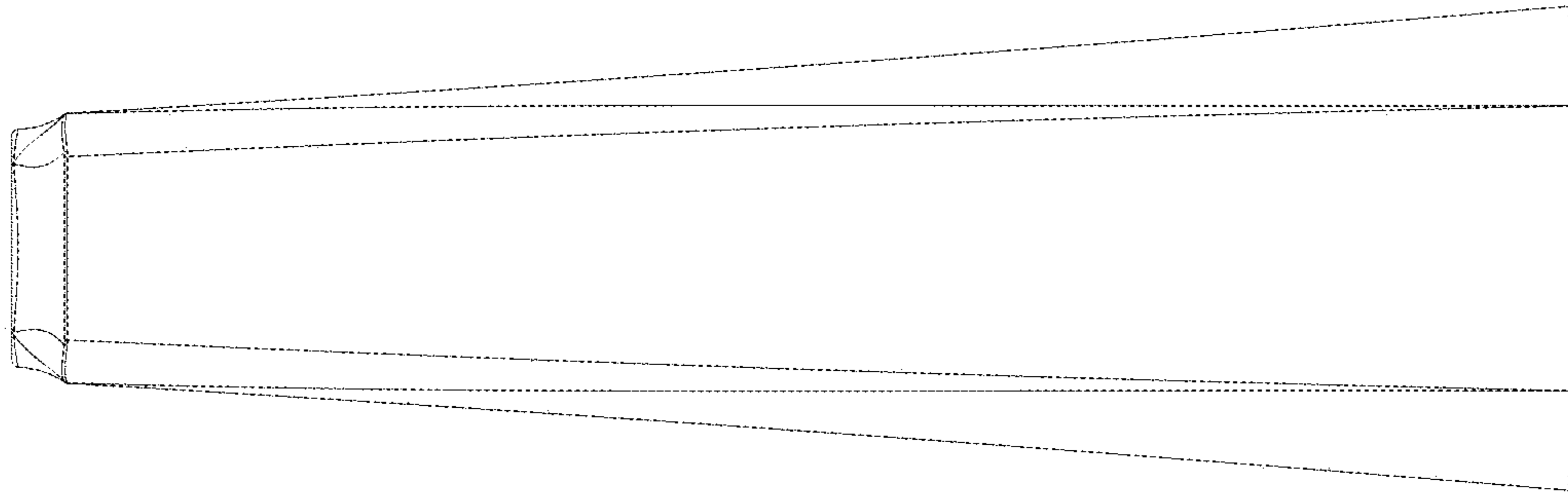


FIG - 4

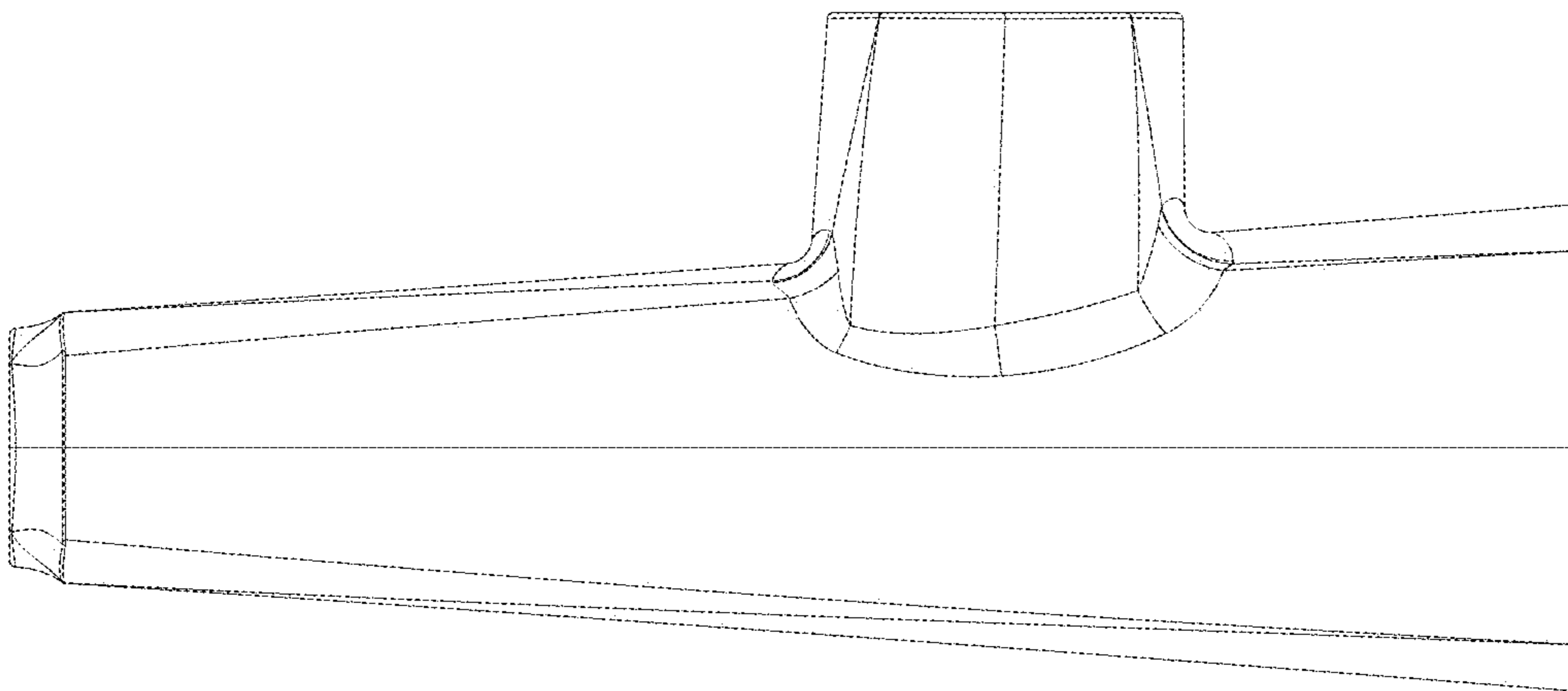


FIG - 3

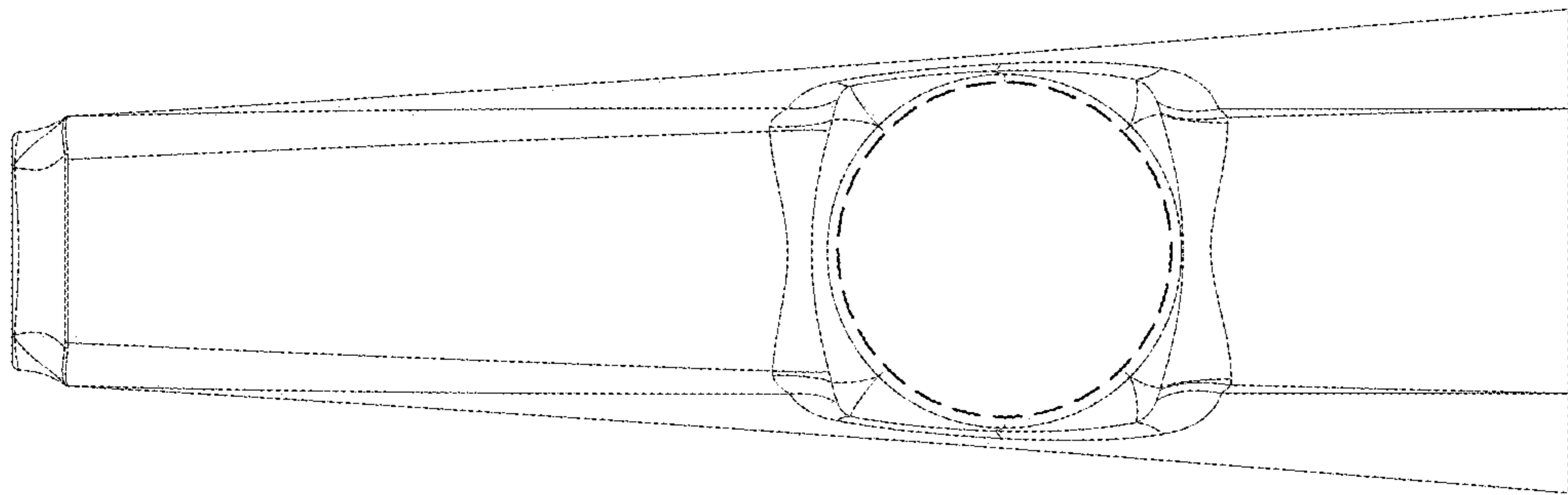


FIG - 6

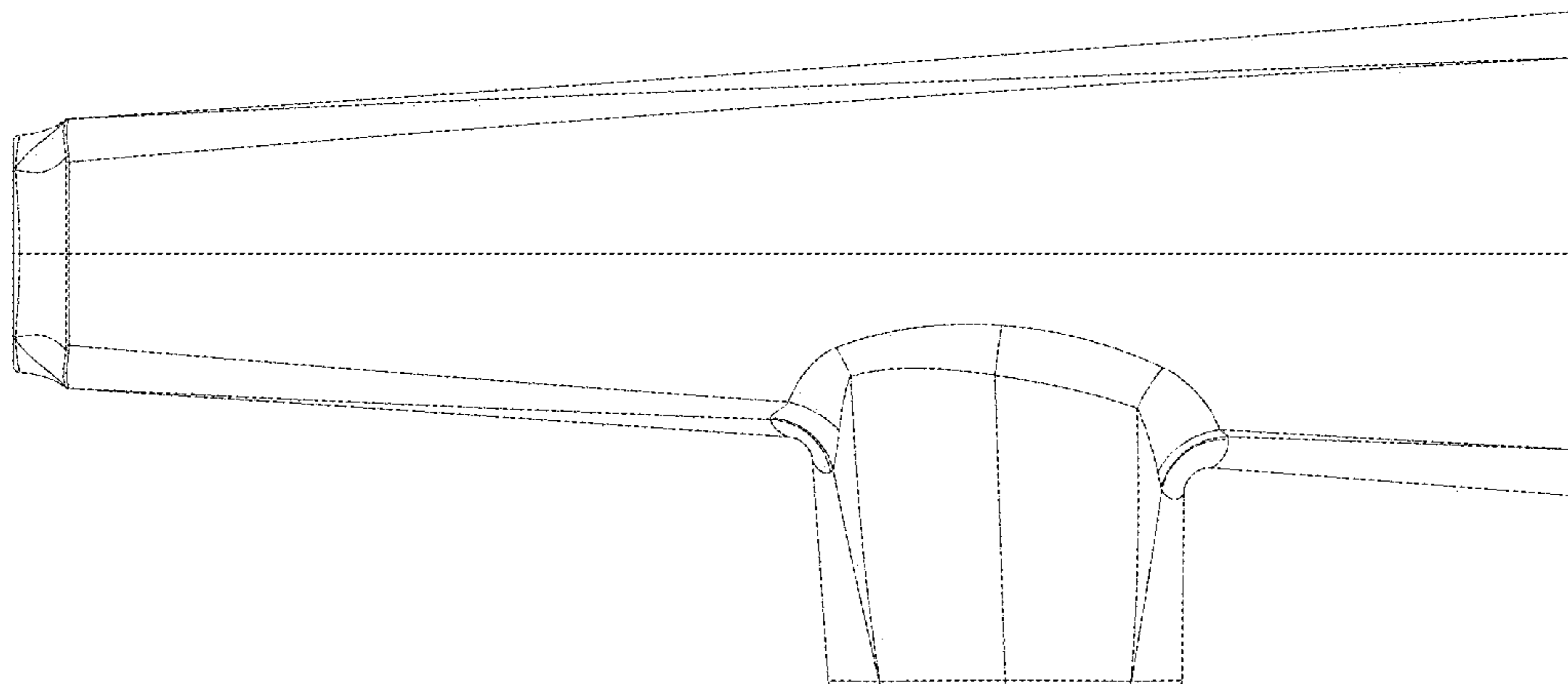


FIG - 5

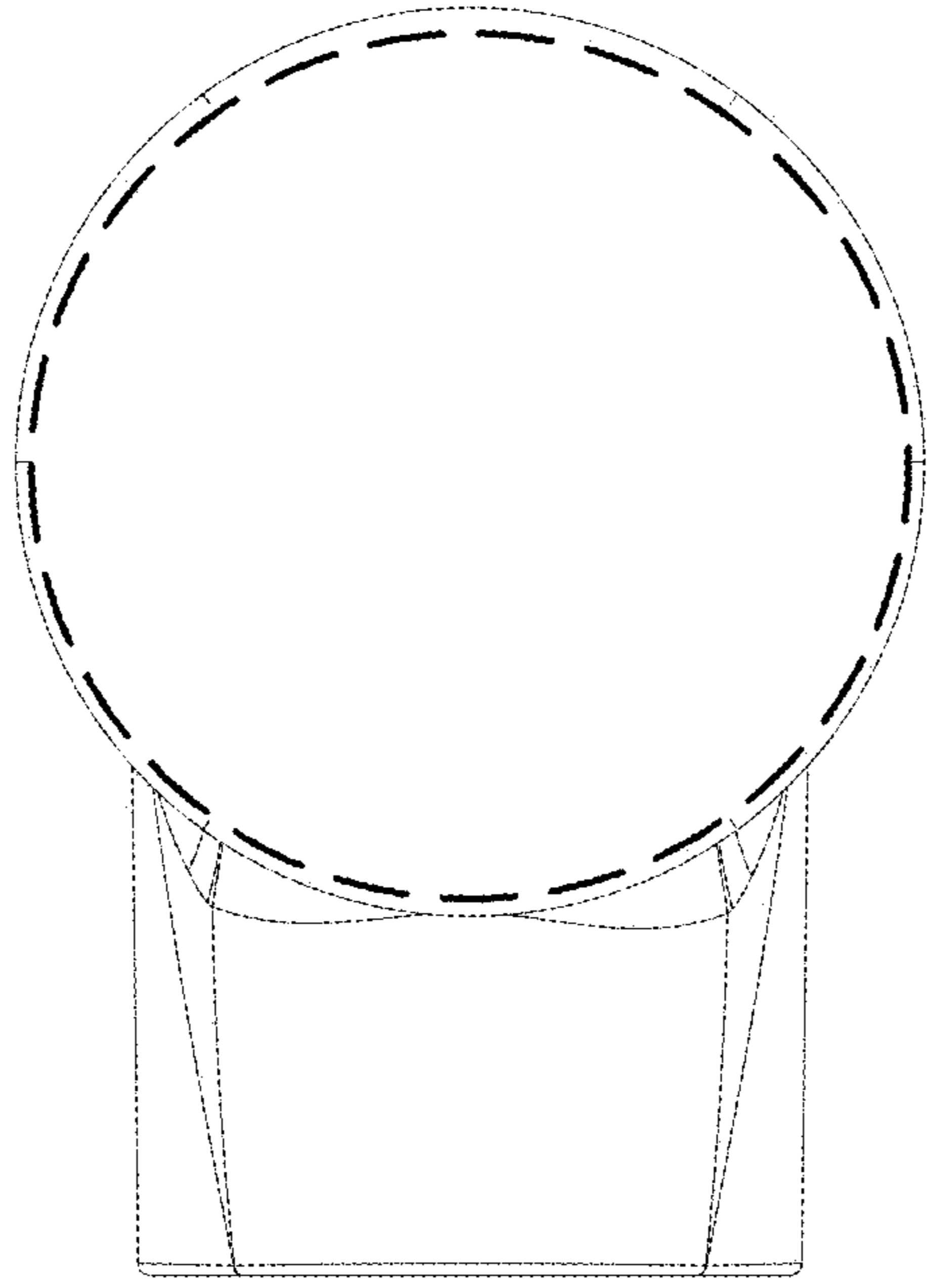


FIG - 8

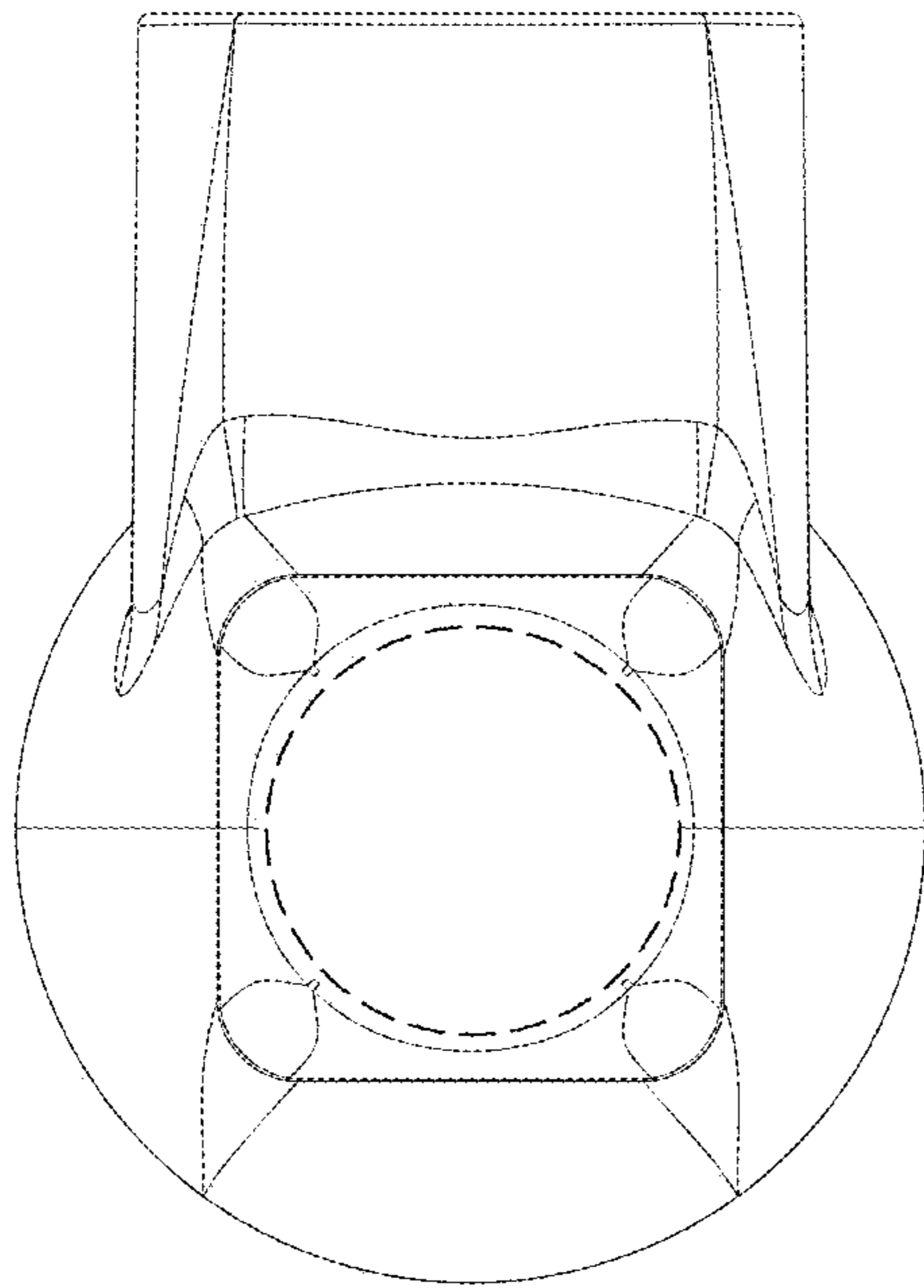


FIG - 7