



US00D876587S

(12) **United States Design Patent** (10) **Patent No.:** **US D876,587 S**  
**Young et al.** (45) **Date of Patent:** **\*\* Feb. 25, 2020**

(54) **PRESSURE RELIEF VALVE** 3,584,671 A 6/1971 Kampa  
3,939,995 A 2/1976 Baxter  
D248,404 S 7/1978 Henry  
4,168,723 A \* 9/1979 Schneider ..... F16K 17/04  
137/542  
D259,507 S 6/1981 MacInnes et al.  
D282,393 S 1/1986 Johnson  
4,629,156 A \* 12/1986 Anderson ..... F16K 17/0473  
137/115.16  
D296,232 S \* 6/1988 Crossman ..... D23/235  
D309,938 S 8/1990 Schoepe et al.  
5,137,049 A \* 8/1992 Orłowski ..... F16K 17/12  
137/533.11  
5,203,831 A 4/1993 Lind et al.  
(Continued)

(71) Applicant: **LEAFIELD MARINE LIMITED,**  
Wiltshire (GB)  
(72) Inventors: **Wayne Young,** Wiltshire (GB); **Stephen**  
**Horn,** Wiltshire (GB); **Steven Sobek,**  
Wiltshire (GB)  
(73) Assignee: **LEAFIELD MARINE LIMITED**  
(GB)  
(\*\*) Term: **15 Years**  
(21) Appl. No.: **29/628,057**  
(22) Filed: **Dec. 1, 2017**  
(51) **LOC (12) Cl.** ..... **23-01**  
(52) **U.S. Cl.**  
USPC ..... **D23/235**  
(58) **Field of Classification Search**  
USPC ..... D23/233, 235, 237, 244, 249, 365, 209;  
210/130-136, 450, 430; 137/526, 533.11,  
137/542, 73  
CPC . F16K 17/02; F16K 24/04; F16K 1/42; F16K  
1/465; F16K 24/06; B01D 2201/291;  
B01D 2201/34; B01D 35/306; B01D  
35/005; B01D 35/30  
See application file for complete search history.

FOREIGN PATENT DOCUMENTS

GB 2074385 5/1998  
IT 77940 10/1998

Primary Examiner — Gino Colan  
(74) Attorney, Agent, or Firm — Gardner Groff &  
Greenwald, PC

(57) **CLAIM**

The ornamental design for a pressure relief valve, as shown  
and described.

**DESCRIPTION**

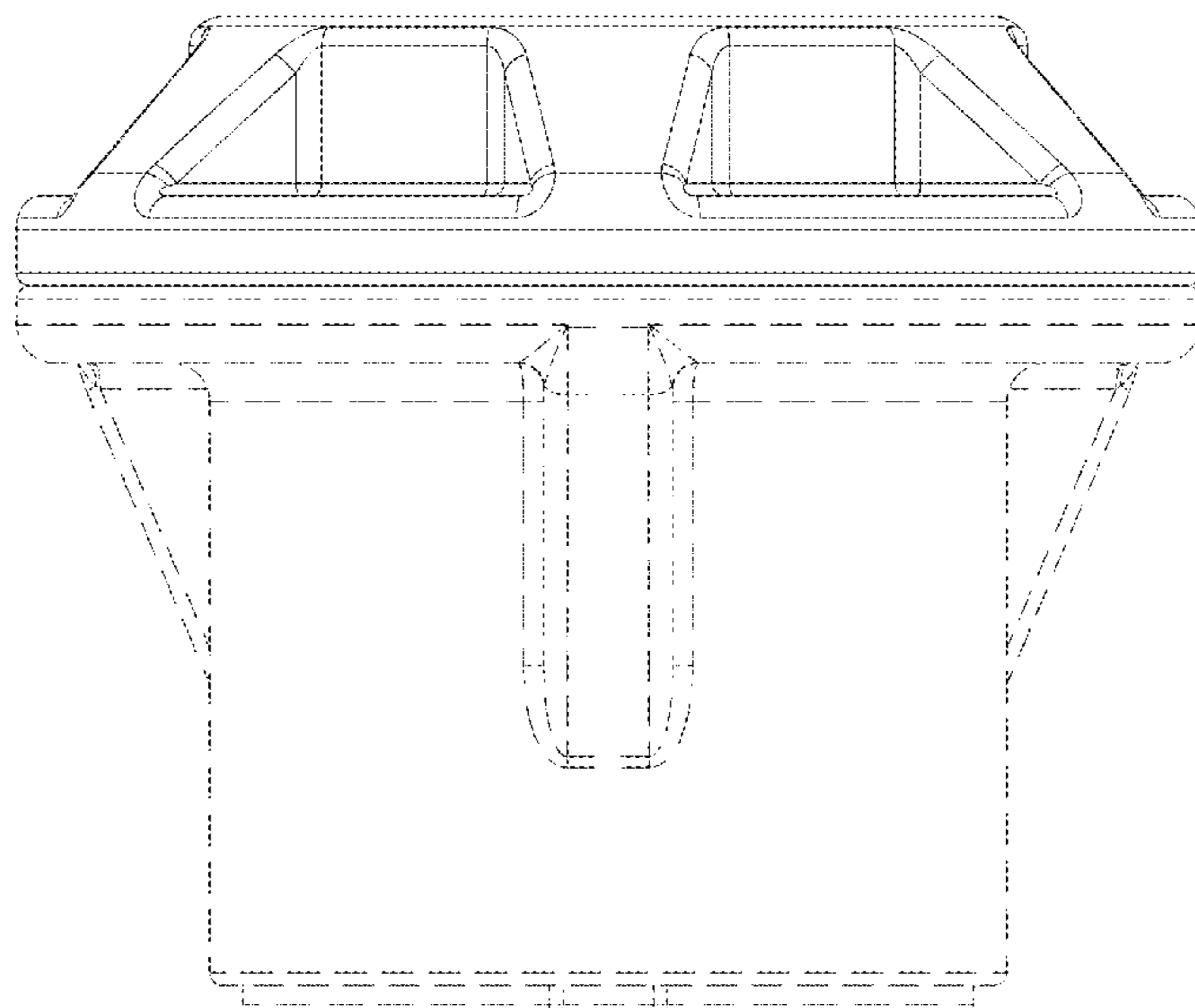
FIG. 1 is a front elevation view of a pressure relief valve  
showing our new design, the rear view being a mirror image  
of FIG. 1.  
FIG. 2 is a first side elevation view of FIG. 1, the opposite  
side view being a mirror image thereof.  
FIG. 3 is a top plan view of FIG. 1.  
FIG. 4 is a bottom plan view of FIG. 1.  
FIG. 5 is a top perspective view of FIG. 1; and,  
FIG. 6 is a bottom perspective view of FIG. 1.  
The broken lines shown in the figures are for the purpose of  
illustrating portions of the pressure relief valve and form no  
part of the claimed design.

(56) **References Cited**

U.S. PATENT DOCUMENTS

1,866,643 A 7/1932 Greear  
2,821,991 A \* 2/1958 Marx ..... F16K 17/38  
137/73  
2,840,104 A \* 6/1958 Shafer ..... F16K 17/105  
137/489.5  
3,305,095 A \* 2/1967 Hathaway ..... B01D 27/08  
210/130  
3,567,022 A \* 3/1971 Thornton ..... B01D 27/106  
210/130

**1 Claim, 6 Drawing Sheets**



(56)

References Cited

U.S. PATENT DOCUMENTS

5,306,187 A	4/1994	Mackal		7,401,619 B2	7/2008	Song et al.	
D346,641 S *	5/1994	Scheurer .....	D23/233	7,438,081 B1	10/2008	Chen	
D347,263 S	5/1994	Phillips		7,497,416 B2	3/2009	Wang	
5,363,878 A *	11/1994	Atkins .....	F16K 15/144	D599,434 S	9/2009	Stenberg	
				7,938,138 B2	5/2011	Chaffee	
5,395,518 A *	3/1995	Gulsvig .....	B01D 27/06	8,011,117 B2	9/2011	Acheson et al.	
				8,181,664 B2	5/2012	Tsai	
				8,307,841 B2	11/2012	Chaffee	
				D682,394 S	5/2013	Sprouse	
D357,974 S	5/1995	Phillips et al.		8,667,982 B2	3/2014	Song et al.	
D379,845 S	6/1997	Lee		D711,510 S	8/2014	Halldorsson	
5,881,783 A	3/1999	Chou		D720,045 S *	12/2014	Landi .....	D23/233
D422,058 S	3/2000	Meredith		D728,743 S	5/2015	Giles	
6,138,711 A	10/2000	Lung-Po		9,086,162 B2	7/2015	Chaffee	
6,164,314 A	12/2000	Saputo et al.		9,126,655 B2	9/2015	Swan	
6,237,621 B1	5/2001	Chaffee		9,169,836 B2 *	10/2015	Yang .....	F04B 33/00
6,508,264 B2	1/2003	Chaffee		9,278,641 B2 *	3/2016	Do Van .....	B60P 7/065
D470,570 S *	2/2003	Wass .....	D23/233	9,995,408 B1 *	6/2018	Yager .....	F16K 17/12
6,601,731 B2	8/2003	Wu		D835,756 S *	12/2018	Auxter .....	D23/249
6,648,004 B2	11/2003	Lau		D844,113 S *	3/2019	Auxter .....	D23/249
6,755,208 B2	6/2004	Chaffee		2005/0218367 A1	10/2005	Shinner	
6,874,524 B2	4/2005	Wu		2006/0272707 A1	12/2006	Wu	
6,986,360 B2	1/2006	Chaffee		2009/0139582 A1	6/2009	Franta et al.	
6,990,994 B2	1/2006	Reeb et al.		2010/0154897 A1	6/2010	Wu	
7,066,442 B2	6/2006	Rose		2011/0265900 A1	11/2011	Tsai	
7,146,923 B2	12/2006	Polley et al.		2012/0048392 A1	3/2012	Song et al.	
7,275,494 B2	10/2007	Polley et al.		2014/0137790 A1	5/2014	Noca et al.	
				2018/0304179 A1 *	10/2018	Auxter .....	B01D 35/1475

\* cited by examiner

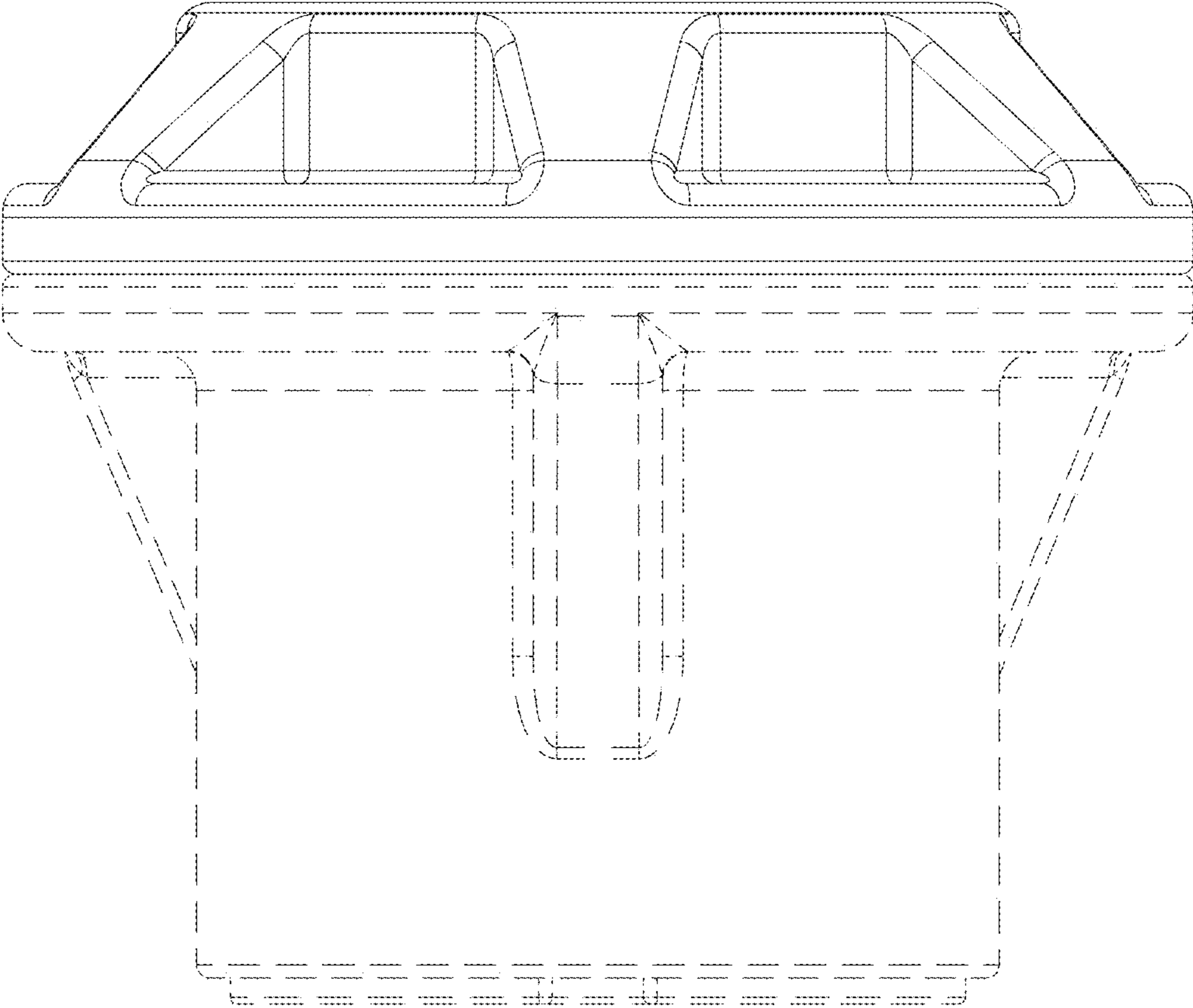


FIG. 1

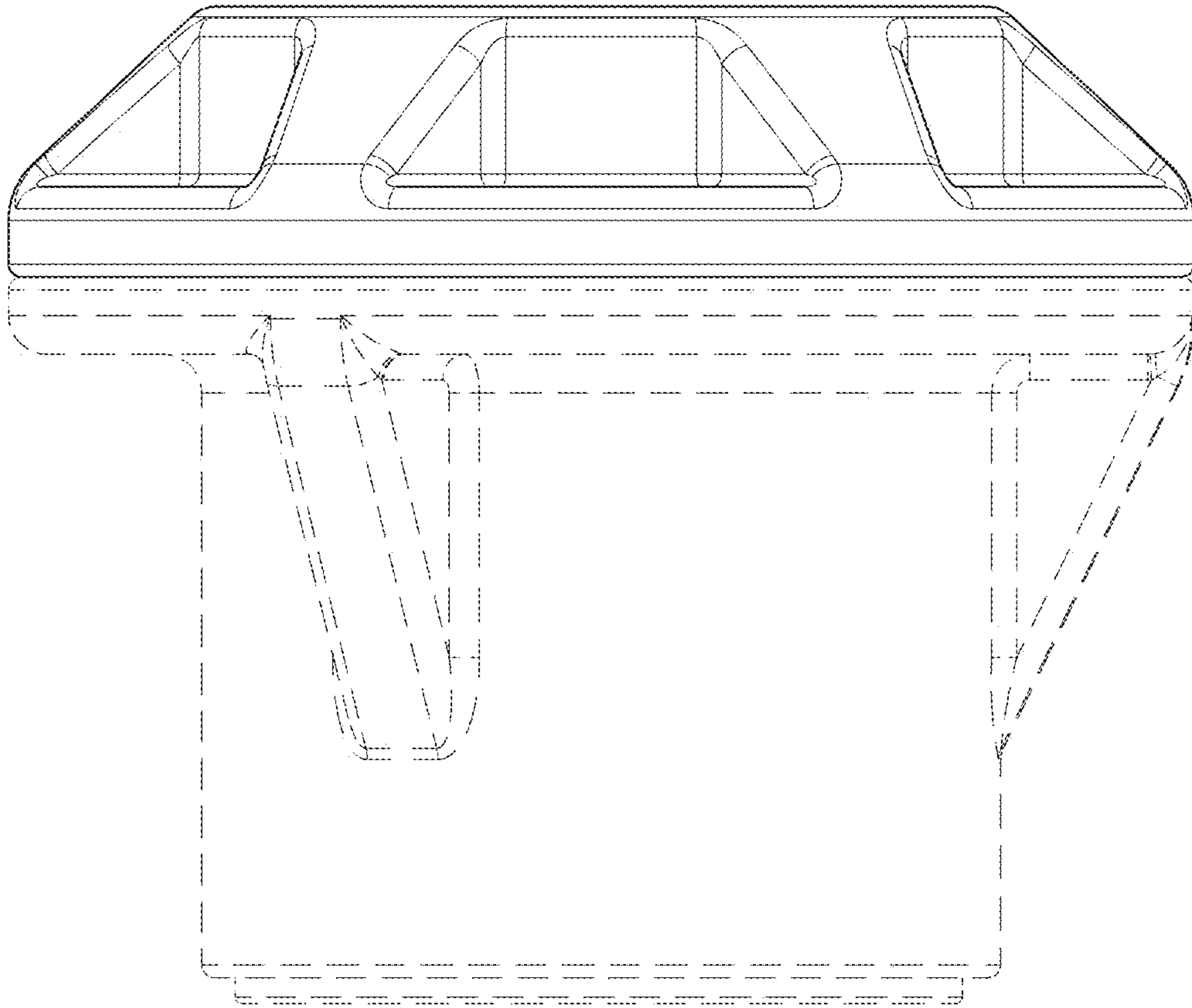


FIG. 2

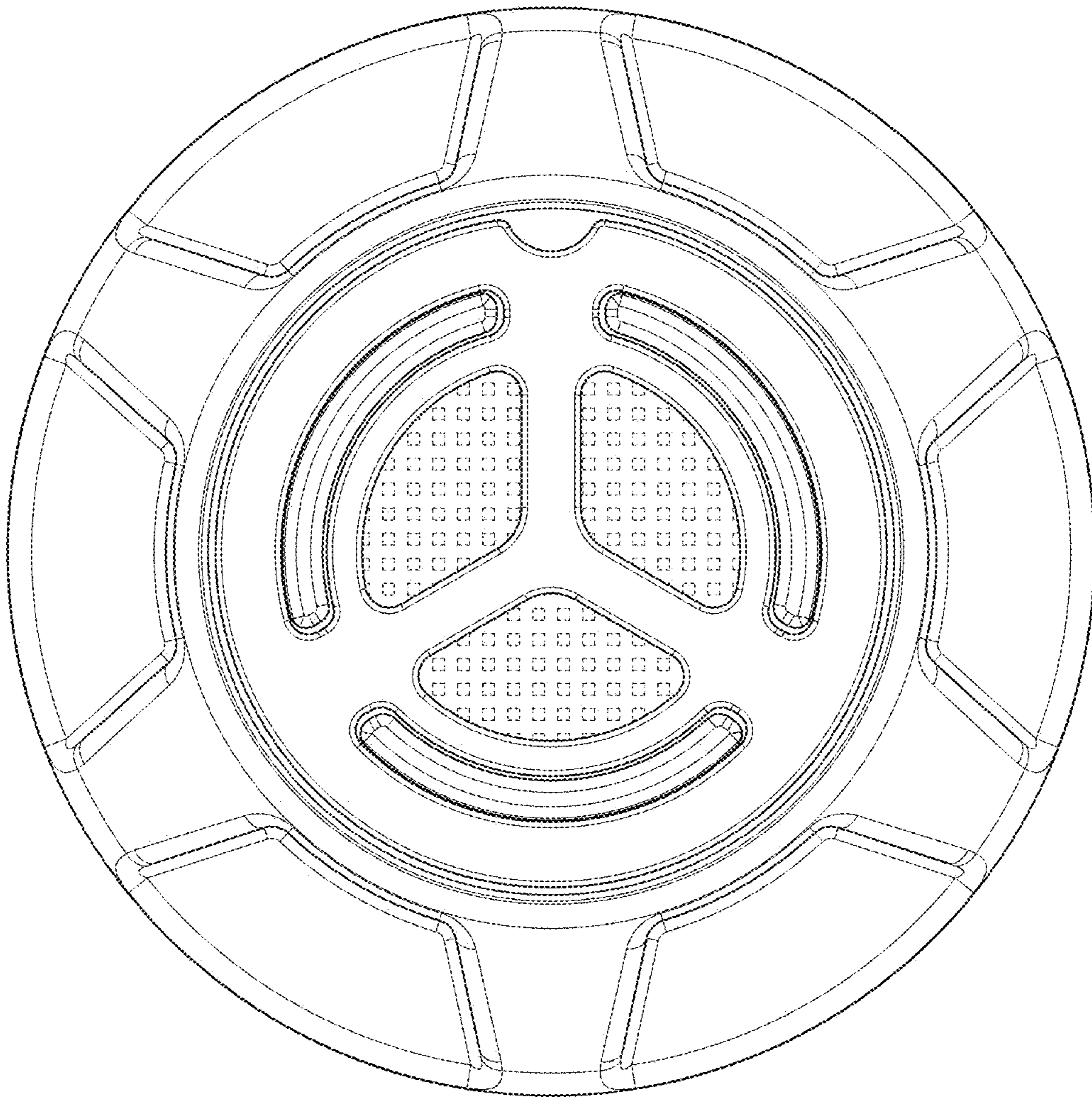


FIG. 3

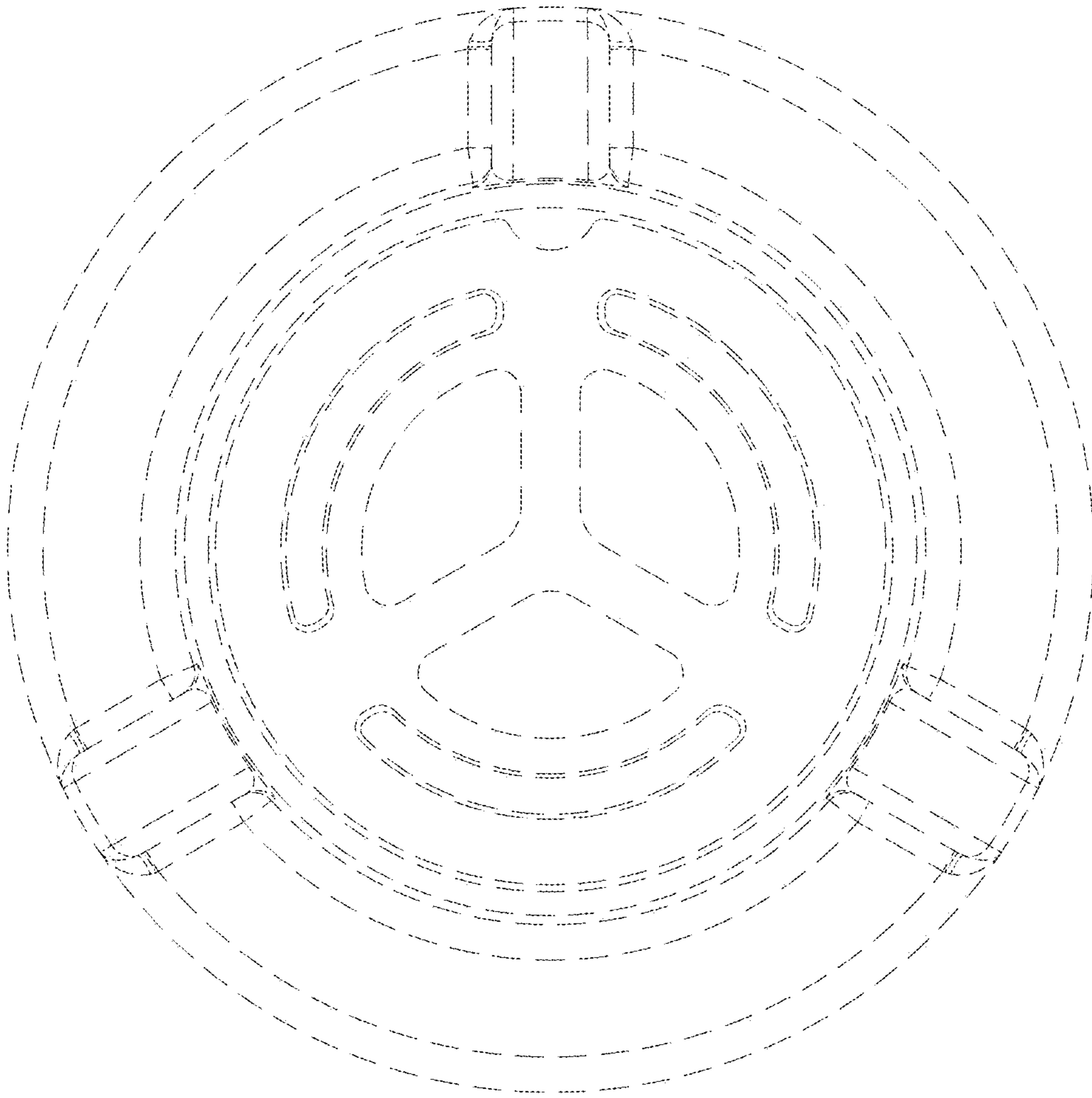


FIG. 4

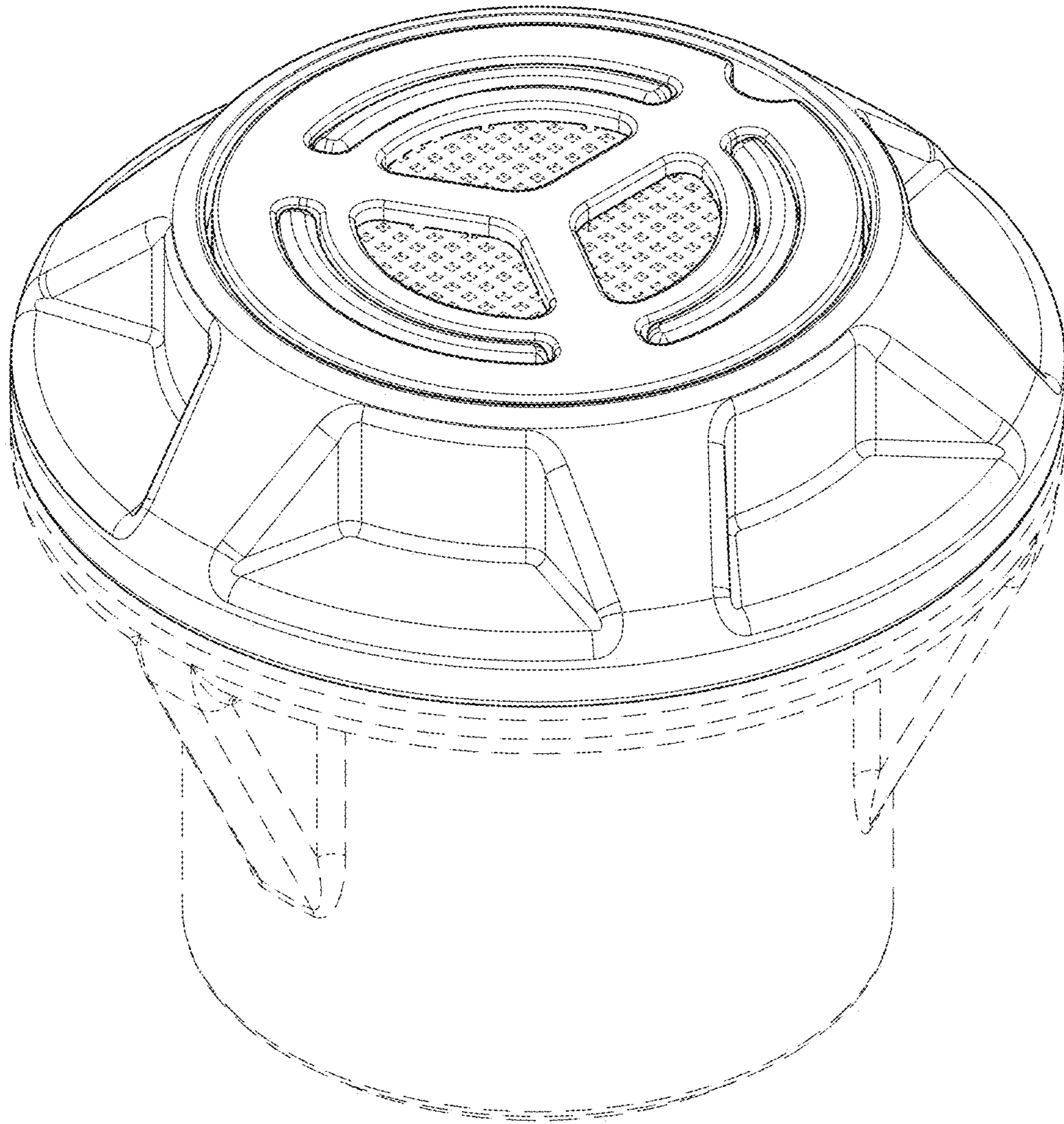


FIG. 5

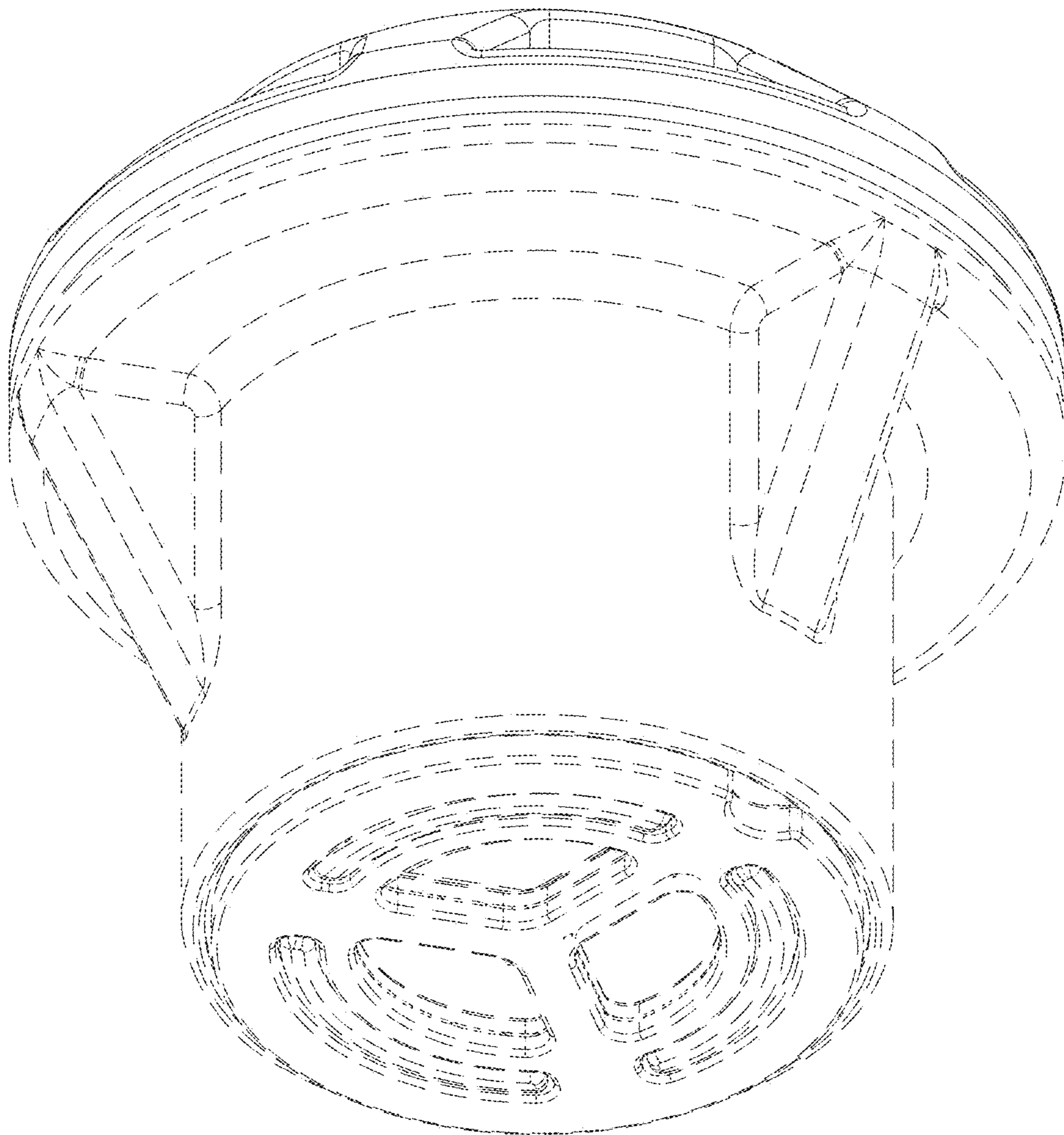


FIG. 6