



US00D876586S

(12) **United States Design Patent** (10) **Patent No.:** **US D876,586 S**
Asada (45) **Date of Patent:** **** Feb. 25, 2020**

(54) **AUTOMATIC DRAIN VALVE**
(71) Applicant: **TLV CO., LTD.**, Kakogawa-Shi, Hyogo (JP)
(72) Inventor: **Tetsuo Asada**, Kakogawa (JP)
(73) Assignee: **TLV CO., LTD.**, Kakogawa-shi (JP)
(**) Term: **15 Years**
(21) Appl. No.: **35/505,815**
(22) Filed: **Apr. 3, 2018**
(80) **Hague Agreement Data**
Int. Filing Date: **Apr. 3, 2018**
Int. Reg. No.: **DM/101471**
Int. Reg. Date: **Apr. 3, 2018**
Int. Reg. Pub. Date: **Oct. 5, 2018**

(30) **Foreign Application Priority Data**
Nov. 1, 2017 (JP) 2017-024416
(51) **LOC (12) Cl.** **23-01**
(52) **U.S. Cl.**
USPC **D23/233**
(58) **Field of Classification Search**
USPC D23/233-250
CPC F16K 31/02; F16L 19/00
See application file for complete search history.

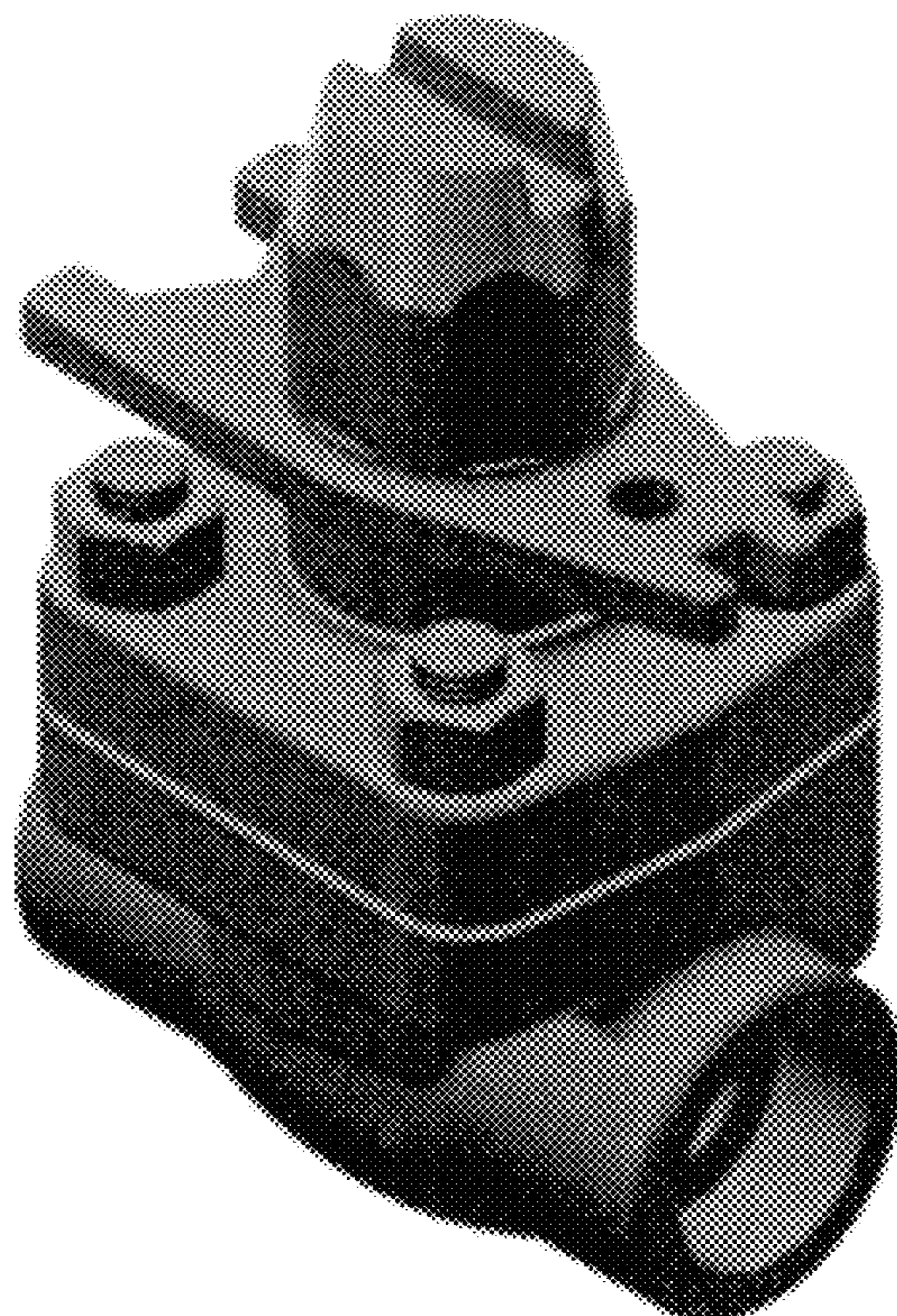
(56) **References Cited**
U.S. PATENT DOCUMENTS
D801,480 S * 10/2017 Baker D23/233
D821,546 S * 6/2018 Fletcher D23/233
D822,165 S * 7/2018 Rycroft D23/233
D826,377 S * 8/2018 Karibe D23/233
D832,399 S * 10/2018 Shimura D23/233
D832,979 S * 11/2018 Scaramucci D23/233
D844,750 S * 4/2019 Wilson D23/233
D849,196 S * 5/2019 Karibe D23/233

* cited by examiner
Primary Examiner — Khawaja Anwar
(74) *Attorney, Agent, or Firm* — Studebaker & Brackett PC

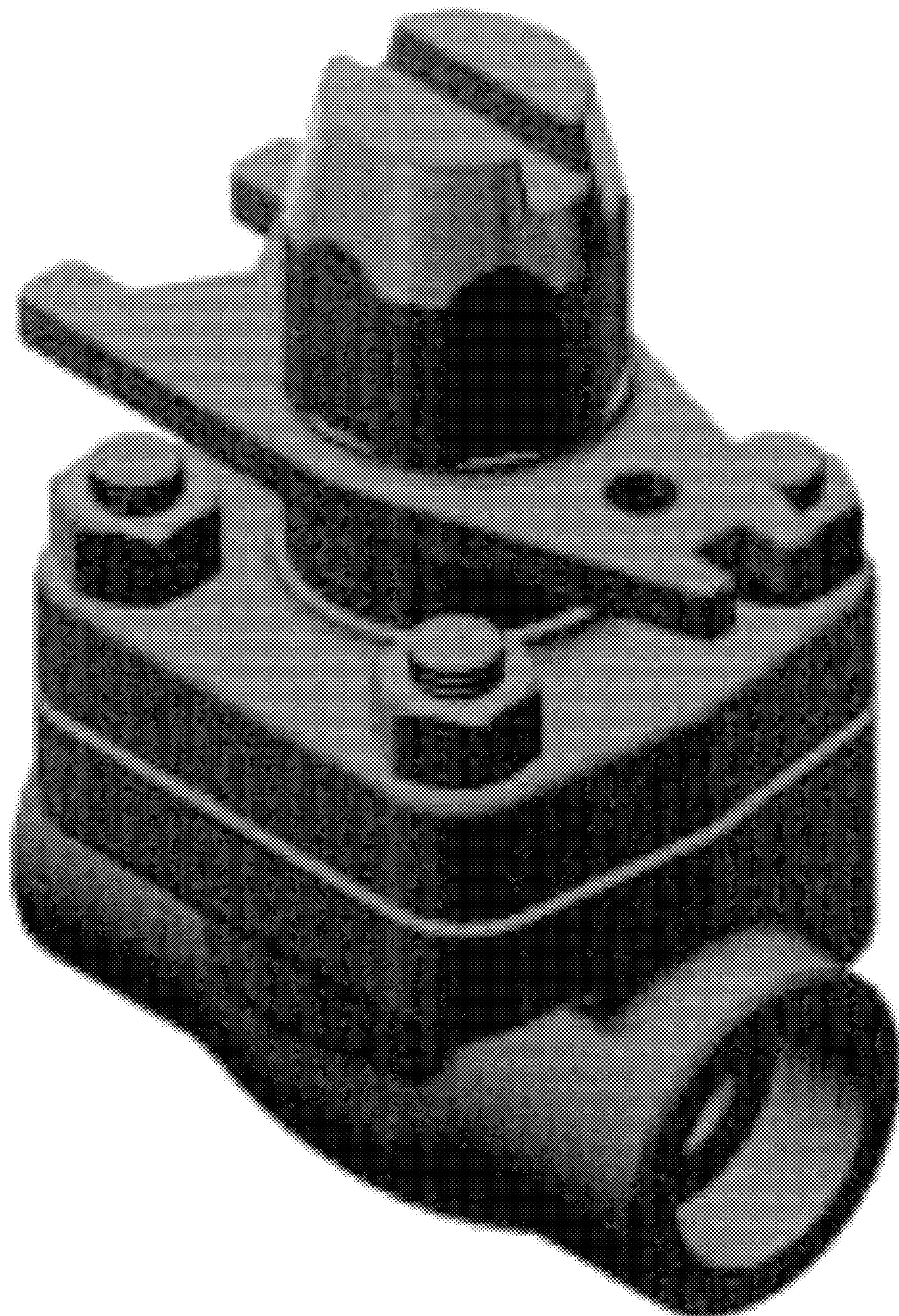
(57) **CLAIM**
The ornamental design for an automatic drain valve, as shown and described.

DESCRIPTION
1. Automatic drain valve
1.1 : Perspective
1.2 : Front
1.3 : Back
1.4 : Top
1.5 : Bottom
1.6 : Left
1.7 : Right
The dash-dot broken lines in Figures 1.6 and 1.7 define the bounds of the claimed design and the portions within the dash-dot broken lines form no part of the claimed design.

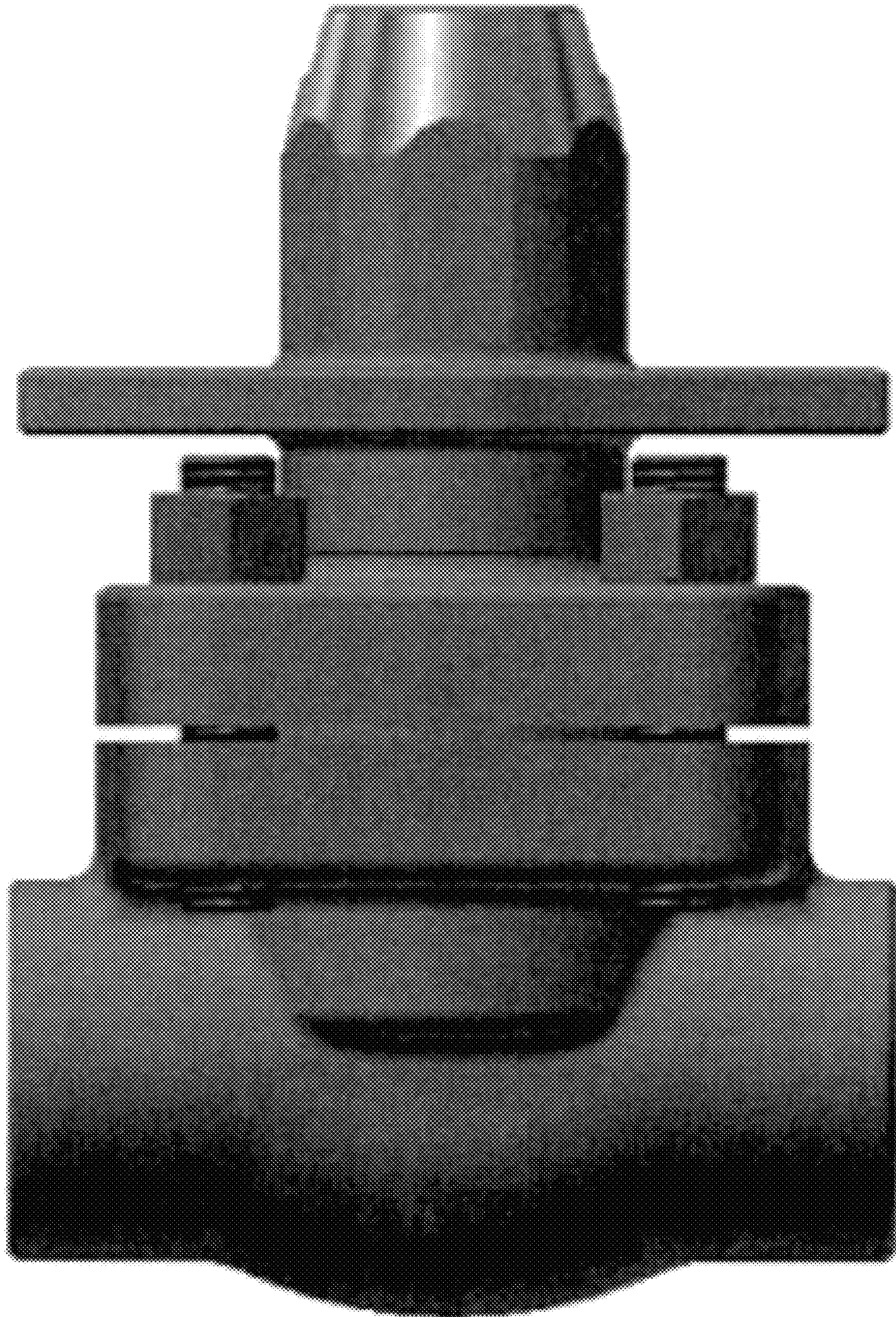
1 Claim, 7 Drawing Sheets



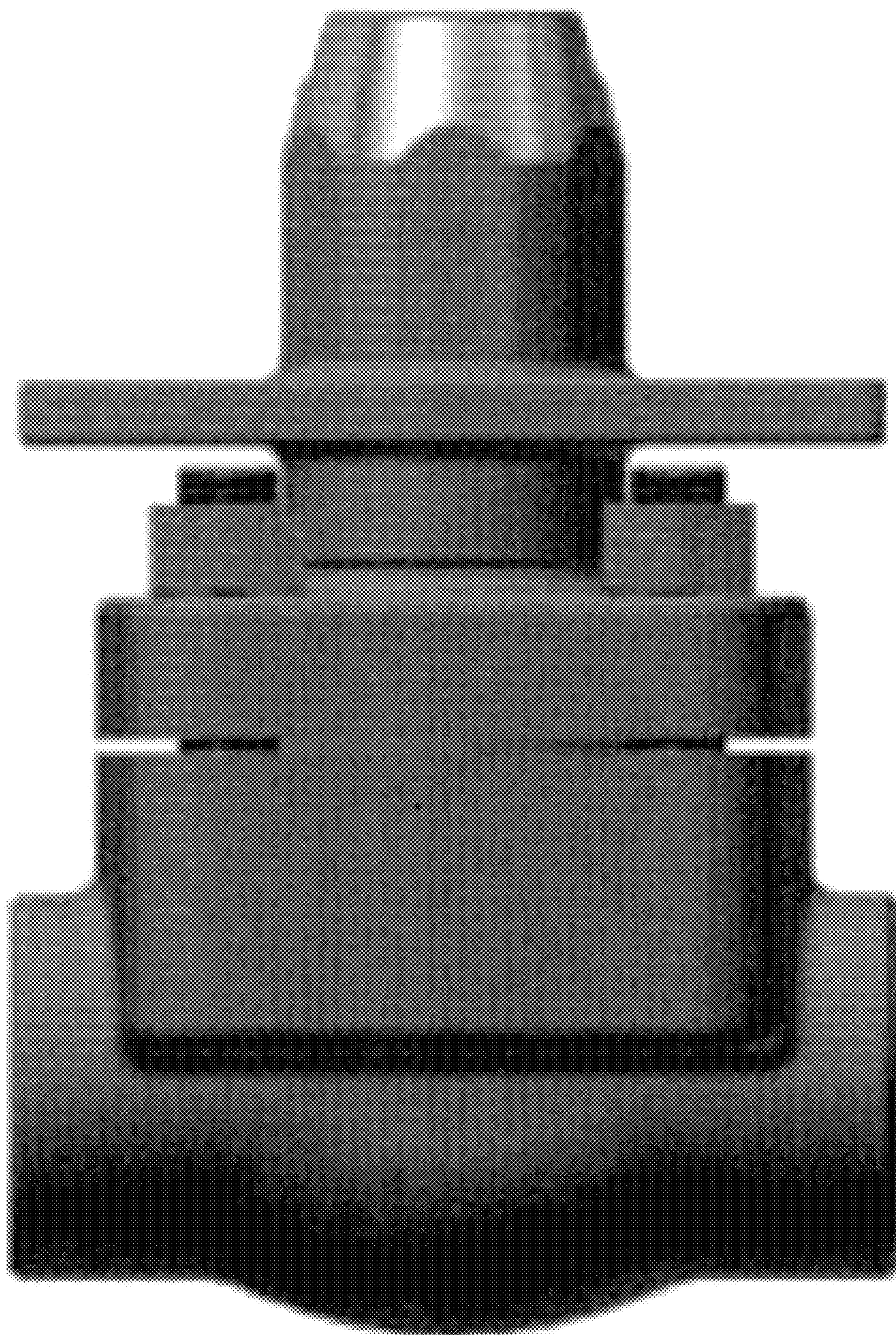
1.1



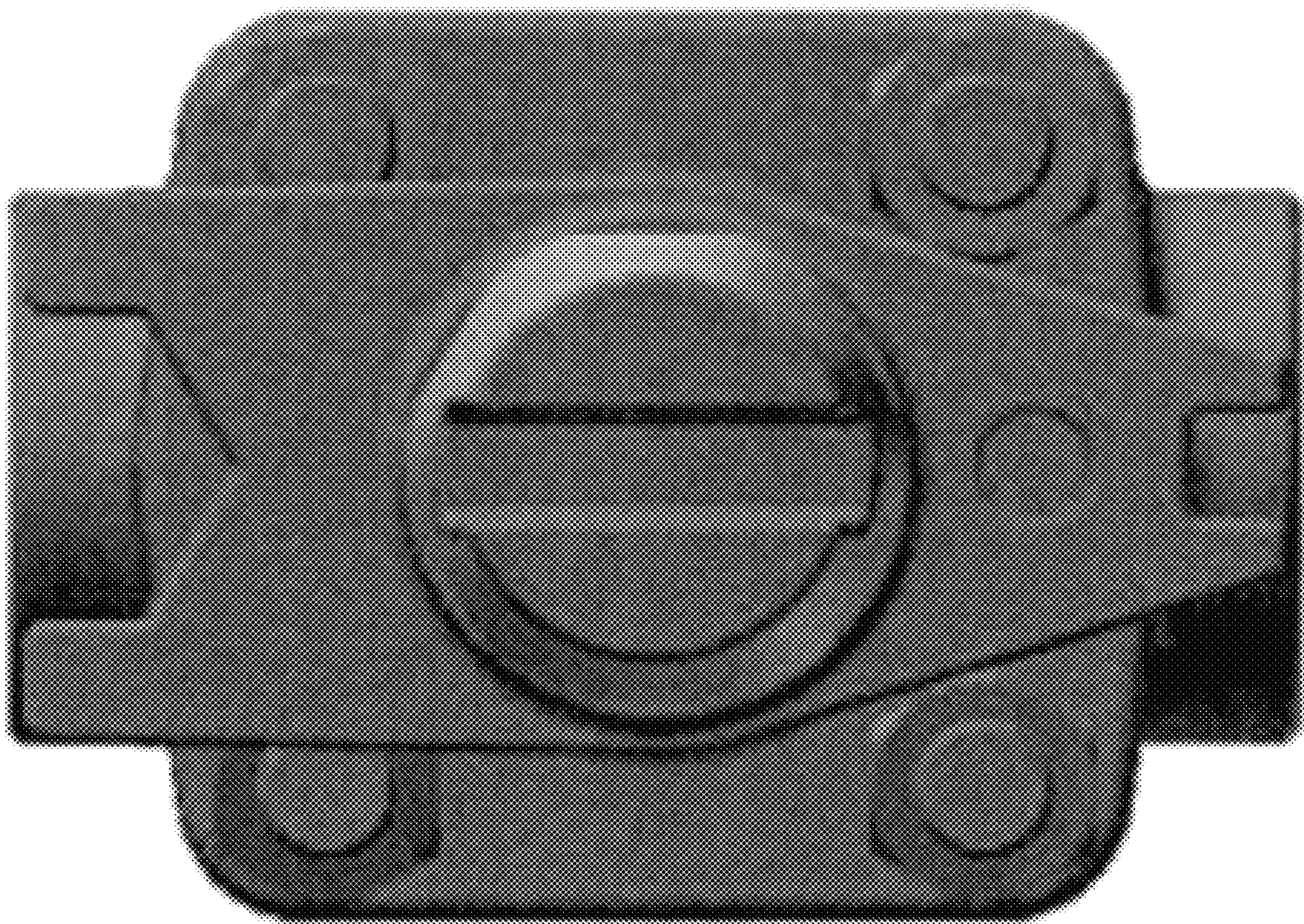
1.2



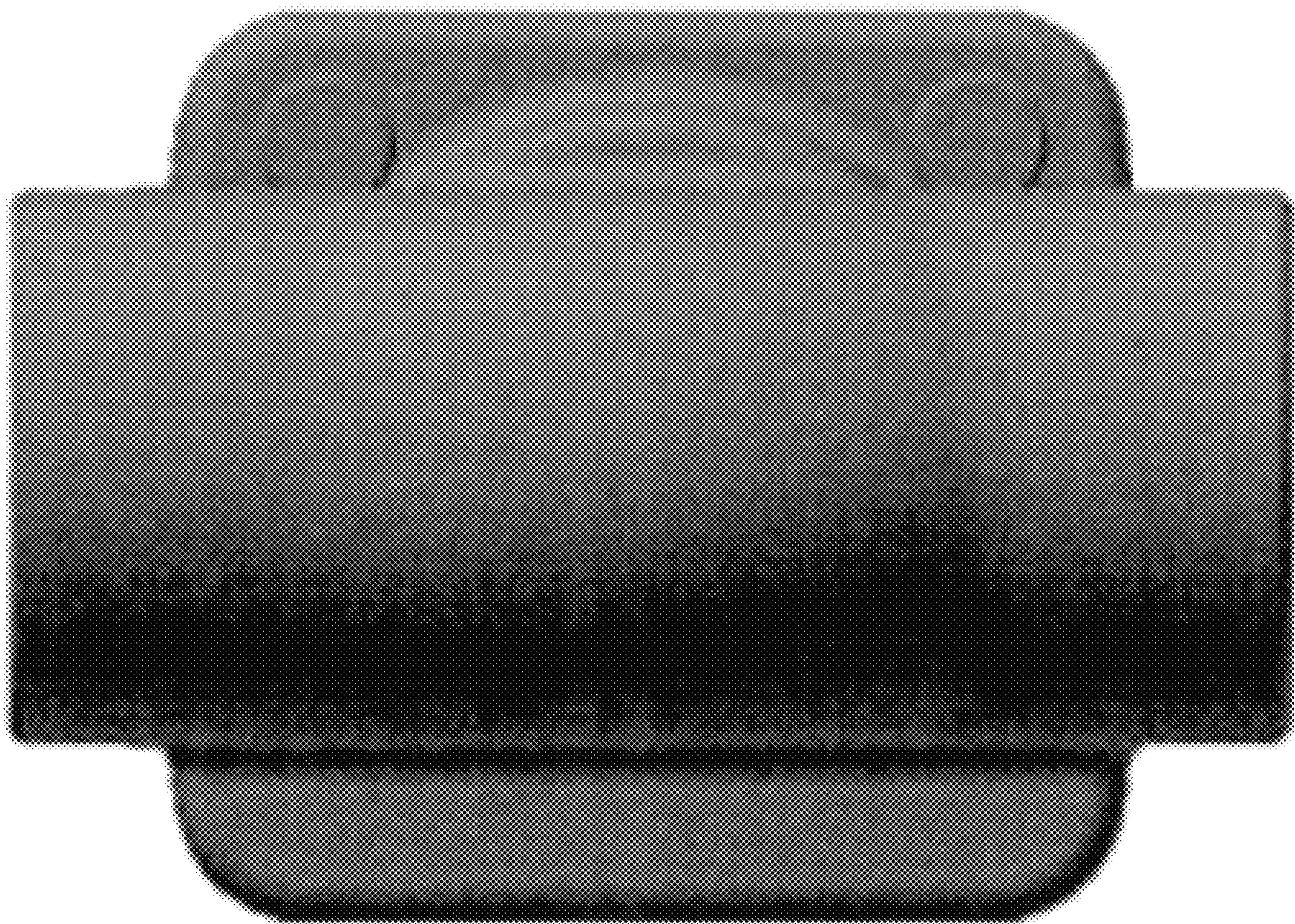
1.3



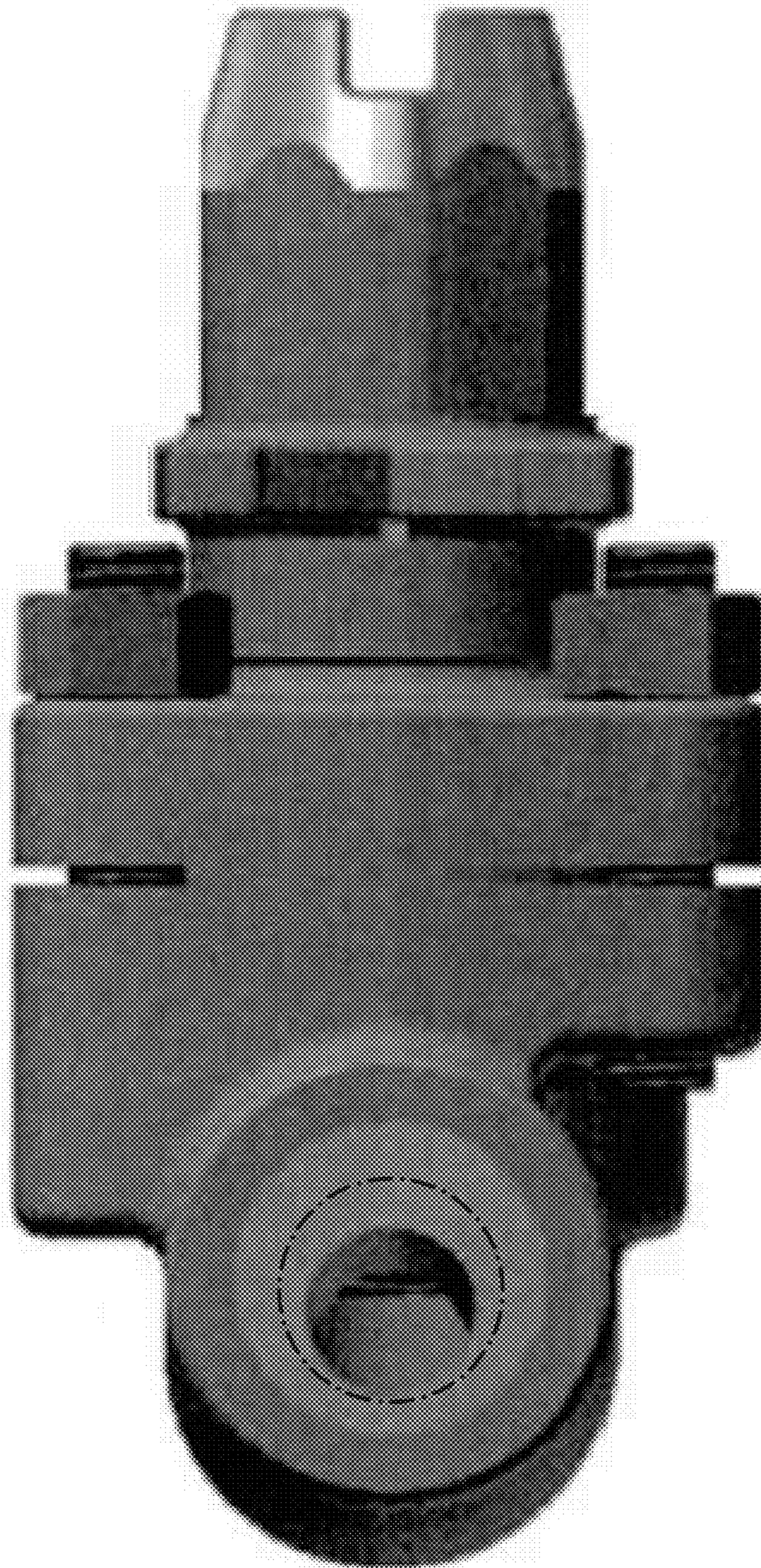
1.4



1.5



1.6



1.7

