



US00D876582S

(12) **United States Design Patent** (10) **Patent No.:** **US D876,582 S**  
**Eads** (45) **Date of Patent:** **\*\* Feb. 25, 2020**

(54) **FAUCET SPRAYER**  
(71) Applicant: **DELTA FAUCET COMPANY,**  
Indianapolis, IN (US)  
(72) Inventor: **Thad Eads,** Urbana, IN (US)  
(73) Assignee: **DELTA FAUCET COMPANY,**  
Indianapolis, IN (US)  
(\*\*) Term: **15 Years**

D646,761 S *	10/2011	Sedwick .....	D23/255
D702,810 S *	4/2014	Stednitz .....	D23/213
D704,800 S *	5/2014	Hahn .....	D23/213
D746,944 S *	1/2016	Naslund .....	D23/213
D754,301 S *	4/2016	Bahler .....	D23/255
D758,552 S *	6/2016	Rexach .....	D23/255
D802,091 S *	11/2017	Bahler .....	D23/213
D810,880 S *	2/2018	Bahler .....	D23/249
D810,882 S *	2/2018	Bahler .....	D23/249
D838,808 S *	1/2019	Thomas .....	D23/213
D842,429 S *	3/2019	Huang .....	D23/213
D842,430 S *	3/2019	Huang .....	D23/213

\* cited by examiner

(21) Appl. No.: **29/653,791**  
(22) Filed: **Jun. 19, 2018**  
(51) **LOC (12) Cl.** ..... **23-01**  
(52) **U.S. Cl.**  
USPC ..... **D23/213**  
(58) **Field of Classification Search**  
USPC ..... D23/213, 214, 215, 223, 224, 226, 229,  
D23/230  
CPC .. B05B 1/00; B05B 1/14; B05B 1/185; B05B  
1/08; B05B 1/02; B05B 1/26; B05B  
12/002; B05B 1/18; B05B 9/01  
See application file for complete search history.

*Primary Examiner* — Manpreet S Matharu  
*Assistant Examiner* — Keith J Wilson  
(74) *Attorney, Agent, or Firm* — Edgar A. Zarins; Nirav  
D. Parikh

(57) **CLAIM**

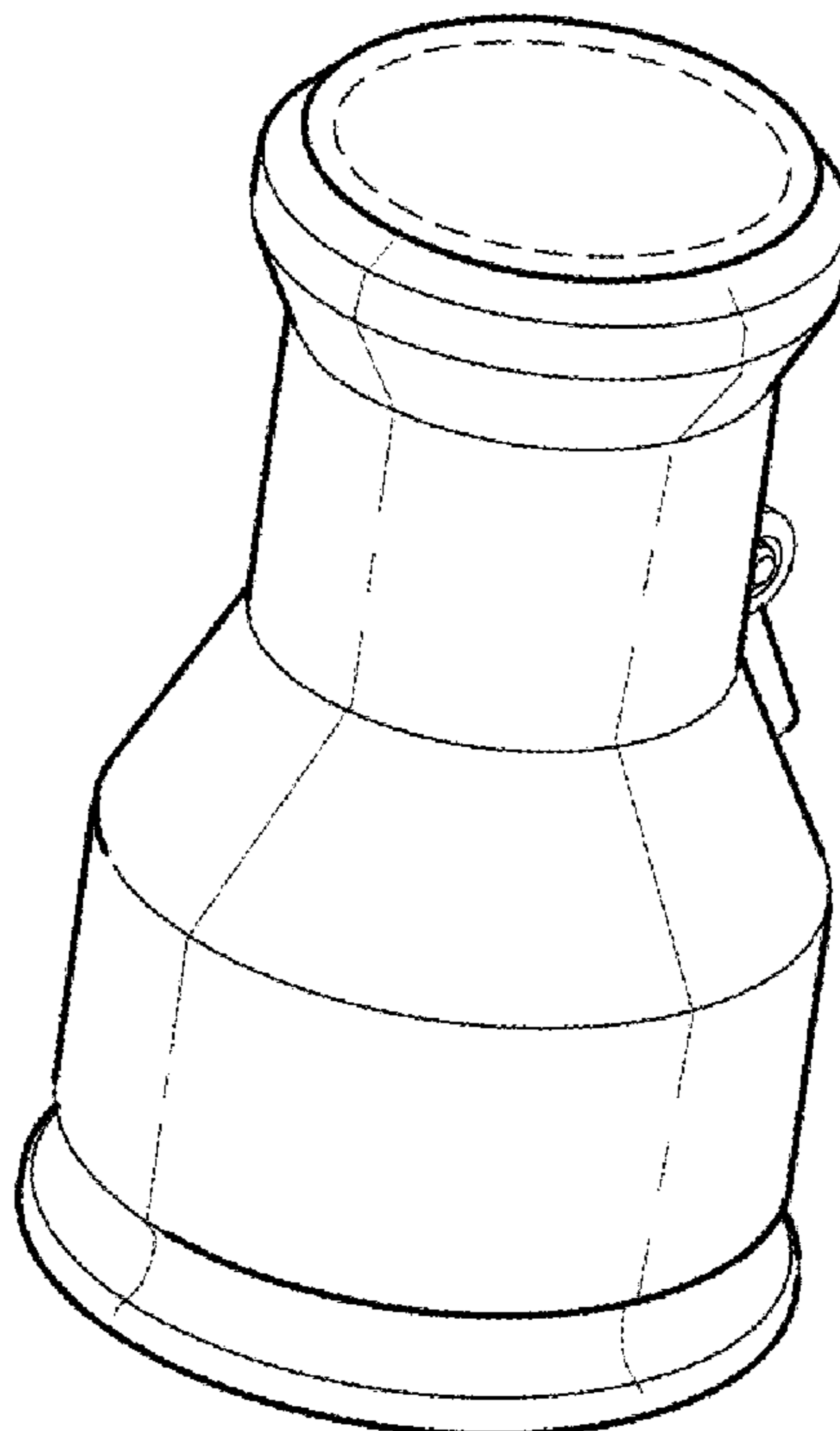
The ornamental design for a faucet sprayer, as shown and described.

**DESCRIPTION**

FIG. 1 is a top perspective view of a faucet sprayer showing my new design;  
FIG. 2 is a second perspective view thereof;  
FIG. 3 is a bottom view thereof;  
FIG. 4 is a first side view thereof; and,  
FIG. 5 is a second side view thereof.  
The broken-line disclosure in the view represents a portion of the faucet sprayer in which the claimed design is embodied, but which forms no part of the claimed design.

(56) **References Cited**  
U.S. PATENT DOCUMENTS  
D460,804 S \* 7/2002 Bonzer ..... D23/213  
D487,135 S \* 2/2004 Lord ..... D23/245  
D501,913 S \* 2/2005 Chen ..... D23/213  
D550,326 S \* 9/2007 Huang ..... D23/213  
D589,592 S \* 3/2009 Genord ..... D23/213  
D636,849 S \* 4/2011 Yoo ..... D23/213  
D646,353 S \* 10/2011 Yoo ..... D23/213

**1 Claim, 1 Drawing Sheet**



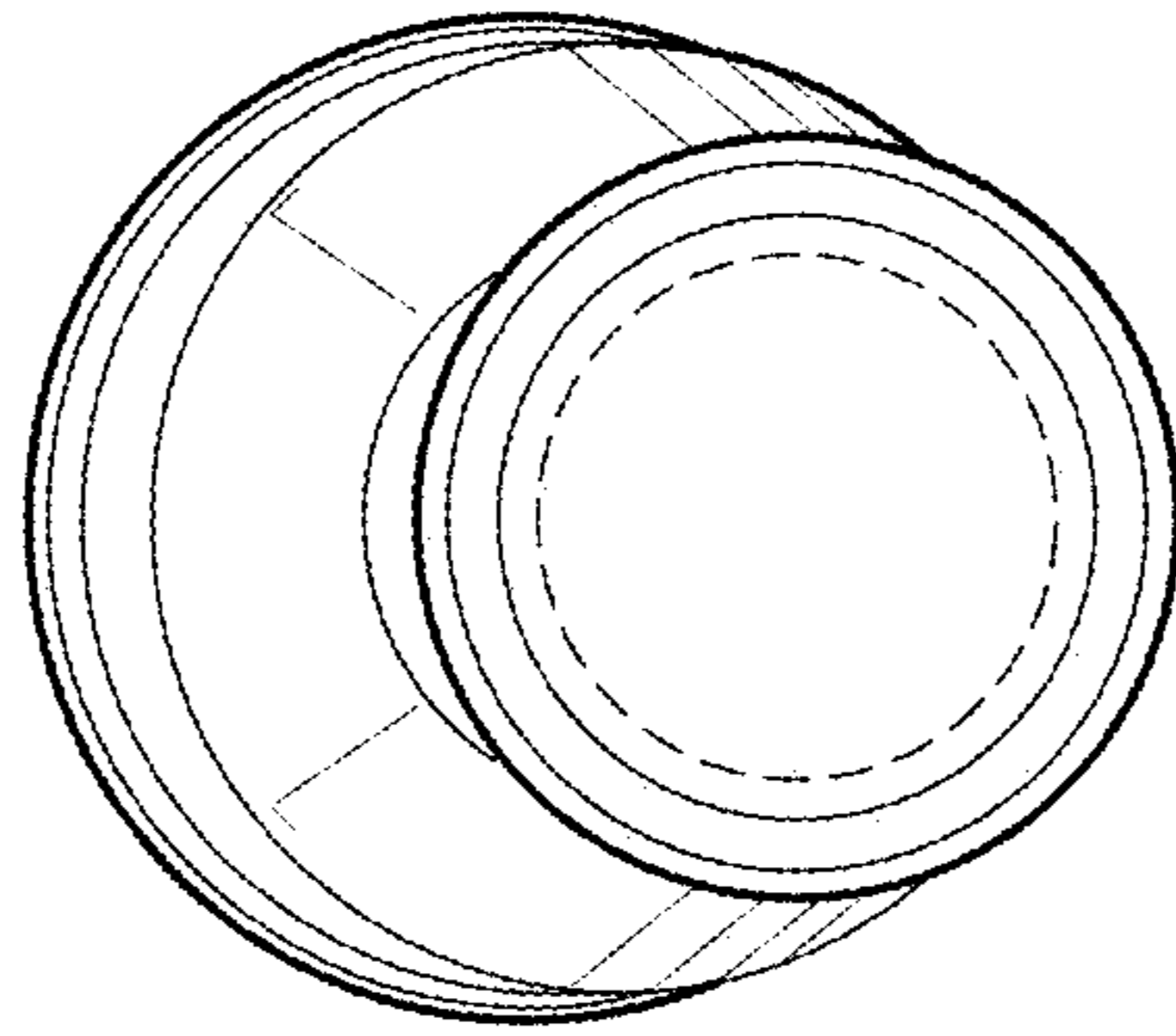


Fig-1

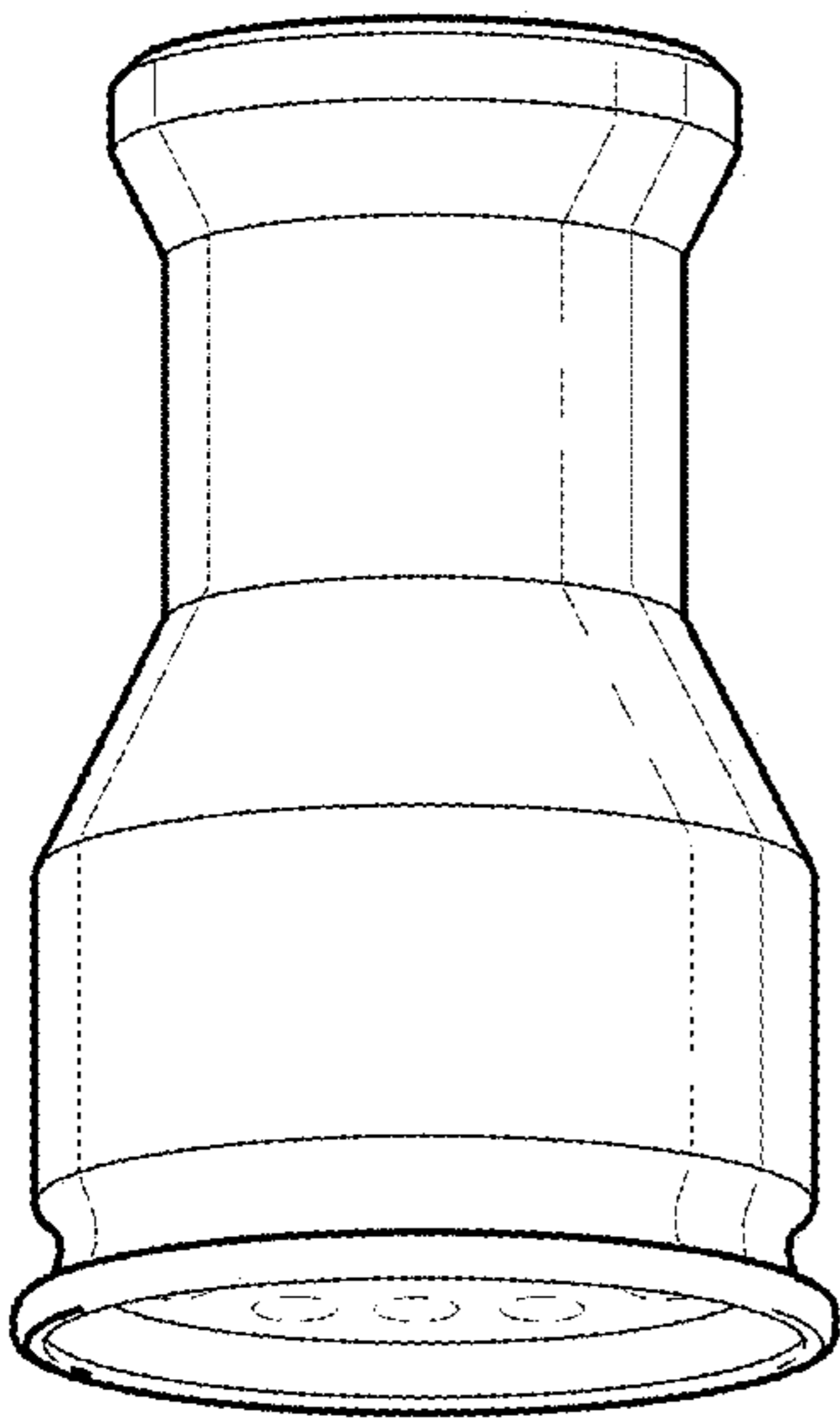


Fig-4

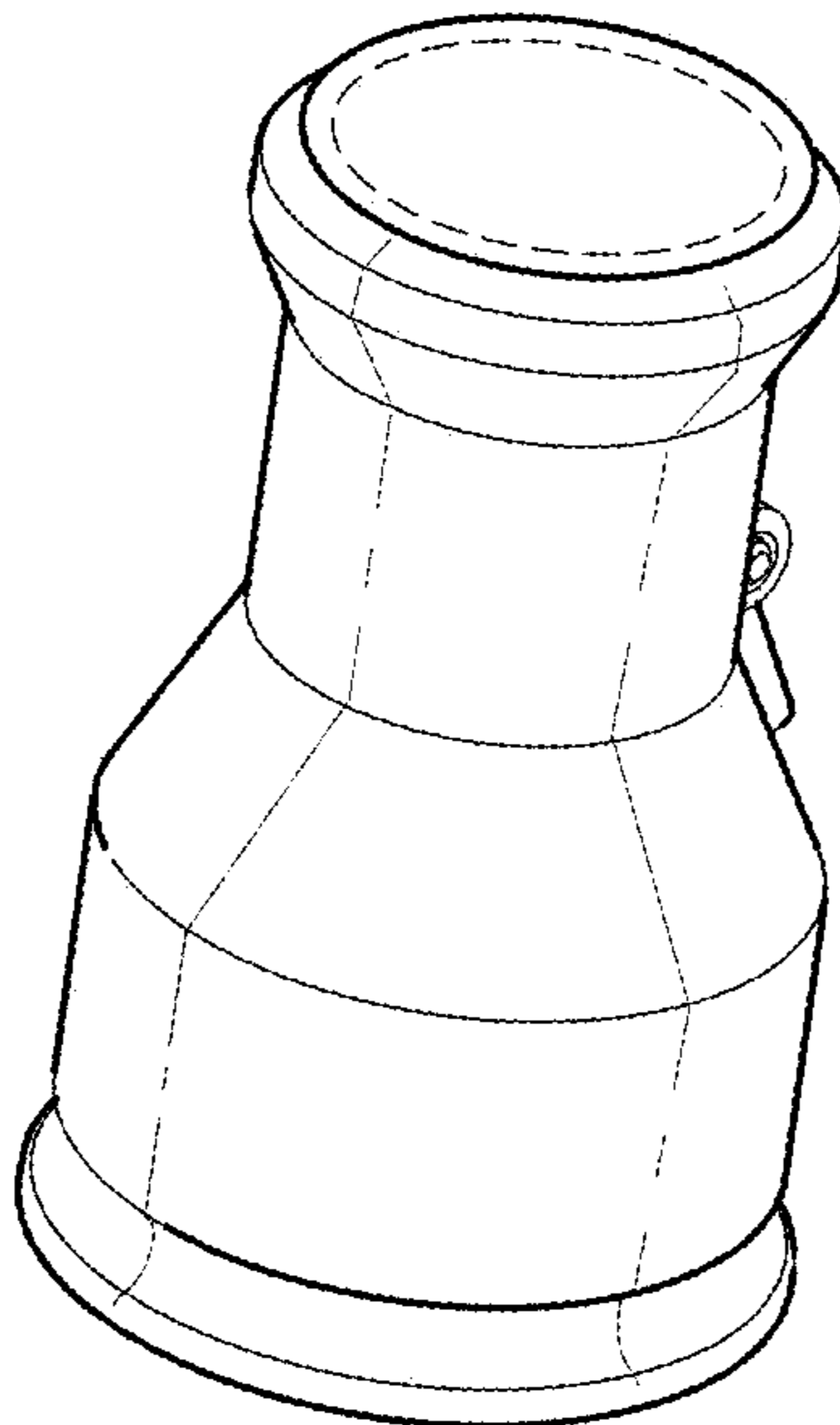


Fig-2

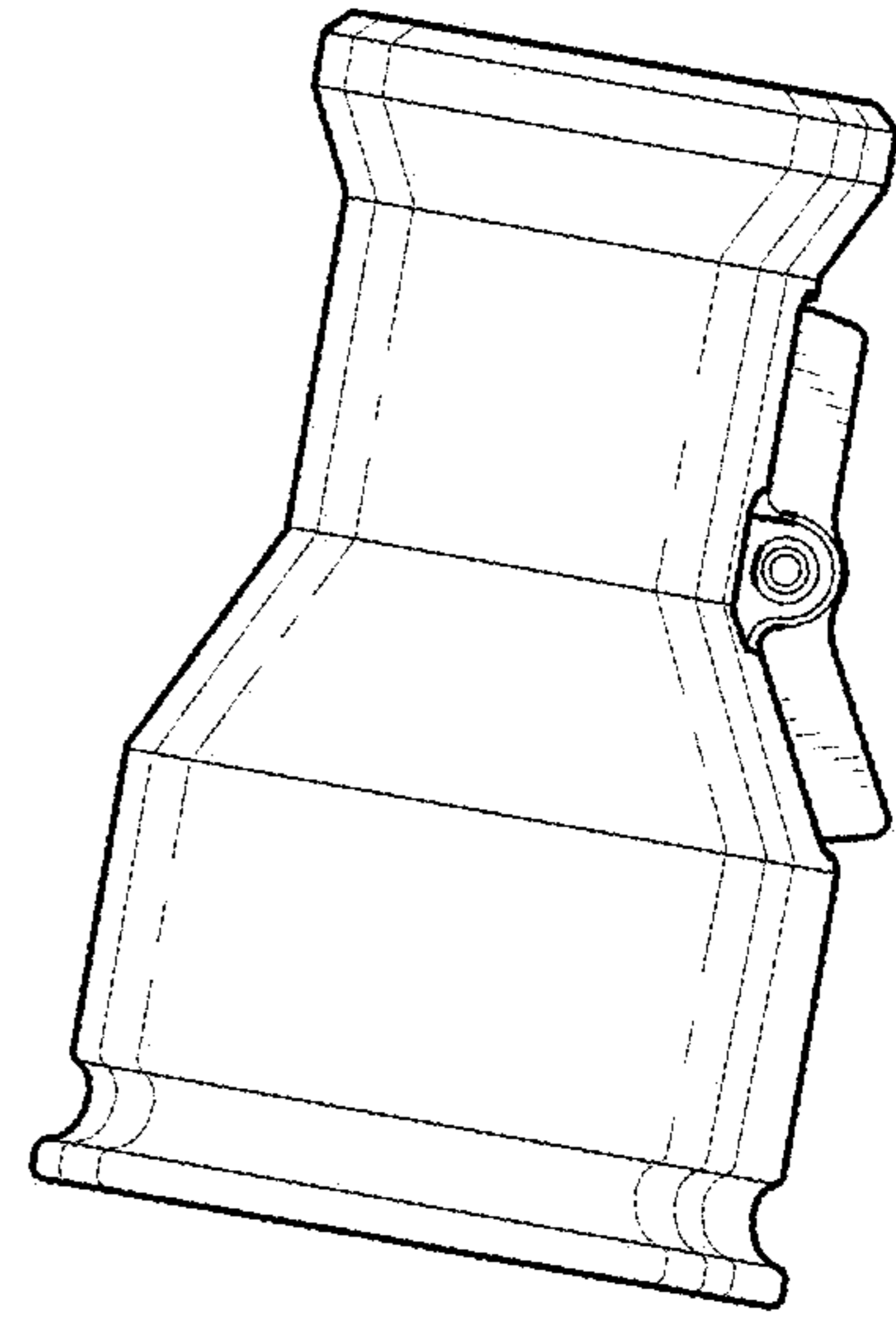


Fig-5

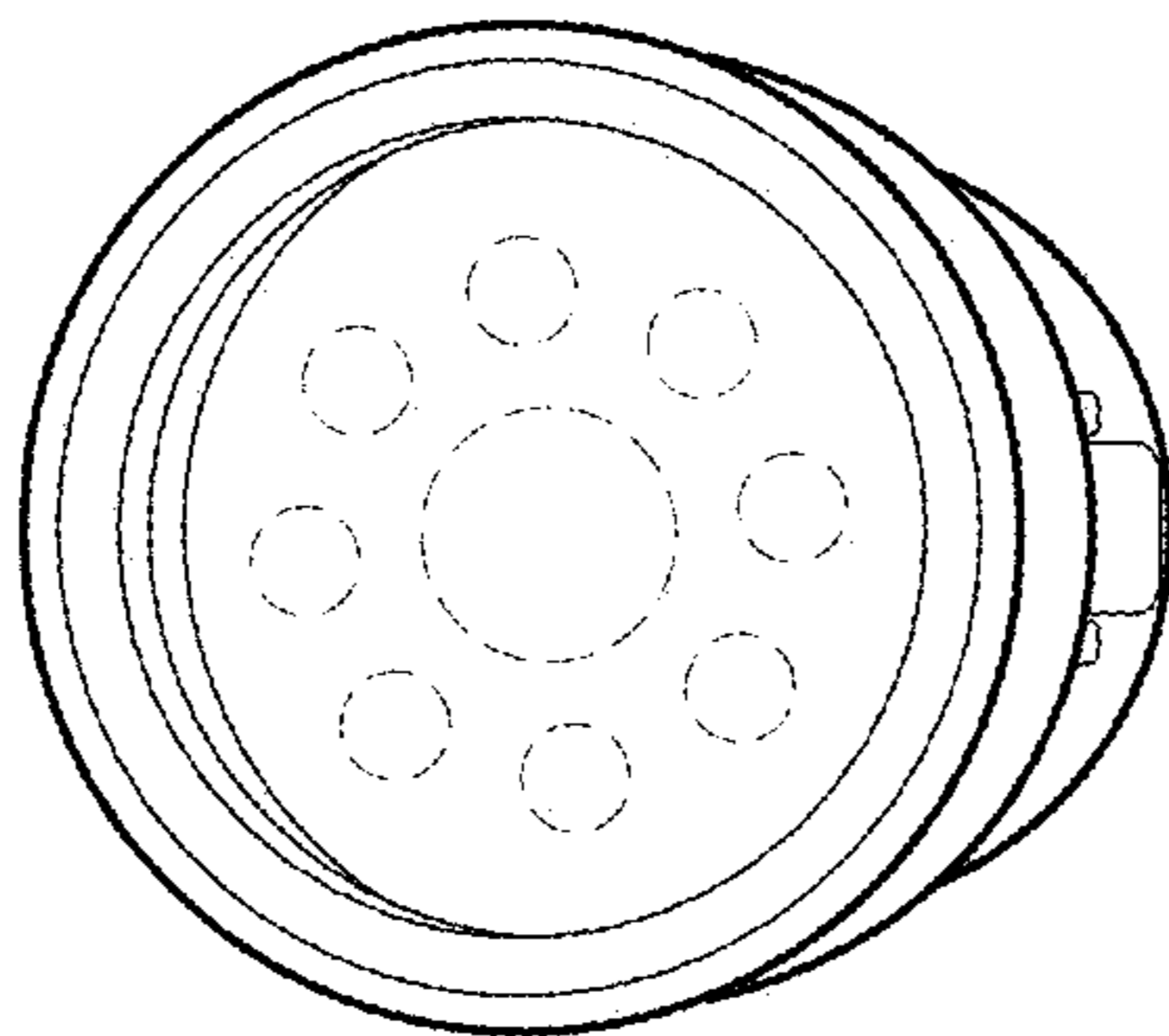


Fig-3