



US00D876580S

(12) **United States Design Patent** (10) **Patent No.:** **US D876,580 S**
Pohl (45) **Date of Patent:** **** Feb. 25, 2020**

(54) **KNIFE**

(71) Applicant: **Pohl Force GmbH**, Burscheid (DE)

(72) Inventor: **Dietmar Pohl**, Burscheid (DE)

(73) Assignee: **POHL FORCE GMBH**, Burscheid (DE)

(**) Term: **15 Years**

(21) Appl. No.: **29/672,114**

(22) Filed: **Dec. 3, 2018**

(30) **Foreign Application Priority Data**

Sep. 17, 2018 (EM) 005643434-0001

(51) **LOC (12) Cl.** **22-02**

(52) **U.S. Cl.**
USPC **D22/118**

(58) **Field of Classification Search**

USPC D22/117-120, 199; D8/95-99, 107;
D21/568; 30/294-295, 151, 152, 153,
30/154, 142, 160

CPC A22B 3/10; B26B 29/025; B26B 3/00;
B26B 11/00; Y10T 16/476; Y10T 83/04

See application file for complete search history.

(56) **References Cited**

U.S. PATENT DOCUMENTS

D704,793 S * 5/2014 Dahan D22/118
D825,708 S * 8/2018 McKillips D22/118
D844,095 S * 3/2019 McKillips D22/118
D844,737 S * 4/2019 Jaramus D22/118

OTHER PUBLICATIONS

www.pohlforce.de, Blade magazine cover, Dec. 2019 (Year: 2019).*

* cited by examiner

Primary Examiner — Catherine R Oliver-Garcia
(74) *Attorney, Agent, or Firm* — Grossman, Tucker,
Perreault & Pflieger, PLLC

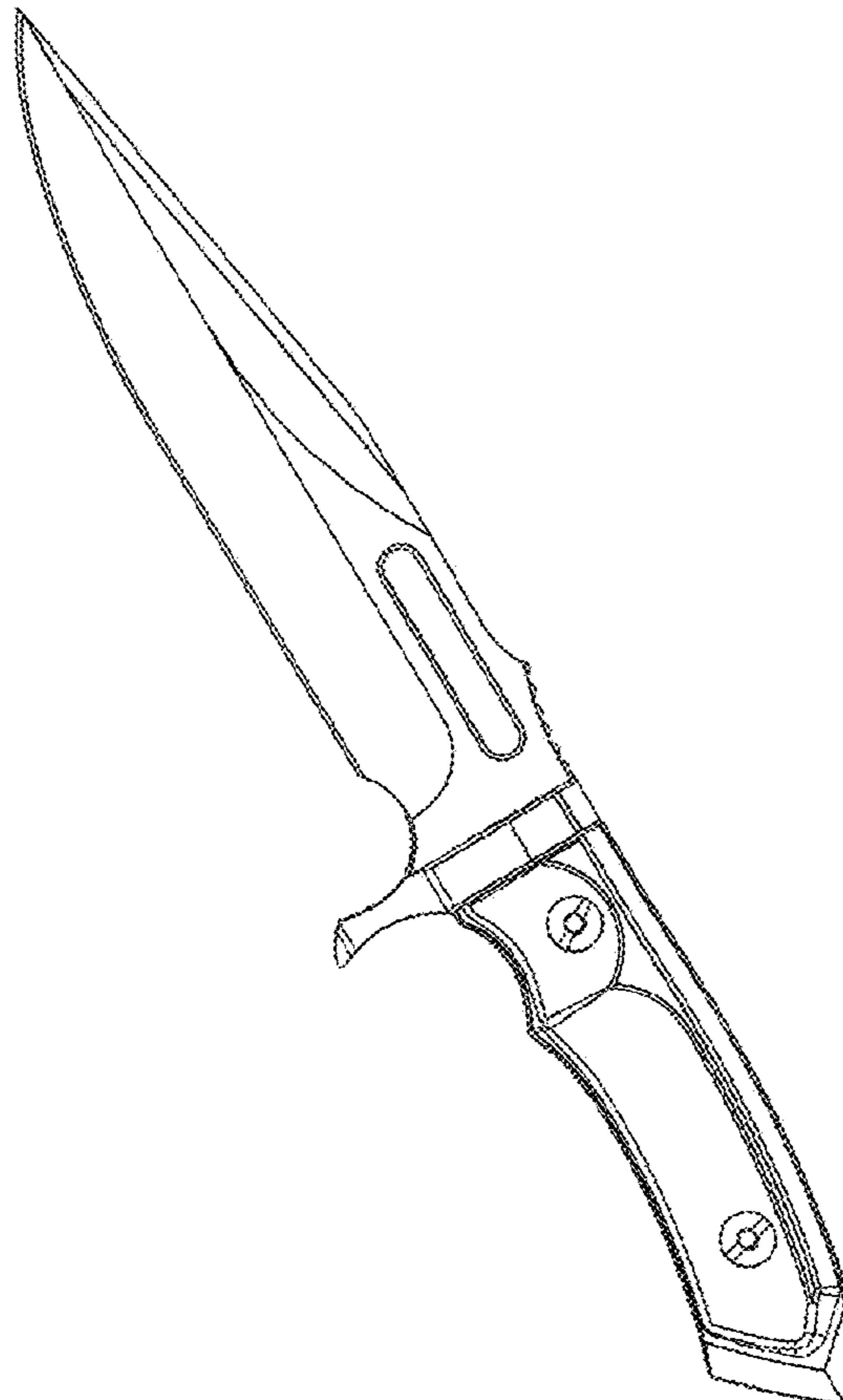
(57) **CLAIM**

The ornamental design for a knife, as shown.

DESCRIPTION

FIG. 1 is a left-side view of a knife of the present invention;
FIG. 2 is a right-side view thereof;
FIG. 3 is a bottom view thereof;
FIG. 4 is a top view thereof;
FIG. 5 is an enlarged rear view thereof; and,
FIG. 6 is an enlarged front view thereof.

1 Claim, 6 Drawing Sheets



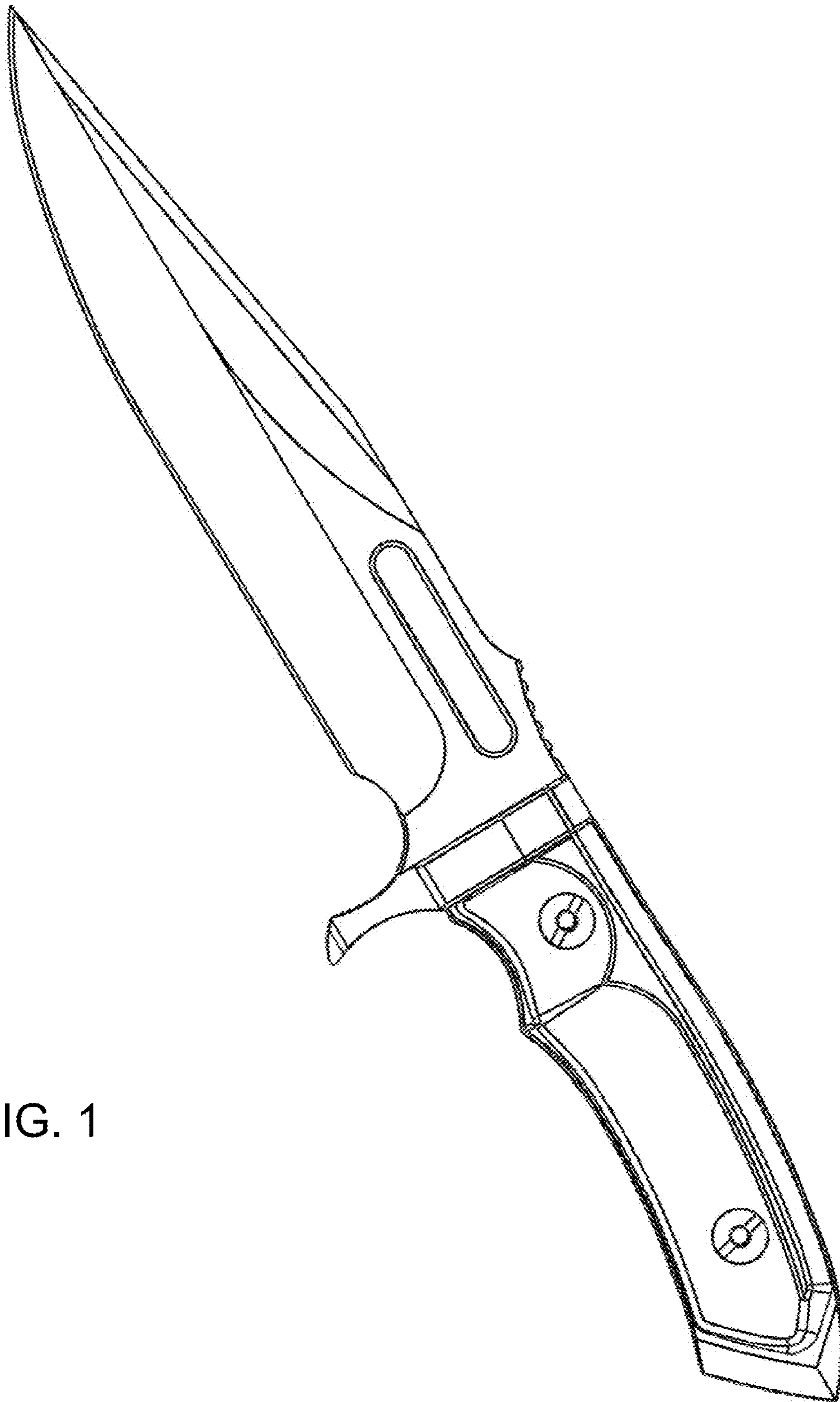


FIG. 1

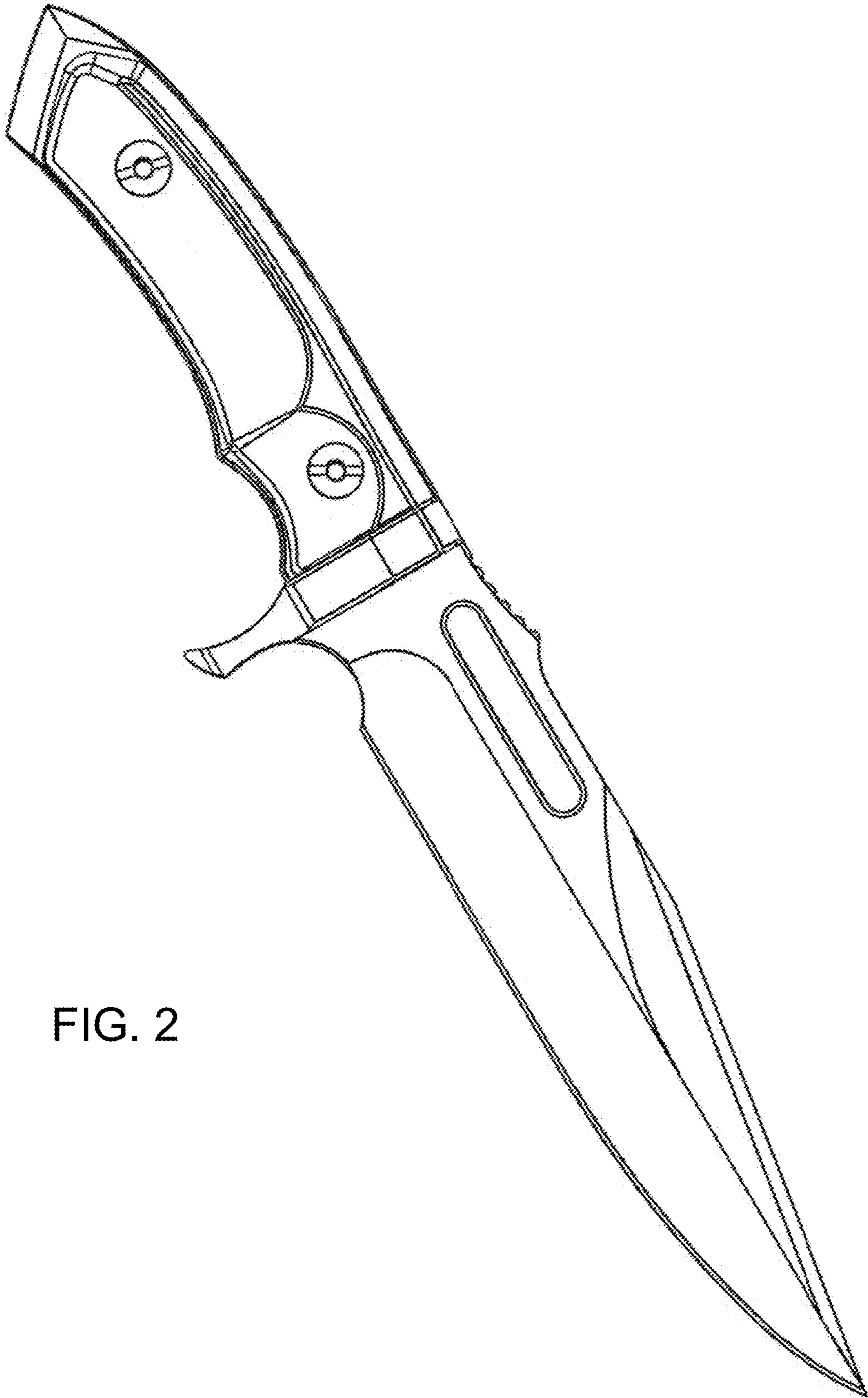


FIG. 2

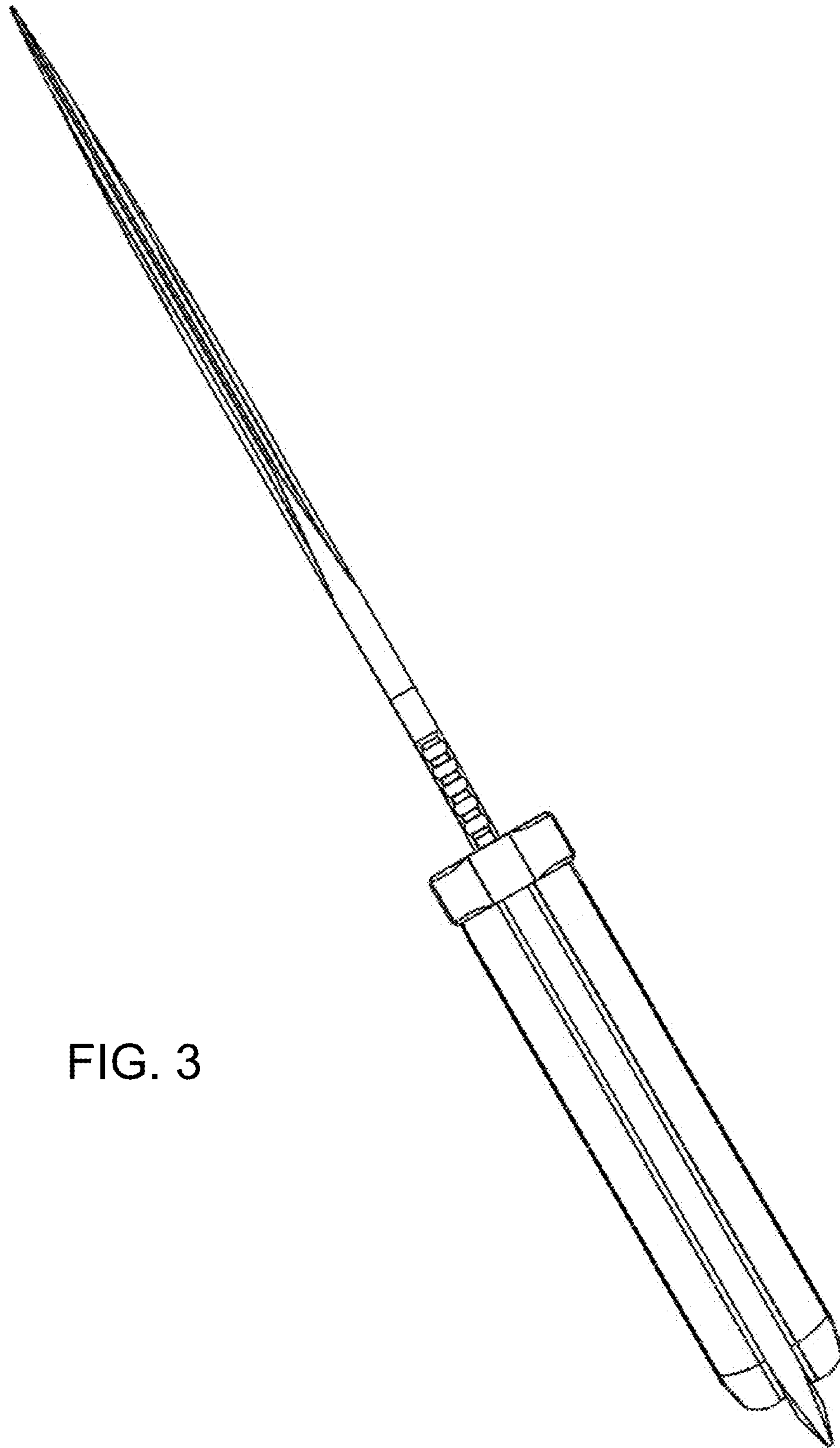


FIG. 3

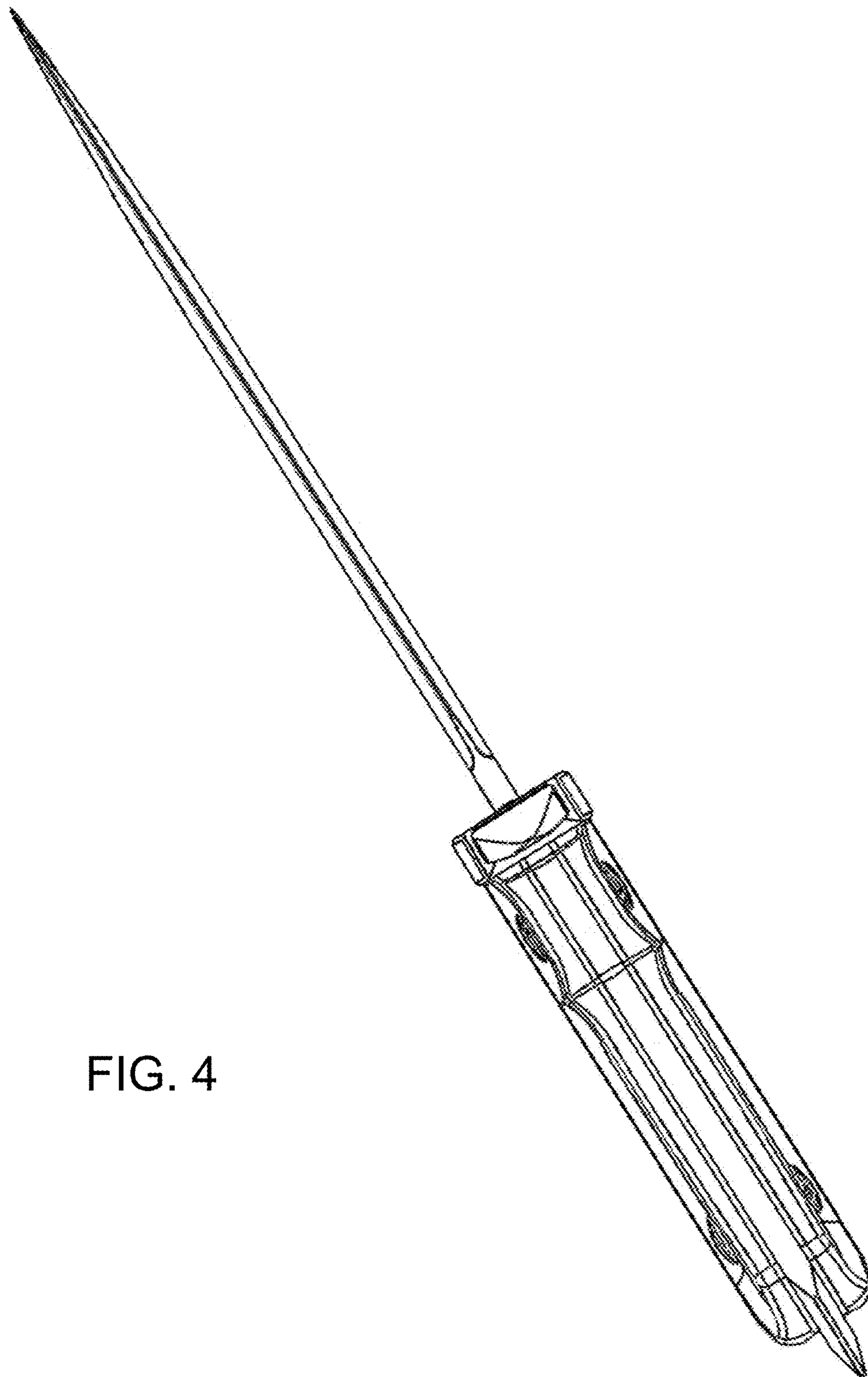


FIG. 4

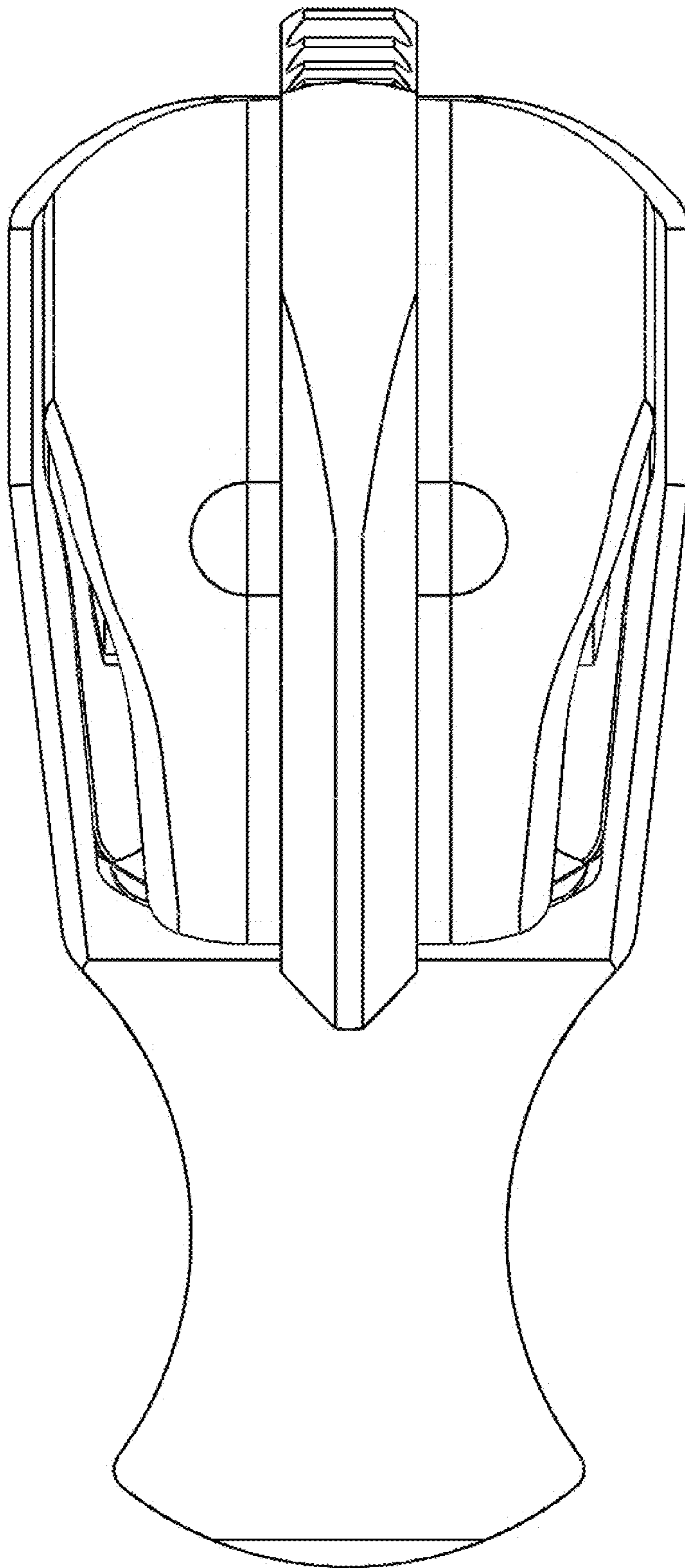


FIG. 5

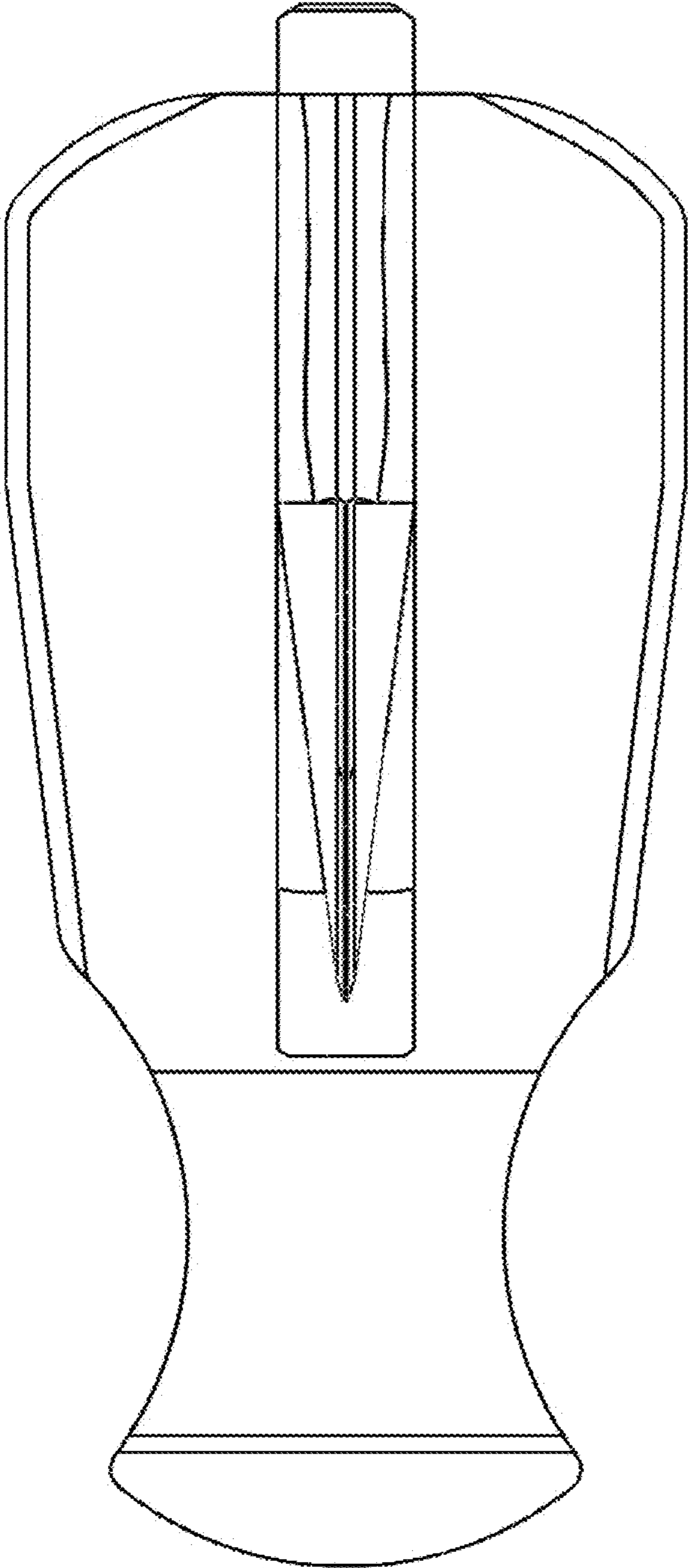


FIG. 6