



US00D876578S

(12) **United States Design Patent**  
**Marin et al.**

(10) **Patent No.:** **US D876,578 S**

(45) **Date of Patent:** **\*\* Feb. 25, 2020**

(54) **PROJECTILE FOR AMMUNITION**

(71) Applicant: **Quantum Ammunition, LLC**,  
Savannah, GA (US)

(72) Inventors: **Juan Carlos Marin**, Girona (ES); **Paul Lemke**, Savannah, GA (US); **Kyle Adam Masinelli**, Oxford, MS (US); **Connor McDermott**, Abbeville, MS (US)

(\*\*) Term: **15 Years**

(21) Appl. No.: **29/629,659**

(22) Filed: **Dec. 14, 2017**

(51) **LOC (12) Cl.** ..... **22-03**

(52) **U.S. Cl.**  
USPC ..... **D22/116**

(58) **Field of Classification Search**  
USPC ..... D21/301, 304, 567, 570, 571, 573, 574,  
D21/575, 746; D22/100, 101, 102, 103,  
D22/106, 107, 108, 109, 110, 111, 112,  
D22/115, 116, 199

CPC ..... F41A 3/26; F41A 3/12; F41A 5/02; F41A  
17/22; F41B 5/143; F41B 5/14; F41B  
5/066; F41B 7/08; F41B 5/1446; F41B  
5/148; F41B 5/1465; F42B 6/04; F42B  
6/08; F42B 6/02; F42B 6/06; F42B  
12/362; F41C 23/16; F41C 27/00; F41C  
7/00; F41G 11/003; F41G 11/001; F41G  
11/004; F41G 11/005; A63H 5/04

See application file for complete search history.

(56) **References Cited**

**U.S. PATENT DOCUMENTS**

4,251,079 A \* 2/1981 Earl ..... F42B 6/10  
102/501  
5,133,261 A \* 7/1992 Kelsey, Jr. .... F42B 10/22  
102/439  
6,692,083 B2 \* 2/2004 Latham ..... E21C 35/18  
299/104

7,526,998 B2 \* 5/2009 Vasel ..... F42B 7/08  
102/370  
8,192,310 B2 \* 6/2012 Harris ..... F42B 6/08  
473/582  
8,789,470 B2 \* 7/2014 Frank ..... F42B 7/10  
102/506  
D732,635 S \* 6/2015 Riley ..... D22/116  
D733,834 S \* 7/2015 Burczynski ..... D22/115  
D735,289 S \* 7/2015 Burczynski ..... D22/115

(Continued)

**OTHER PUBLICATIONS**

“Inceptor ARX Ammo from PolyCase Ammunition: Guns & Gear[S7”  
[online]. Gun Talk Media. [Published on Sep. 29, 2015]. Retrieved  
from the Internet: <<https://www.youtube.com/watch?v=Bs1ecdqQWIU>>.\*

*Primary Examiner* — Khawaja Anwar

*Assistant Examiner* — Mojtaba Tehrani

(74) *Attorney, Agent, or Firm* — Withers & Keys, LLC

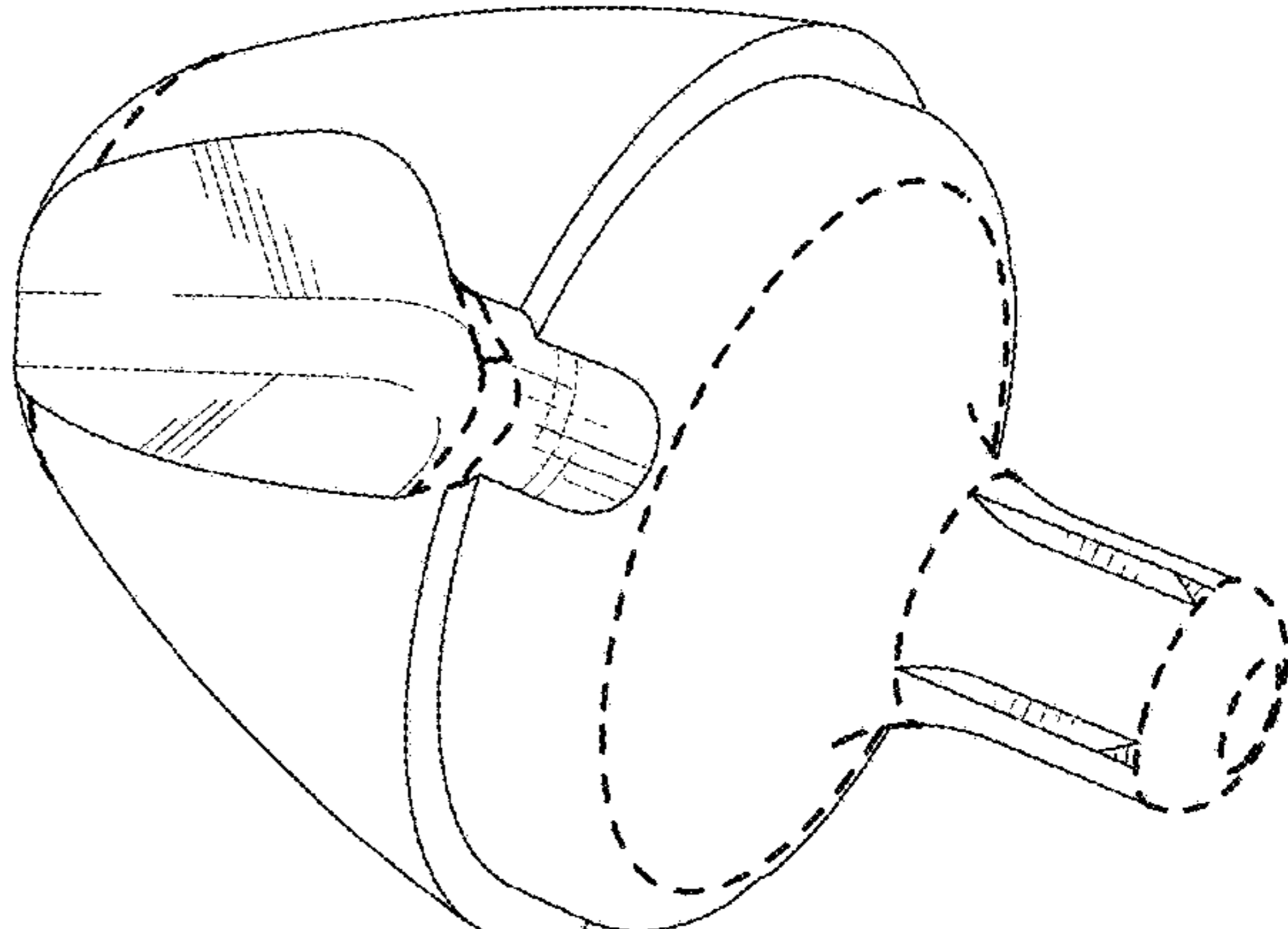
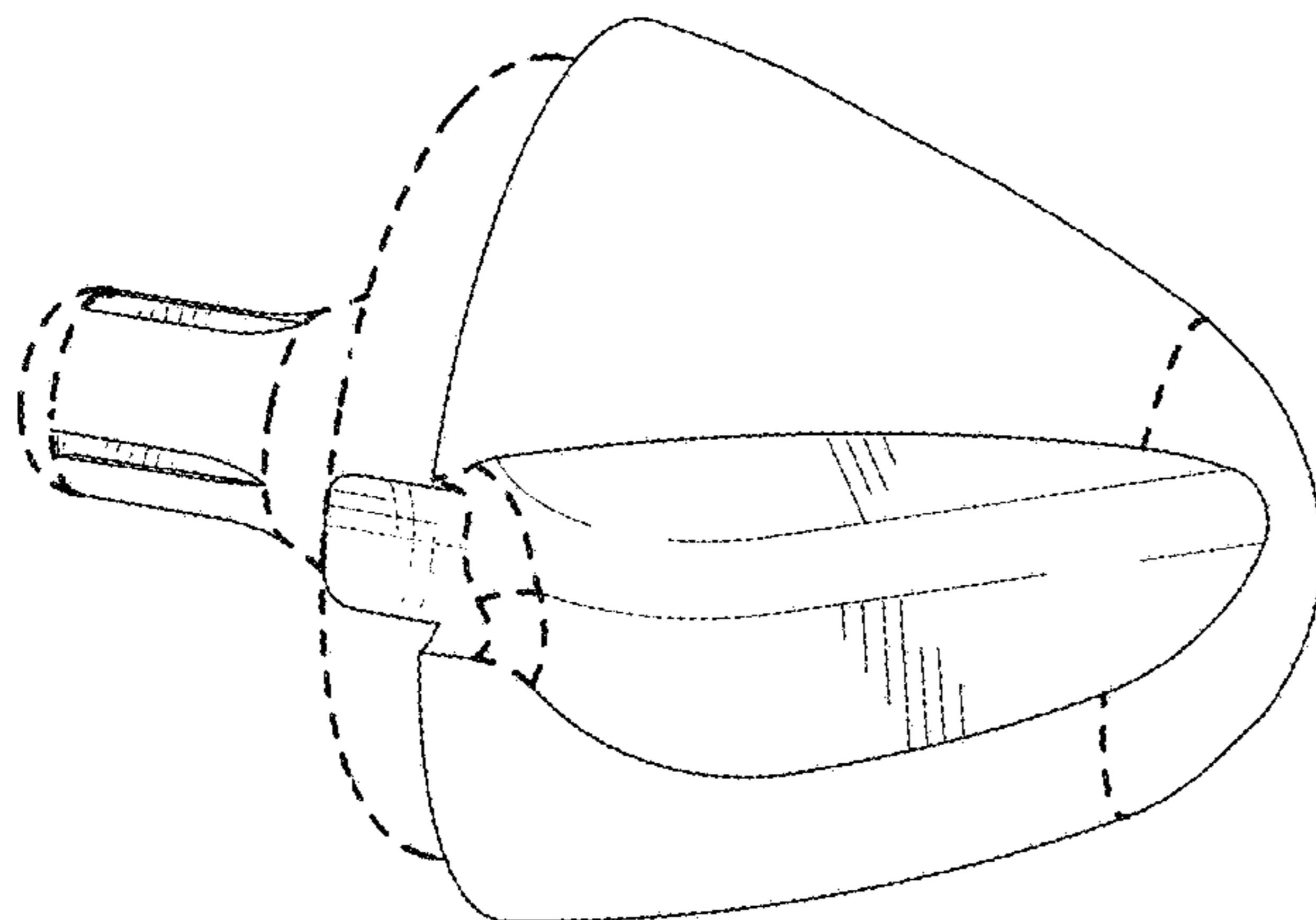
(57) **CLAIM**

The ornamental design for projectile for ammunition, as shown and described.

**DESCRIPTION**

FIG. 1 is a perspective side view of the projectile for ammunition showing our new design;  
FIG. 2 is a side bottom perspective view thereof;  
FIG. 3 is a front elevation view thereof;  
FIG. 4 is a rear elevation view thereof;  
FIG. 5 is a top plan view thereof;  
FIG. 6 is a bottom plan view thereof;  
FIG. 7 is a left side elevation view thereof; and,  
FIG. 8 is a right side elevation view thereof.  
The dashed broken lines shown in the drawings illustrate portions of the projectile for ammunition that forms no part of the claimed design.  
Non-shaded surfaces within the claimed boundary form no part of the claimed design.

**1 Claim, 8 Drawing Sheets**



(56)

## References Cited

## U.S. PATENT DOCUMENTS

D748,220 S \* 1/2016 Fricke ..... D22/116  
D752,702 S \* 3/2016 Arnedo Vera ..... D22/116  
D752,703 S \* 3/2016 Arnedo Vera ..... D22/116  
D753,258 S \* 4/2016 Arnedo Vera ..... D22/116  
9,354,027 B2 \* 5/2016 Flint ..... F42B 12/367  
D759,781 S \* 6/2016 Hagan ..... D22/109  
D764,624 S \* 8/2016 Masinelli ..... D22/116  
D765,215 S \* 8/2016 Gibson ..... D22/115  
D775,305 S \* 12/2016 Fiocchi ..... D22/116  
D780,282 S \* 2/2017 Riley ..... D22/116  
D781,993 S \* 3/2017 Schultz ..... D22/116  
D782,601 S \* 3/2017 Riley ..... D22/116  
D782,602 S \* 3/2017 Riley ..... D22/116  
9,709,368 B2 \* 7/2017 Mahnke ..... F42B 10/22  
9,829,293 B2 \* 11/2017 Fricke ..... F42B 12/04  
D813,974 S \* 3/2018 Peterson ..... D22/116  
2002/0100389 A1 \* 8/2002 May ..... F42B 6/10  
102/501  
2006/0027128 A1 \* 2/2006 Hober ..... F42B 14/02  
102/514  
2007/0074637 A1 \* 4/2007 Pontieri ..... F42B 6/10  
102/501  
2007/0151474 A1 \* 7/2007 Widener ..... F42B 10/24  
102/501  
2016/0047638 A1 \* 2/2016 Golloher ..... F42B 12/34  
102/501  
2016/0231093 A1 \* 8/2016 Lemke ..... F42B 12/74

\* cited by examiner

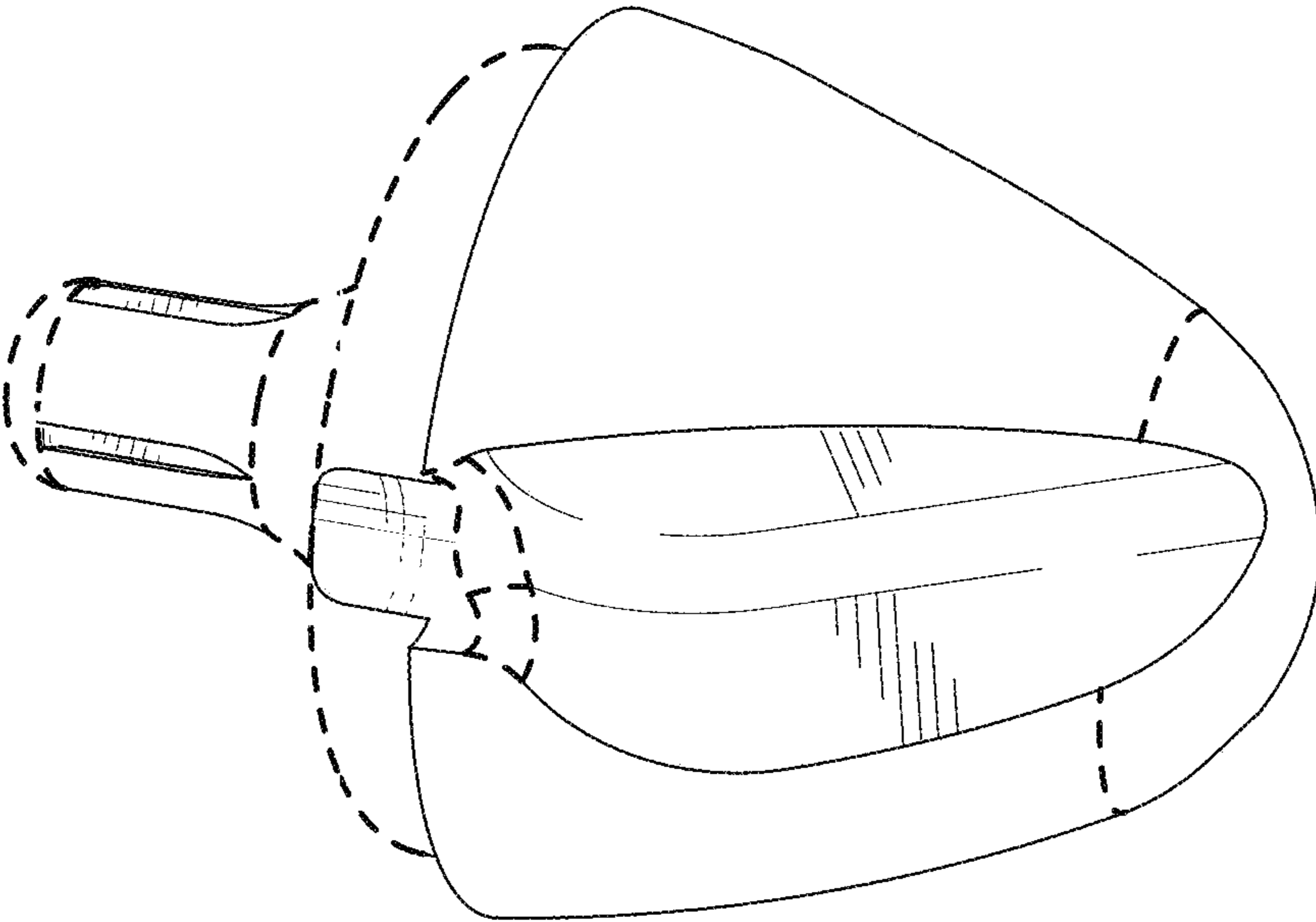


Fig. 1

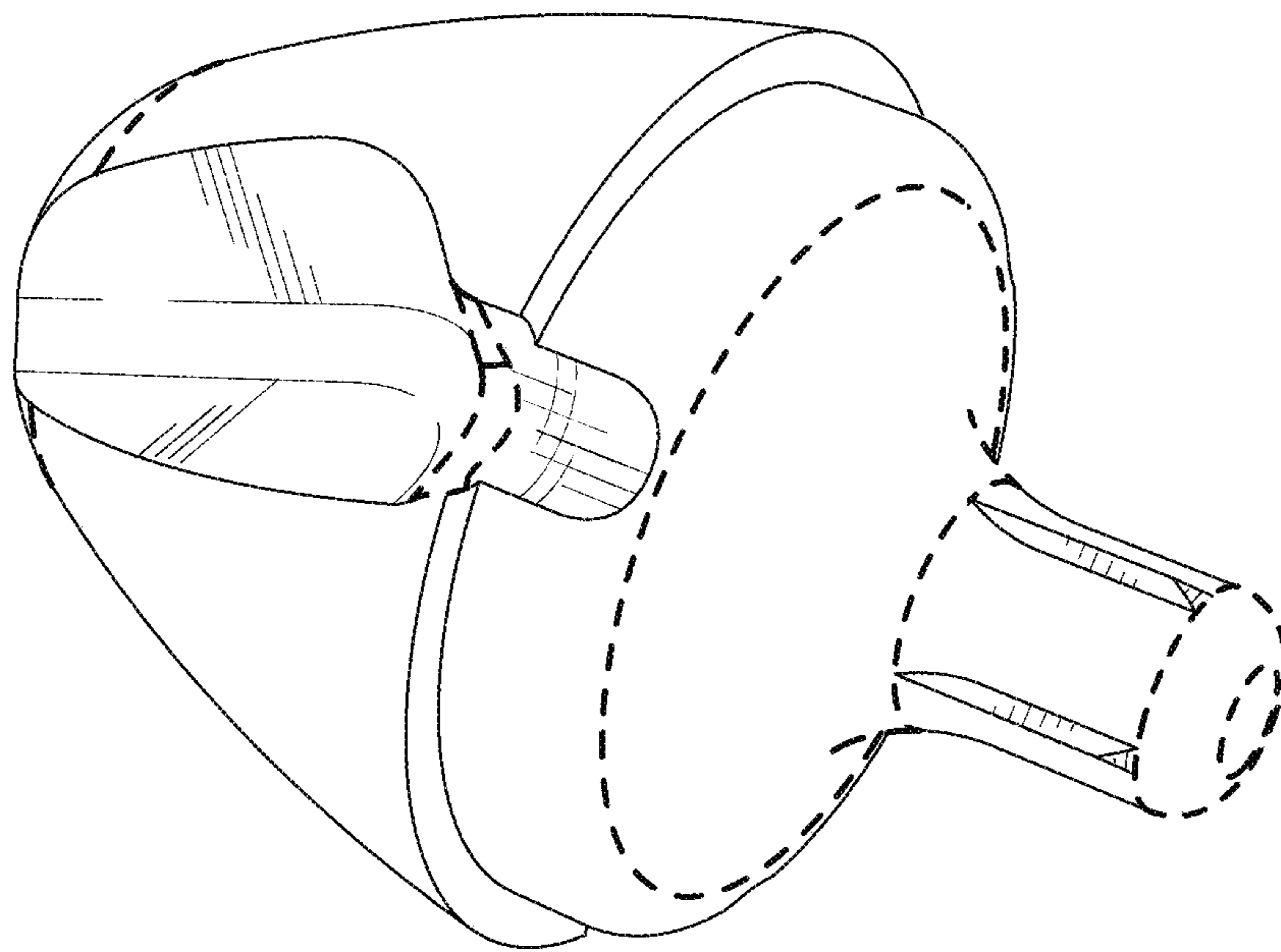


Fig. 2

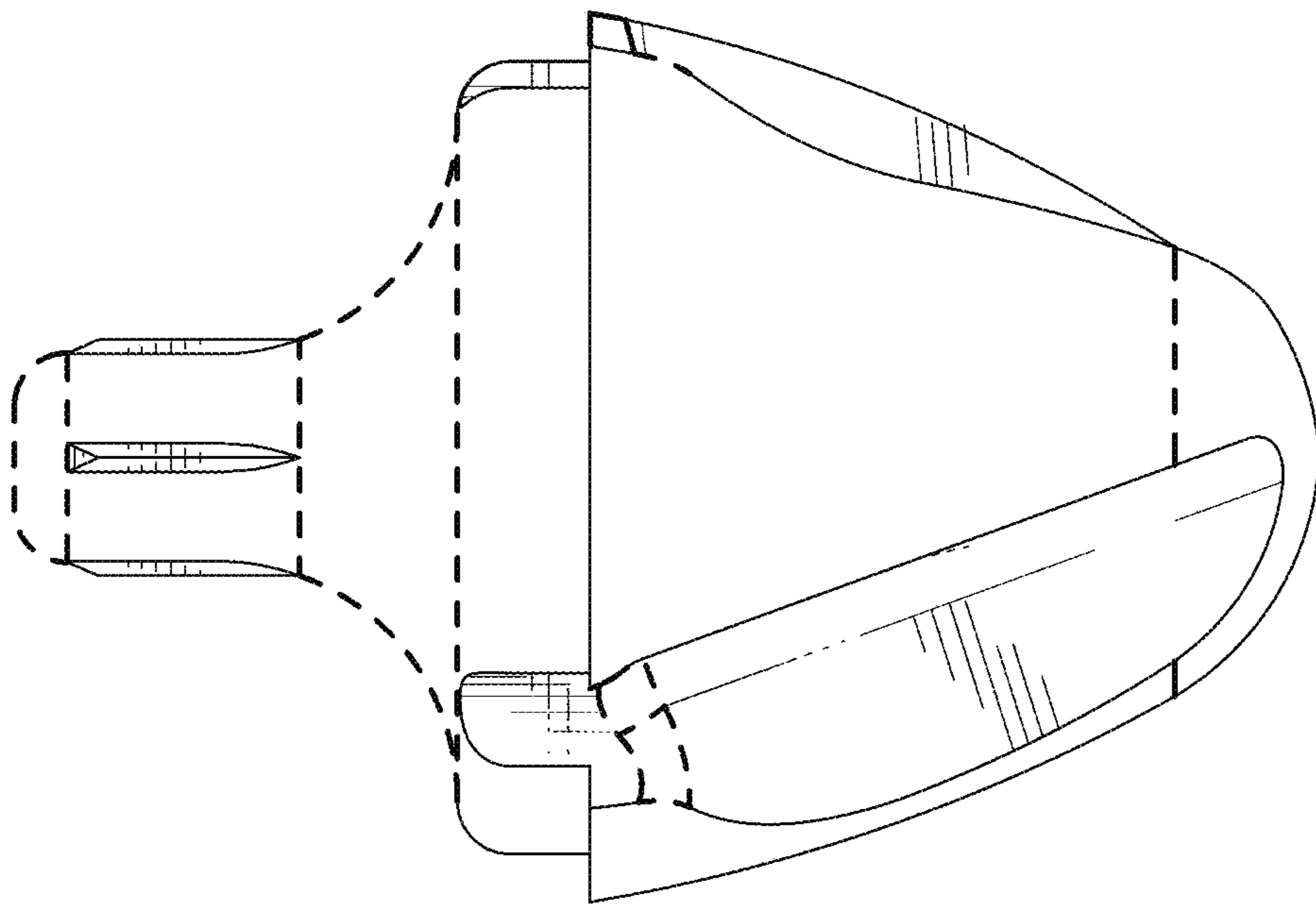


Fig. 3

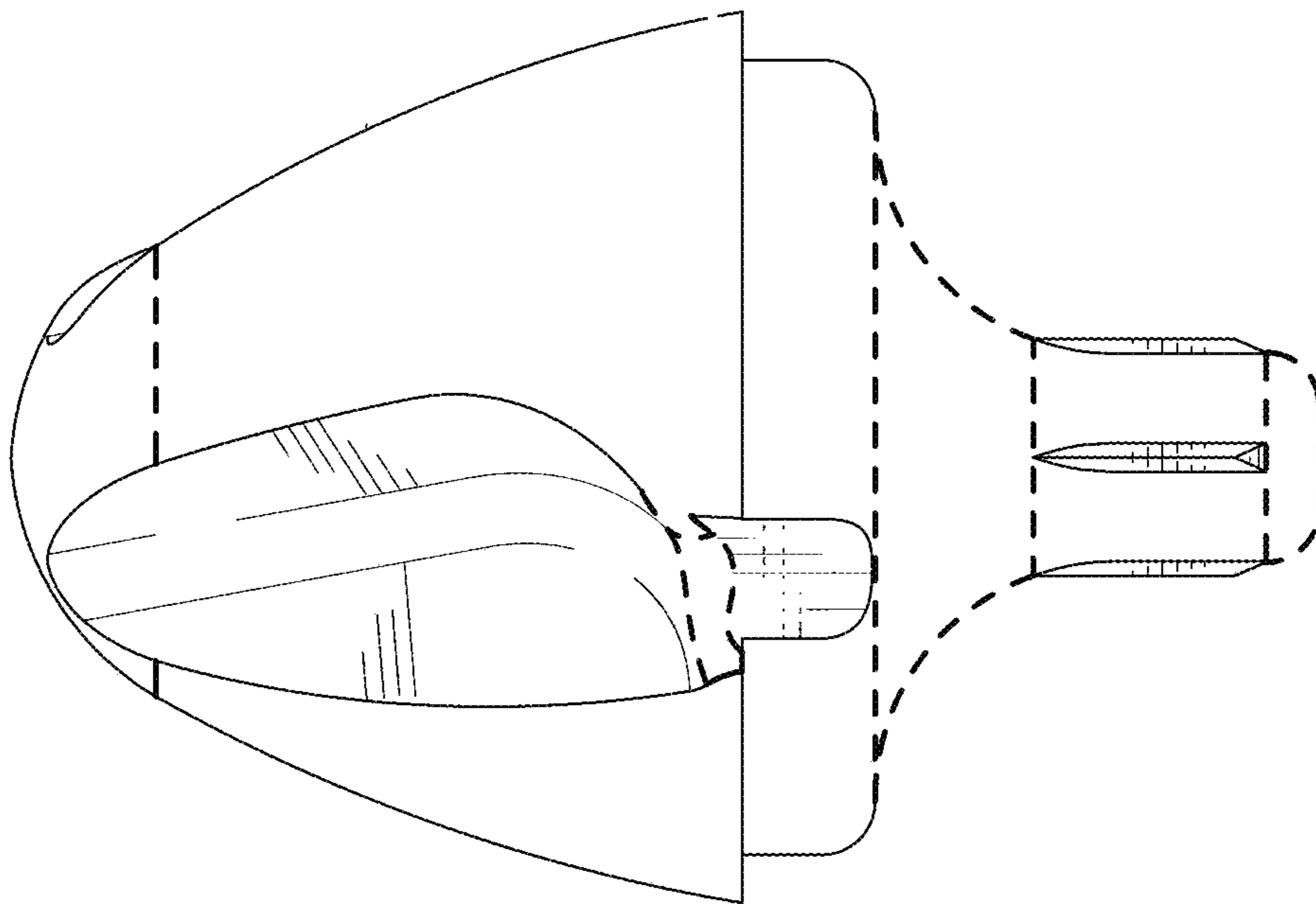


Fig. 4

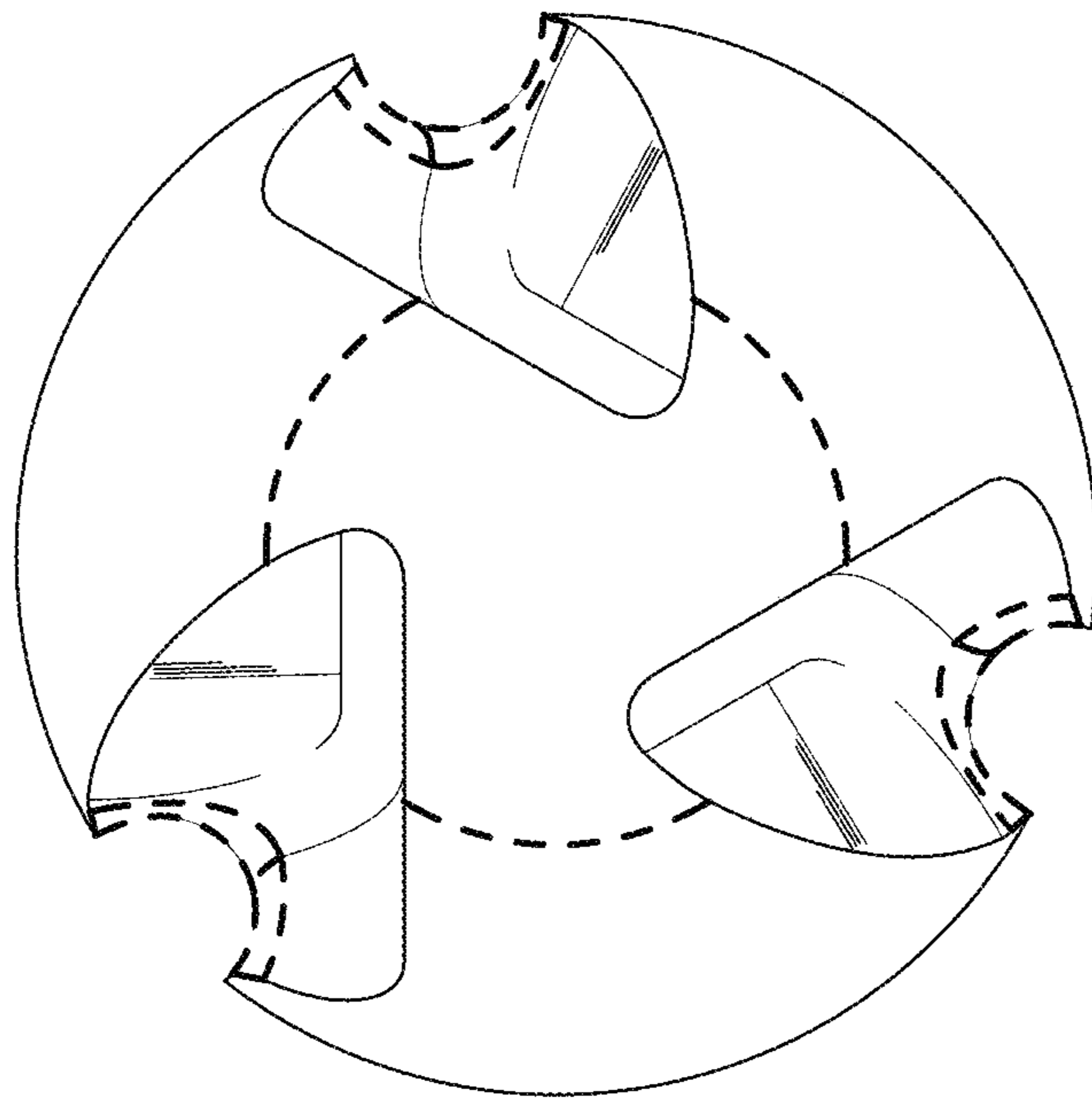


Fig. 5



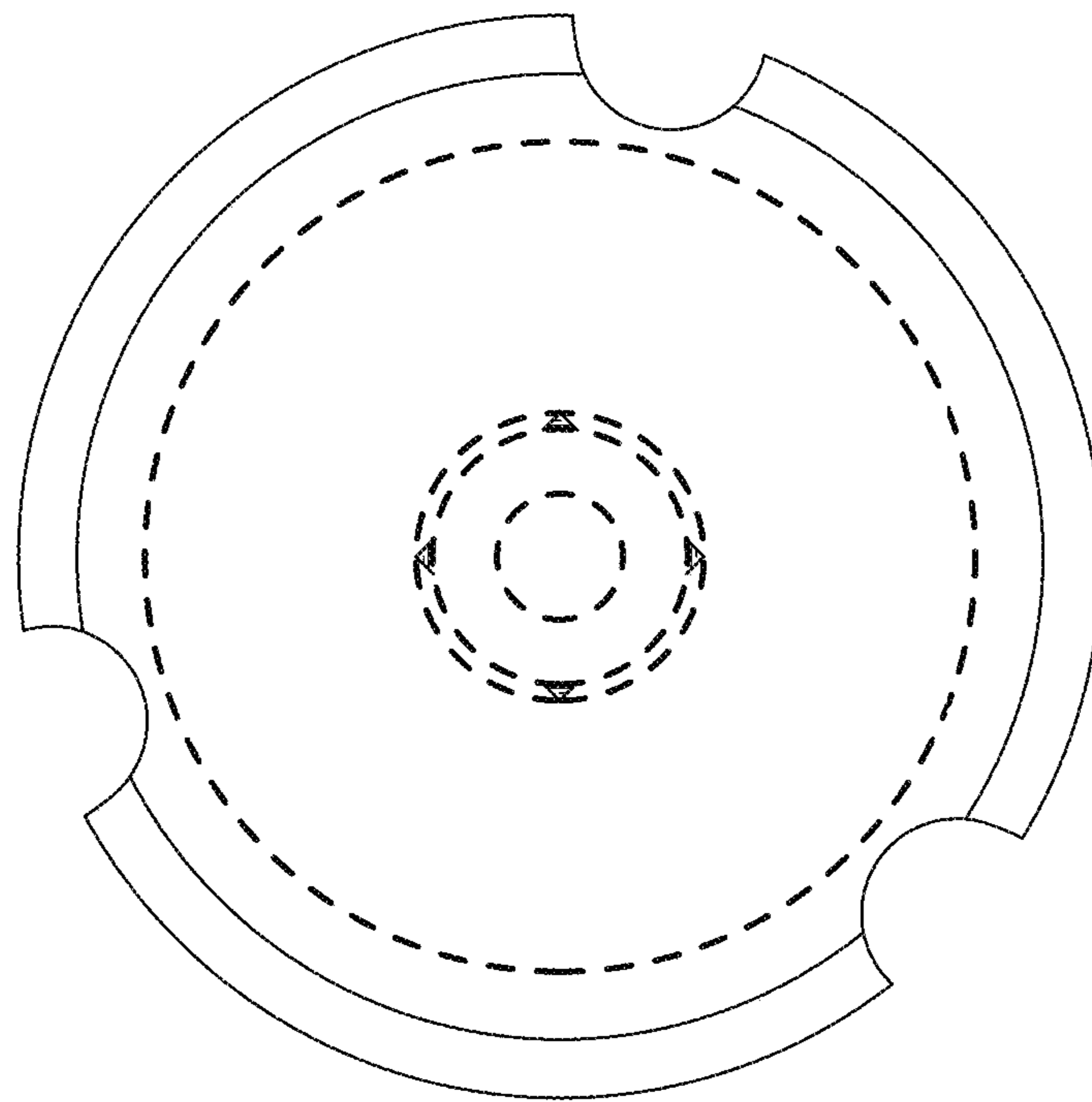


Fig. 6



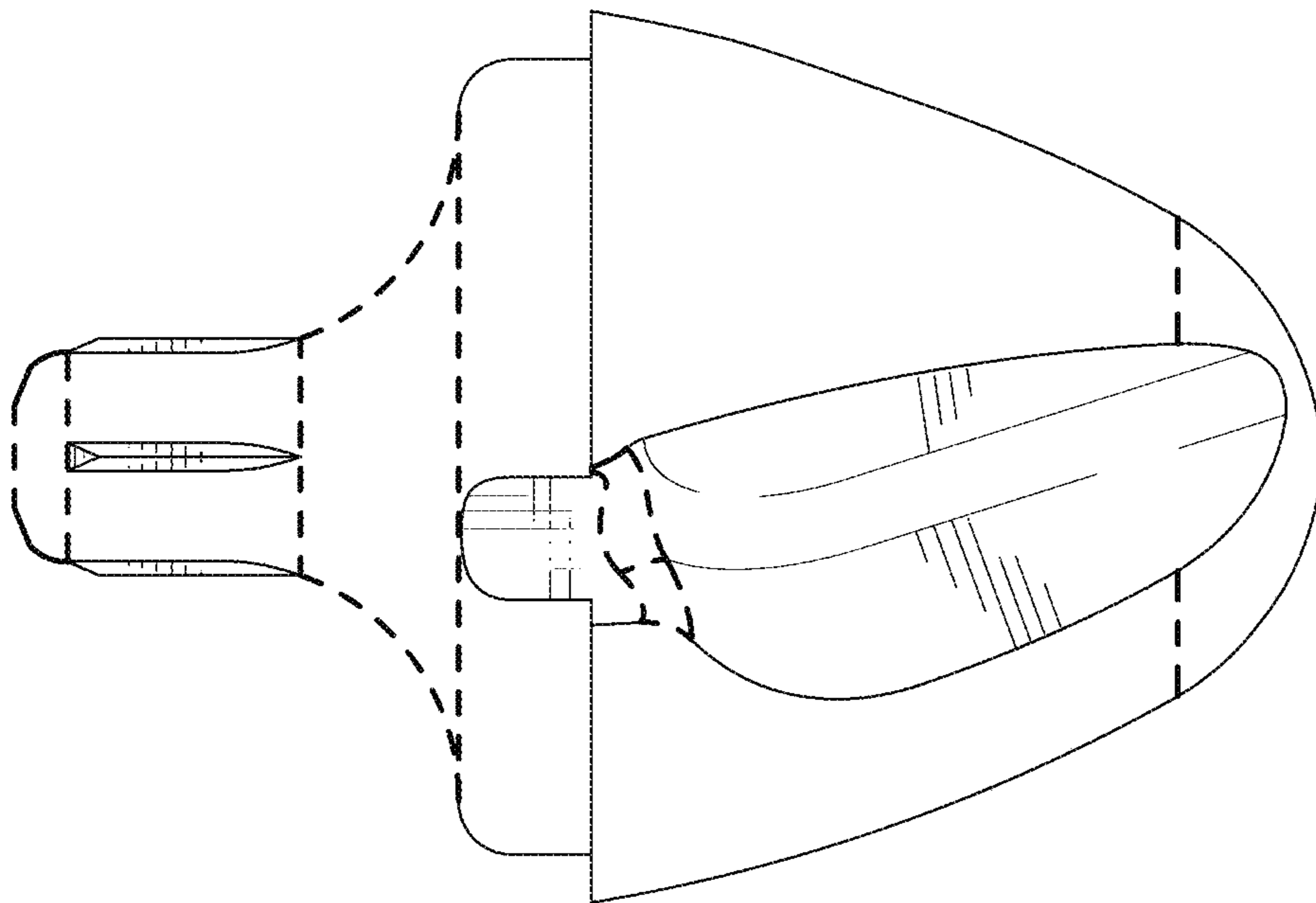


Fig. 7

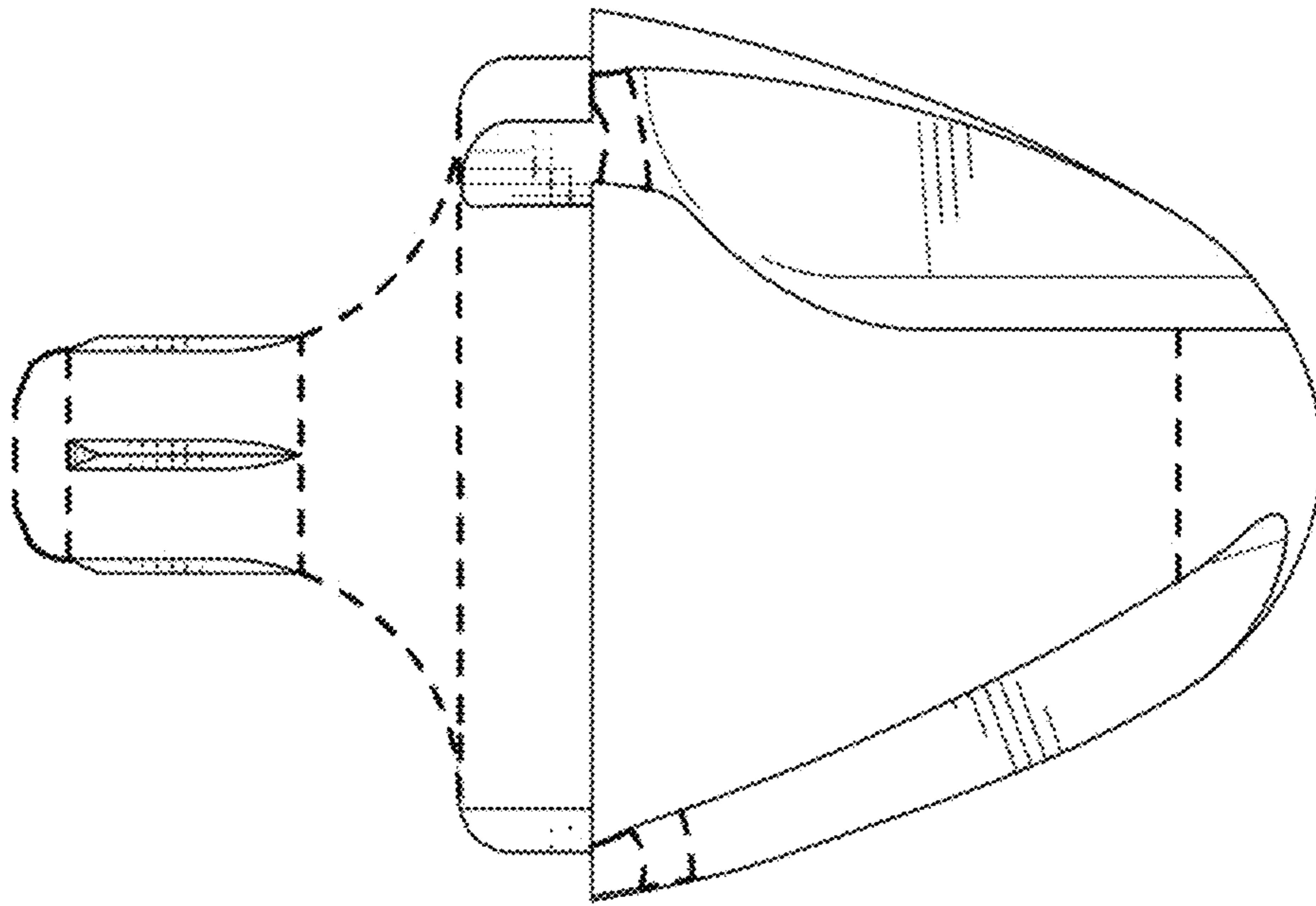


Fig. 8