



US00D876576S

(12) **United States Design Patent**
Gerlings

(10) **Patent No.:** **US D876,576 S**

(45) **Date of Patent:** **** Feb. 25, 2020**

(54) **FIREARM SAFETY SELECTOR**

(71) Applicant: **Phillip Gerlings**, Chandler, AZ (US)

(72) Inventor: **Phillip Gerlings**, Chandler, AZ (US)

(**) Term: **15 Years**

(21) Appl. No.: **29/669,723**

(22) Filed: **Nov. 9, 2018**

(51) **LOC (12) Cl.** **22-01**

(52) **U.S. Cl.**
USPC **D22/108**

(58) **Field of Classification Search**
USPC D22/100, 103, 104, 105, 108, 109, 110,
D22/111, 199; D21/567, 573, 574, 575
CPC F41C 23/04; F41C 23/08; F41C 23/16;
F41G 1/02; F41G 1/027; F41G 1/06;
F41A 17/46; F41A 19/11
See application file for complete search history.

(56) **References Cited**

U.S. PATENT DOCUMENTS

D639,378	S *	6/2011	Burt	D22/108
D653,300	S *	1/2012	Emde	D22/103
8,276,502	B1 *	10/2012	Wright	F41A 17/46 42/70.01
8,683,729	B2 *	4/2014	Bova	F41A 17/46 42/70.01
D721,779	S *	1/2015	Emde	D22/103
D723,646	S *	3/2015	Keezer	D22/108
D724,169	S *	3/2015	Emde	D22/103
D741,440	S *	10/2015	Hormann	D22/108
9,829,262	B1 *	11/2017	Suttie	F41A 17/46
D834,131	S *	11/2018	Geissele	D22/108
10,126,081	B1 *	11/2018	Geissele	F41A 17/46
D841,755	S *	2/2019	Pavlick	D22/108
D855,735	S *	8/2019	Geissele	D22/108
D856,457	S *	8/2019	Montes	D22/108
2008/0187888	A1 *	8/2008	Jones	F41A 33/02 434/21
2012/0325044	A1 *	12/2012	Brown	F41A 19/33 74/548

(Continued)

OTHER PUBLICATIONS

“CZ Scorpion Evo | How to Install Gear Head Works Ambi Safety Install” [online]. Musty Yeti. [Published on Jun. 19, 2016]. Retrieved from the Internet: <<https://www.youtube.com/watch?v=HZQuKk7QCZ0>>.*

(Continued)

Primary Examiner — Khawaja Anwar

Assistant Examiner — Mojtaba Tehrani

(74) *Attorney, Agent, or Firm* — Gregory Stauff

(57) **CLAIM**

The ornamental design for a firearm safety selector, as shown and described.

DESCRIPTION

FIG. 1 is a top elevational view of a safety selector showing my new design;

FIG. 2 is a left side elevational view thereof;

FIG. 3 is a bottom elevational view thereof;

FIG. 4 is a right side elevational view thereof;

FIG. 5 is a back side view thereof;

FIG. 6 is a front side view thereof;

FIG. 7 is a left side perspective view thereof;

FIG. 8 is a right side perspective view thereof;

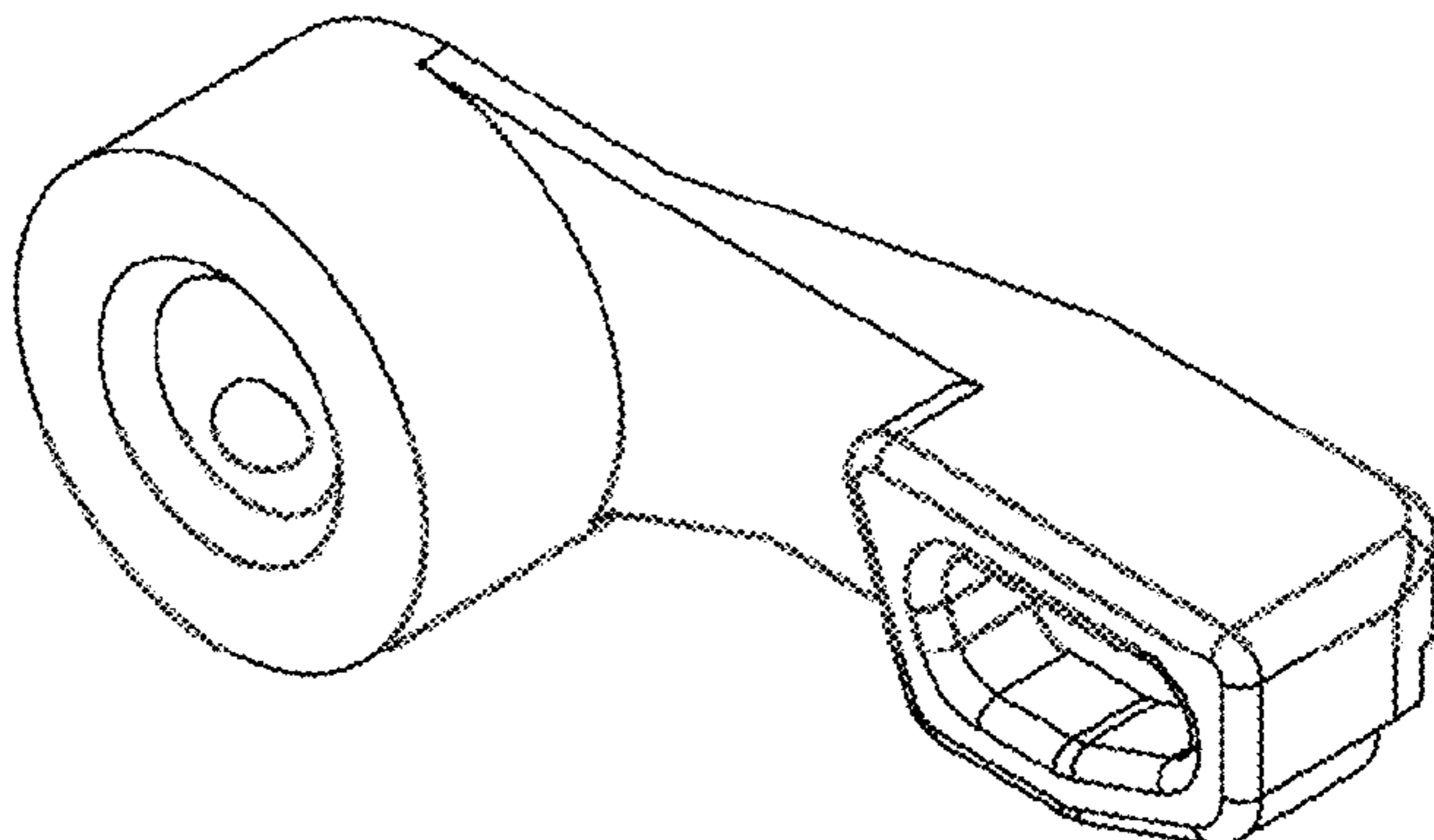
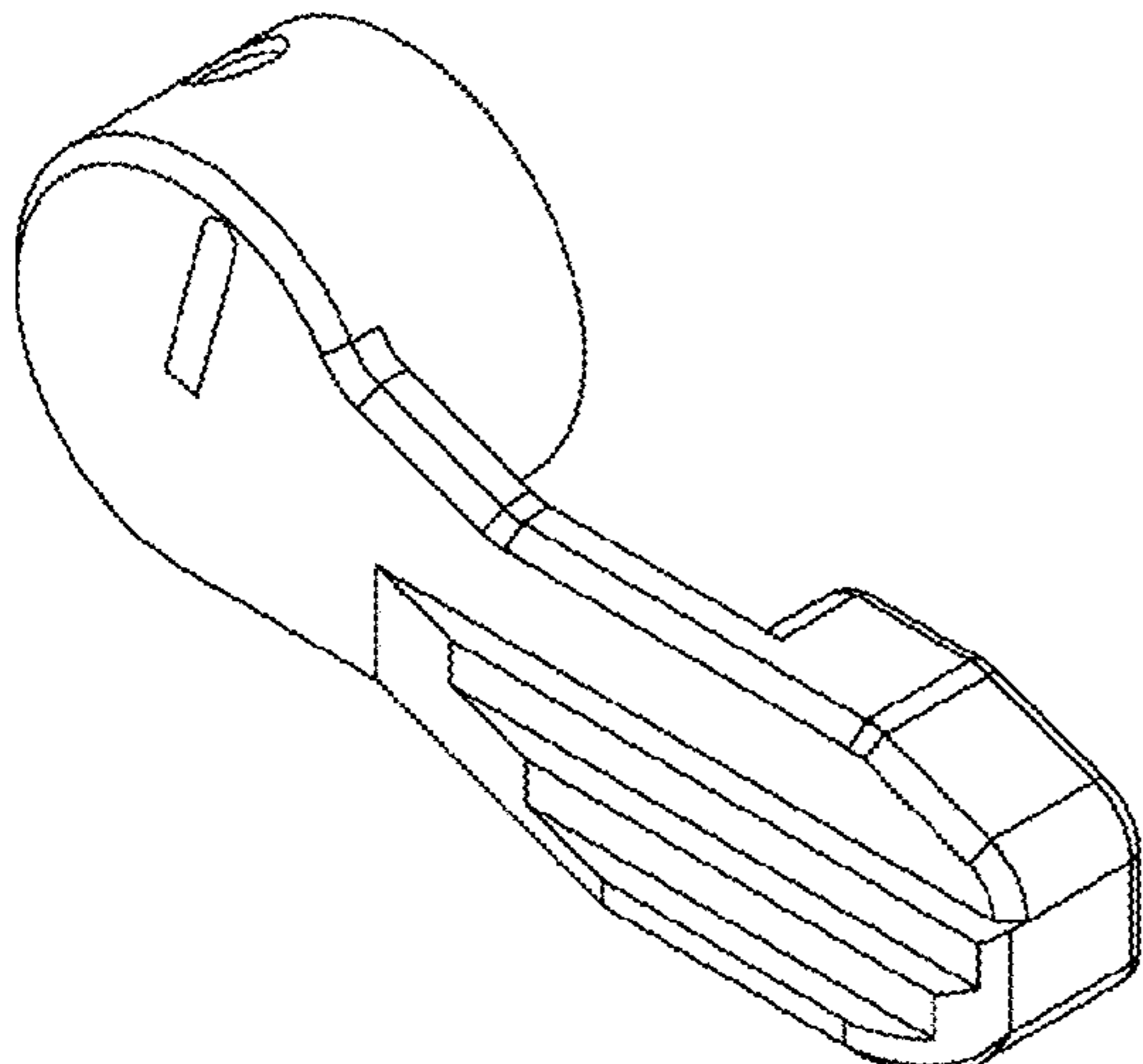
FIG. 9 is a left side perspective view thereof of an alternative version of the design without the cupped section in the end protrusion on one side;

FIG. 10 is a right side perspective view thereof of an alternative version of the design without the cupped section in the end protrusion on one side; and,

FIG. 11 is a left side elevational view thereof, shown attached to a firearm.

The firearm is shown in broken lines for illustrative purposes only and forms no part of the claimed design.

1 Claim, 6 Drawing Sheets



(56)

References Cited

U.S. PATENT DOCUMENTS

2017/0176122 A1* 6/2017 Underwood F41A 19/46

OTHER PUBLICATIONS

“Gun Review: CZ Scorpion EVO 3 S1 Pistol” [online]. Nick Leghorn. [Published on Feb. 2, 2015]. Retrieved from the Internet: <<https://www.thetruthaboutguns.com/gun-review-cz-scorpion-evo-3-pistol/>>.*

* cited by examiner

FIG. 1

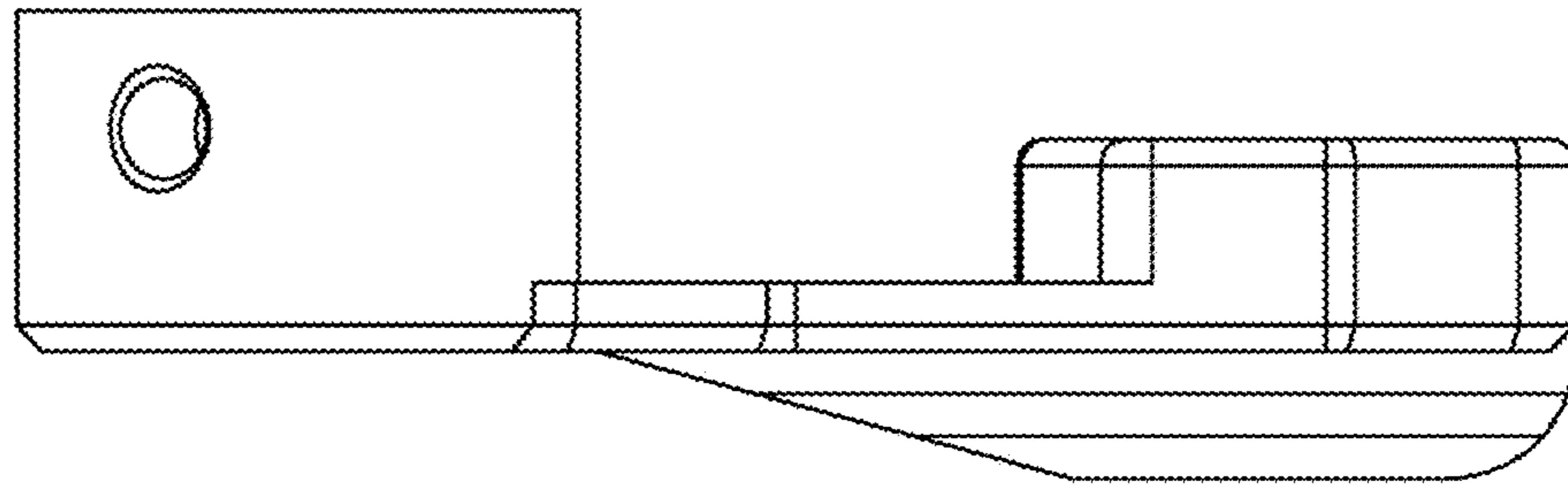


FIG. 2

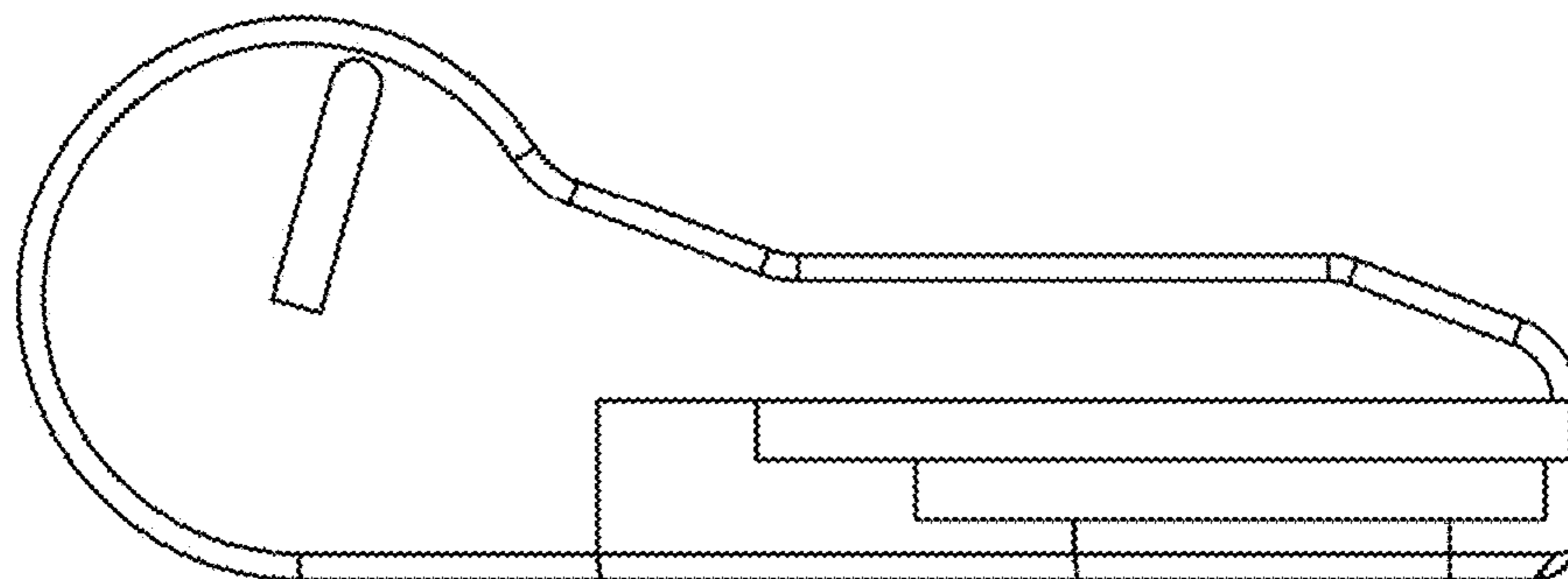


FIG. 3

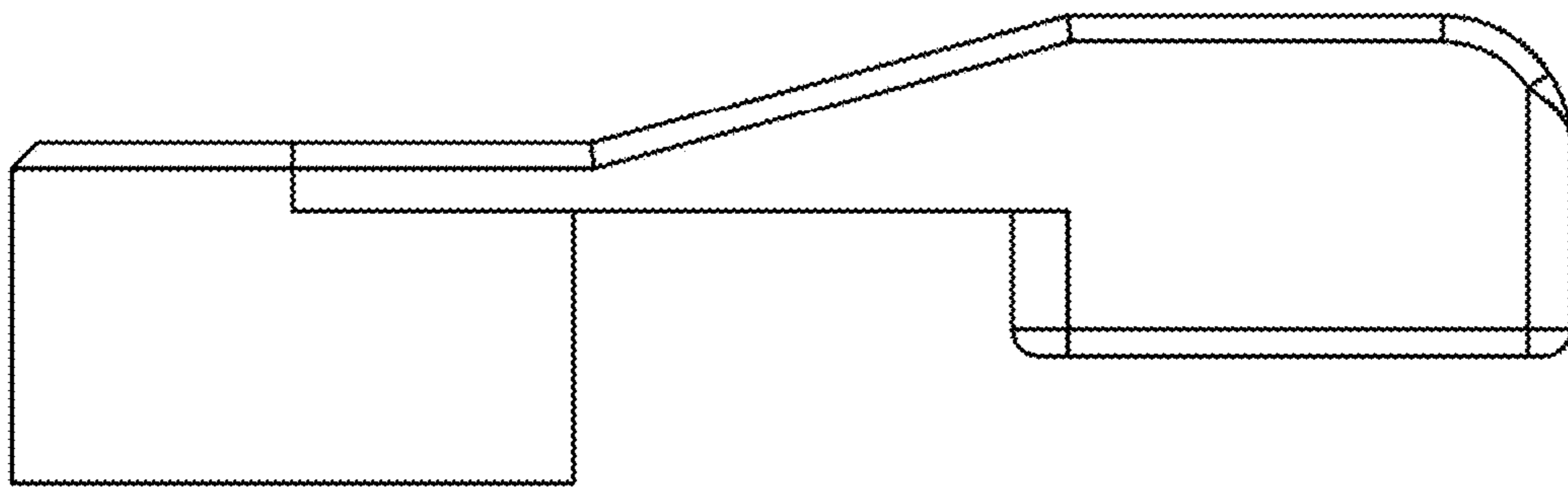


FIG. 4

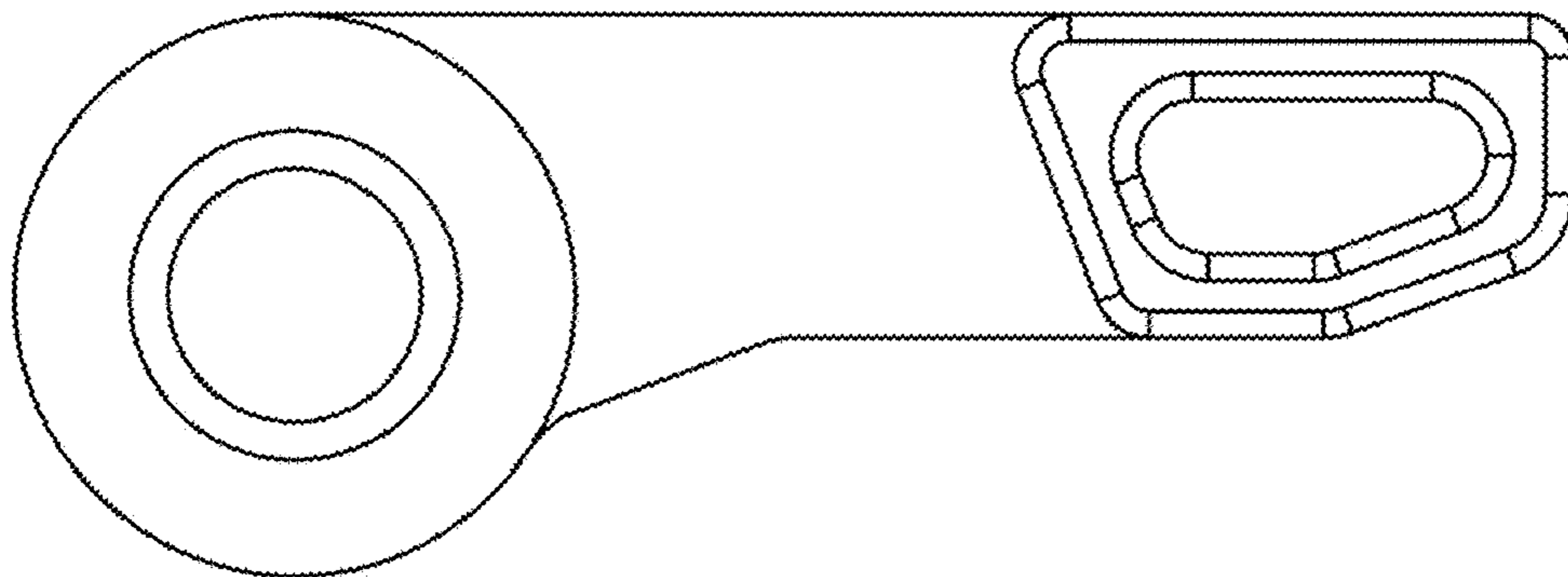


FIG. 5

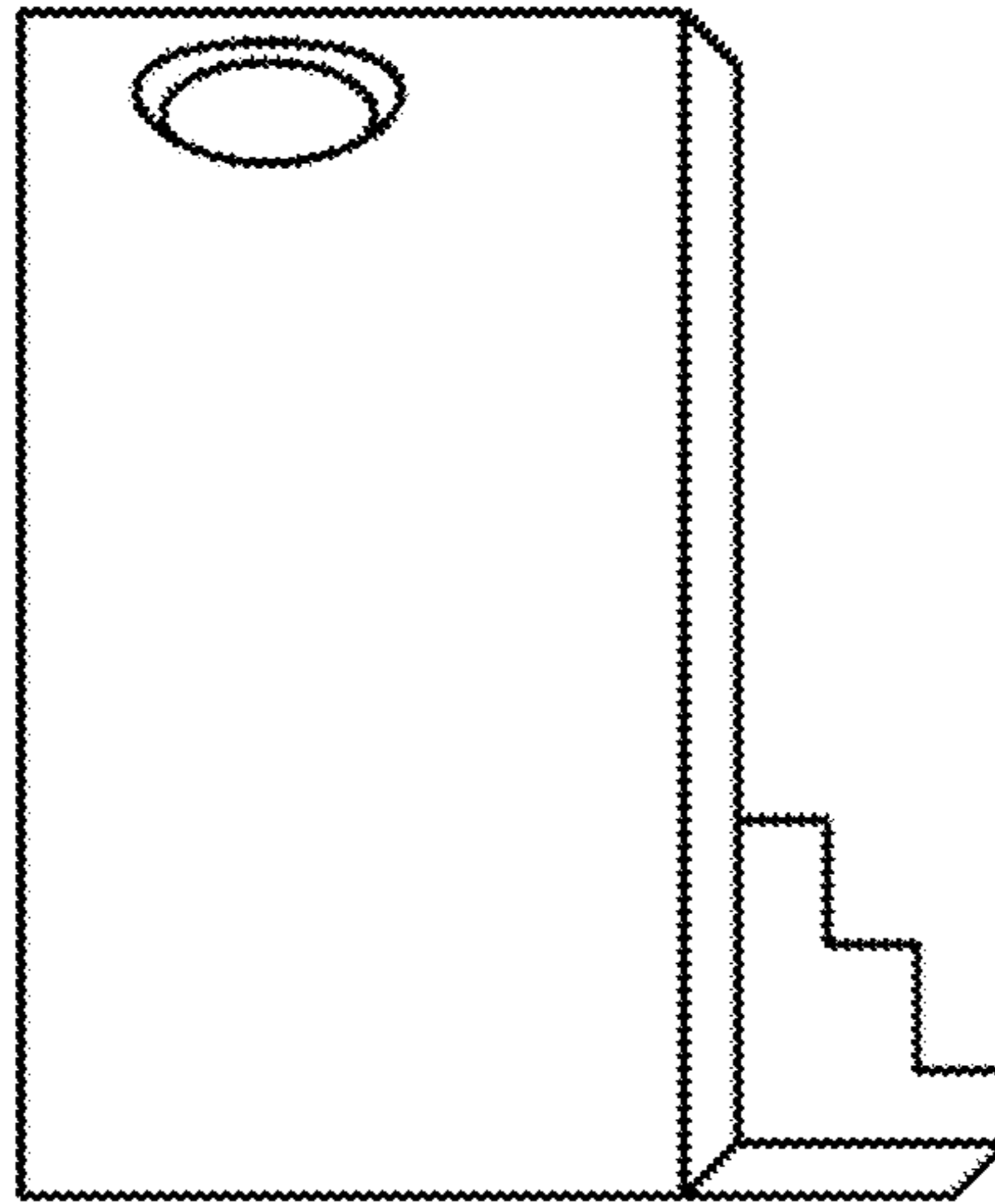


FIG. 6

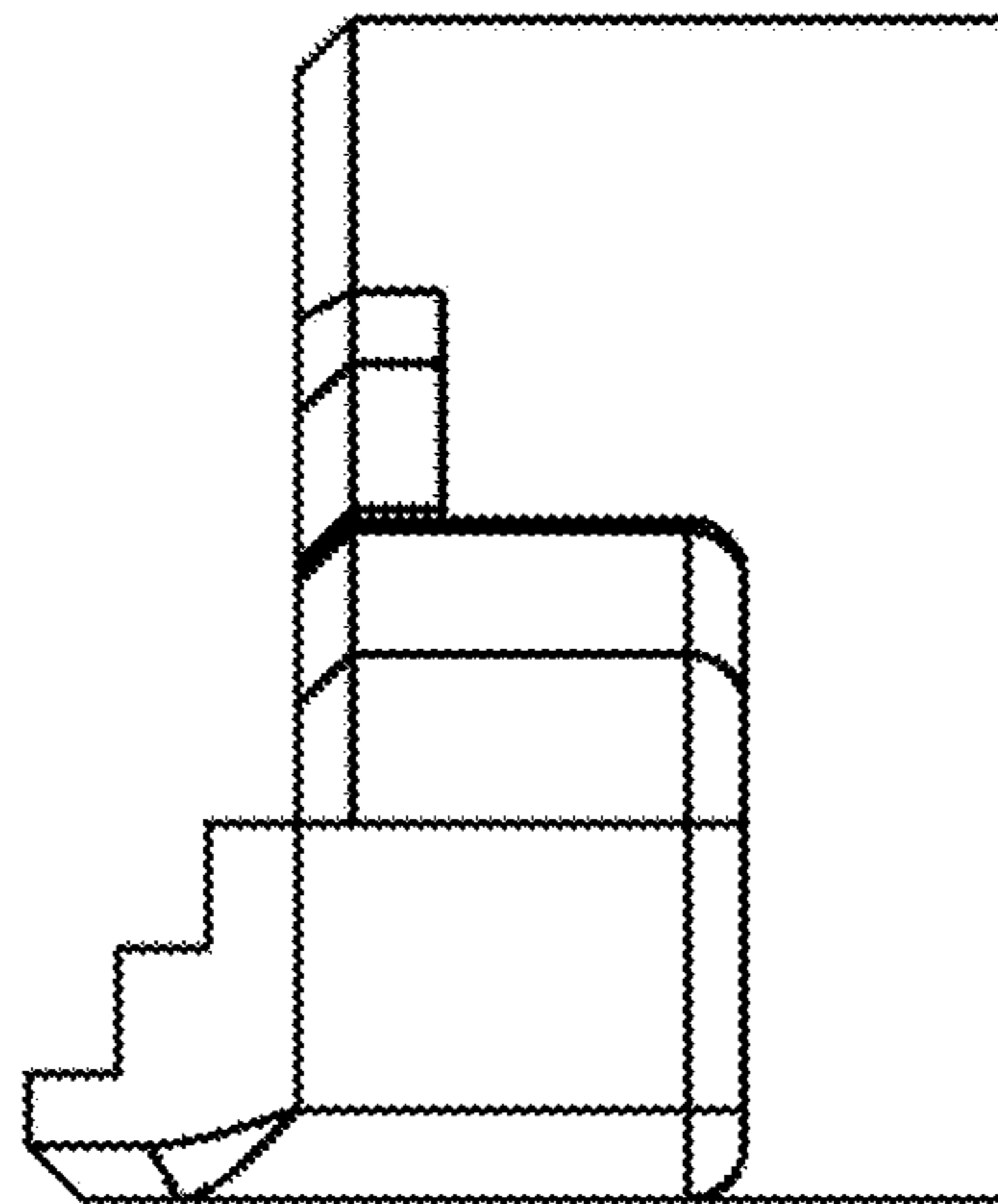


FIG. 7

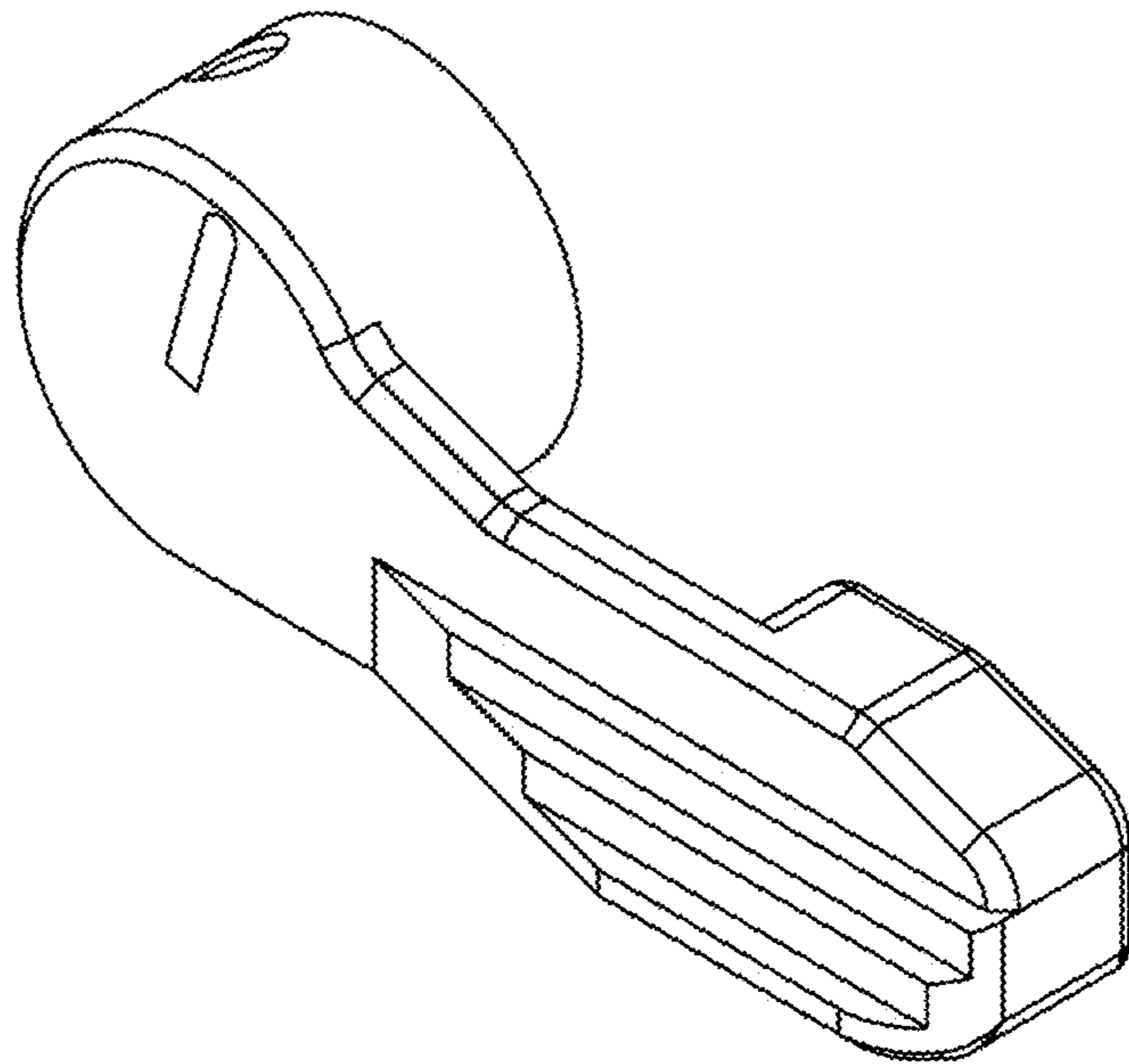


FIG. 8

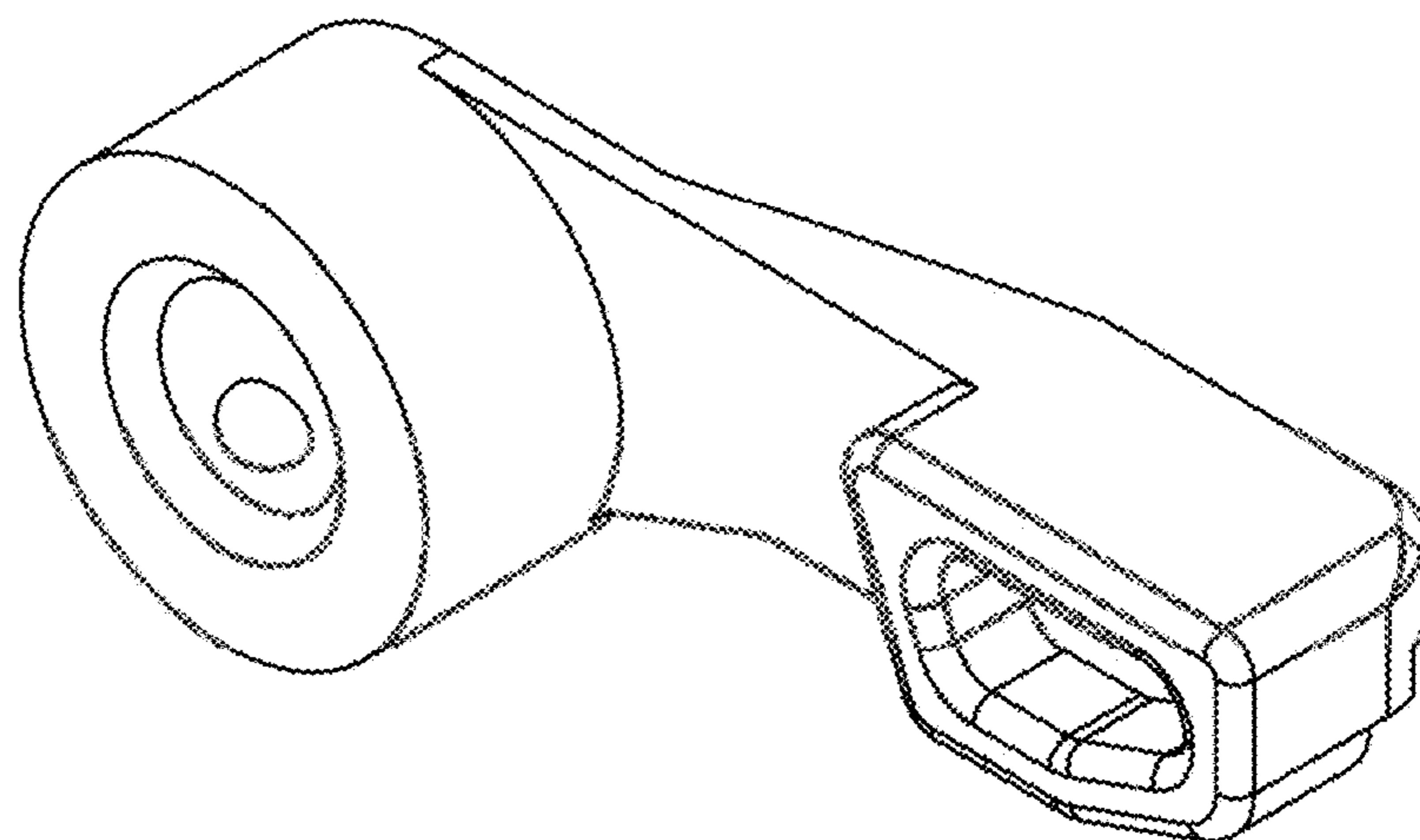


FIG. 9

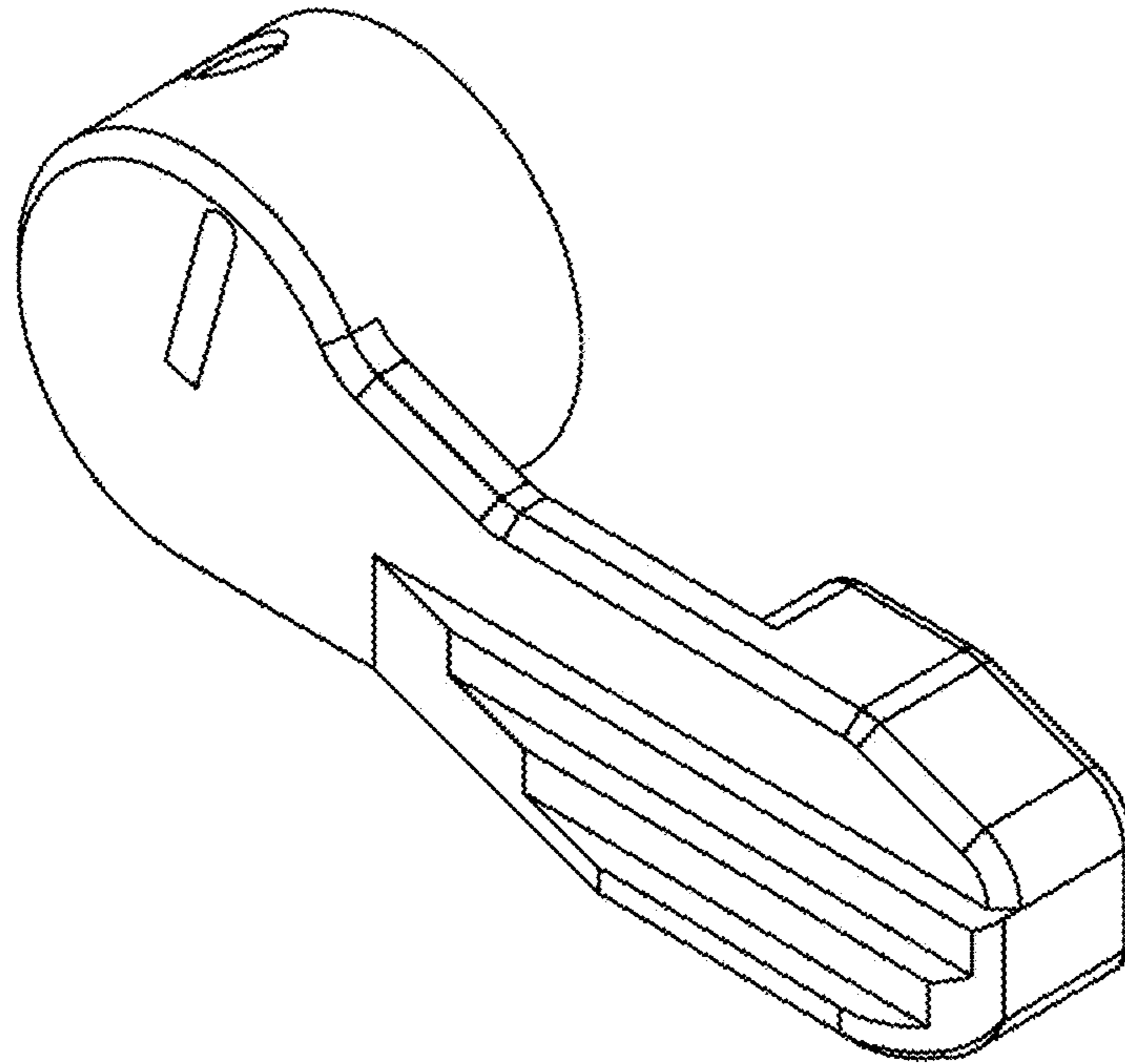


FIG. 10

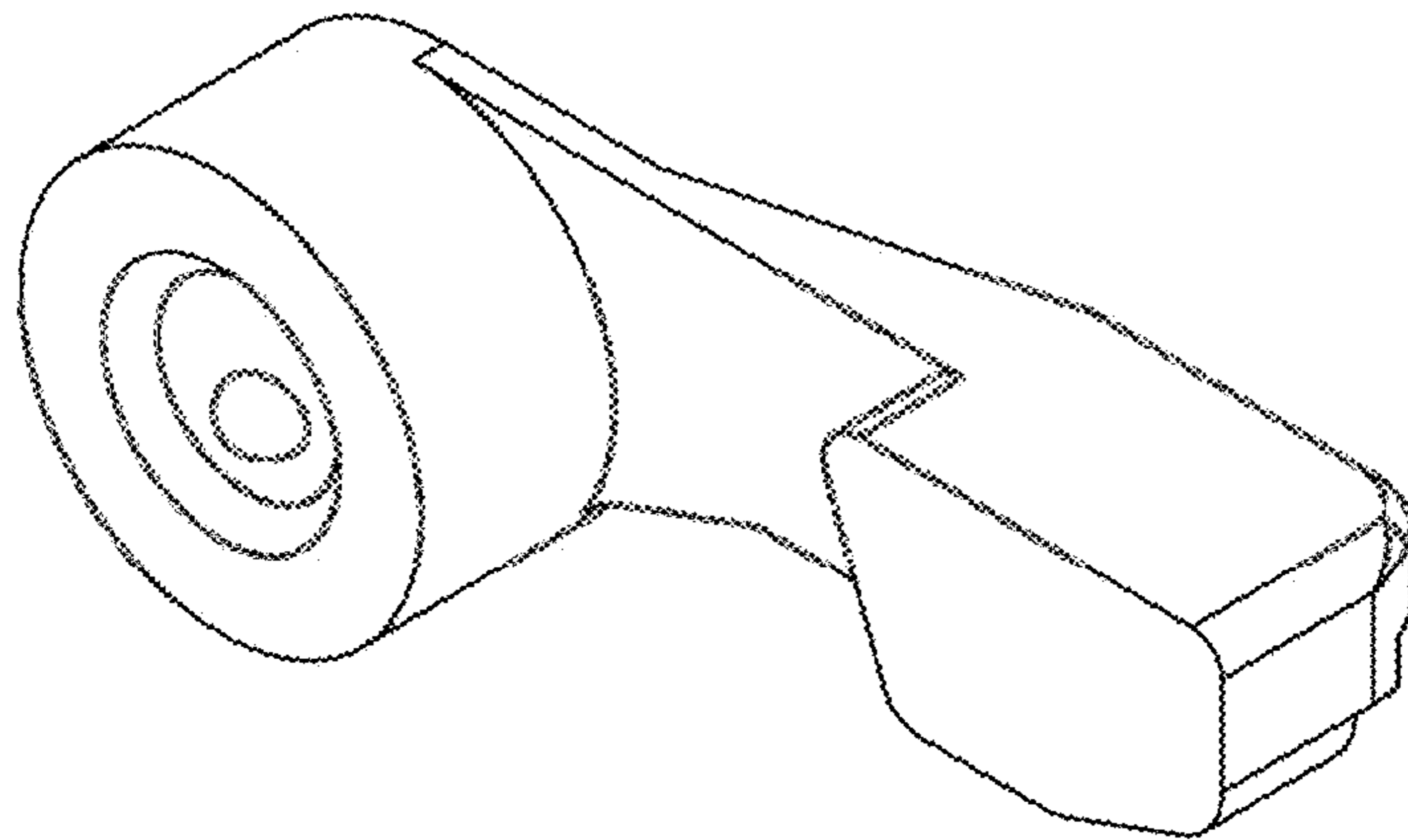


FIG. 11

