



US00D876575S

(12) **United States Design Patent**  
**Delgado Acarreta et al.**

(10) **Patent No.:** **US D876,575 S**  
(45) **Date of Patent:** **\*\* Feb. 25, 2020**

(54) **LOCKNUT FOR SUPPRESSOR OF SMALL AND LIGHT FIREARMS**

(71) Applicant: **RADE TECNOLOGÍAS, S.L.**,  
Saragossa (ES)

(72) Inventors: **Raúl Delgado Acarreta**, Saragossa (ES); **Raúl Delgado Chacón**, Saragossa (ES); **Jesús Agustín Gómez**, Saragossa (ES); **Diego Ibañez Martínez**, Saragossa (ES)

(73) Assignee: **RADE TECNOLOGIAS, S.L.**,  
Saragossa (ES)

(\*\*) Term: **15 Years**

(21) Appl. No.: **29/656,746**

(22) Filed: **Jul. 16, 2018**

(30) **Foreign Application Priority Data**

Jan. 22, 2018 (EM) ..... 4675502-0006

(51) **LOC (12) Cl.** ..... **22-01**

(52) **U.S. Cl.**  
USPC ..... **D22/108**

(58) **Field of Classification Search**  
USPC ..... D22/100, 101, 103, 104, 105, 108, 109,  
D22/110, 111, 199; D21/567, 573, 574,  
D21/575  
CPC ..... F41A 23/02; F41A 35/00; F41C 23/04;  
F41C 23/12; F41C 27/22  
See application file for complete search history.

(56) **References Cited**

**U.S. PATENT DOCUMENTS**

5,433,133 A \* 7/1995 La France ..... F41A 21/325  
89/14.2  
D600,772 S \* 9/2009 Swan ..... D22/108  
8,186,261 B2 \* 5/2012 McNeill ..... F41A 21/38  
181/223

8,272,306 B1 \* 9/2012 Smith ..... F41A 21/30  
181/223  
8,997,621 B1 \* 4/2015 Dater ..... F41A 21/325  
89/14.3  
D743,503 S \* 11/2015 Huff ..... D22/108  
9,261,319 B1 \* 2/2016 Palu ..... F41A 21/34

(Continued)

**OTHER PUBLICATIONS**

“Suppressor Accessories” [online]. libertycans.net. [Retrieved on Jun. 24, 2019]. Retrieved from the Internet: <https://libertycans.net/product-category/accessories/>.\*

*Primary Examiner* — Khawaja Anwar

*Assistant Examiner* — Mojtaba Tehrani

(74) *Attorney, Agent, or Firm* — Hayes Soloway PC

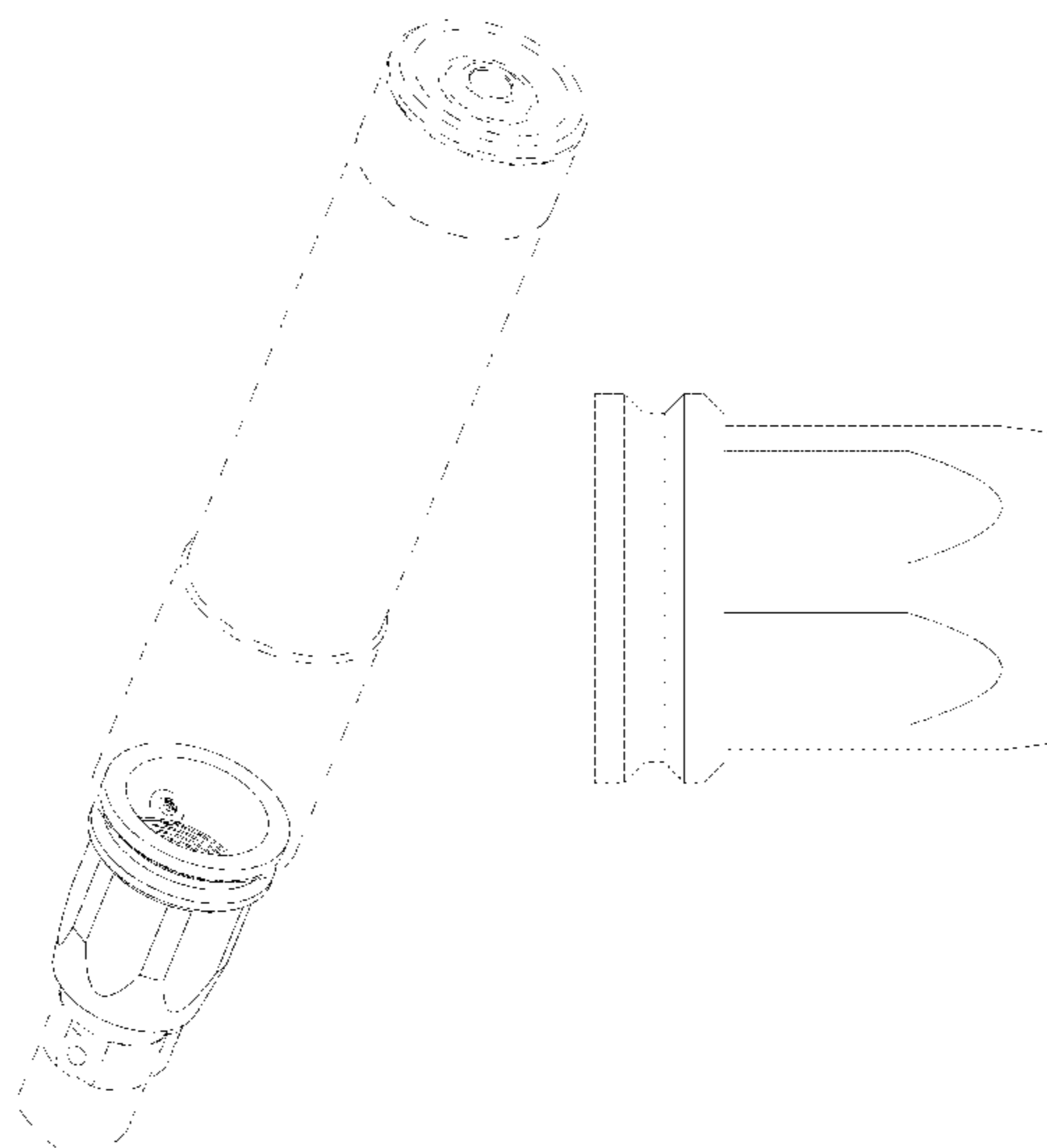
(57) **CLAIM**

We claim the ornamental design for a locknut for suppressor of small and light firearms, as shown and described.

**DESCRIPTION**

FIG. 1 is a perspective view of a locknut for suppressor of small and light firearms showing the new design;  
FIG. 2 is a top plan view of the locknut for suppressor of small and light firearms thereof;  
FIG. 3 is a bottom plan view of the locknut for suppressor of small and light firearms thereof;  
FIG. 4 is a front elevation view of the locknut for suppressor of small and light firearms thereof;  
FIG. 5 is a rear elevation view of the locknut for suppressor of small and light firearms thereof;  
FIG. 6 is a right side elevation view of the locknut for suppressor of small and light firearms thereof; and,  
FIG. 7 is a left side elevation view of the locknut for suppressor of small and light firearms thereof.  
The broken lines in the figures represent unclaimed portions of the locknut for suppressor of small and light firearms and form no part of the claimed design.

**1 Claim, 7 Drawing Sheets**



(56)

**References Cited**

U.S. PATENT DOCUMENTS

9,631,888	B2 *	4/2017	Young .....	F41A 21/325
10,024,618	B1 *	7/2018	Moore .....	F41A 21/36
D833,565	S *	11/2018	Roberts .....	D22/108
D834,679	S *	11/2018	Garcia, Jr. ....	D22/108
2003/0019352	A1 *	1/2003	Mika .....	F41A 21/36
				89/14.05
2011/0036233	A1 *	2/2011	Degroat .....	F41A 21/325
				89/14.4
2011/0252952	A1 *	10/2011	McNeill .....	F41A 21/38
				89/14.3

\* cited by examiner

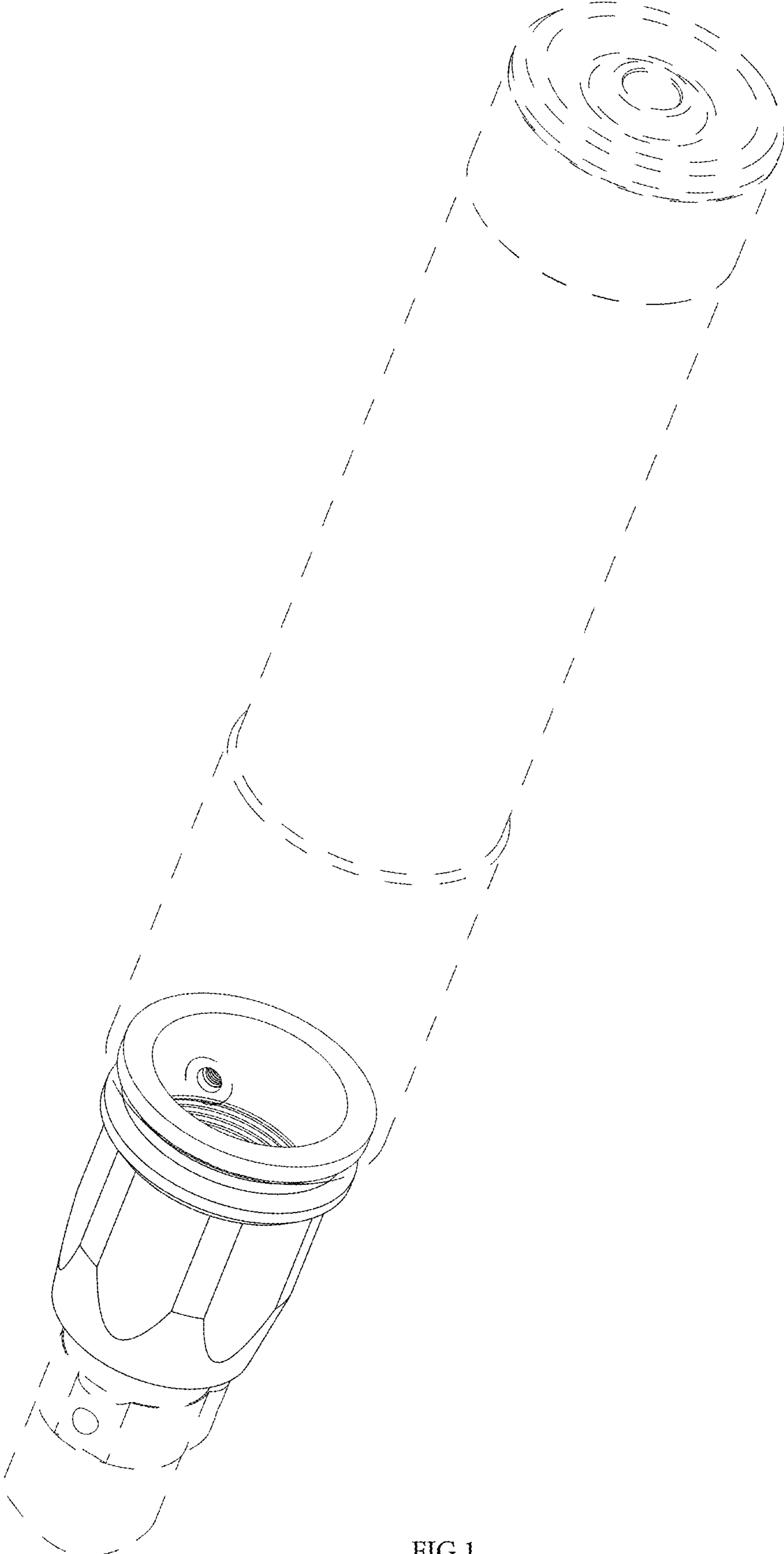


FIG 1

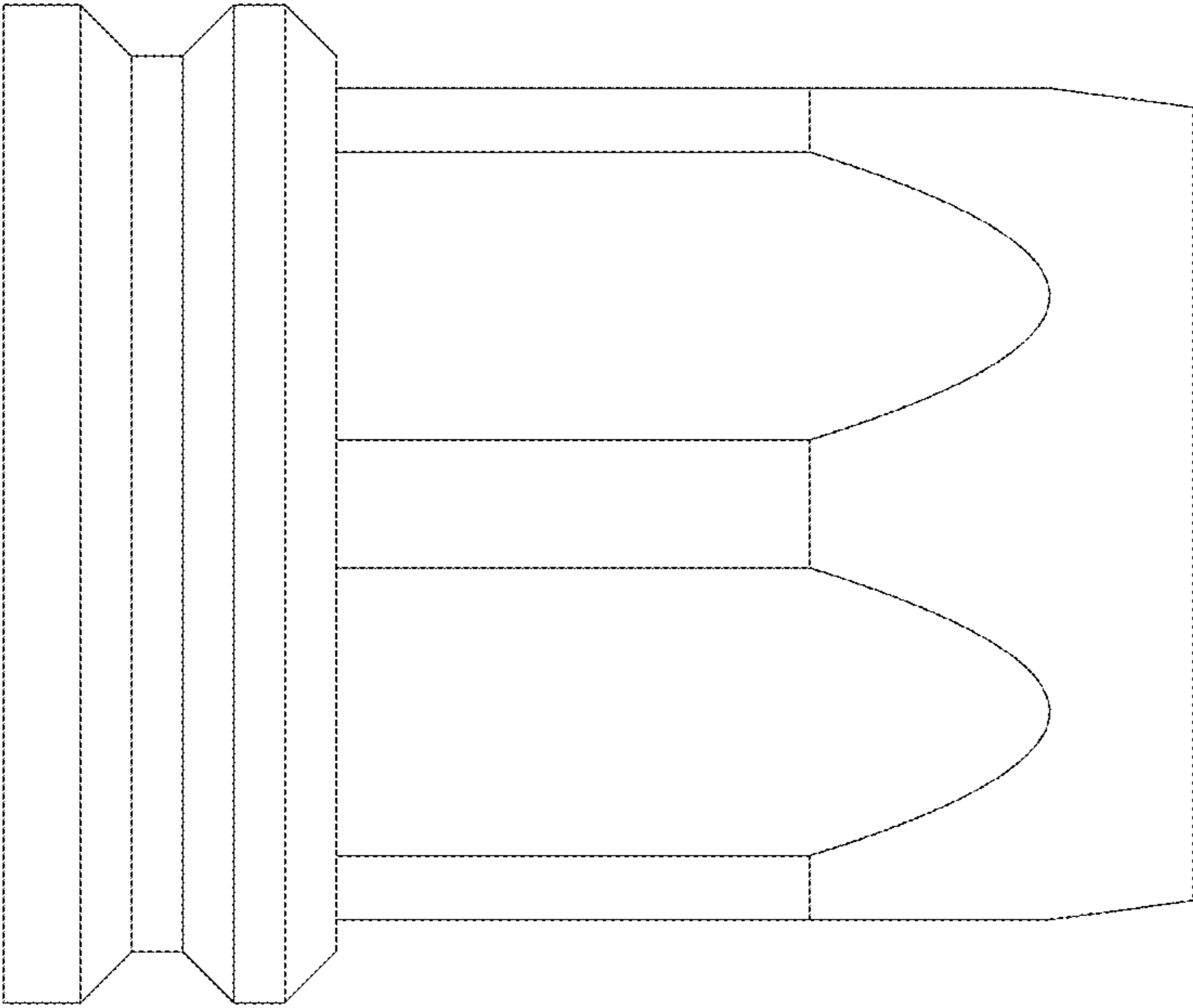


FIG. 2

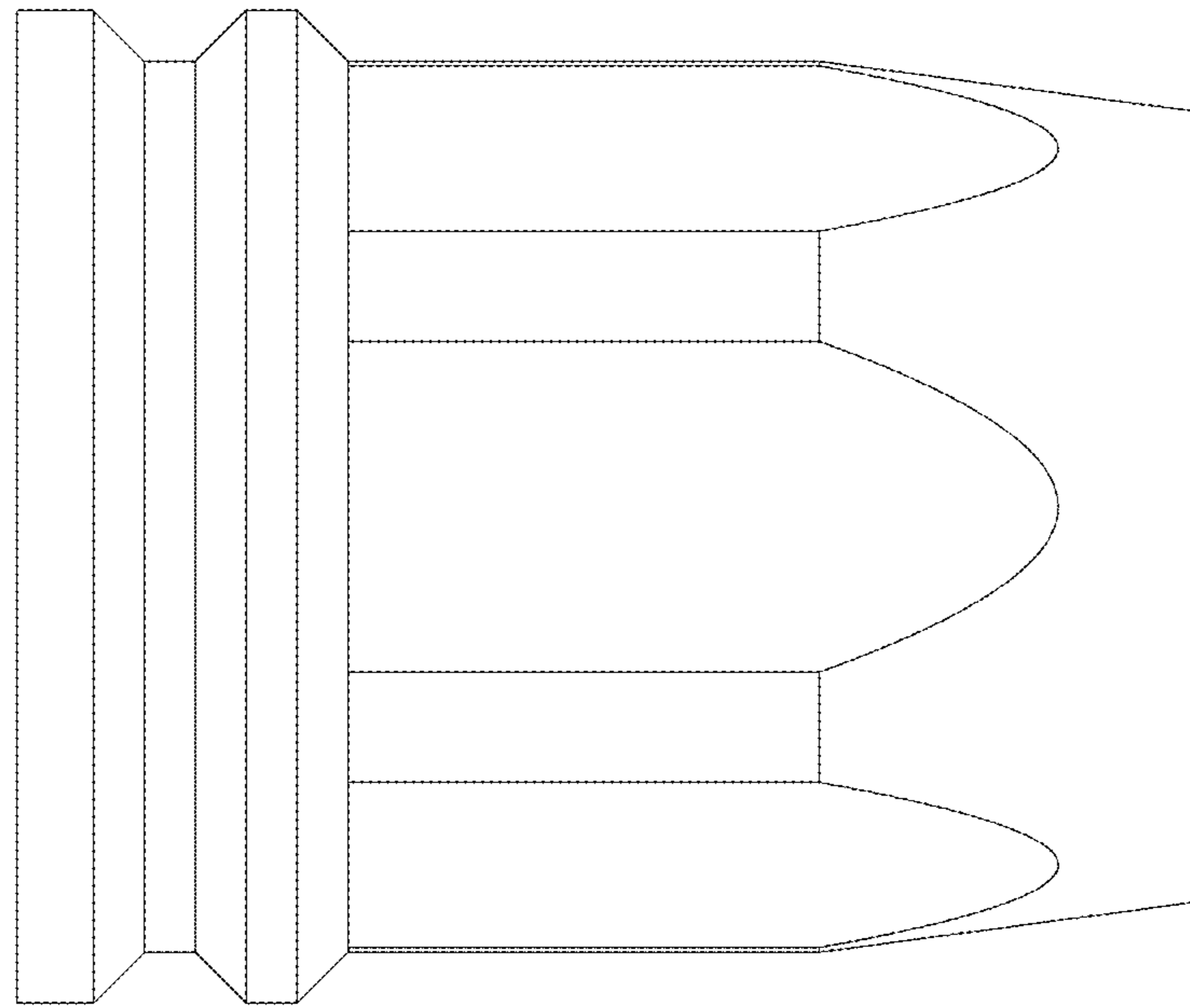


FIG. 3

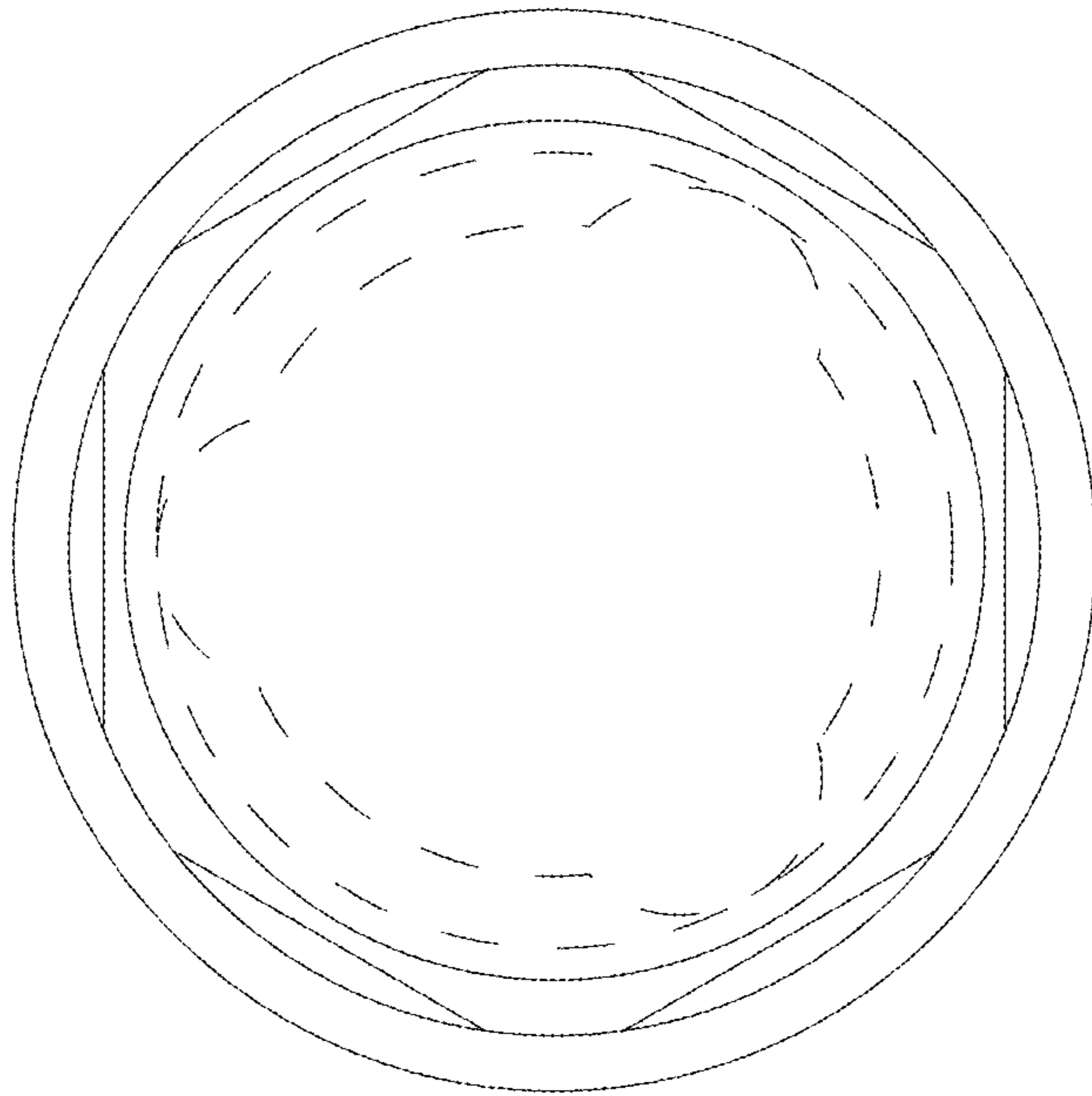


FIG. 4

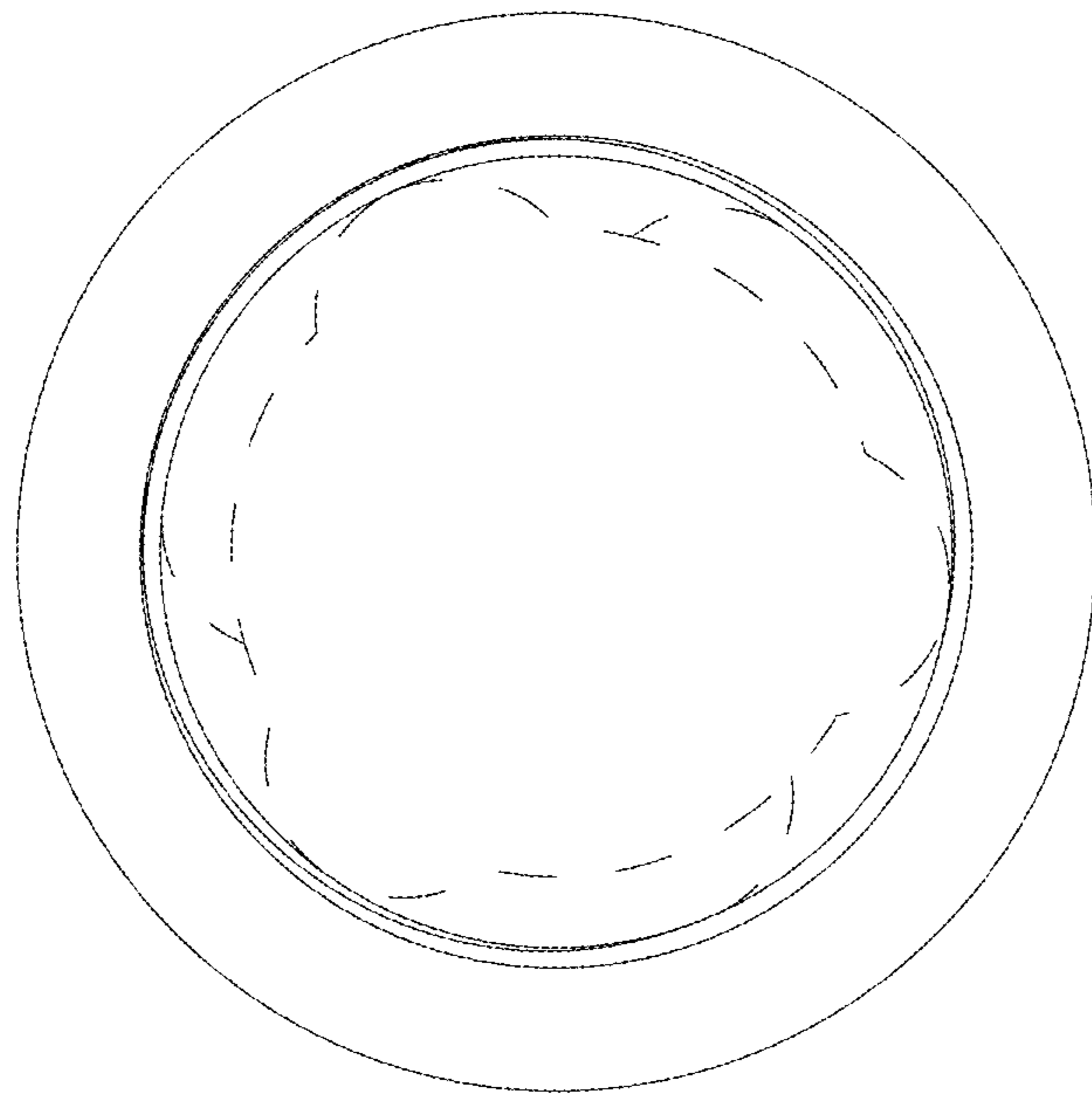


FIG. 5

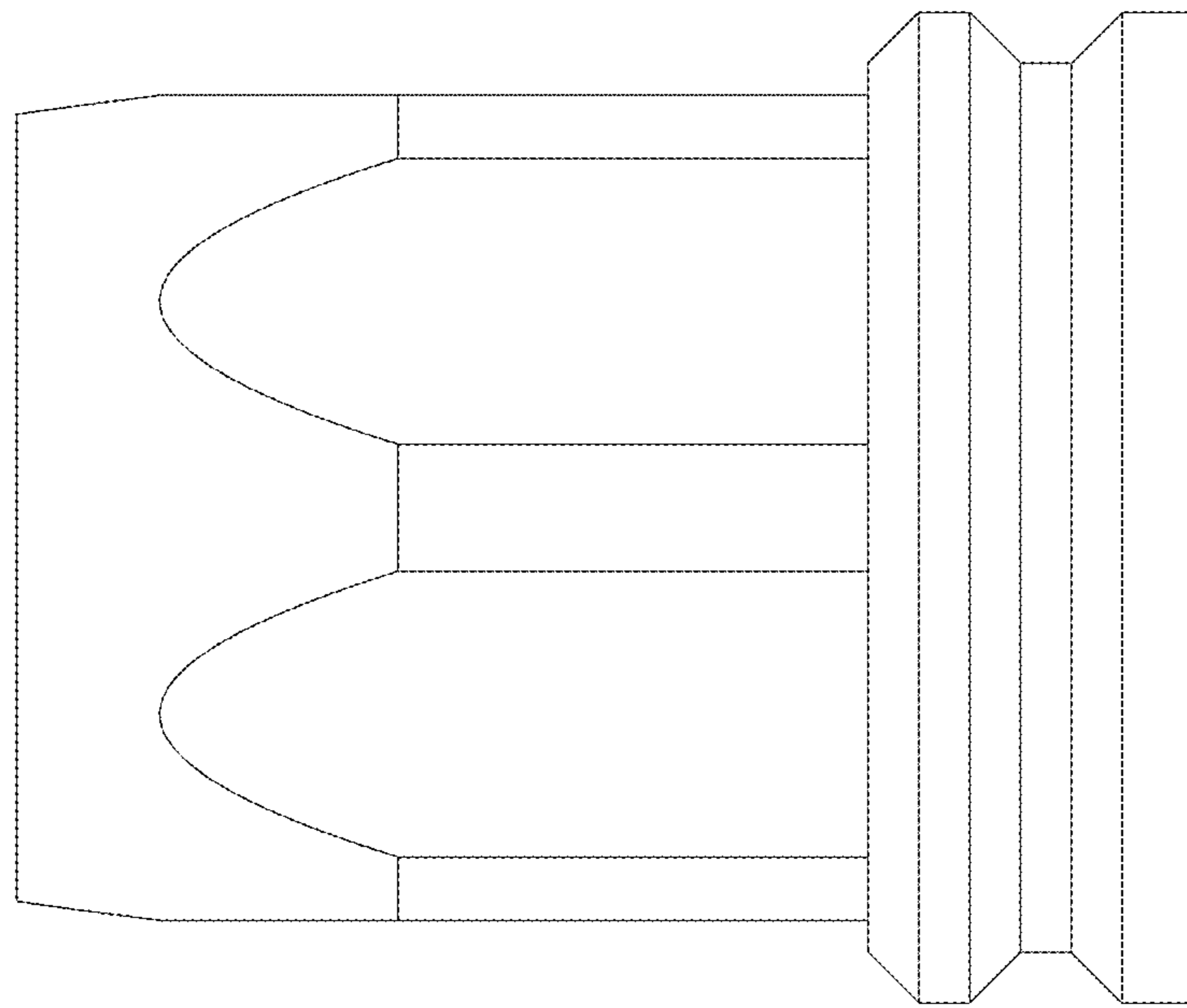


FIG. 6



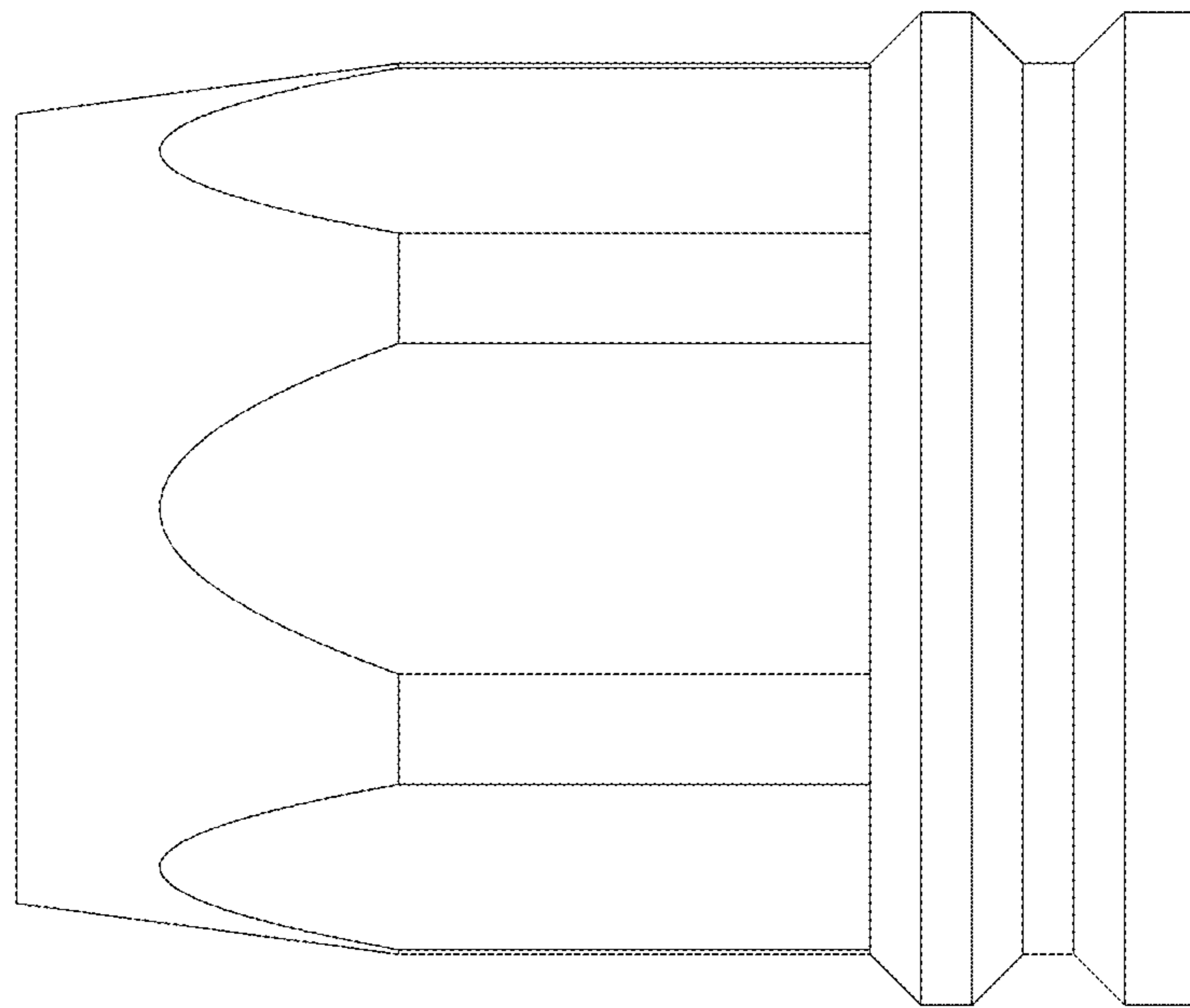


FIG. 7