



US00D876574S

(12) **United States Design Patent**
Delgado Acarreta et al.

(10) **Patent No.:** **US D876,574 S**
(45) **Date of Patent:** **** Feb. 25, 2020**

(54) **MUZZLE BRAKE FOR SMALL AND LIGHT FIREARMS**

(71) Applicant: **RADE TECNOLOGÍAS, S.L.**,
Saragossa (ES)

(72) Inventors: **Raúl Delgado Acarreta**, Saragossa (ES); **Raúl Delgado Chacón**, Saragossa (ES); **Jesús Agustín Gómez**, Saragossa (ES); **Diego Ibañez Martínez**, Saragossa (ES)

(73) Assignee: **RADE TECNOLOGÍAS, S.L.**,
Saragossa (ES)

(**) Term: **15 Years**

(21) Appl. No.: **29/656,742**

(22) Filed: **Jul. 16, 2018**

(30) **Foreign Application Priority Data**

Jan. 22, 2018 (EM) 4675502

(51) **LOC (12) Cl.** **22-01**

(52) **U.S. Cl.**
USPC **D22/108**

(58) **Field of Classification Search**
USPC D22/100, 101, 103, 104, 105, 108, 109,
D22/110, 111, 199; D21/567, 573, 574,
D21/575

CPC F41A 23/02; F41A 35/00; F41C 23/04;
F41C 23/12; F41C 27/22

See application file for complete search history.

(56) **References Cited**

U.S. PATENT DOCUMENTS

3,187,633 A * 6/1965 Tanabe F41A 21/36
89/14.3
5,433,133 A * 7/1995 La France F41A 21/325
89/14.2

D600,772 S * 9/2009 Swan D22/108
D687,119 S * 7/2013 Dueck D22/108
D738,982 S * 9/2015 Silvers D22/108
D743,503 S * 11/2015 Huff D22/108
D754,275 S * 4/2016 Geissele D22/108

(Continued)

OTHER PUBLICATIONS

“How to Install & Uninstall 3-Lug Attachments for HK Rifles”
[online]. HKParts. [Published on Feb. 19, 2017]. Retrieved from the
Internet: <https://www.youtube.com/watch?v=KZONVj9TZOg>.*

(Continued)

Primary Examiner — Khawaja Anwar

Assistant Examiner — Mojtaba Tehrani

(74) *Attorney, Agent, or Firm* — Hayes Soloway PC

(57) **CLAIM**

We claim the ornamental design for a muzzle brake for small and light firearms, as shown and described.

DESCRIPTION

FIG. 1 is a perspective view of a muzzle brake for small and light firearms showing the new design;

FIG. 2 is a top plan view of the muzzle brake for small and light firearms thereof;

FIG. 3 is a bottom plan view of the muzzle brake for small and light firearms thereof;

FIG. 4 is a front elevation view of the muzzle brake for small and light firearms thereof;

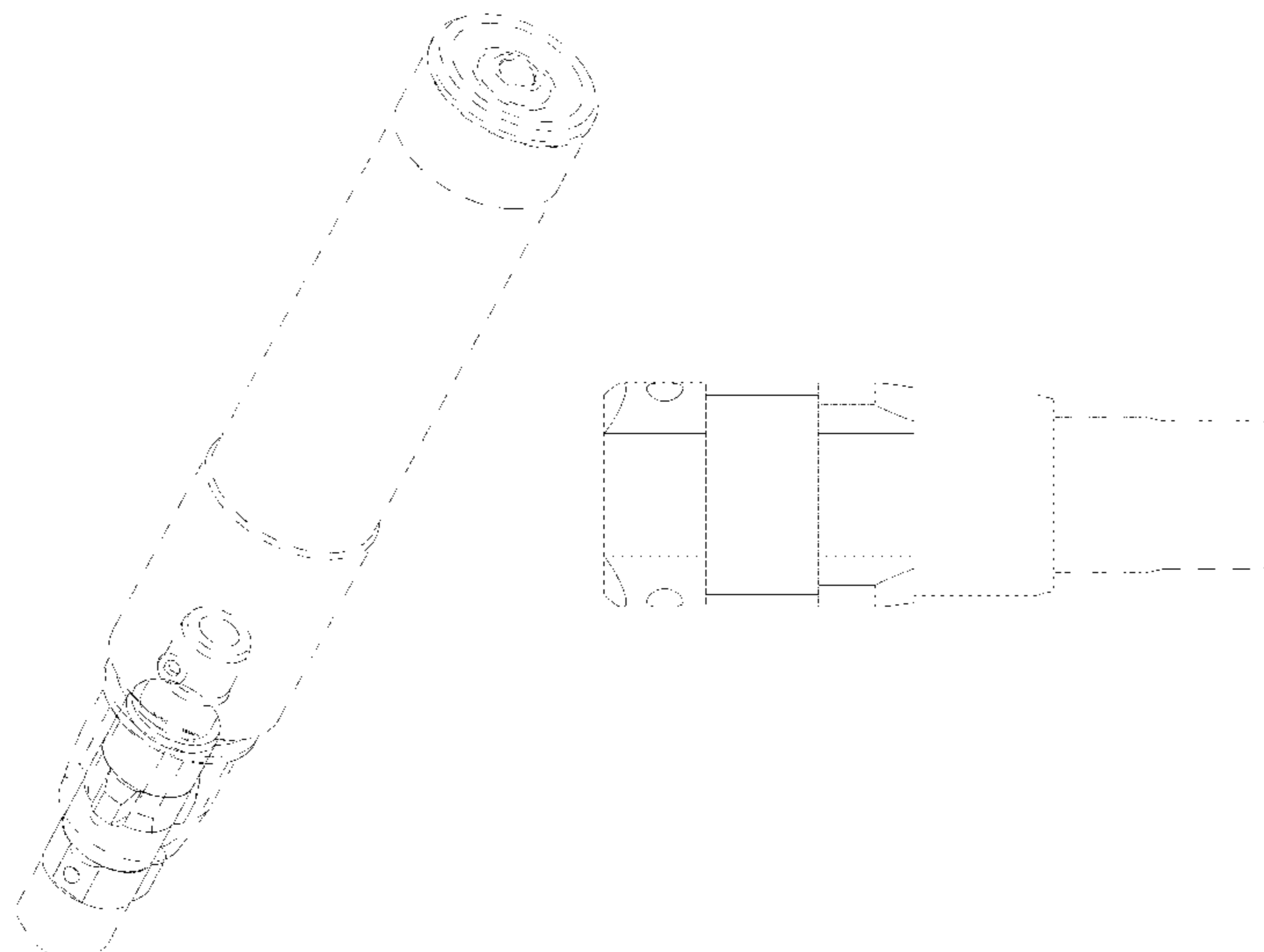
FIG. 5 is a rear elevation view of the muzzle brake for small and light firearms thereof;

FIG. 6 is a right side elevation view of the muzzle brake for small and light firearms thereof; and,

FIG. 7 is a left side elevation view of the muzzle brake for small and light firearms thereof.

The broken lines in the figures represent unclaimed portions of the muzzle brake for small and light firearms and form no part of the claimed design.

1 Claim, 7 Drawing Sheets



(56)

References Cited

U.S. PATENT DOCUMENTS

D759,188 S * 6/2016 Geissele D22/108
10,024,618 B1 * 7/2018 Moore F41A 21/36
D833,565 S * 11/2018 Roberts D22/108
D837,924 S * 1/2019 Kunau D22/108
2008/0083321 A1 * 4/2008 Dueck F41A 21/36
89/14.3
2010/0282056 A1 * 11/2010 Hung F41A 21/34
89/14.2

OTHER PUBLICATIONS

“Griffin 3-Lug Muzzle Devices” [online]. silencershop.com. [Retrieved on Jun. 24, 2019]. Retrieved from the Internet: <https://www.silencershop.com/griffin-3-lug-muzzle-devices.html>. *

* cited by examiner

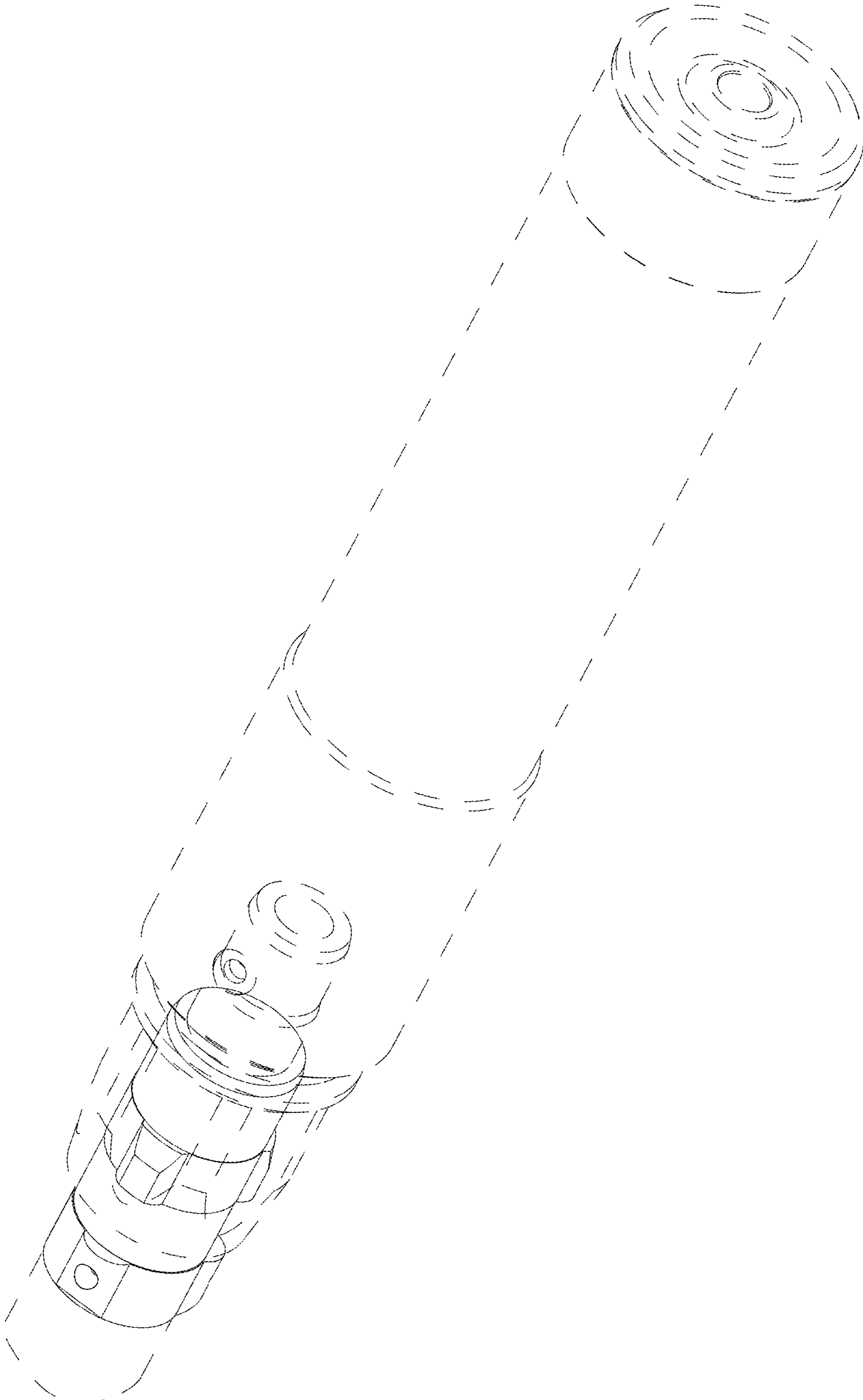


FIG. 1

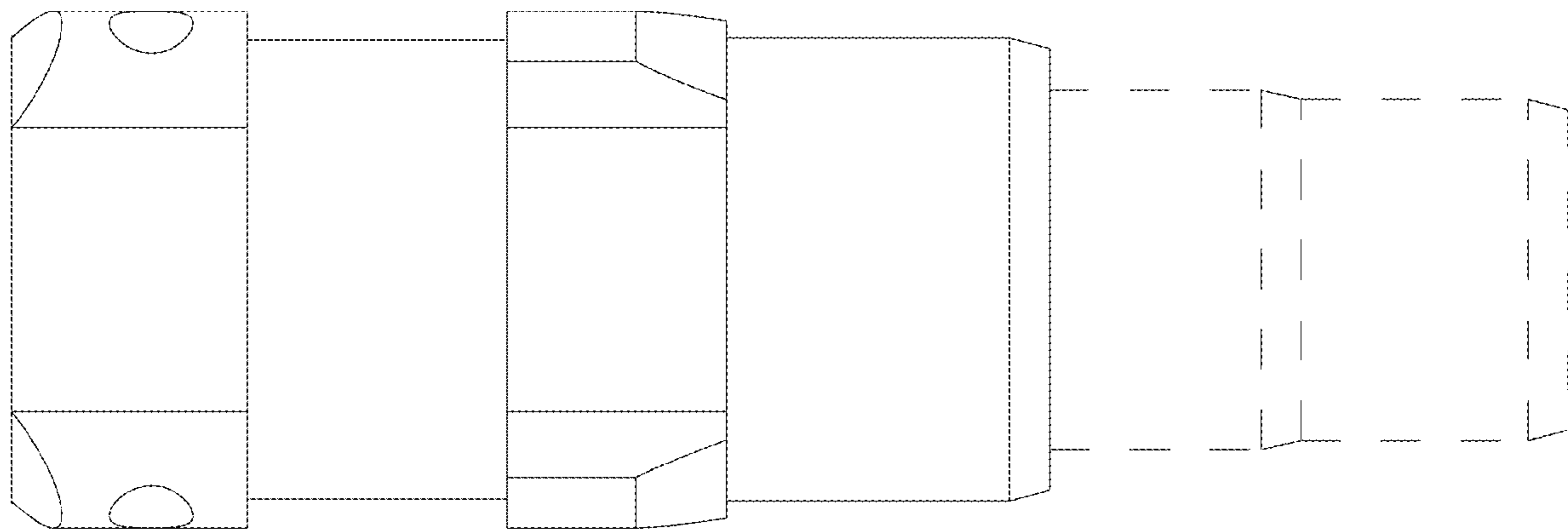


FIG. 2

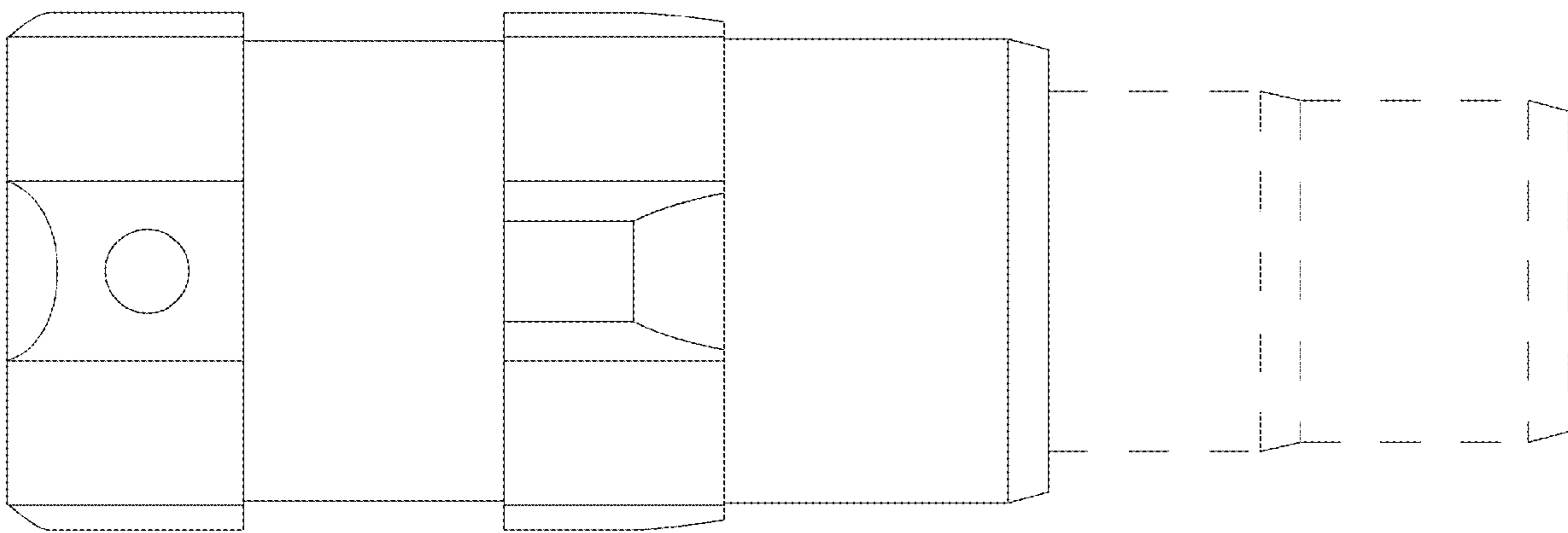


FIG. 3

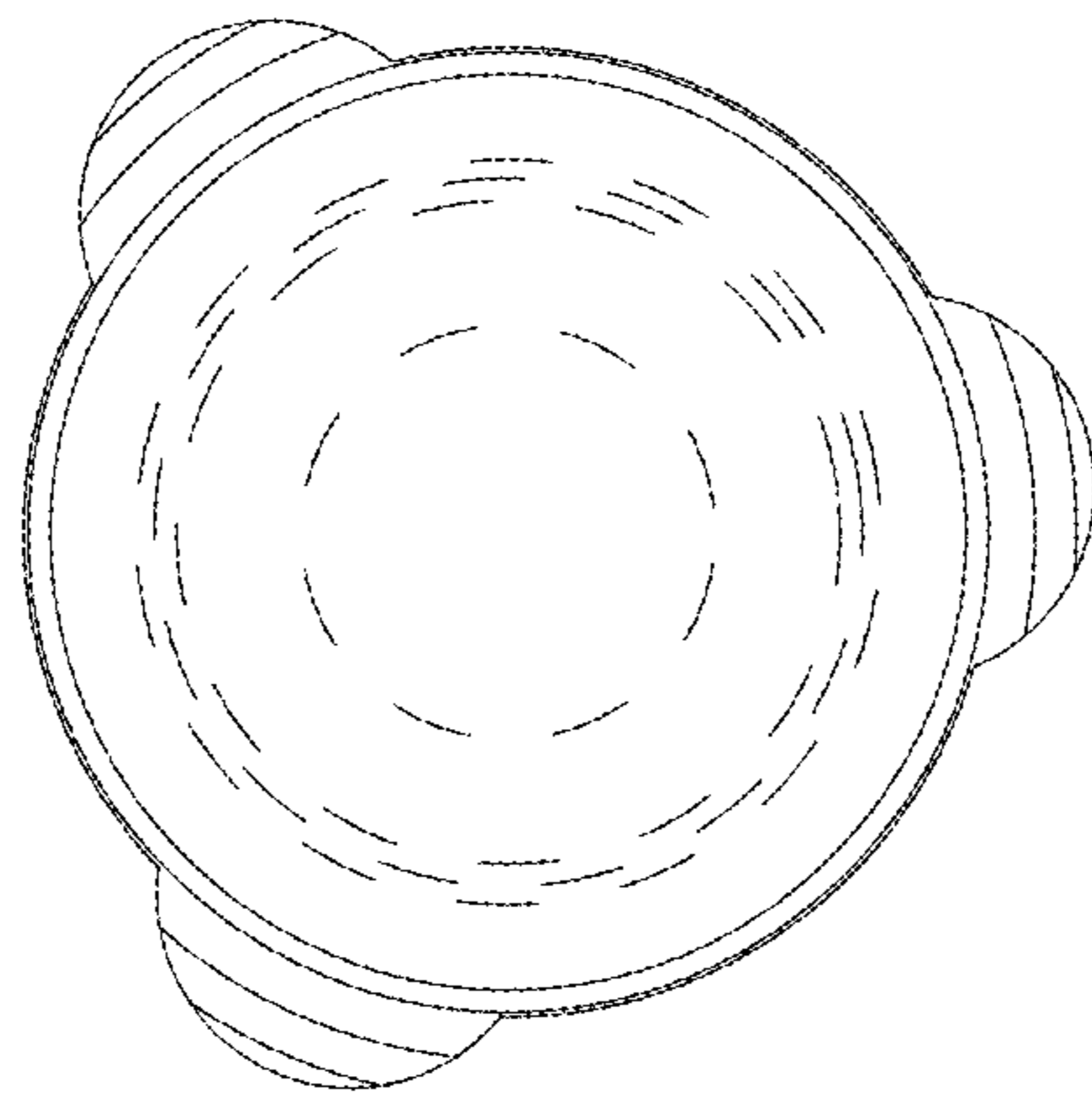


FIG. 4

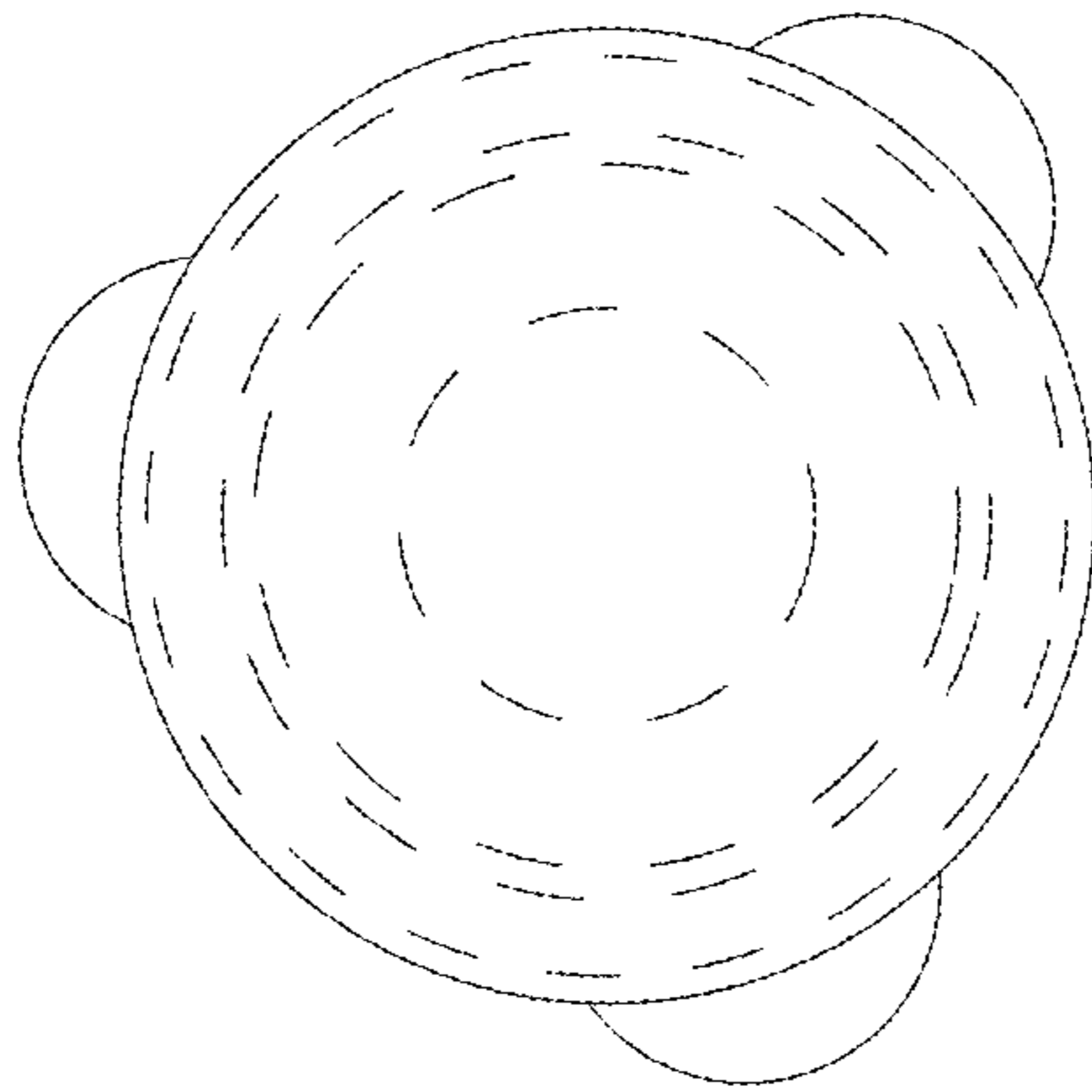


FIG. 5

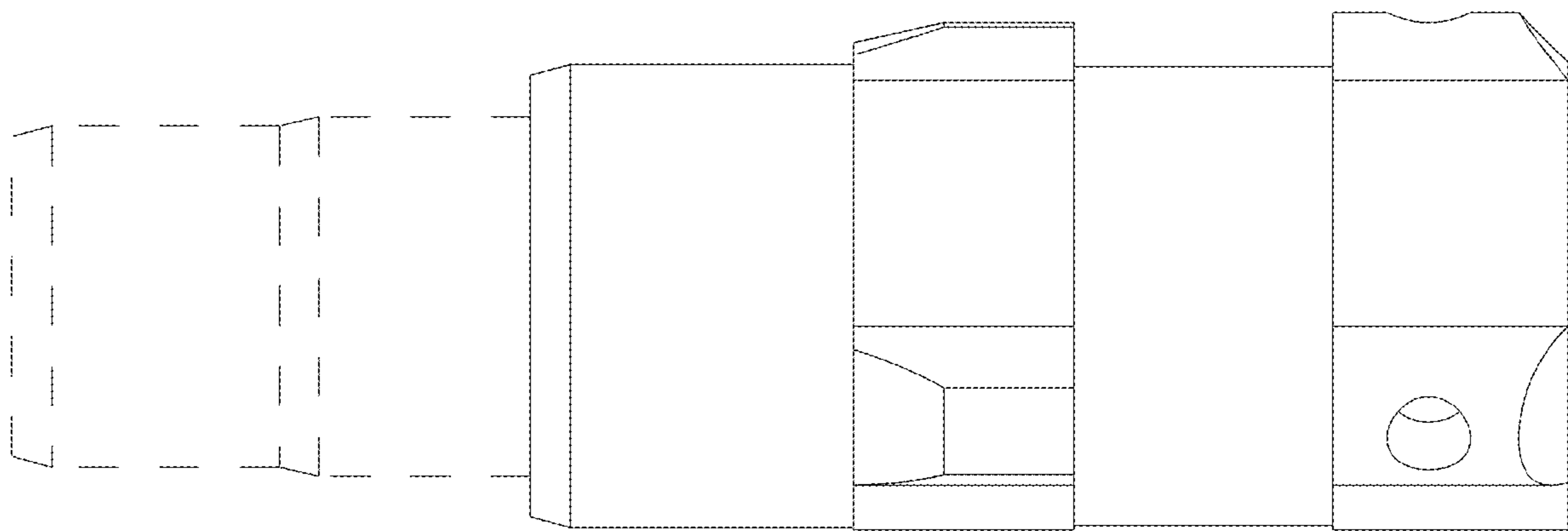


FIG. 6

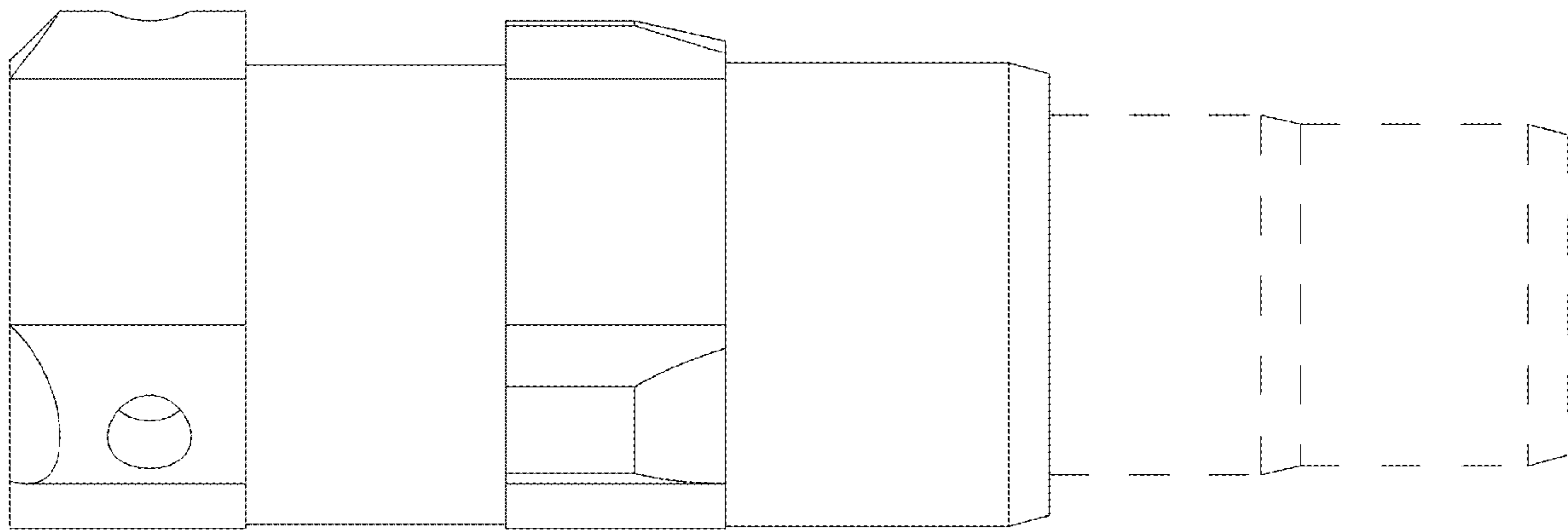


FIG. 7