



US00D876573S

(12) **United States Design Patent**  
**Taylor et al.**

(10) **Patent No.:** **US D876,573 S**  
(45) **Date of Patent:** **\*\* Feb. 25, 2020**

(54) **FIREARM LIGHT WEIGHT BILLET STOCK**

(71) Applicants: **Chris Taylor**, San Diego, CA (US);  
**Steve Grangetto**, San Diego, CA (US);  
**Adam Lane**, San Diego, CA (US)

(72) Inventors: **Chris Taylor**, San Diego, CA (US);  
**Steve Grangetto**, San Diego, CA (US);  
**Adam Lane**, San Diego, CA (US)

(73) Assignee: **5th Axis Inc.**, San Diego, CA (US)

(\*\*) Term: **15 Years**

(21) Appl. No.: **29/655,034**

(22) Filed: **Jun. 29, 2018**

**Related U.S. Application Data**

(62) Division of application No. 29/596,432, filed on Mar. 8, 2017, now Pat. No. Des. 852,919.

(51) **LOC (12) Cl.** ..... **22-01**

(52) **U.S. Cl.**  
USPC ..... **D22/108**

(58) **Field of Classification Search**  
USPC ..... D22/100, 103, 104, 105, 108-109;  
D21/572-575, 401, 461, 567, 568;  
124/16, 26, 27, 28, 29, 54, 73-77;  
222/78, 79; 42/54, 57, 58, 71.01, 72, 73,  
42/74, 75.03, 90; 446/23, 182, 192, 401,  
446/403, 405-407, 473, 475  
CPC ..... F41A 21/30; F41A 21/325; F41C 23/02;  
F41C 23/04; F41C 23/06; F41C 23/08;  
F41C 23/10; F41C 23/12; F41C 23/14;  
F41C 23/16; F41C 23/18; F41C 23/20;  
(Continued)

(56) **References Cited**

**U.S. PATENT DOCUMENTS**

D600,308 S \* 9/2009 Fitzpatrick ..... F41C 23/04  
D22/109  
7,762,018 B1 \* 7/2010 Fitzpatrick ..... F41A 11/02  
42/73

(Continued)

**OTHER PUBLICATIONS**

Viper MOD-1 Stock, StrikeIndustries.com, [online], [site visited Aug. 6, 2019]. <URL: <https://www.strikeindustries.com/shop/products/ar/ar-stock/viper-mod-1-stock.html>> (Year: 2019).\*

(Continued)

*Primary Examiner* — T Chase Nelson

*Assistant Examiner* — Jonathan J. Han

(74) *Attorney, Agent, or Firm* — Mark Wisnosky

(57) **CLAIM**

The ornamental design for a firearm light weight billet stock, as shown and described.

**DESCRIPTION**

FIG. 1 is a perspective view of a firearm light weight billet stock showing the firearm light weight billet stock attached to a firearm. The firearm, shown in dashed lines, is not claimed.

FIG. 2 is a front view of the firearm light weight billet stock of FIG. 1.

FIG. 3 is a back view of the firearm light weight billet stock of FIG. 1.

FIG. 4 is a right side view of the firearm light weight billet stock of FIG. 1.

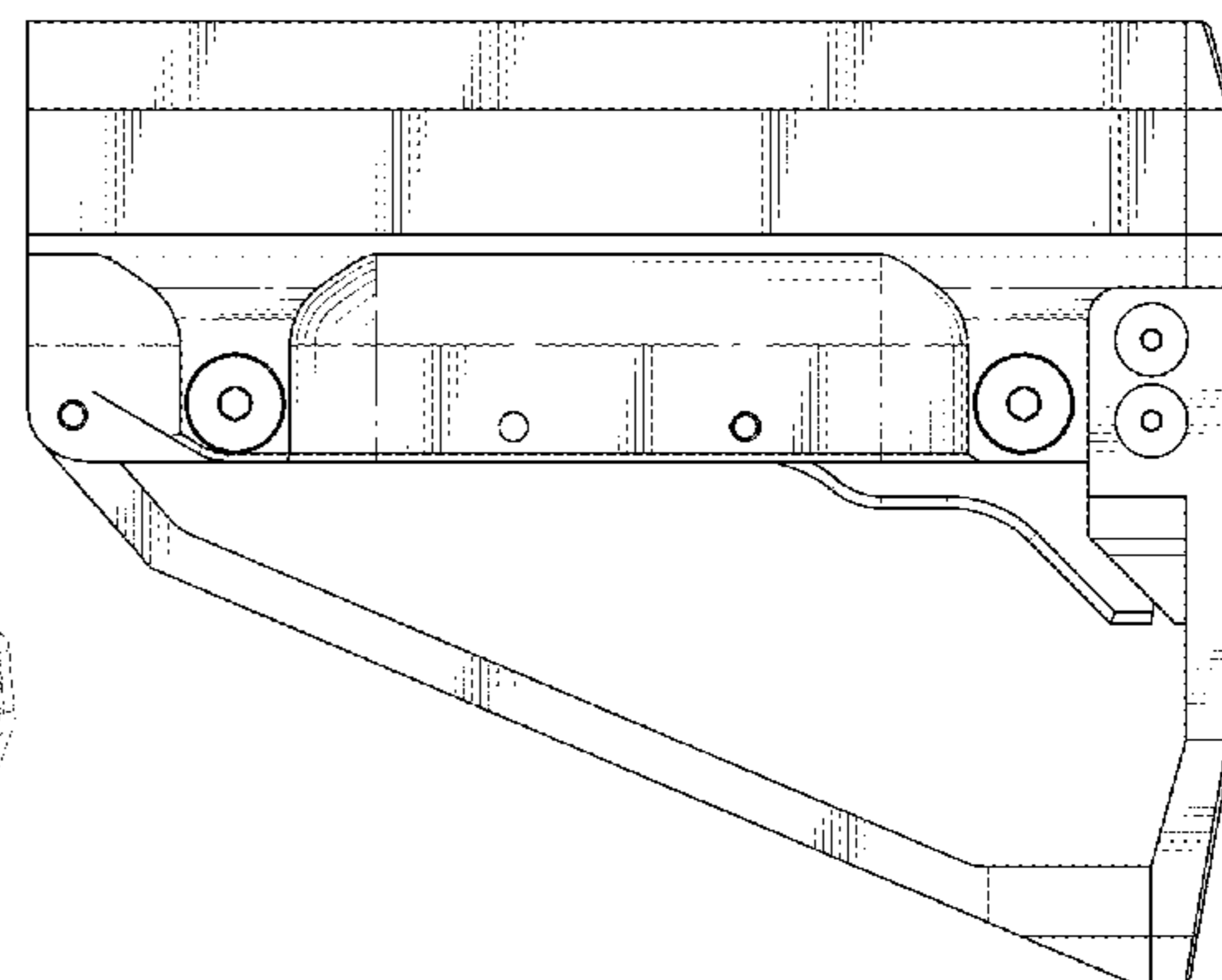
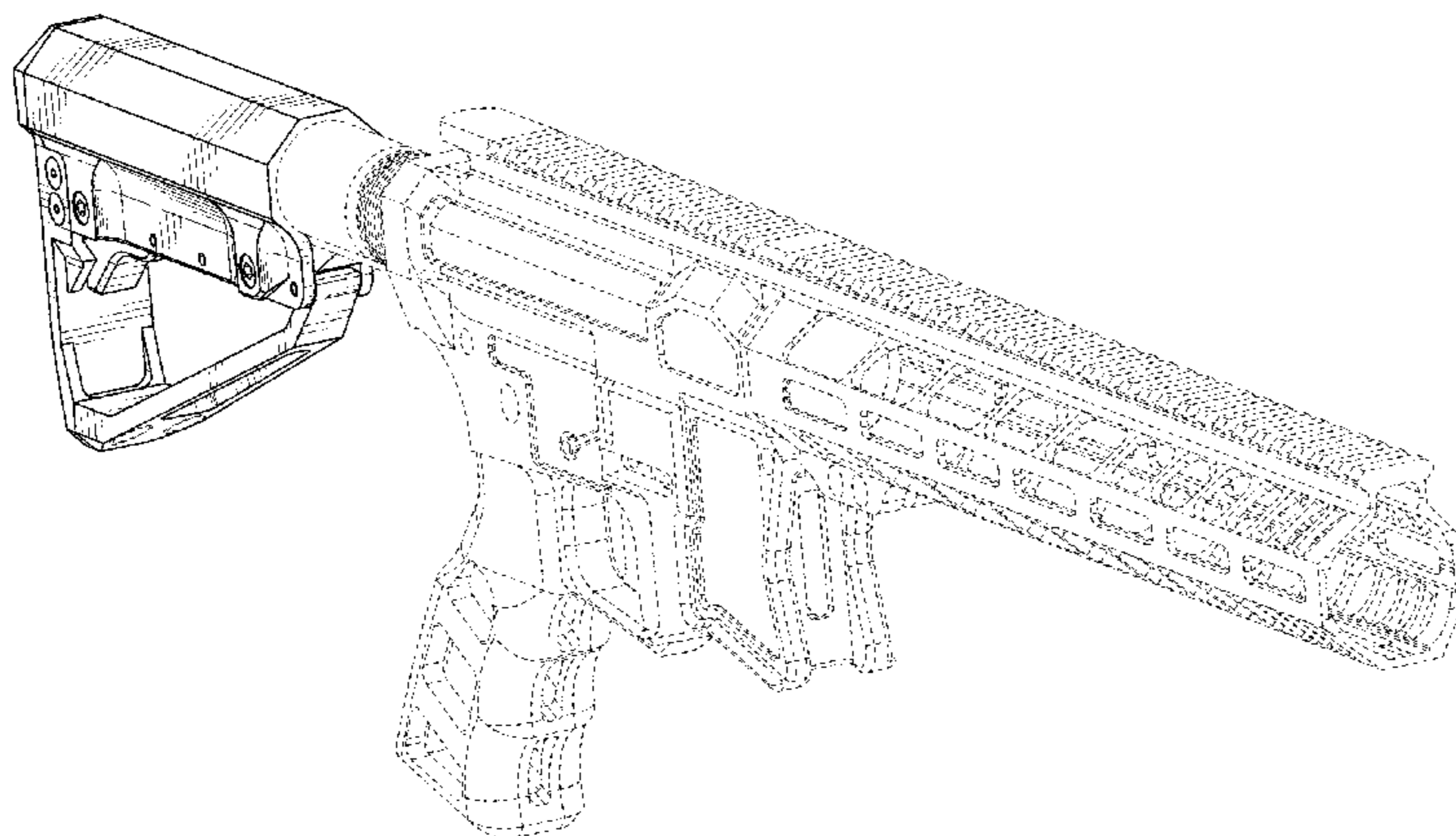
FIG. 5 is a left side view of the firearm light weight billet stock of FIG. 1.

FIG. 6 is a top view of the firearm light weight billet stock of FIG. 1; and,

FIG. 7 is a bottom view of the firearm light weight billet stock of FIG. 1.

The broken lines in the figures illustrate firearm environment and portions of the firearm light weight billet stock that form no part of the claimed design.

**1 Claim, 5 Drawing Sheets**



(58) **Field of Classification Search**

CPC .... F41C 23/22; F41C 7/02; F41C 7/04; F41C 7/06; F41C 7/11; F41C 7/12; F41C 27/00; F41C 27/06

See application file for complete search history.

(56) **References Cited**

U.S. PATENT DOCUMENTS

D631,122 S 1/2011 Domagtoy  
 D636,833 S \* 4/2011 Mayberry ..... D22/108  
 D640,342 S 6/2011 Fitzpatrick et al.  
 D661,366 S 6/2012 Zusman  
 D668,311 S 10/2012 Rogers et al.  
 D676,921 S \* 2/2013 Fitzpatrick ..... D22/108  
 D683,808 S 6/2013 Elkaim  
 D691,234 S 10/2013 Fitzpatrick et al.  
 D697,162 S 1/2014 Faifer  
 D706,879 S 6/2014 Chu  
 D724,168 S \* 3/2015 Alis ..... D22/103  
 D728,057 S \* 4/2015 Daniel ..... D22/108  
 D736,336 S 8/2015 Mayberry et al.  
 D738,981 S \* 9/2015 Zusman ..... D22/108  
 D747,427 S 1/2016 Zusman  
 D757,883 S \* 5/2016 Chow ..... D22/108  
 D760,326 S 6/2016 Chu  
 D773,005 S 11/2016 Ding et al.  
 D774,618 S \* 12/2016 Bosco ..... D22/108  
 9,528,782 B2 \* 12/2016 Meier ..... F41A 3/66  
 9,651,325 B1 \* 5/2017 Gant ..... F41A 17/06  
 9,658,020 B2 \* 5/2017 Daniel ..... F41A 21/485  
 D792,936 S \* 7/2017 Eitan ..... D22/108  
 D792,937 S \* 7/2017 Eitan ..... D22/108  
 9,714,802 B1 \* 7/2017 Storch ..... F41A 5/26  
 9,909,832 B2 \* 3/2018 Darlington ..... F41A 17/56  
 D824,476 S \* 7/2018 Bosco ..... D22/108  
 D828,476 S \* 9/2018 Smith ..... D22/108

D852,919 S \* 7/2019 Taylor ..... D22/108  
 2011/0107643 A1 \* 5/2011 Fitzpatrick ..... F41C 23/16  
 42/72  
 2012/0000109 A1 \* 1/2012 Zusman ..... F41C 23/14  
 42/71.01  
 2012/0180359 A1 \* 7/2012 Fitzpatrick ..... F41C 23/16  
 42/71.01  
 2014/0311004 A1 \* 10/2014 Barrett ..... F41A 17/42  
 42/16  
 2016/0313078 A1 \* 10/2016 Dove ..... F41A 9/01  
 2017/0146312 A1 \* 5/2017 Groves ..... F41A 21/30  
 2017/0160044 A1 \* 6/2017 Khoshnood ..... F41B 5/1469  
 2017/0205162 A1 \* 7/2017 Beaty ..... F41A 3/18  
 2017/0284757 A9 \* 10/2017 Dewitt ..... F41C 23/10  
 2017/0299290 A1 \* 10/2017 Beaty ..... F41F 1/08  
 2017/0299292 A1 \* 10/2017 Daley, Jr. .... F41A 11/00  
 2017/0321978 A1 \* 11/2017 Brannan ..... F41A 5/28  
 2017/0328660 A1 \* 11/2017 McGinty ..... F41A 35/06  
 2018/0003459 A1 \* 1/2018 Miller ..... F41C 23/04  
 2018/0058802 A1 \* 3/2018 Hall ..... F41C 7/11  
 2018/0080726 A1 \* 3/2018 Smith ..... F41A 35/06  
 2019/0049213 A1 \* 2/2019 Yang ..... F41C 23/14  
 2019/0204044 A1 \* 7/2019 Overstreet ..... F41C 23/14

OTHER PUBLICATIONS

Fab Defence GL-CORE Tactical Lightweight AR15/M16 Butt-Stock, Zahal.org, [online], [site visited Aug. 6, 2019]. <URL: <https://zahal.org/product/fab-defense-gl-core-tactical-lightweight-ar15-m16-butt-stock/>> (Year: 2019).\*

Leapers UTG PRO Model 4 Combat Ops S1 Mil-Spec Butt Stock RBUS1BMS 33% Off, OpticsPlanet.com, [online], [site visited Aug. 6, 2019]. <URL: <https://www.opticsplanet.com/leapers-utg-pro-model-4-combat-ops-s1-mil-spec-butt-stock.html>> (Year: 2019).\*

\* cited by examiner

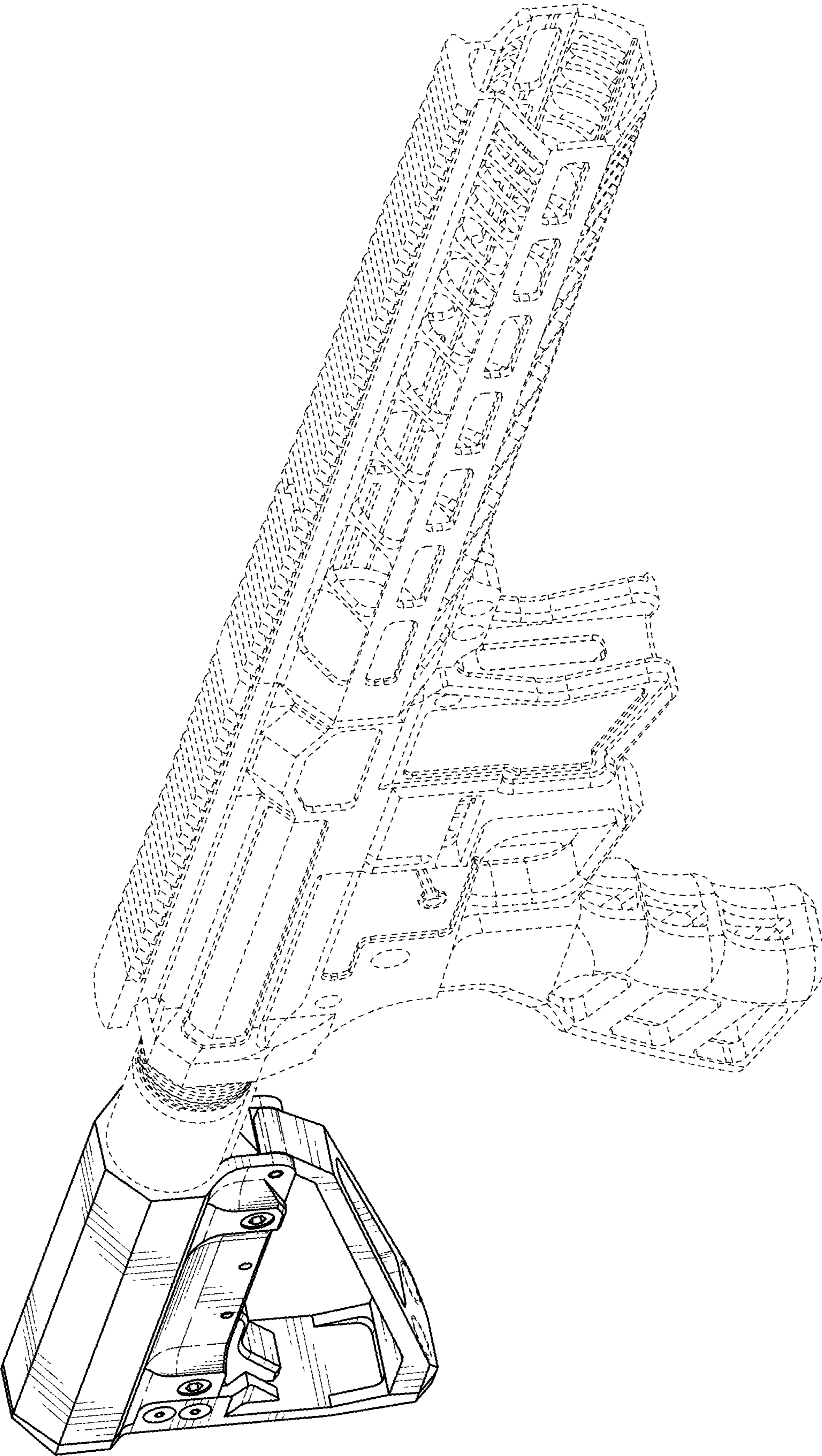


FIG. 1

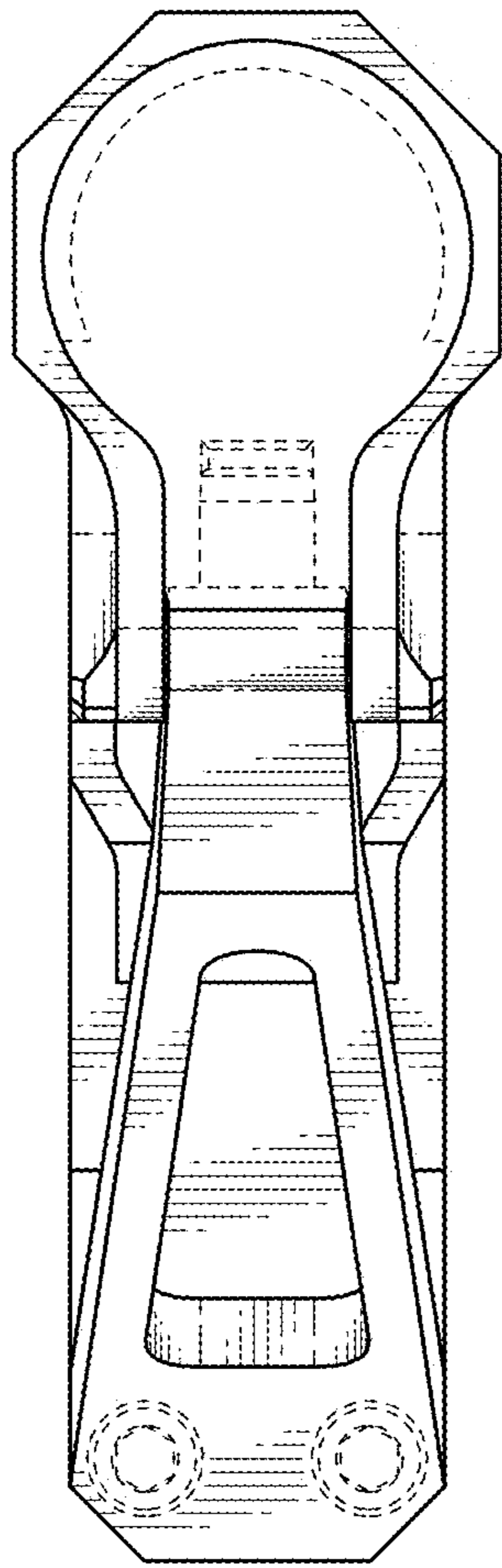


FIG. 2

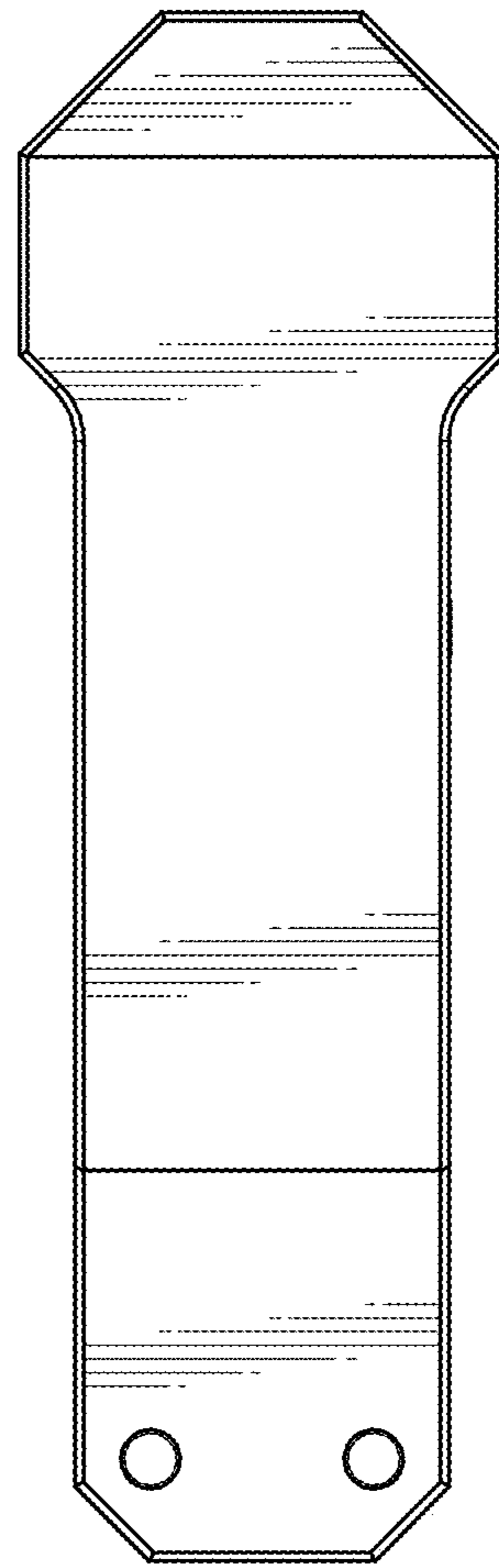


FIG. 3

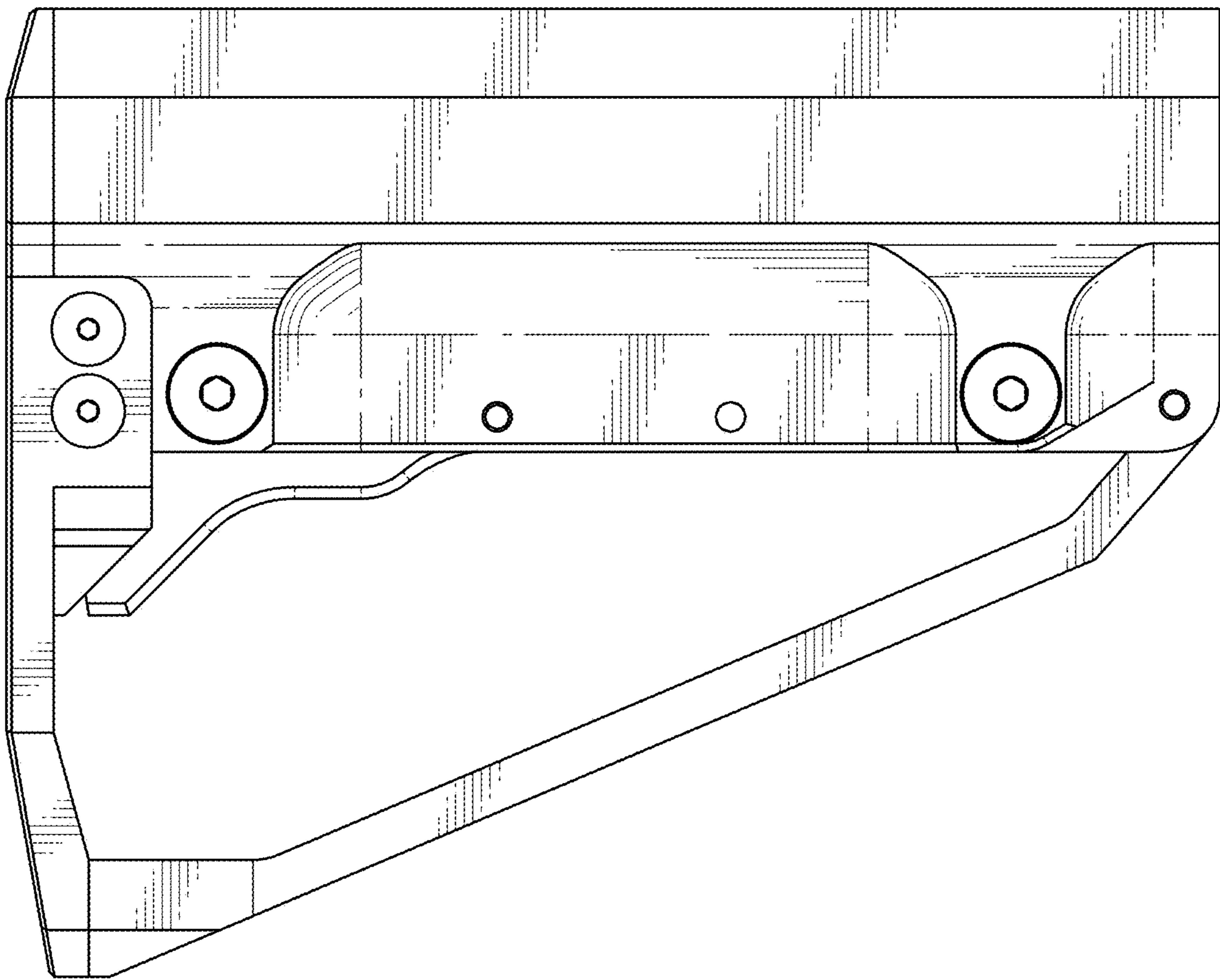


FIG. 4

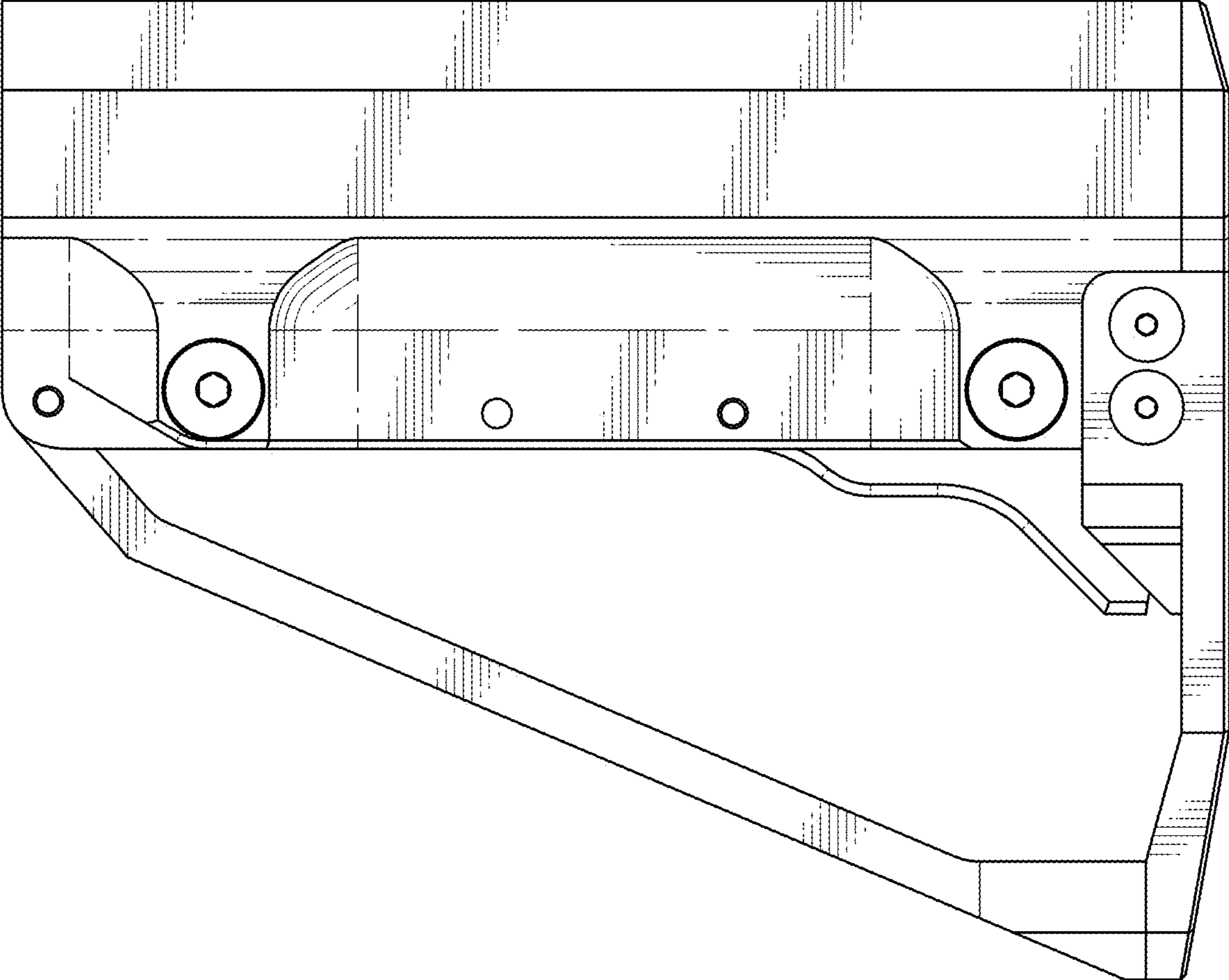


FIG. 5

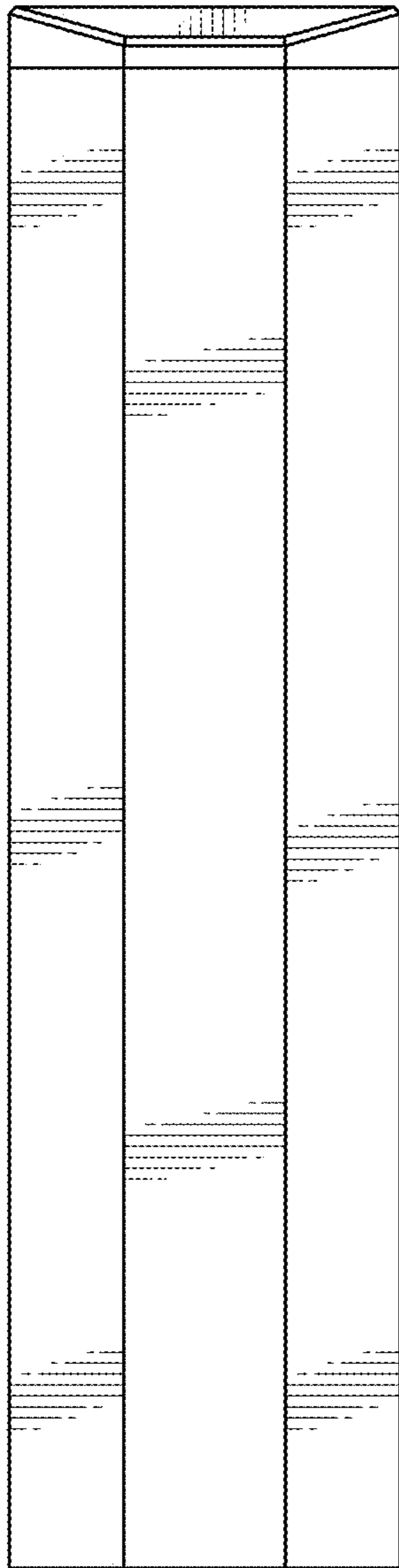


FIG. 6

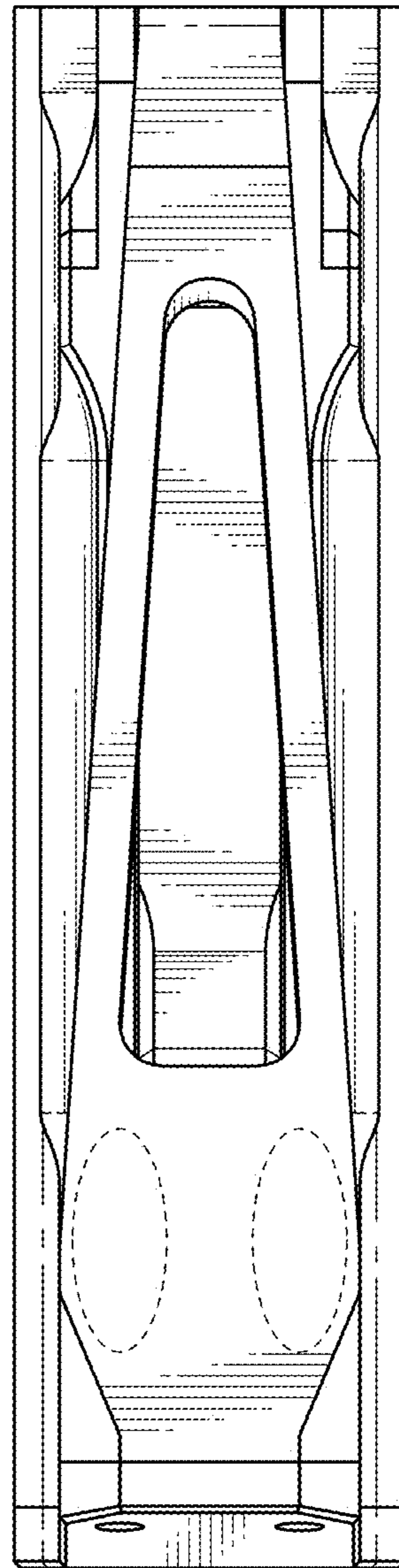


FIG. 7