



US00D876571S

(12) **United States Design Patent** (10) **Patent No.:** **US D876,571 S**
Bofill (45) **Date of Patent:** **** Feb. 25, 2020**

(54) **BUTTSTOCK**

(71) Applicant: **Masters Outdoors, LLC**, Miami, FL (US)

(72) Inventor: **Peter Bofill**, Hialeah, FL (US)

(**) Term: **15 Years**

(21) Appl. No.: **29/599,797**

(22) Filed: **Apr. 6, 2017**

(51) **LOC (12) Cl.** **22-01**

(52) **U.S. Cl.**
USPC **D22/108**

(58) **Field of Classification Search**
USPC D22/101, 107-111; D21/572-575
CPC F41C 23/00; F41C 23/10; F41C 23/14;
F41C 23/16; F41C 23/18; F41C 27/00;
F41C 27/06; F41A 5/18; F41A 5/24;
F41A 21/28

See application file for complete search history.

(56) **References Cited**

U.S. PATENT DOCUMENTS

D600,307 S *	9/2009	Fitzpatrick	D22/109
D661,366 S *	6/2012	Zusman	F41C 23/04
				D22/108
D692,087 S *	10/2013	Fitzpatrick	D22/108
D697,162 S *	1/2014	Faifer	D22/108
D716,398 S *	10/2014	Barnett	D22/107
D738,981 S *	9/2015	Zusman	D22/108
D775,298 S *	12/2016	Barnett	D22/107
D775,299 S *	12/2016	Barnett	D22/107
D779,614 S *	2/2017	Barnett	D22/107
D787,619 S *	5/2017	Young	D22/103
D809,621 S *	2/2018	Lam	D22/108
D818,074 S *	5/2018	Ding	D22/108
D847,137 S *	4/2019	Monti	D14/418
D847,913 S *	5/2019	Patel	D21/574

10,317,166 B1 *	6/2019	Smith	F41C 23/08
10,443,973 B2 *	10/2019	Bofill	F41C 23/16
D868,924 S *	12/2019	Nuss	D22/108
2019/0093996 A1 *	3/2019	Peterson	F41A 5/02

OTHER PUBLICATIONS

CA-158663, posted at Orbit, publication date Mar. 31, 2015. [Site visited Sep. 15, 2018] Available from internet. (Year: 2015).*

* cited by examiner

Primary Examiner — Kevin K Rudzinski

Assistant Examiner — Kathleen L Jones

(74) *Attorney, Agent, or Firm* — Christopher J. Vandam
PA; Chris Van Dam

(57) **CLAIM**

The ornamental design for a buttstock, as shown and described.

DESCRIPTION

FIG. 1 shows a left elevation view of a buttstock with environmental structure included in broken lines forming no part of the claimed design.

FIG. 2 shows a left elevation view of the buttstock.

FIG. 3 shows a right elevation view of the buttstock.

FIG. 4 shows a top plan view of the buttstock.

FIG. 5 shows a bottom plan view of the buttstock.

FIG. 6 shows a perspective view of the buttstock.

FIG. 7 shows a perspective view of the buttstock.

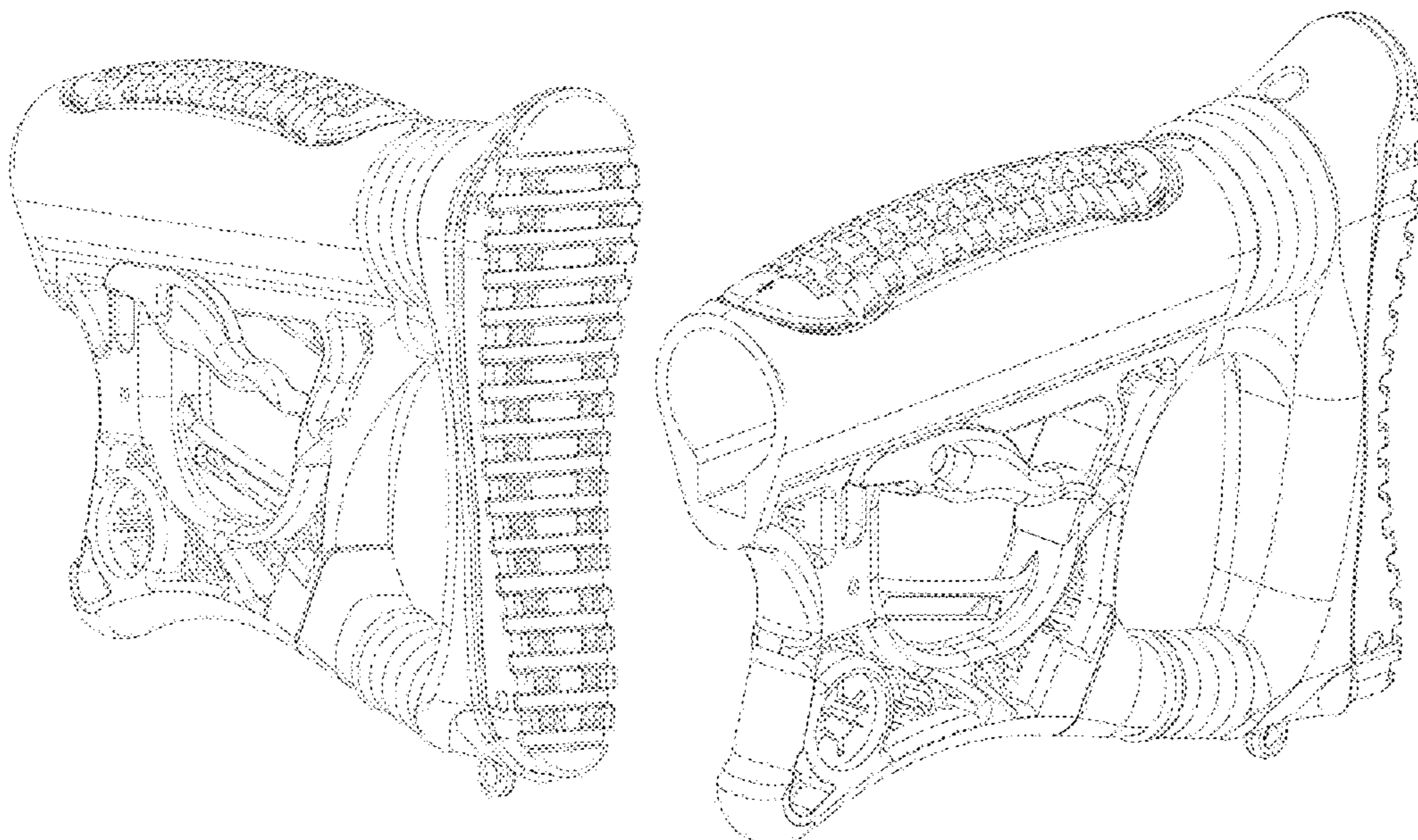
FIG. 8 shows a rear elevation view of the buttstock.

FIG. 9 shows a front elevation view of the buttstock; and,

FIG. 10 shows a partial perspective view of a detail identified by the callout in FIG. 2.

The broken lines showing portions of the buttstock are included to illustrate portions of the article and form no part of the claimed design.

1 Claim, 10 Drawing Sheets



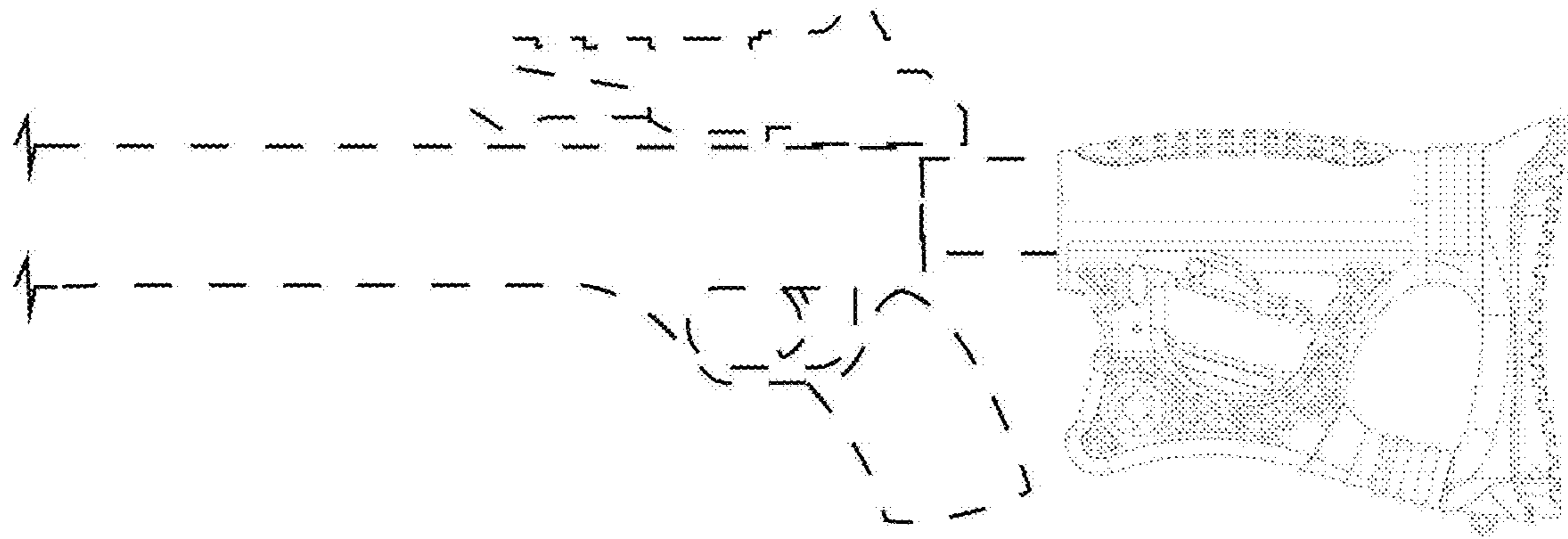


FIG 1

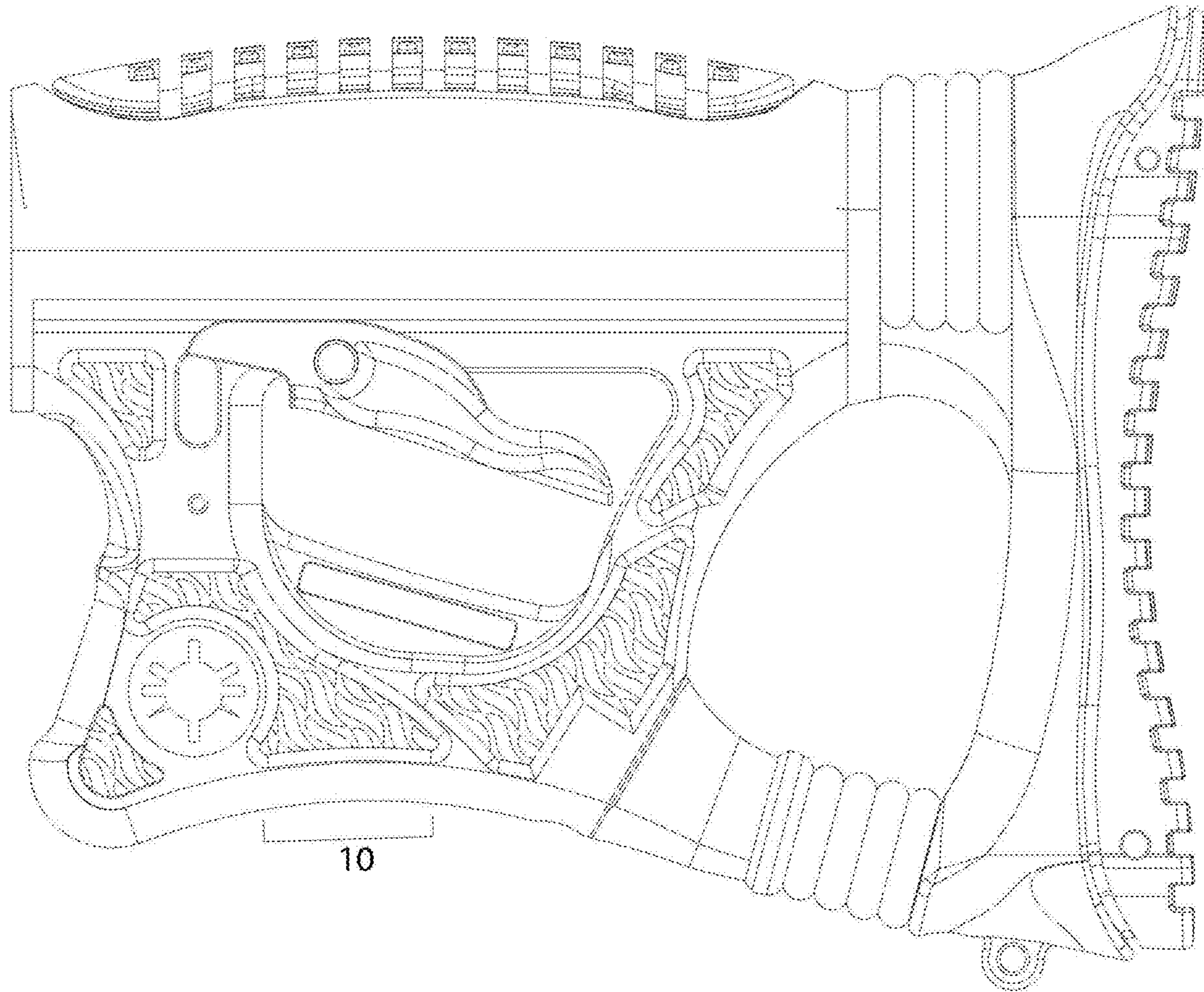


FIG 2

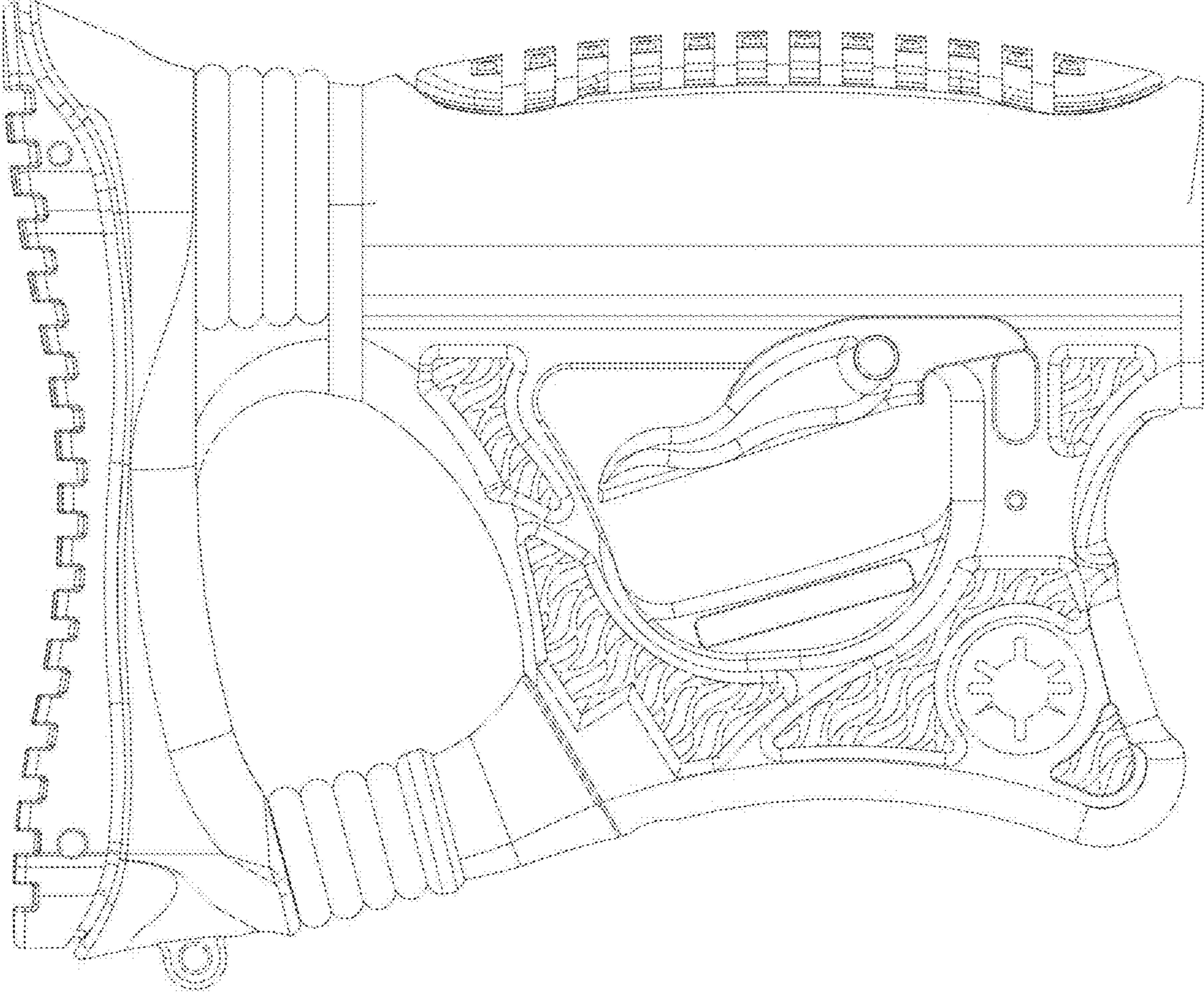


FIG 3

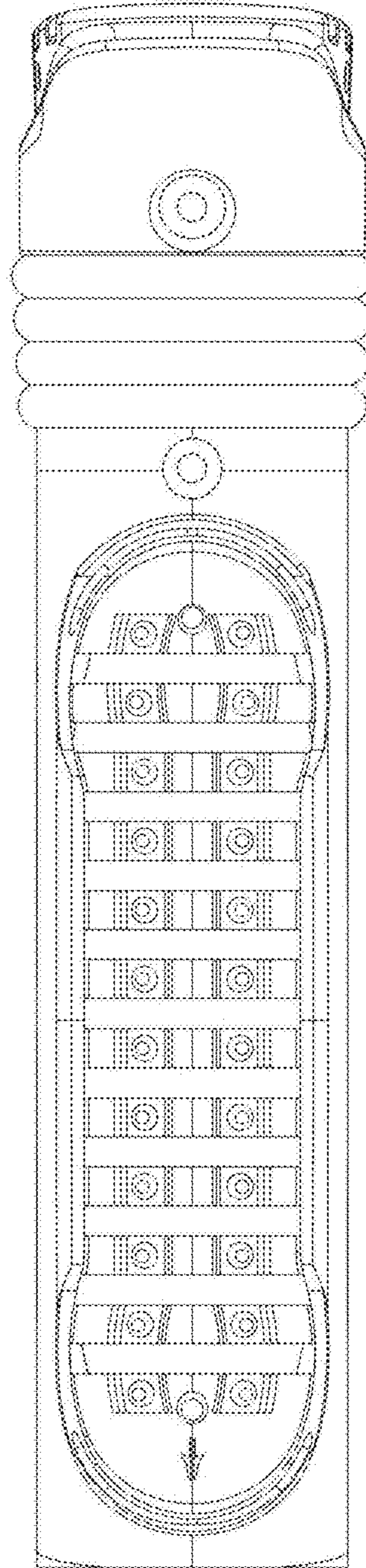


FIG 4

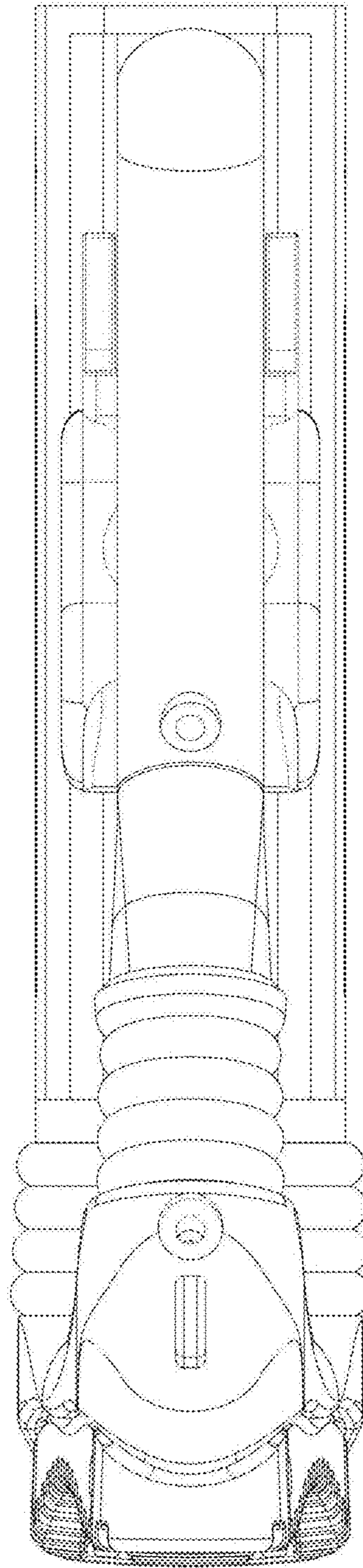


FIG 5

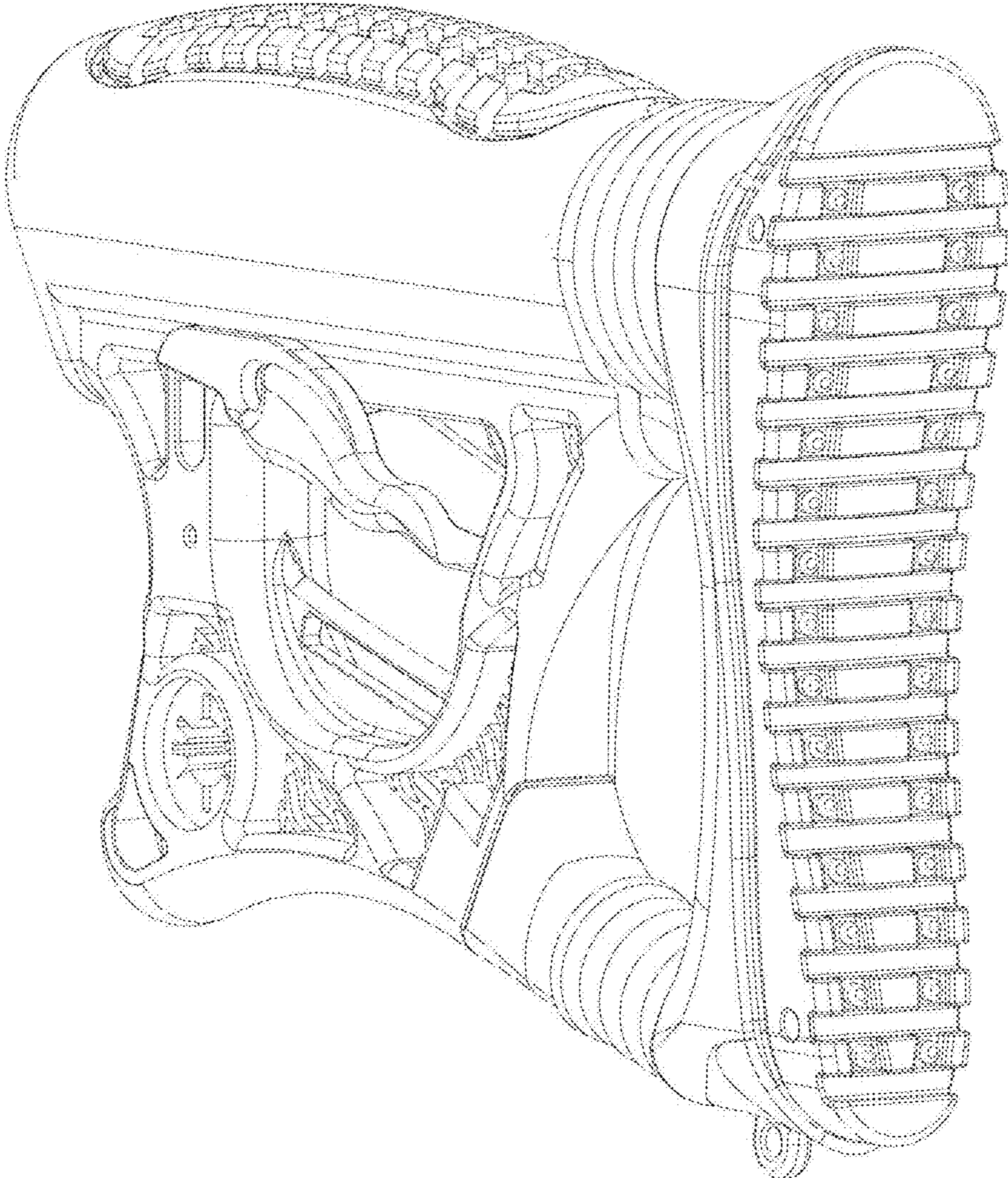


FIG 6

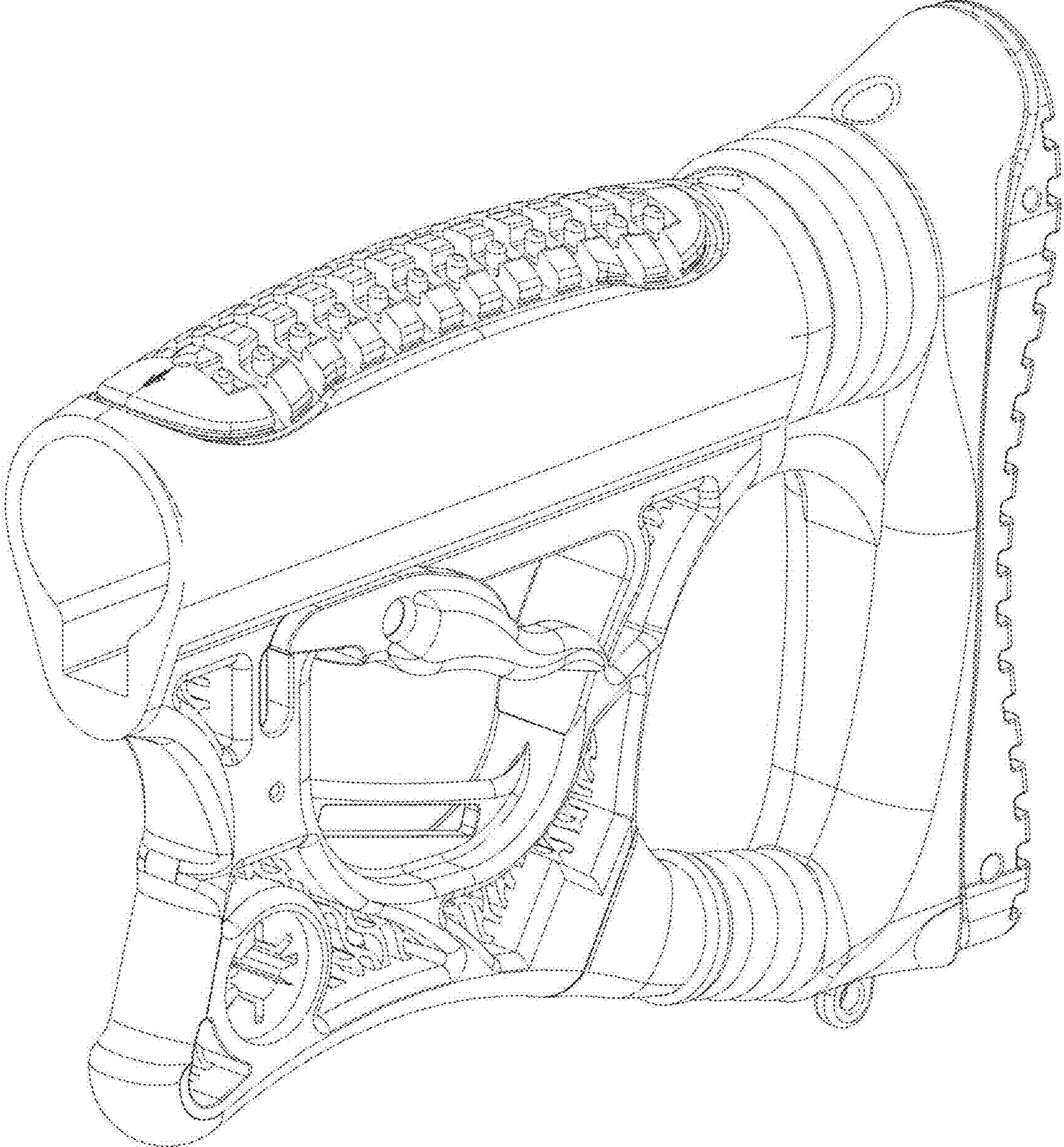


FIG 7

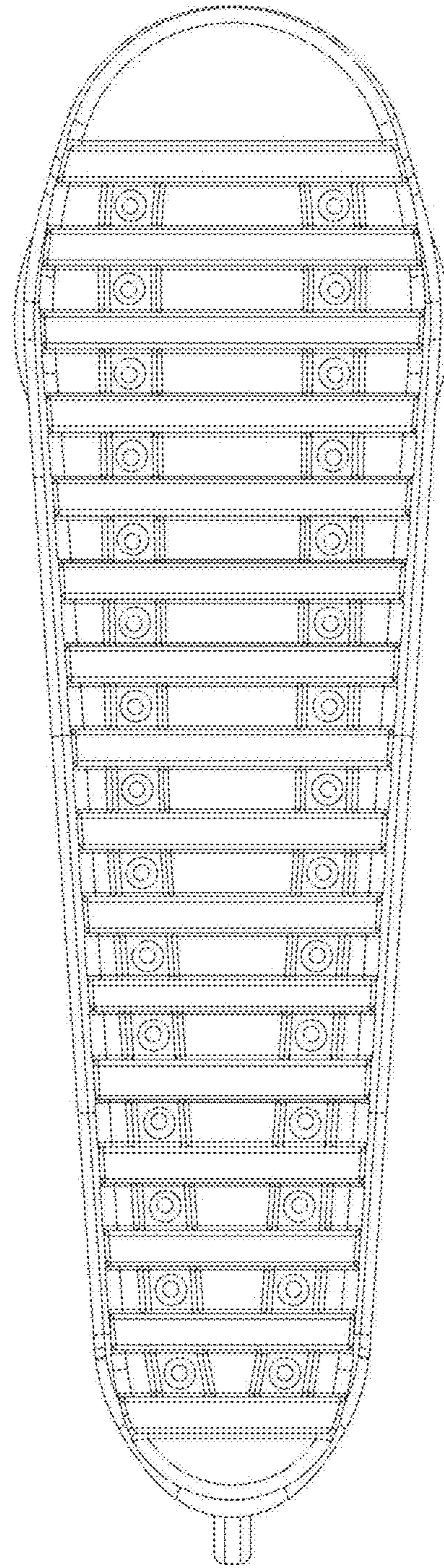


FIG 8

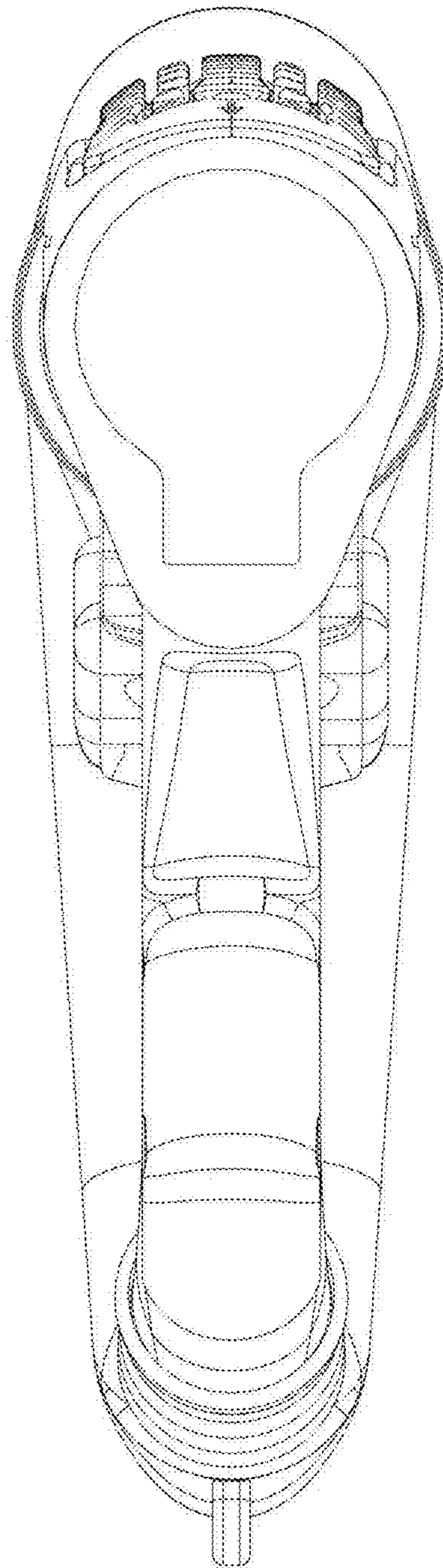


FIG 9

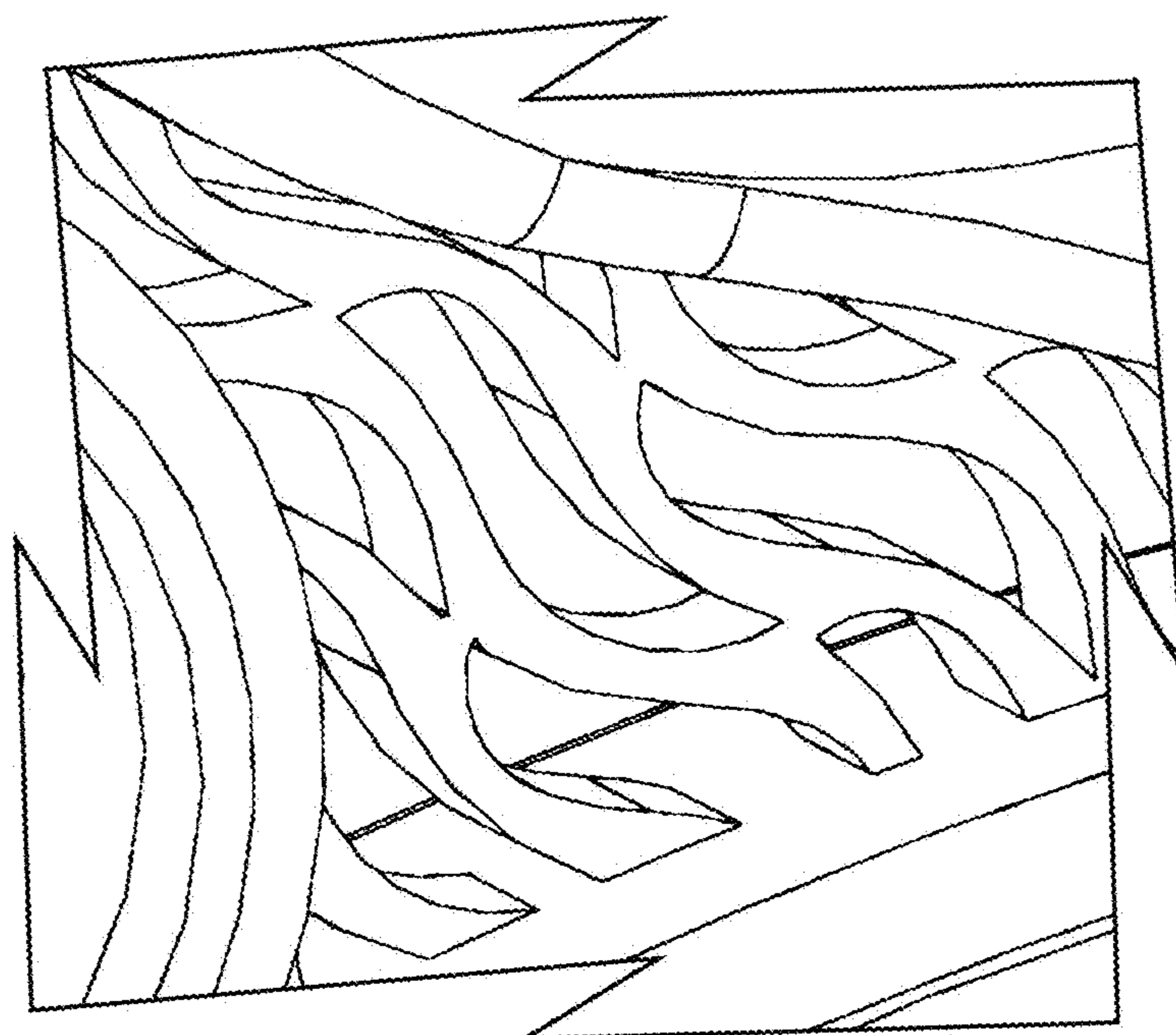


FIG 10