



US00D876570S

(12) **United States Design Patent**
Saadon

(10) **Patent No.:** **US D876,570 S**

(45) **Date of Patent:** **** *Feb. 25, 2020**

(54) **ANGLED GRIP**

(71) Applicant: **FXD, LLC**, Austin, TX (US)

(72) Inventor: **Marschell B Saadon**, Round Rock, TX (US)

(73) Assignee: **FXD, LLC**, Austin, TX (US)

(*) Notice: This patent is subject to a terminal disclaimer.

(**) Term: **15 Years**

(21) Appl. No.: **29/595,172**

(22) Filed: **Feb. 26, 2017**

(51) **LOC (12) Cl.** **22-01**

(52) **U.S. Cl.**
USPC **D22/108**

(58) **Field of Classification Search**
USPC D22/100, 103, 108, 199; 362/109–114;
42/90, 94, 114, 117, 124–127, 131, 146
CPC F41C 23/10; F41C 23/14; F41C 23/16;
F41C 23/18
See application file for complete search history.

(56) **References Cited**

U.S. PATENT DOCUMENTS

D379,910 S *	6/1997	Hannen	D8/29.1
D643,497 S *	8/2011	Fitzpatrick	D22/108
D665,043 S *	8/2012	Fitzpatrick	D22/108
D698,405 S *	1/2014	Kline	D22/108
D698,885 S *	2/2014	Faifer	D22/108
8,707,604 B2 *	4/2014	Troy	F41C 23/16 248/169
D728,054 S *	4/2015	Webber	D22/108
D745,623 S *	12/2015	Flores	D22/108
D745,624 S *	12/2015	Flores	D22/108
D745,629 S *	12/2015	Barfoot	D22/108
D745,940 S *	12/2015	Flores	D22/108
9,228,786 B2 *	1/2016	Sullivan	F41A 3/26

D779,017 S *	2/2017	Liu	D22/108
D783,757 S *	4/2017	Jen	D22/108
D785,744 S *	5/2017	Bosco	D22/108
D786,383 S *	5/2017	Saadon	D22/108
D786,384 S *	5/2017	Saadon	D22/108
D790,650 S *	6/2017	Saadon	D22/108
D790,651 S *	6/2017	Saadon	D22/108
9,696,111 B2 *	7/2017	Saadon	F41G 11/003
D803,966 S *	11/2017	Saadon	D22/108
D803,967 S *	11/2017	Saadon	D22/108
D803,968 S *	11/2017	Saadon	D22/108

(Continued)

OTHER PUBLICATIONS

Picking an Angled Foregrip, ShootingIllustrated.com, by Kevin Creighton—Friday, Dec. 30, 2016, [online], [site visited Jul. 10, 2018]. <URL: <https://www.shootingillustrated.com/articles/2016/12/30/picking-an-angled-foregrip/>> (Year: 2016).*

(Continued)

Primary Examiner — T Chase Nelson
Assistant Examiner — Jonathan J. Han

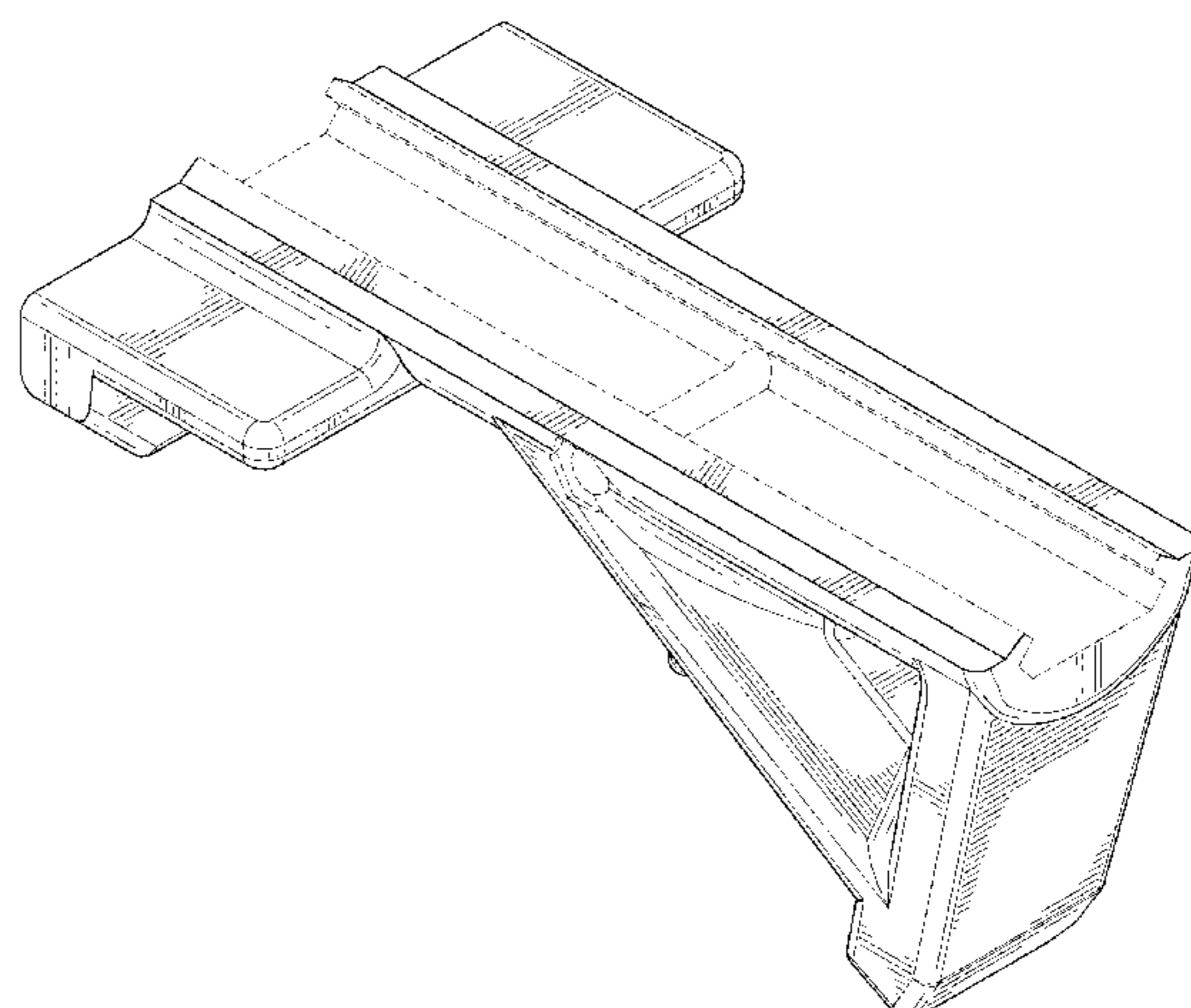
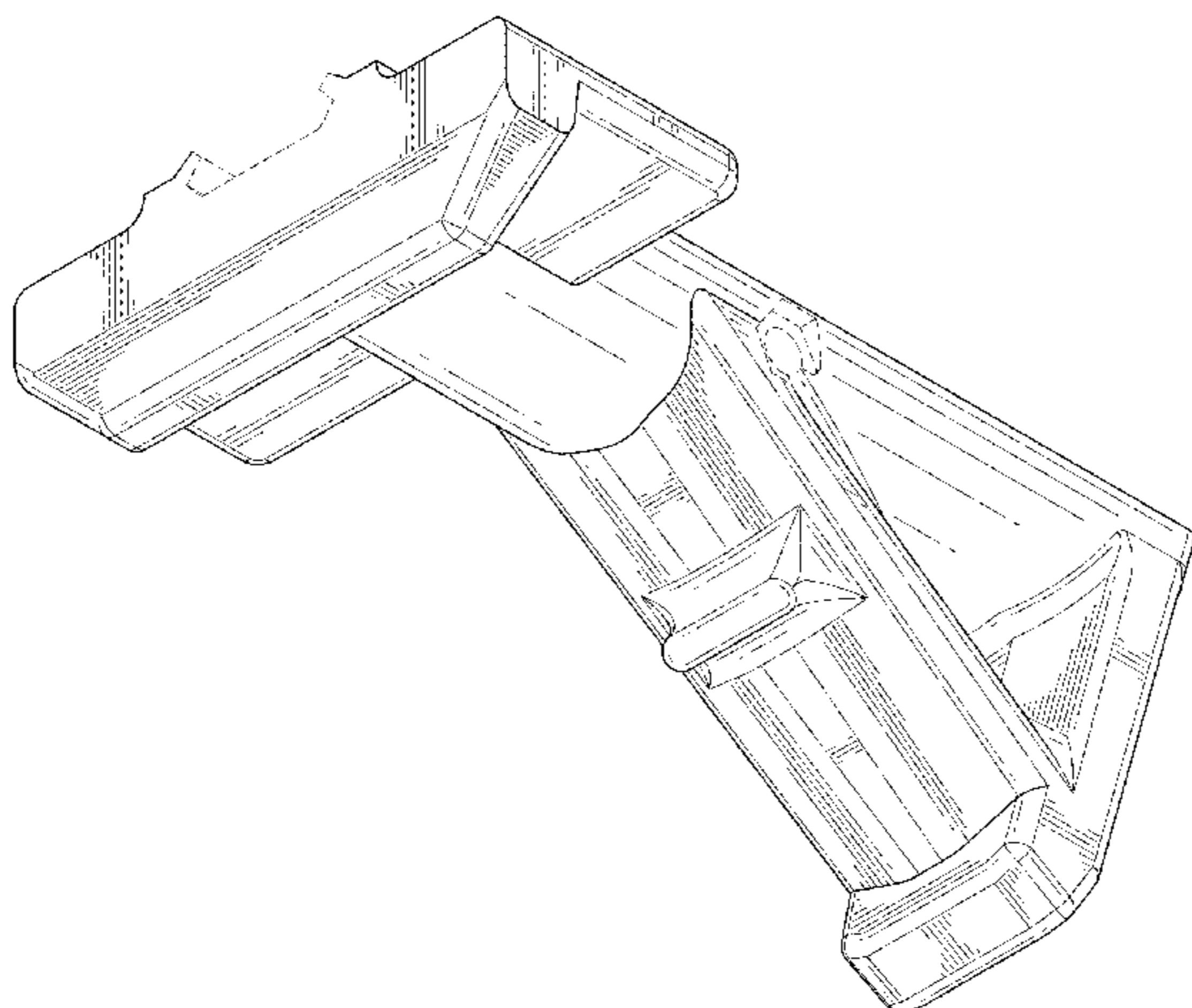
(57) **CLAIM**

The ornamental design for an angled grip, as shown and described.

DESCRIPTION

FIG. 1 is a perspective view of an angled grip; FIG. 2 is another perspective view thereof; FIG. 3 is a front view thereof; FIG. 4 is a rear view thereof; FIG. 5 and FIG. 6 are side views thereof; FIG. 7 is a bottom view thereof; and, FIG. 8 is a side view of a firearm with the angled grip. The broken lines in the drawings are used to illustrate unclaimed parts of an angled grip in FIGS. 1-8, as well as unclaimed environment of FIG. 8, and form no part of the claimed design.

1 Claim, 8 Drawing Sheets



(56)

References Cited

U.S. PATENT DOCUMENTS

D803,969 S * 11/2017 Saadon D22/108
D803,971 S * 11/2017 Saadon D22/108
D804,604 S * 12/2017 Shelton D22/108
2011/0107643 A1* 5/2011 Fitzpatrick F41C 23/16
42/72
2013/0333263 A1* 12/2013 Hovey F41C 23/16
42/72
2015/0233668 A1* 8/2015 Moore F41C 23/16
42/72
2016/0061560 A1* 3/2016 Saadon F41G 11/003
42/72

OTHER PUBLICATIONS

Magpul AFG Review, TheFirearmBlog.com, Posted Dec. 21, 2009, Steve Johnson, [online], [site visited Jul. 10, 2018]. <URL: <https://www.thefirearmblog.com/blog/2009/12/21/magpul-afg-review/>> (Year: 2009).*

My Thoughts on the Magpul AFG 2, YouTube.com, VitalGear, Published on Aug. 14, 2013, [online], [site visited Jul. 10, 2018]. <URL: <https://www.youtube.com/watch?v=Pla-PqxOons>> (Year: 2013).*

Fortis Manufacturing—Shift Short Angled Grips, Brownells.com, [online], [site visited Jul. 10, 2018]. <URL: <https://www.brownells.com/rifle-parts/grip-parts/foregrips/shift-short-angled-grips-prod88196.aspx>> (Year: 2018).*

Magpul AFG2 AR-15 Angled Foregrip Polymer Black MAG414-BLK, CheaperThanDirt.com, [online], [site visited Jul. 10, 2018]. <URL : <https://www.cheaperthandirt.com/product/magpul-afg2-angled-foregrip-grip-polymer-interchangeable-finger-shelf-black-mag414-blk-873750003429>> (Year: 2018).*

* cited by examiner

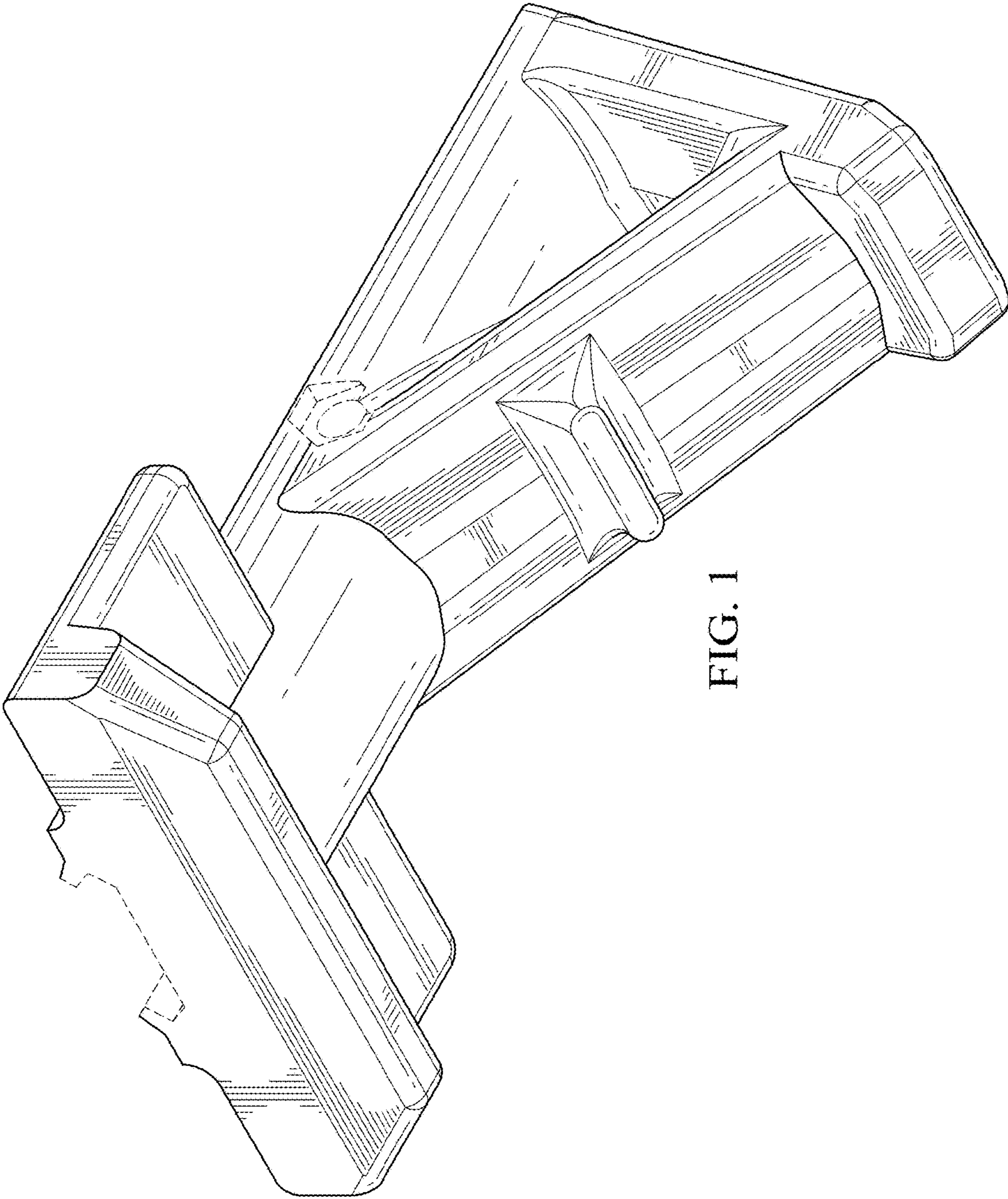


FIG. 1

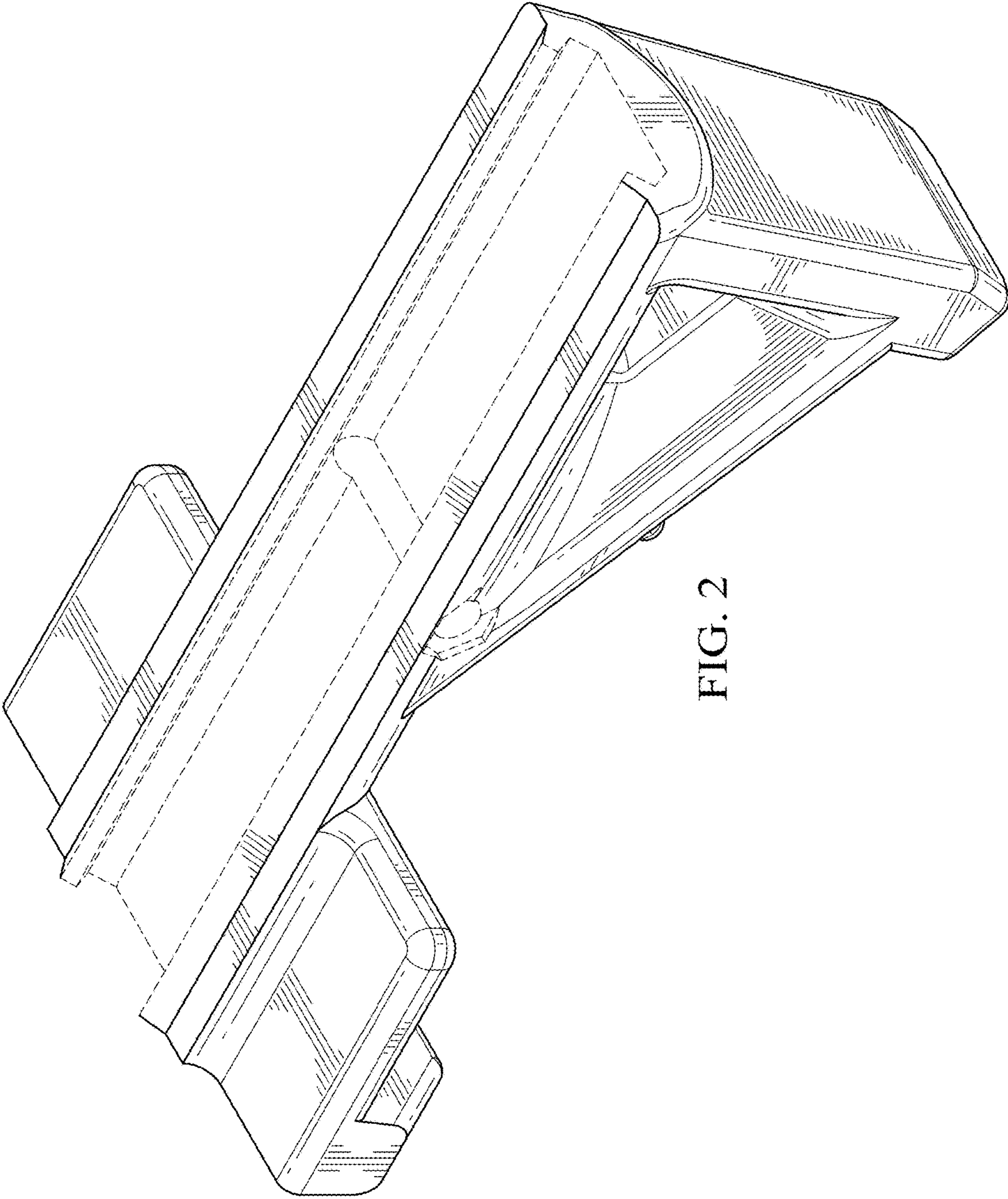


FIG. 2

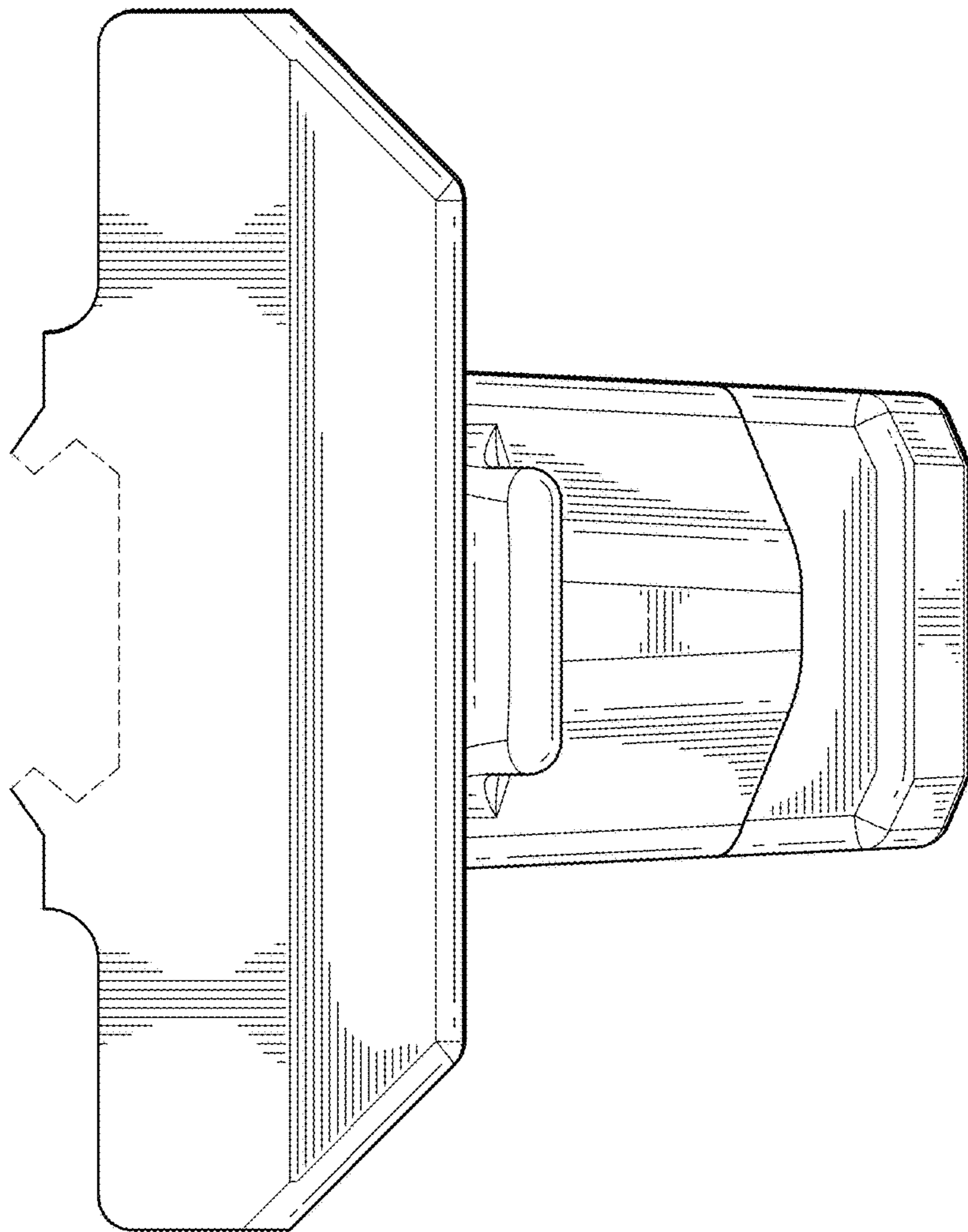


FIG. 3

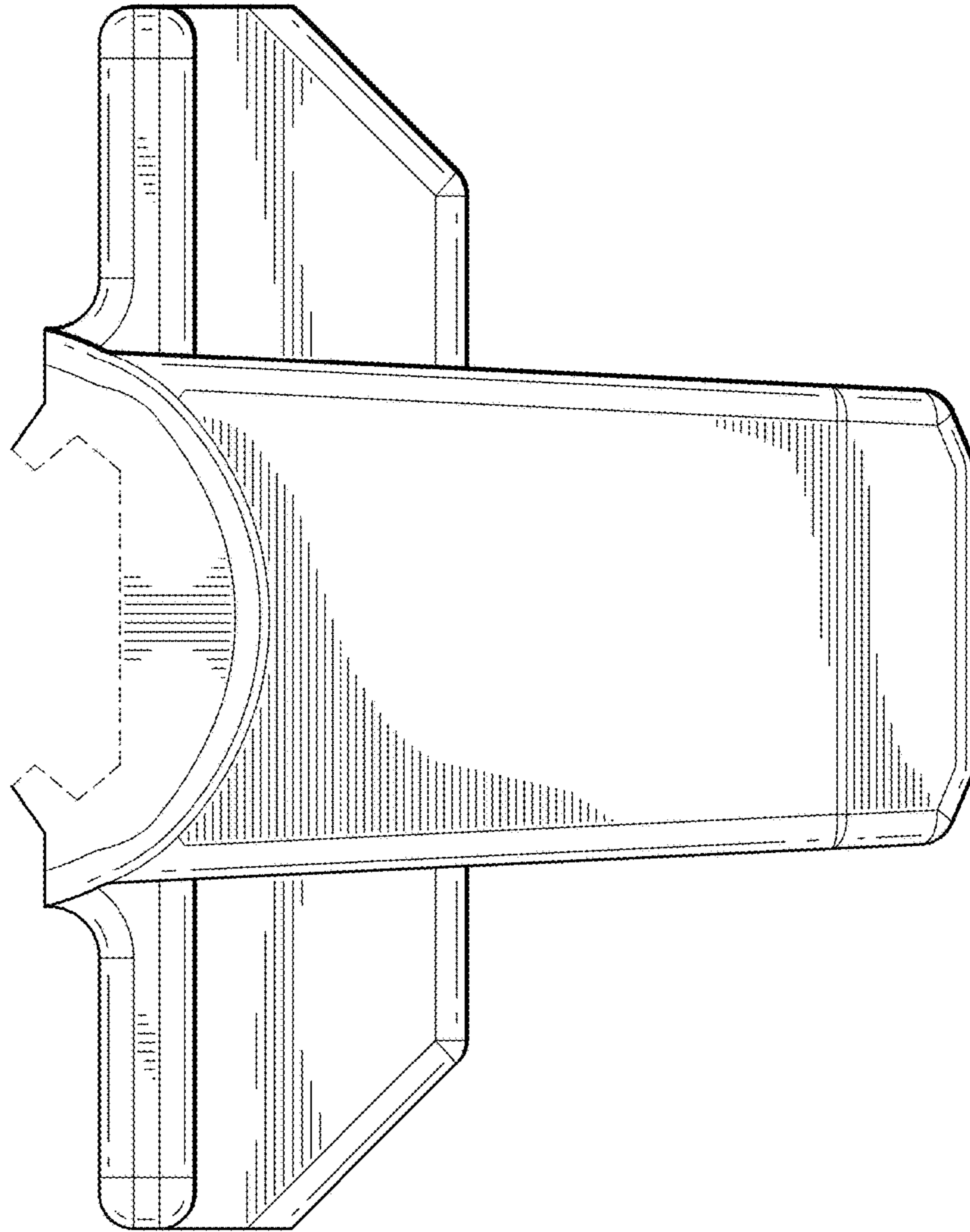


FIG. 4

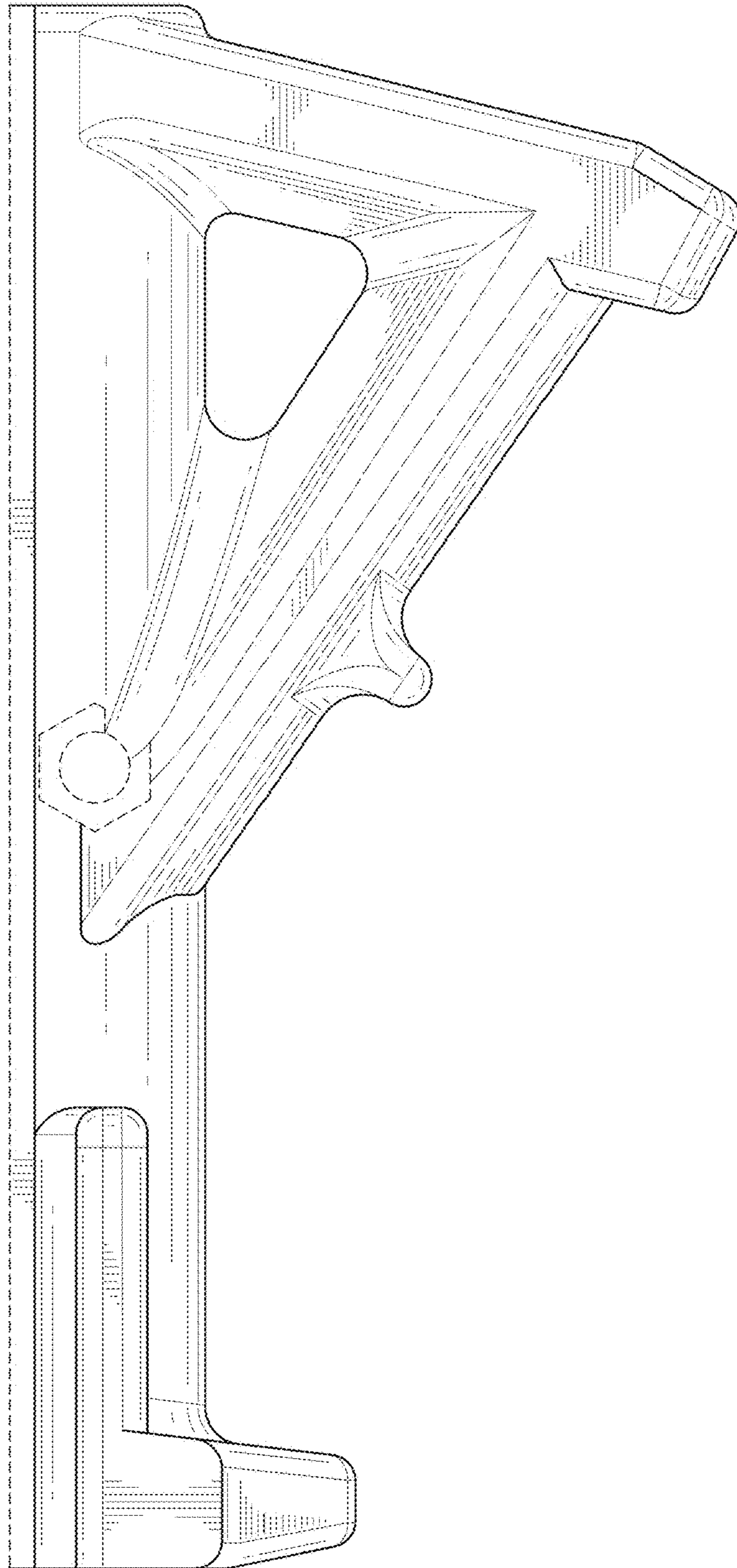


FIG. 5

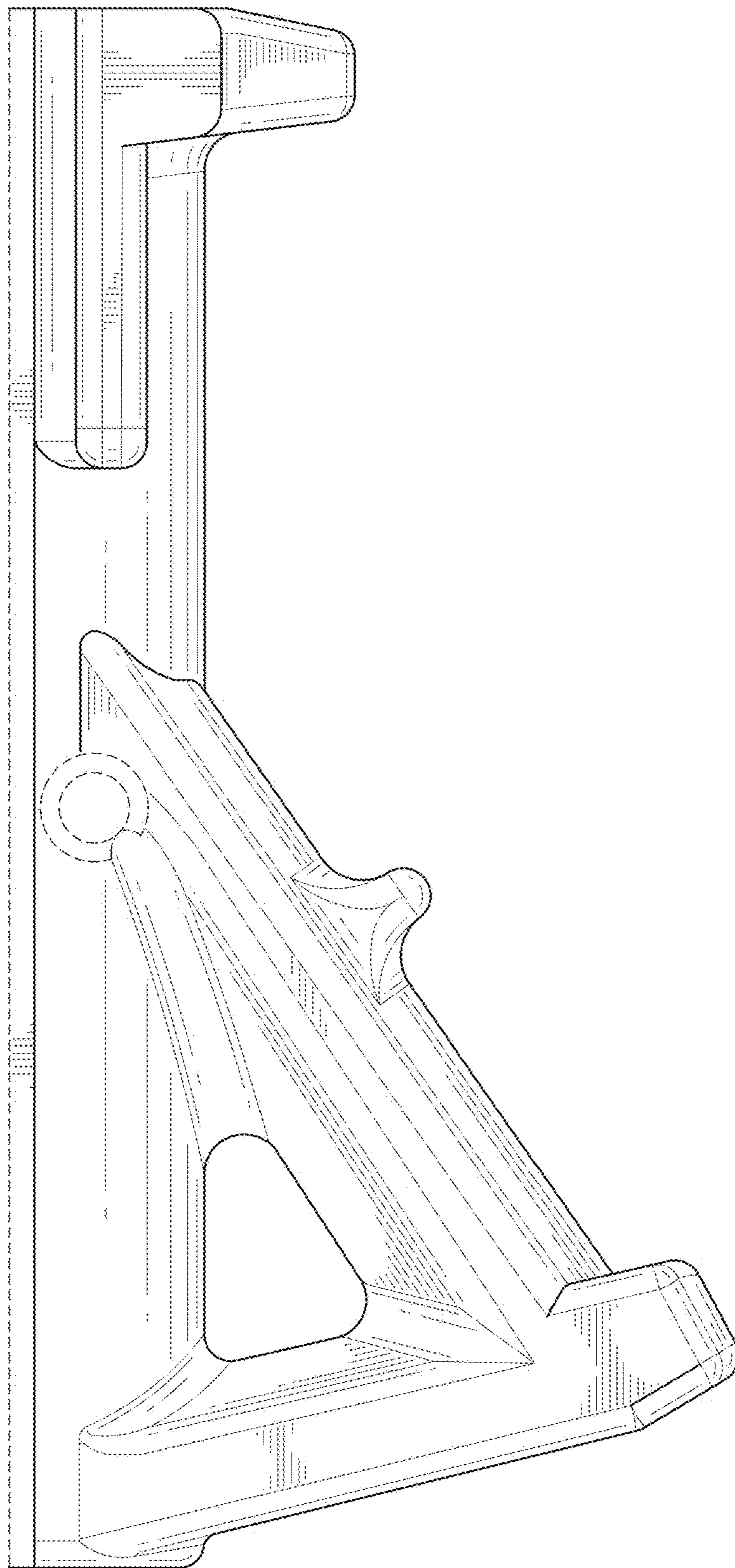


FIG. 6

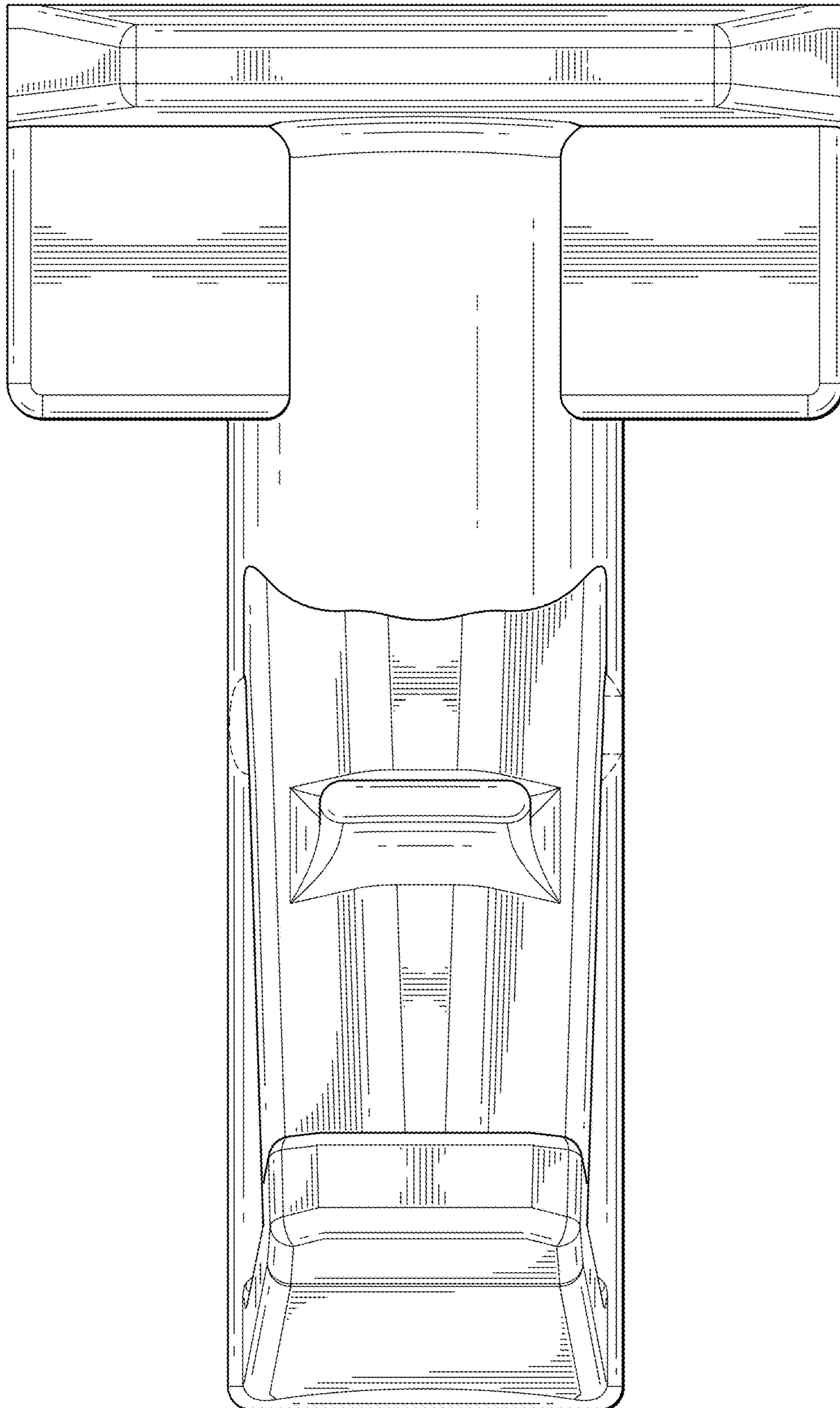


FIG. 7

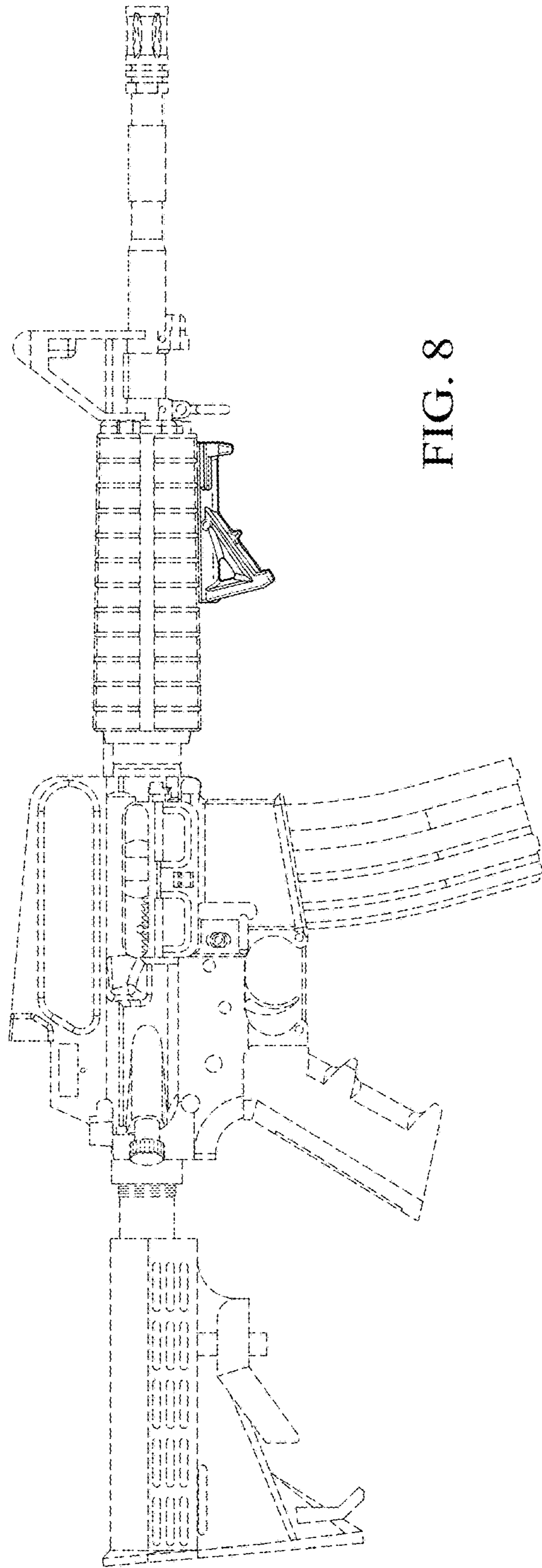


FIG. 8