

US00D876568S

(12) **United States Design Patent**
Ribelin et al.

(10) **Patent No.:** **US D876,568 S**

(45) **Date of Patent:** **** Feb. 25, 2020**

(54) **SUPPRESSED PISTOL**

3/06; F41C 3/14; F41C 3/16; F41C 9/02;
F41C 9/04; F41C 9/06; F41C 9/08

See application file for complete search history.

(71) Applicant: **SilencerCo, LLC**, West Valley City, UT
(US)

(56) **References Cited**

(72) Inventors: **Rex Ribelin**, Cottonwood Heights, UT
(US); **Jacob Scott Turnblom**, Murray,
UT (US)

U.S. PATENT DOCUMENTS

(73) Assignee: **SilencerCo, LLC**, West Valley City, UT
(US)

D330,749 S *	11/1992	Aigner	D22/104
5,522,167 A *	6/1996	Teetzel	F41A 9/62
			250/208.4
D416,013 S *	11/1999	Muraki	D14/418
D458,652 S	6/2002	Chan	
D583,896 S *	12/2008	McGarry	D22/104
D584,374 S *	1/2009	McGarry	D22/104

(Continued)

(**) Term: **15 Years**

OTHER PUBLICATIONS

(21) Appl. No.: **29/664,242**

SilencerCo Maxim 9 Overview, YouTube.com, Capitol Armory,
Published on May 17, 2017, [online], [site visited Jul. 25, 2019].
<URL: https://www.youtube.com/watch?v=0ee_3esmxY> (Year:
2017).*

(22) Filed: **Sep. 24, 2018**

(Continued)

Related U.S. Application Data

(62) Division of application No. 29/583,211, filed on Nov.
3, 2016, now Pat. No. Des. 829,292.

Primary Examiner — T Chase Nelson
Assistant Examiner — Jonathan J Han

(51) **LOC (12) Cl.** **22-01**

(57) **CLAIM**

(52) **U.S. Cl.**
USPC **D22/104**; D22/108

We claim the ornamental design for a suppressed pistol, as
shown and described.

(58) **Field of Classification Search**

DESCRIPTION

USPC D22/100, 104, 108, 109, 199;
D21/572–575, 145, 146, 147, 567;
D14/418; 124/16, 25.7, 27, 45, 82, 23.1,
124/35.2, 37, 79; 446/401, 403, 400,
446/473, 445, 182, 405, 407; 248/200;
D8/354, 373, 380, 499; 42/4, 41, 42.01,
42/42.02, 42.03, 43, 44, 45, 57, 69.01,
42/71.02, 72, 100; 89/40.06, 41.19,
89/37.04, 33.04, 191.01, 200–204;
362/110, 113
CPC F41C 3/005; F41C 3/02; F41C 3/04; F41C

FIG. 1 is a right side view of our design of a suppressed
pistol according to our invention;
FIG. 2 is a left side view of the suppressed pistol shown in
FIG. 1;
FIG. 3 is a top view of the suppressed pistol shown in FIG.
1;
FIG. 4 is a bottom view of the suppressed pistol shown in
FIG. 1;
FIG. 5 is a front view of the suppressed pistol shown in FIG.
1; and,

(Continued)

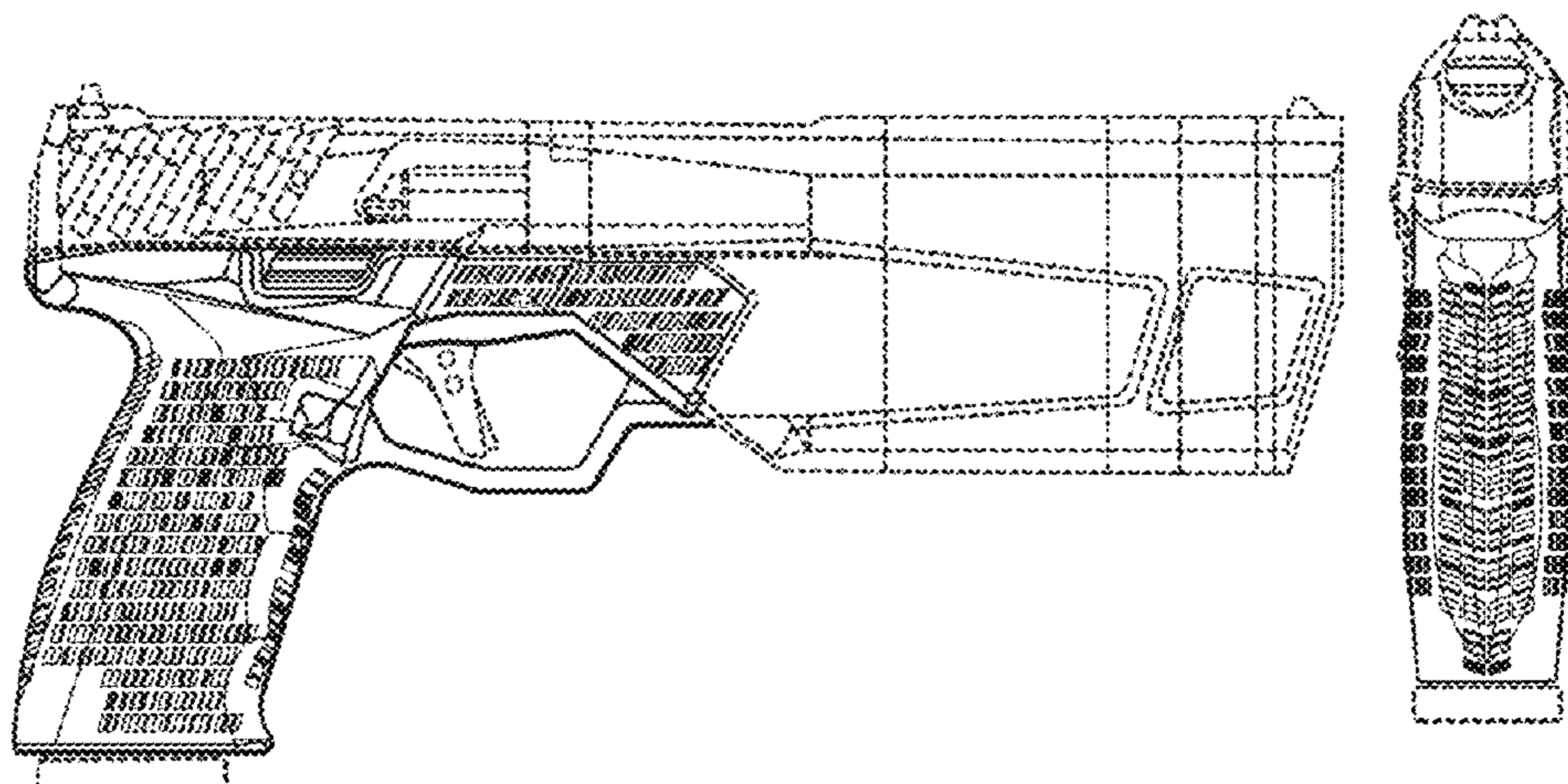


FIG. 6 is a rear view of the suppressed pistol shown in FIG. 1.

The broken lines depict portions of the suppressed pistol that form no part of the claimed design.

1 Claim, 2 Drawing Sheets

(56)

References Cited

U.S. PATENT DOCUMENTS

D593,622 S *	6/2009	Halmone	D21/574
D593,623 S *	6/2009	Halmone	D21/574
D593,629 S *	6/2009	Bantle	D22/104
D627,028 S *	11/2010	Coulombier	D22/104
D636,031 S *	4/2011	Torre	D21/573
8,312,658 B2	11/2012	Lippard		
D681,131 S *	4/2013	Su	D21/574
D687,117 S	7/2013	Yigit		
D716,899 S	11/2014	Rothmann		
D742,989 S	11/2015	Holden		
D744,049 S *	11/2015	Chu	D21/574
D754,258 S *	4/2016	Sakai	D14/418
D754,796 S *	4/2016	Sakai	D14/418
D754,802 S *	4/2016	Martelli	D21/574
D755,907 S *	5/2016	Hu	D21/574
D758,519 S	6/2016	Toner		
9,387,575 B2 *	7/2016	Wei	B25B 15/00
D778,389 S	2/2017	Holden		
D791,262 S *	7/2017	Brown	D22/104

D794,739 S *	8/2017	Kedairy	D22/104
D808,487 S *	1/2018	Beville	D22/104
D814,592 S *	4/2018	Curry	D22/104
D823,969 S *	7/2018	Beville	D22/104
D830,480 S *	10/2018	Chu	D21/574
D839,970 S *	2/2019	Chu	D21/574
D839,971 S *	2/2019	Chu	D21/574
D842,393 S *	3/2019	Xiao	D21/575
D849,172 S *	5/2019	Curry	D22/104
D849,173 S *	5/2019	Curry	D22/104
2006/0010746 A1	1/2006	Little		
2009/0282718 A1 *	11/2009	Bartley	F41C 23/12 42/75.03
2017/0205173 A1 *	7/2017	Thomas	F41A 3/40

OTHER PUBLICATIONS

Maxim 9 Product Overview, Silencerco.com, [online], [site visited Jul. 25, 2019]. <URL: <https://silencerco.com/maxim-9>> (Year: 2019).*

Maxim 9 SilencerCo, integrally suppressed pistol, New-WeaponsAndMore.blogspot.com, Sep. 16, 2015, [online], [site visited Jul. 25, 2019]. <URL: <https://newweaponsandmore.blogspot.com/2015/09/maxim-9-silencerco-integrally.html#!/2015/09/maxim-9-silencerco-integrally.html>> (Year: 2015).*

3D Sci-fi Handgun, Turbosquid.com, Published: Jun. 29, 2018, [online], [site visited Jul. 25, 2019]. <URL: <https://www.turbosquid.com/3d-models/3d-sci-fi-handgun-1301452>> (Year: 2018).*

NFA Review Channel—YouTube, Silencerco Maxim 9, Sep. 17, 2015, [site visited Aug. 31, 2016], Available on the Internet YRL:<<https://www.youtube.com/watch?v=BhK7F7kt50g>>.

* cited by examiner

FIG. 1

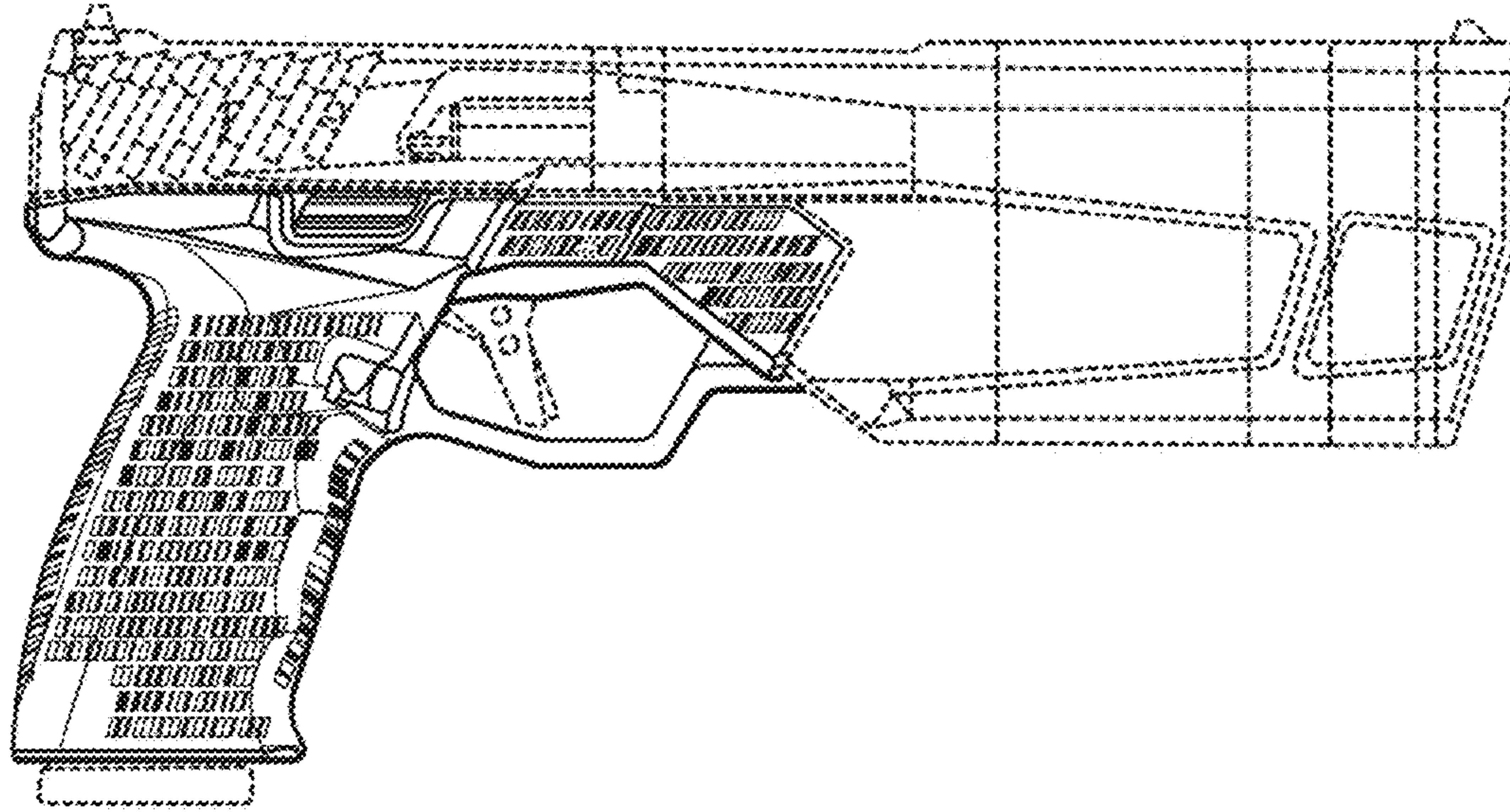


FIG. 2

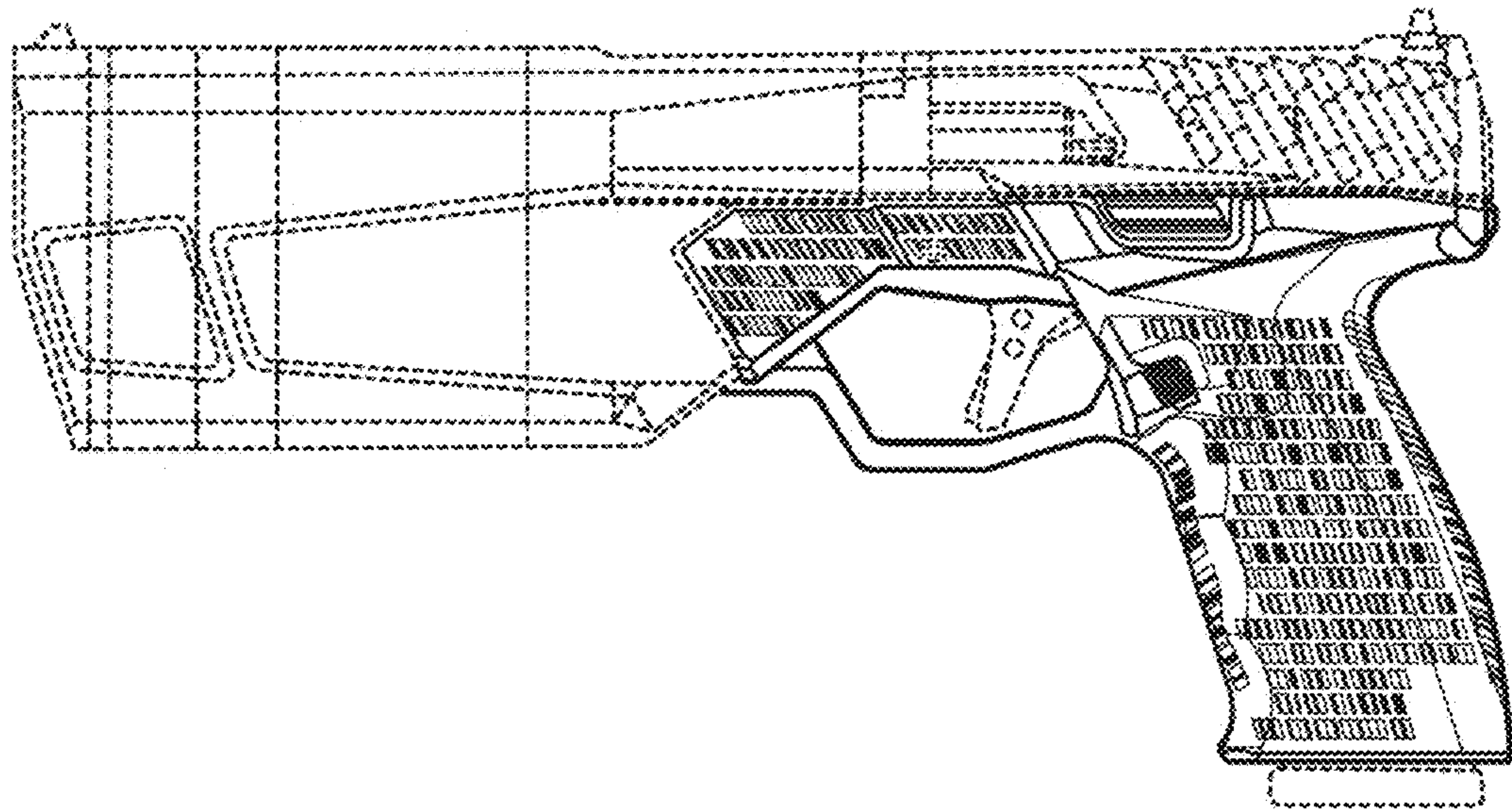


FIG. 3

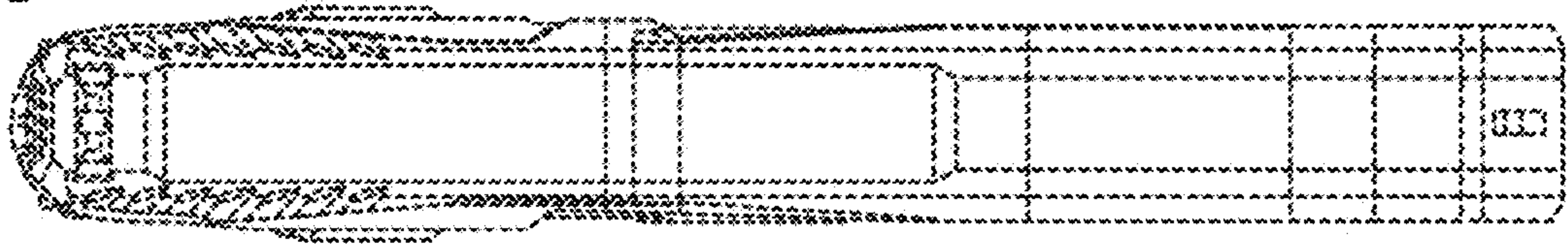


FIG. 4

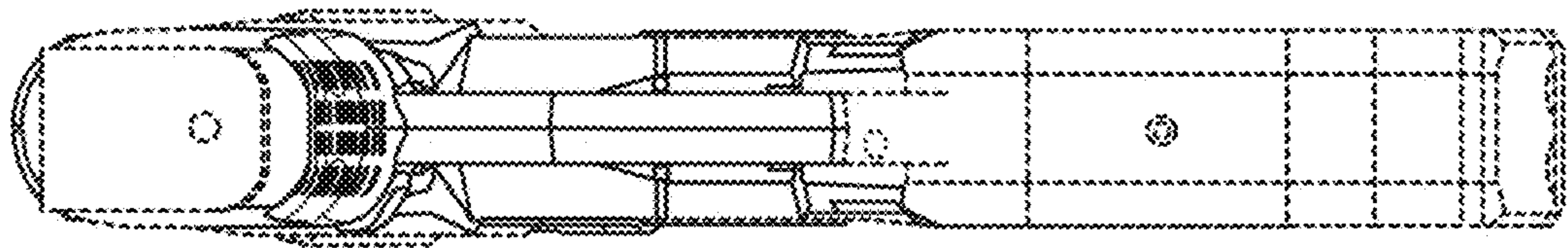


FIG. 5

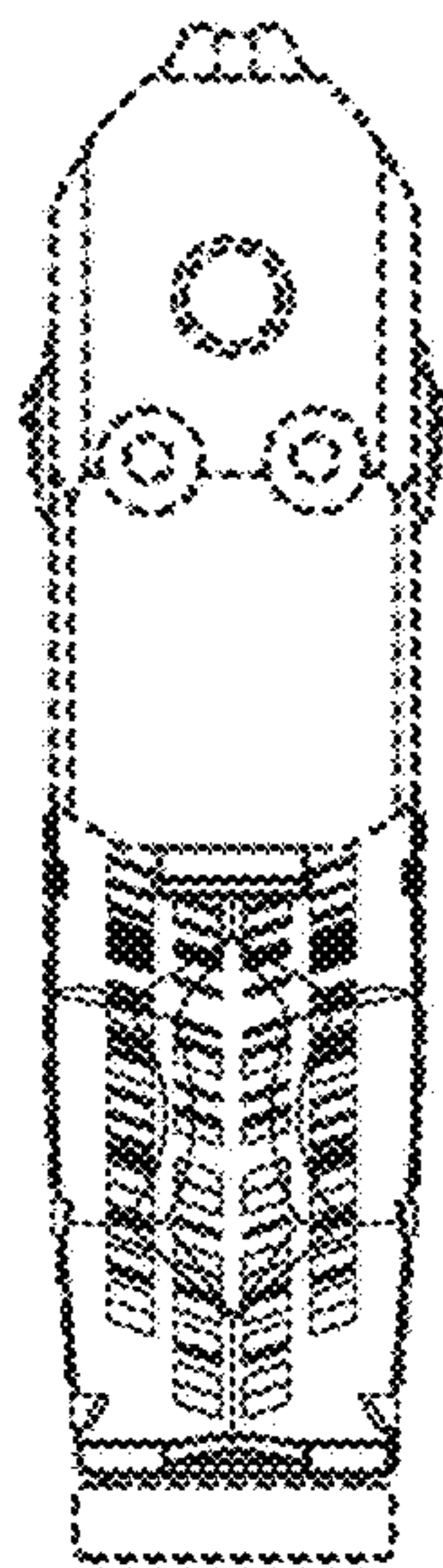


FIG. 6

