



US00D876560S

(12) **United States Design Patent** (10) **Patent No.:** **US D876,560 S**  
**Jones et al.** (45) **Date of Patent:** **\*\* \*Feb. 25, 2020**

(54) **GOLF TEE**  
(71) Applicant: **SIMION THOMAS LIMITED**,  
Manchester (GB)  
(72) Inventors: **Peter Thomas Jones**, Oldham (GB);  
**Simion Baxter-Cox**, Oldham (GB)

5,211,395 A \* 5/1993 Liao ..... A63B 57/207  
473/391  
D382,929 S \* 8/1997 DeBlieux ..... D21/717  
D385,940 S \* 11/1997 Justice ..... A63B 57/207  
D21/794  
D487,788 S \* 3/2004 Impellizeri ..... A63B 57/10  
D21/793

(Continued)

(73) Assignee: **Simion Thomas Limited**, Manchester  
(GB)

**FOREIGN PATENT DOCUMENTS**

GB 4021061 7/2011  
GB 4032551 11/2013

(\* ) Notice: This patent is subject to a terminal dis-  
claimer.

**OTHER PUBLICATIONS**

(\*\*) Term: **15 Years**

Tee-Fork is a tee-riffic idea, by Manchester Evening News, pub-  
lished Mar. 7, 2012 [retrieved on Feb. 25, 2019]. Retrieved from the  
internet: <URL: https://www.manchestereveningnews.co.uk/business/  
innovation/tee-fork-is-a-tee-riffic-idea-683700> (Year: 2012).\*

(21) Appl. No.: **35/504,831**

(Continued)

(22) Filed: **Mar. 13, 2018**

(80) **Hague Agreement Data**

Int. Filing Date: **Mar. 13, 2018**  
Int. Reg. No.: **DM/100751**  
Int. Reg. Date: **Mar. 13, 2018**  
Int. Reg. Pub. Date: **May 4, 2018**

*Primary Examiner* — George D. Kirschbaum  
*Assistant Examiner* — Joseph J Kukella  
(74) *Attorney, Agent, or Firm* — Tarolli, Sundheim,  
Covell & Tummino LLP; John A. Yirga, Esq.

(51) **LOC (12) Cl.** ..... **21-02**

(57) **CLAIM**

(52) **U.S. Cl.**  
USPC ..... **D21/718**

The ornamental design for a golf tee, as shown and  
described.

(58) **Field of Classification Search**  
USPC ..... D21/715, 717, 718, 789, 793, 794, 795,  
D21/796

**DESCRIPTION**

CPC ..... A63B 57/00; A63B 57/50; A63B 57/12;  
A63B 57/16; A63B 57/20; A63B 57/30;  
A63B 57/35; A63B 57/10; A63B 57/19  
See application file for complete search history.

FIG. 1.1 is a front elevation view of a golf tee as illustrated  
in our ornamental design;  
FIG. 1.2 is a left side elevation view thereof;  
FIG. 1.3 is a rear elevation view thereof;  
FIG. 1.4 is a top front perspective view thereof; and  
FIG. 1.5 is a bottom perspective view thereof.

(56) **References Cited**

**U.S. PATENT DOCUMENTS**

D230,409 S \* 2/1974 Schaffer ..... 473/402  
D308,713 S \* 6/1990 Sherry ..... D21/793  
D316,286 S \* 4/1991 Johnson ..... D21/718

The undulating line crossing the cylindrical neck of the golf  
tee illustrates a symbolic break in its length. The appearance  
of any portion of the article between the portions of the golf

(Continued)



tee on either side of this symbolic break as well as the symbolic break line itself forms no part of the claimed design.

**1 Claim, 5 Drawing Sheets**

(56)

**References Cited**

U.S. PATENT DOCUMENTS

|                   |        |          |       |                         |
|-------------------|--------|----------|-------|-------------------------|
| D656,212 S *      | 3/2012 | Cherrie  | ..... | D21/717                 |
| D708,286 S *      | 7/2014 | Hinshaw  | ..... | D21/793                 |
| 8,764,587 B2 *    | 7/2014 | Sinanis  | ..... | A63B 57/0037<br>473/387 |
| D775,701 S *      | 1/2017 | Hinshaw  | ..... | A63B 57/0037<br>D21/793 |
| D795,369 S *      | 8/2017 | Buechler | ..... | D21/717                 |
| 2003/0148830 A1 * | 8/2003 | Hsiao    | ..... | A63B 57/10<br>473/387   |

OTHER PUBLICATIONS

One (1) page advertisement illustrating a photograph of golf tees. The advertisement was published more than one (1) year prior to the subject applications filing and priority dates, namely before Sep. 13, 2016. Publisher (unknown), Author (unknown).

One (1) page advertisement illustrating three photographs for packaging for golf tees. The advertisement was published more than one

(1) year prior to the subject applications filing and priority dates, namely before Sep. 13, 2016. Publisher (unknown), Author (unknown), website (unknown).

Two (2) page advertisement illustrating photographs for golf tees. The advertisement was published more than one (1) year prior to the subject applications filing and priority dates, namely before Sep. 13, 2016. Publisher (unknown), Author (unknown).

One (1) page advertisement illustrating golf tees. The advertisement was published more than one (1) year prior to the subject applications filing and priority dates, namely before Sep. 13, 2016. Publisher (unknown), Author (unknown).

Two (2) page advertisement for golf tees. The advertisement was published more than one (1) year prior to the subject applications filing and priority dates, namely before Sep. 13, 2016. Publisher (unknown), Author (unknown).

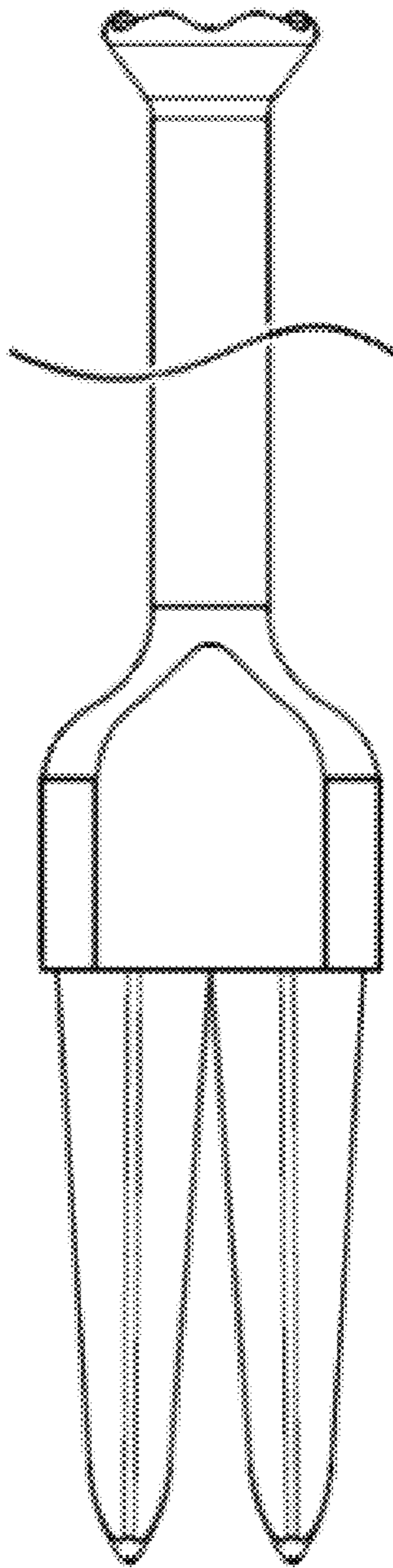
Eight (8) page advertisement for golf tees. The advertisement was published more than one (1) year prior to the subject applications filing and priority dates, namely before Sep. 13, 2016. Publisher (unknown), Author (unknown).

One (1) page advertisement for golf tees. The advertisement was published more than one (1) year prior to the subject applications filing and priority dates, namely before Sep. 13, 2016. Publisher (unknown), Author (unknown).

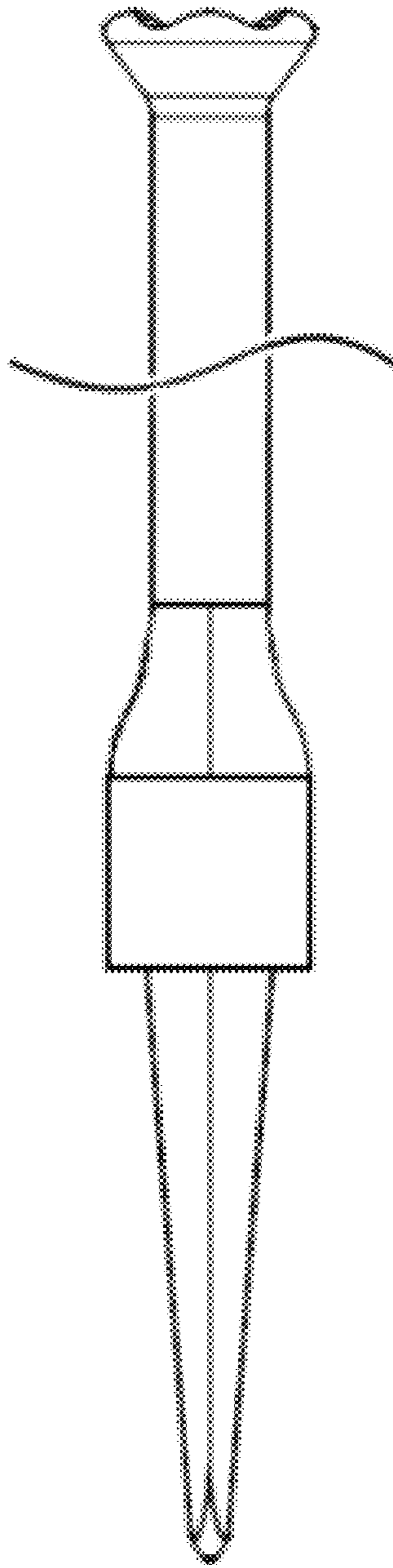
One (1) page advertisement for golf tees shown in two separate photographs. The advertisement was published more than one (1) year prior to the subject applications filing and priority dates, namely before Sep. 13, 2016. Publisher (unknown), Author (unknown).

\* cited by examiner

**1.1**

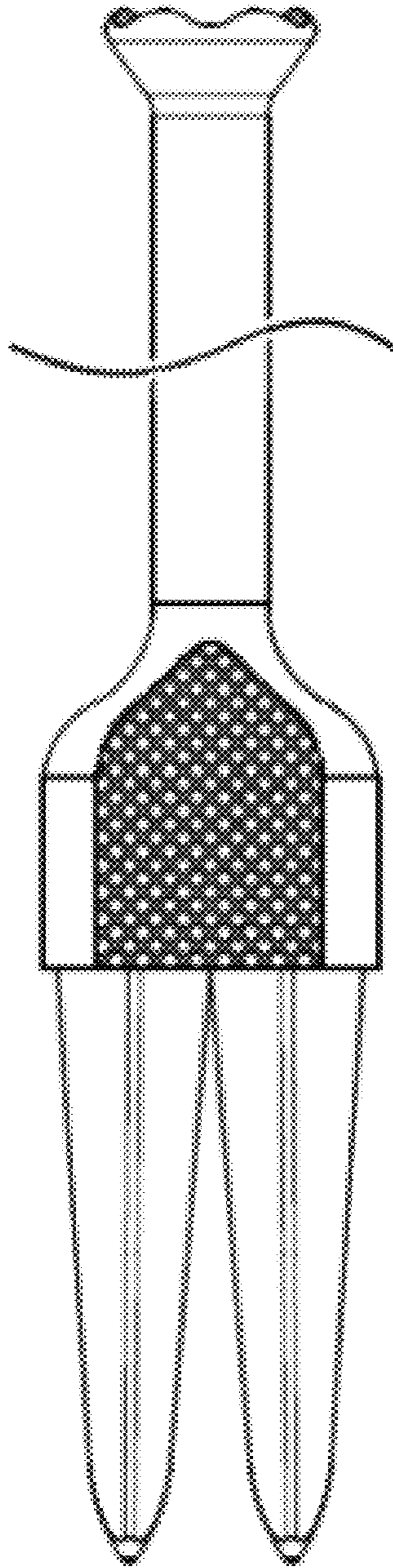


**1.2**

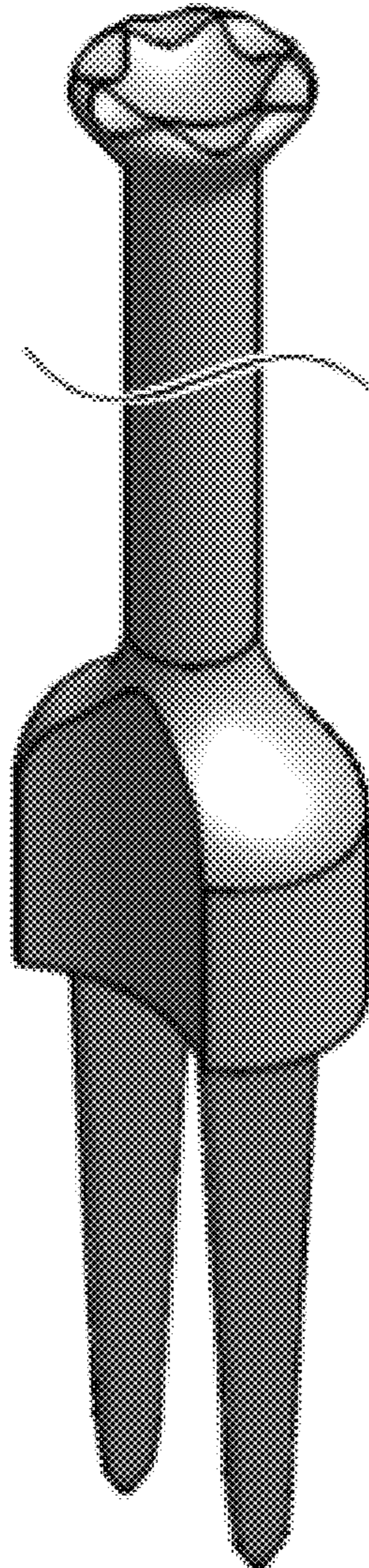




# 1.3



1.4



1.5

