



US00D876556S

(12) **United States Design Patent**
Barajas et al.

(10) **Patent No.:** **US D876,556 S**
(45) **Date of Patent:** **** Feb. 25, 2020**

(54) **FRONT BODY INSERT FOR A MODEL VEHICLE**

D286,998 S * 12/1986 Okumura D12/163
D287,843 S * 1/1987 Katoh D12/163
D289,515 S * 4/1987 Wood, Jr. D12/163

(Continued)

(71) Applicant: **TRAXXAS LP**, McKinney, TX (US)

(72) Inventors: **Jaime Felix Barajas**, Dallas, TX (US);
Jory Sprowl, Wolfe City, TX (US);
Jonathan Scott Wood, Plano, TX (US)

(73) Assignee: **TRAXXAS LP**, McKinney, TX (US)

(**) Term: **15 Years**

(21) Appl. No.: **29/623,961**

(22) Filed: **Oct. 27, 2017**

(51) **LOC (12) Cl.** **21-01**

(52) **U.S. Cl.**
USPC **D21/561**; D12/163; D12/167

(58) **Field of Classification Search**
USPC D12/14, 86, 87, 93, 159, 163-172, 222;
D21/495, 548, 549, 550, 552, 559, 561,
D21/562
CPC A63H 17/26; A63H 17/262; A63H 17/264;
A63H 17/266; A63H 17/36; A63H 17/38;
A63H 29/00; A63H 29/22; A63H 29/24;
A63H 30/04; B62D 21/00; B62D 21/02;
B62D 21/03; B62D 21/10; B62D
21/1833; B62D 39/00; B60K 7/0007;
B60Q 1/0483

See application file for complete search history.

(56) **References Cited**

U.S. PATENT DOCUMENTS

D203,841 S 2/1966 Power
D243,595 S 3/1977 Belz
D251,725 S 5/1979 Cesaro
D253,406 S 11/1979 Carabetta
D254,128 S 2/1980 Carabetta
D277,494 S 2/1985 Lerch
D281,000 S 10/1985 Kuna et al.

OTHER PUBLICATIONS

Hot Wheels Skull Crusher Diecast Toy Car-Race Vehicle by Mattel-Auto Racing Toys Cars Collection, Feb. 22, 2012, [online], [Retrieved on Aug. 10, 2015] URL: <https://www.youtube.com/watch?v=fR1BWC9bqzM>.

(Continued)

Primary Examiner — Manpreet S Matharu

Assistant Examiner — Keith J Wilson

(74) *Attorney, Agent, or Firm* — Daryl R. Wright; Greg Carr

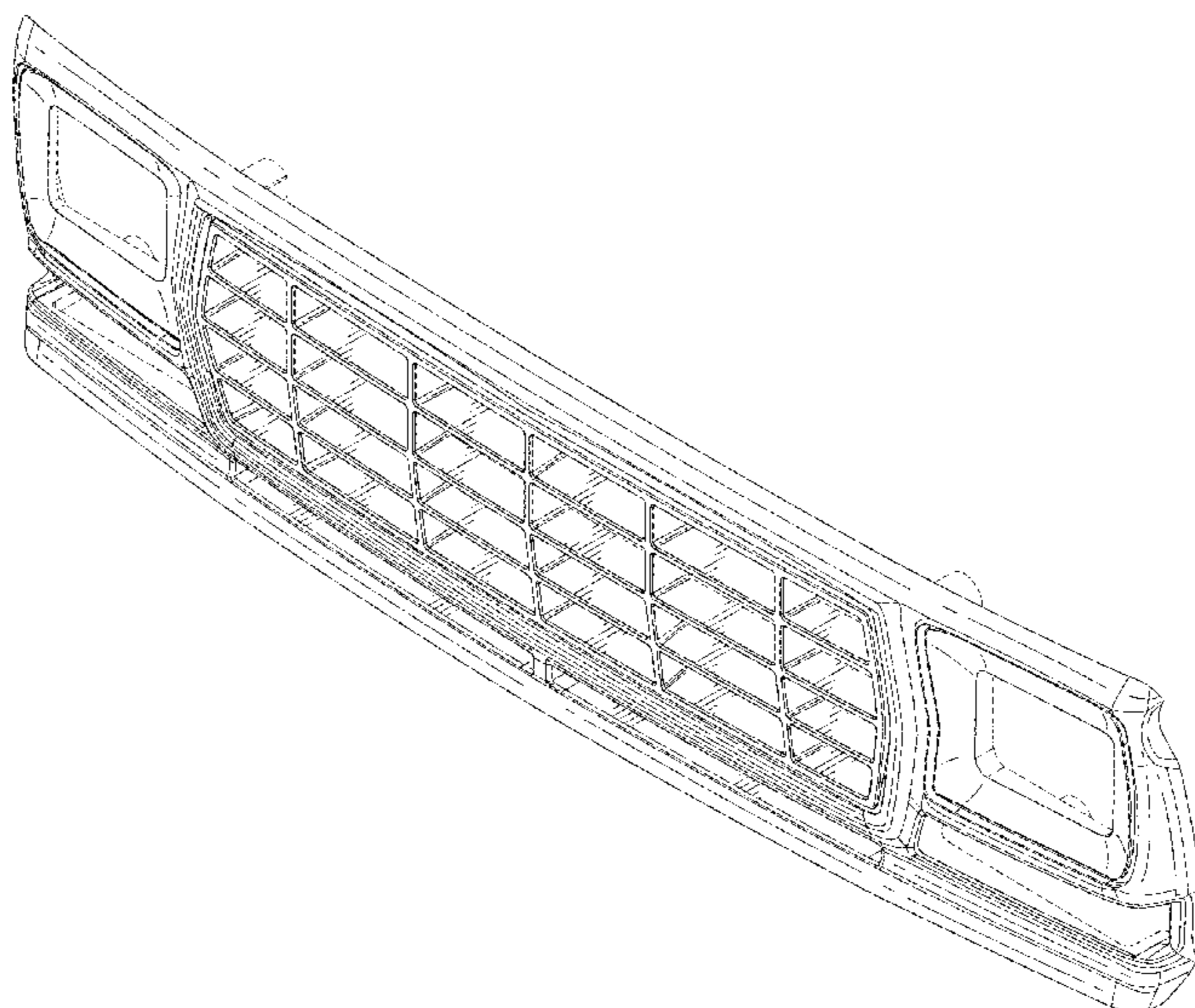
(57) **CLAIM**

We claim the ornamental design for a front body insert for a model vehicle, as shown and described.

DESCRIPTION

FIG. 1 is a top, left, front perspective view of a front body insert for a model vehicle;
FIG. 2 is front elevation view thereof;
FIG. 3 is a rear elevation view thereof;
FIG. 4 is a left side elevation view thereof;
FIG. 5 is a right side elevation view thereof;
FIG. 6 is a top plan view thereof;
FIG. 7 is a bottom plan view thereof;
FIG. 8 is a top, left, rear perspective view; and,
FIG. 9 is a top, left, front perspective environmental view.
In the drawings, the broken line showing of features of the front body insert for a model vehicle illustrate portions of the front body insert for a model vehicle that form no part of the claimed design; whereas, the broken line showing of the environmental view depicts environmental subject matter and is provided for the purposes of illustrating environmental structure and context.

1 Claim, 6 Drawing Sheets



(56)

References Cited

U.S. PATENT DOCUMENTS

D293,095 S * 12/1987 Ienaga D12/163
 D293,310 S 12/1987 Clark et al.
 D298,426 S * 11/1988 Kikuchi D12/163
 D307,248 S 4/1990 Dettling
 5,102,367 A 4/1992 Mullaney et al.
 5,228,880 A 7/1993 Meyer et al.
 5,334,078 A 8/1994 Hippely et al.
 D385,245 S 10/1997 Gallitzendoerfer et al.
 D404,691 S 1/1999 Gerisch et al.
 D425,141 S 5/2000 Park
 D458,188 S 6/2002 Wyszogrod et al.
 D496,409 S 9/2004 Tilbor
 D529,967 S 10/2006 Bowen et al.
 D538,861 S 3/2007 Takahashi
 7,217,170 B2 5/2007 Moll et al.
 D547,249 S 7/2007 Kurtz et al.
 D550,311 S 9/2007 Chen
 D566,788 S 4/2008 Pasko
 D566,789 S 4/2008 Idiot
 D566,790 S 4/2008 Idiot
 D567,301 S 4/2008 Idiot
 7,387,558 B2 6/2008 Swisher et al.
 D579,823 S 11/2008 Choi
 D592,256 S 5/2009 Yaguchi
 D593,163 S 5/2009 Torres et al.
 D603,295 S 11/2009 Honeycutt et al.
 D605,083 S 12/2009 Manoogian et al.
 D612,767 S 3/2010 Barkan
 D617,851 S 6/2010 Stoddard
 D630,971 S 1/2011 Jung
 D671,454 S 11/2012 Davidson et al.
 8,342,904 B2 1/2013 Torres
 D693,737 S 11/2013 Hammoud et al.
 D707,608 S 6/2014 Smith
 D709,007 S 7/2014 Henry et al.
 D709,008 S 7/2014 Brzustowicz et al.
 D709,009 S 7/2014 Brzustowicz et al.
 D722,927 S 2/2015 Schroeder et al.
 D726,605 S 4/2015 Schroeder
 D728,037 S 4/2015 Barajas et al.
 D741,233 S 10/2015 Glover et al.
 D741,416 S 10/2015 Barajas et al.
 D741,956 S 10/2015 Barajas et al.
 D742,796 S * 11/2015 Loeb D12/163
 D744,384 S 12/2015 Harriton
 D744,386 S 12/2015 Harriton
 D744,387 S 12/2015 Harriton
 D749,995 S 2/2016 Azadi et al.
 D760,133 S 6/2016 Bennett et al.
 D769,378 S 10/2016 Belker et al.
 D770,339 S 11/2016 Lindsey
 D770,350 S 11/2016 Lindsey
 D770,575 S 11/2016 Belker et al.
 D771,202 S 11/2016 Gan

D771,203 S 11/2016 Gan
 D775,013 S 12/2016 Bennett et al.
 D775,016 S 12/2016 Reynolds
 D776,582 S 1/2017 Bennett et al.
 D777,618 S 1/2017 Setina
 D777,619 S 1/2017 Barajas et al.
 D780,644 S * 3/2017 Kim D12/163
 D781,193 S 3/2017 McMath
 D785,504 S 5/2017 Higgs
 D786,743 S * 5/2017 Smith D12/163
 D787,988 S * 5/2017 Lee D12/163
 D788,656 S * 6/2017 Svensson D12/163
 D792,526 S 7/2017 Belker et al.
 D792,817 S 7/2017 McMath
 D792,818 S 7/2017 McMath
 D793,304 S 8/2017 McMath
 D794,519 S 8/2017 McMath
 D796,399 S 9/2017 Steen
 D800,036 S 10/2017 Bennett et al.
 D800,226 S 10/2017 Zeng
 D801,892 S 11/2017 Drever
 D802,685 S 11/2017 Barajas et al.
 D813,732 S * 3/2018 Whitla D12/163
 D815,570 S * 4/2018 McMahan D12/163
 D815,994 S * 4/2018 Nakamura D12/163
 D819,504 S * 6/2018 Lalo D12/163
 D819,505 S * 6/2018 McMahan D12/163
 D819,507 S * 6/2018 Bridan D12/163
 D824,811 S * 8/2018 Mainville D12/163
 D824,812 S * 8/2018 Loeb D12/163
 D824,814 S * 8/2018 Heyde D12/163
 D825,403 S * 8/2018 Whitla D12/163
 D825,404 S * 8/2018 Bucher D12/163
 D826,341 S 8/2018 Poteet et al.
 D826,342 S 8/2018 Poteet et al.
 D826,343 S 8/2018 Poteet et al.
 D827,056 S 8/2018 Poteet et al.
 D827,513 S * 9/2018 Gueler D12/163
 D836,502 S * 12/2018 Koo D12/163
 D836,503 S * 12/2018 Koo D12/163
 D837,700 S * 1/2019 Gueler D12/163
 D840,283 S * 2/2019 Platto D12/163
 D840,284 S * 2/2019 Platto D12/163
 D840,881 S * 2/2019 Zhang D12/163
 D841,743 S 2/2019 Barajas et al.
 D842,386 S 3/2019 Barajas et al.
 D842,387 S 3/2019 Barajas et al.
 2017/0088076 A1 3/2017 Fujimoto et al.
 2017/0247014 A1 8/2017 Farooq et al.
 2017/0349227 A1 12/2017 Spindler et al.

OTHER PUBLICATIONS

PROTOform; Protoform Ford GT 2017; <http://racepf.com/on-road-1-10-1-12/ford-gt-clear-body/>; Sep. 2016.

* cited by examiner

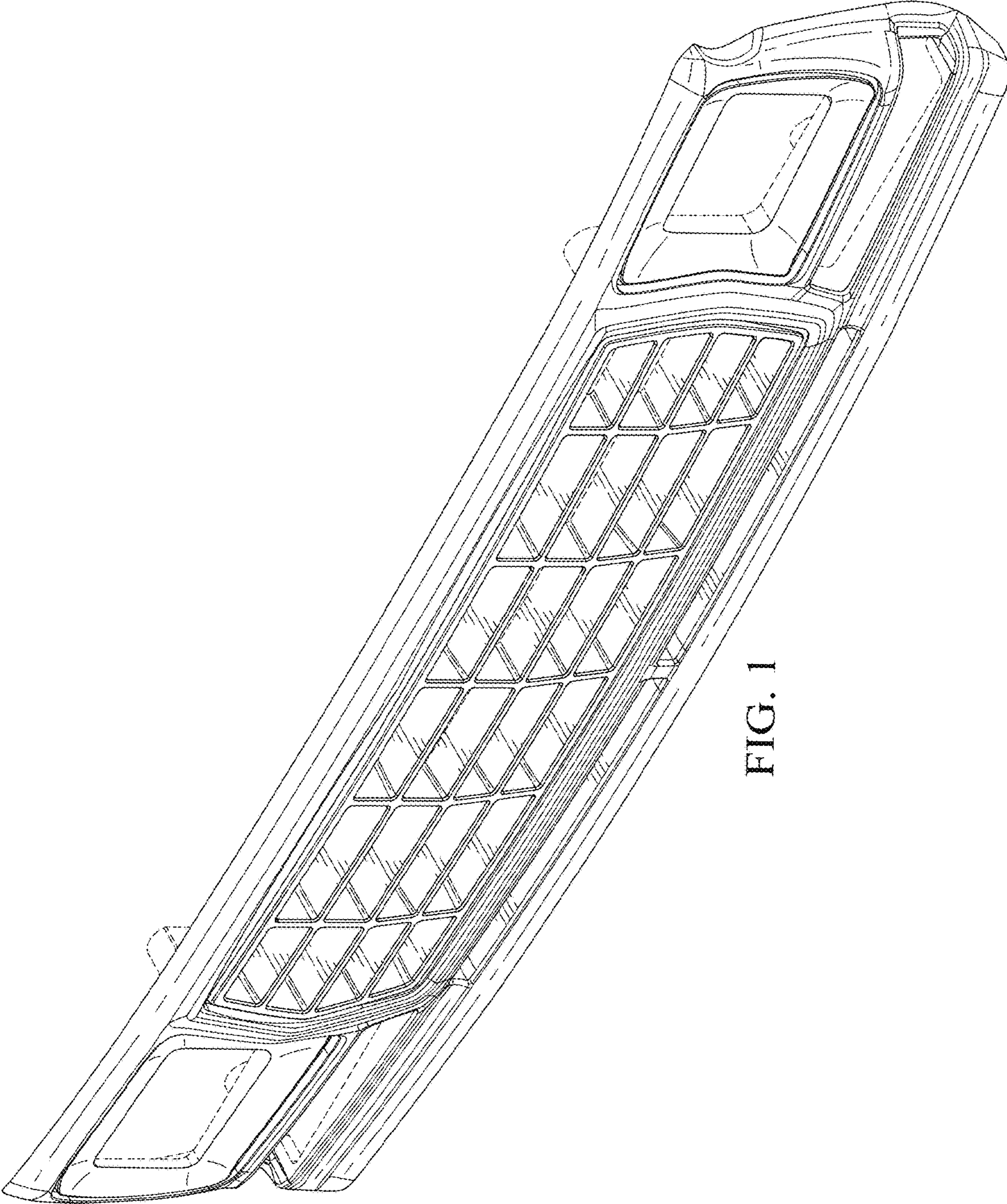


FIG. 1

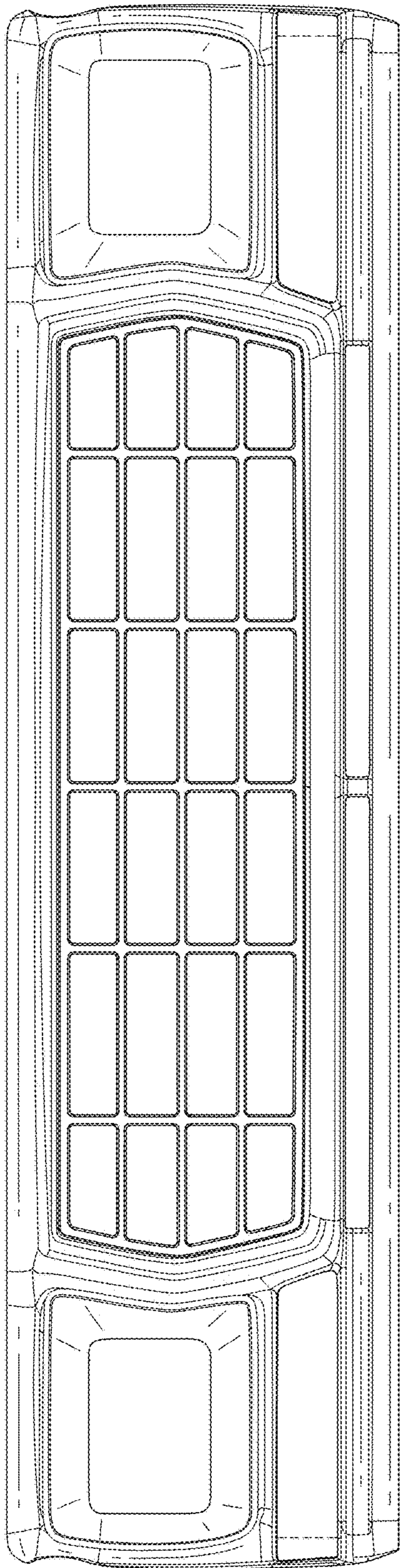


FIG. 2

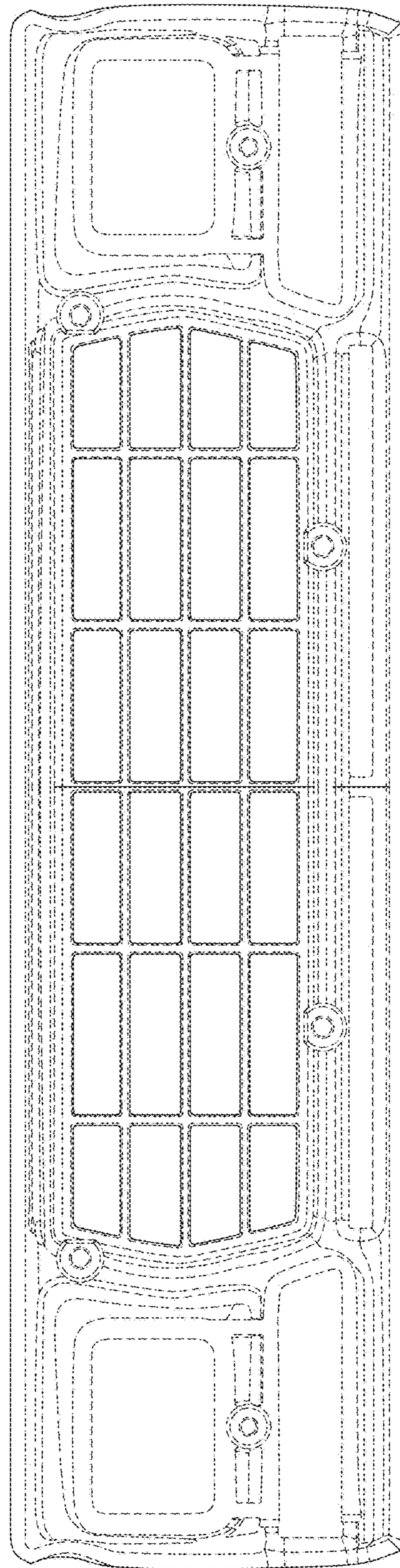


FIG. 3

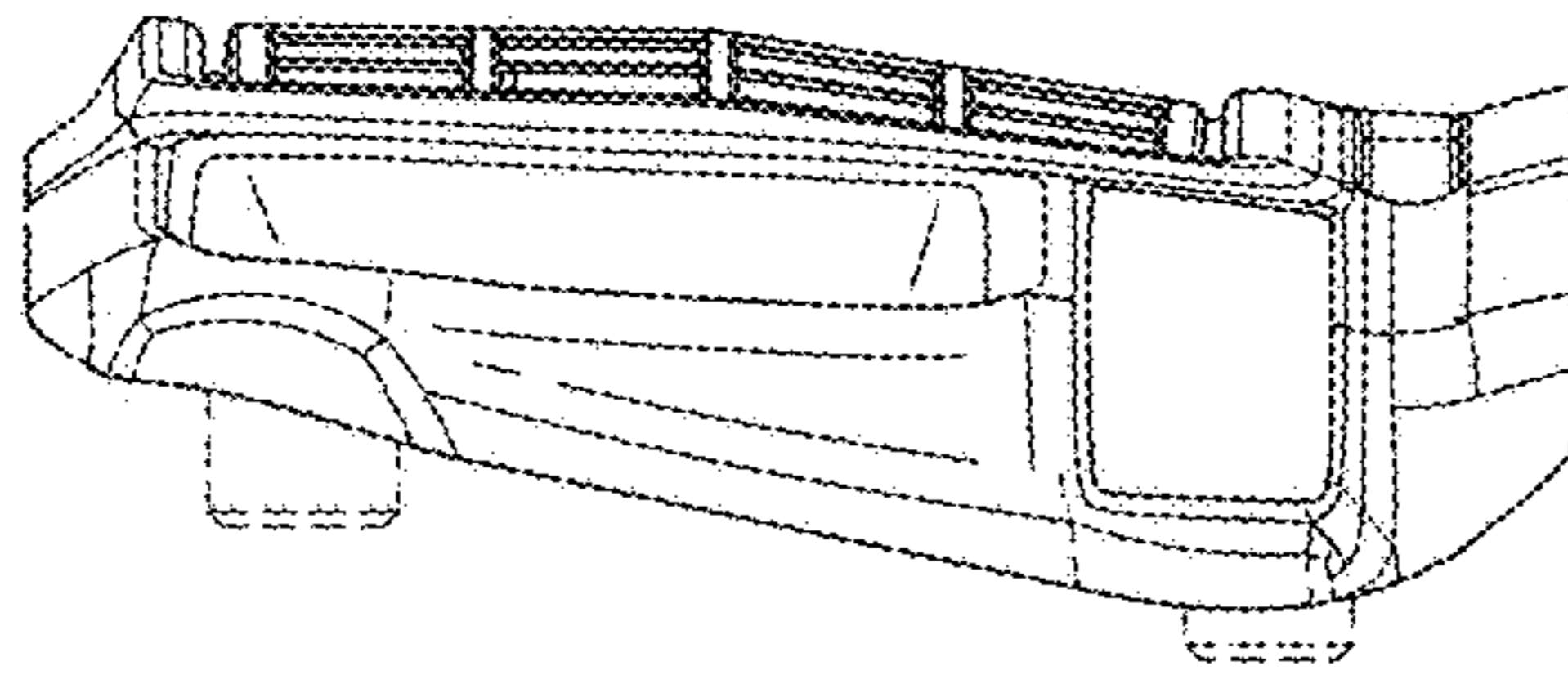


FIG. 5

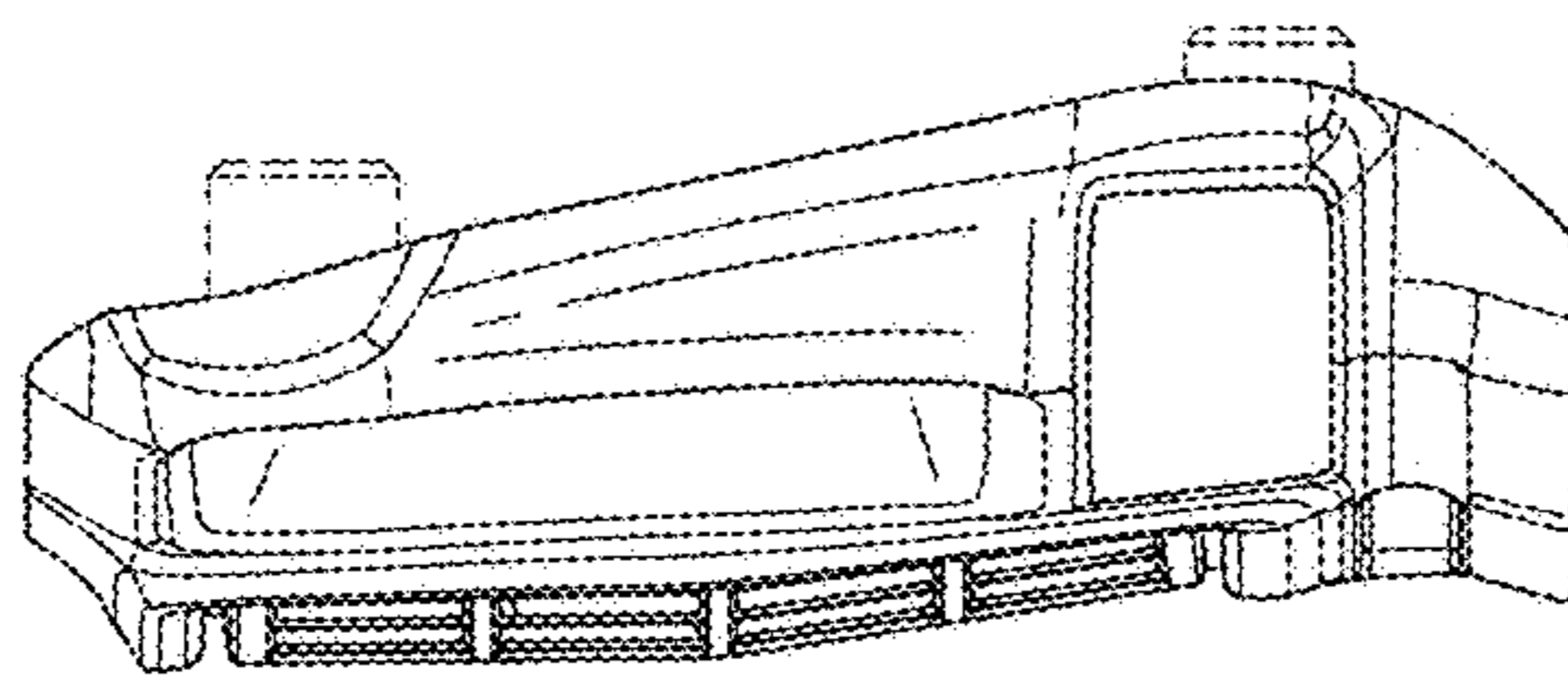


FIG. 4

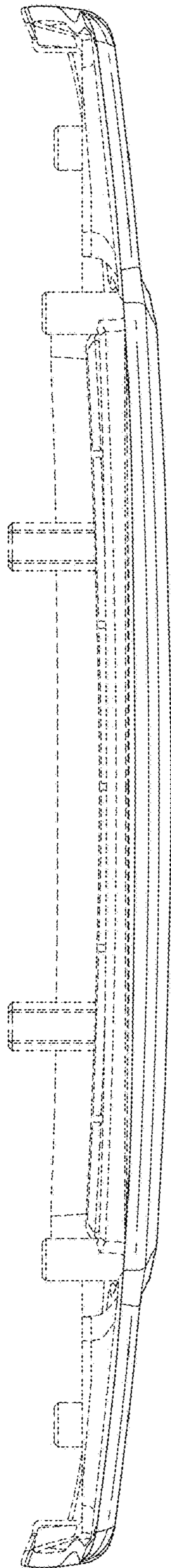


FIG. 6

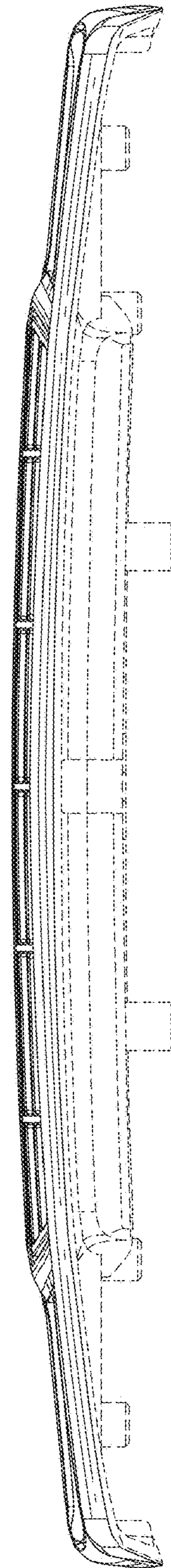


FIG. 7

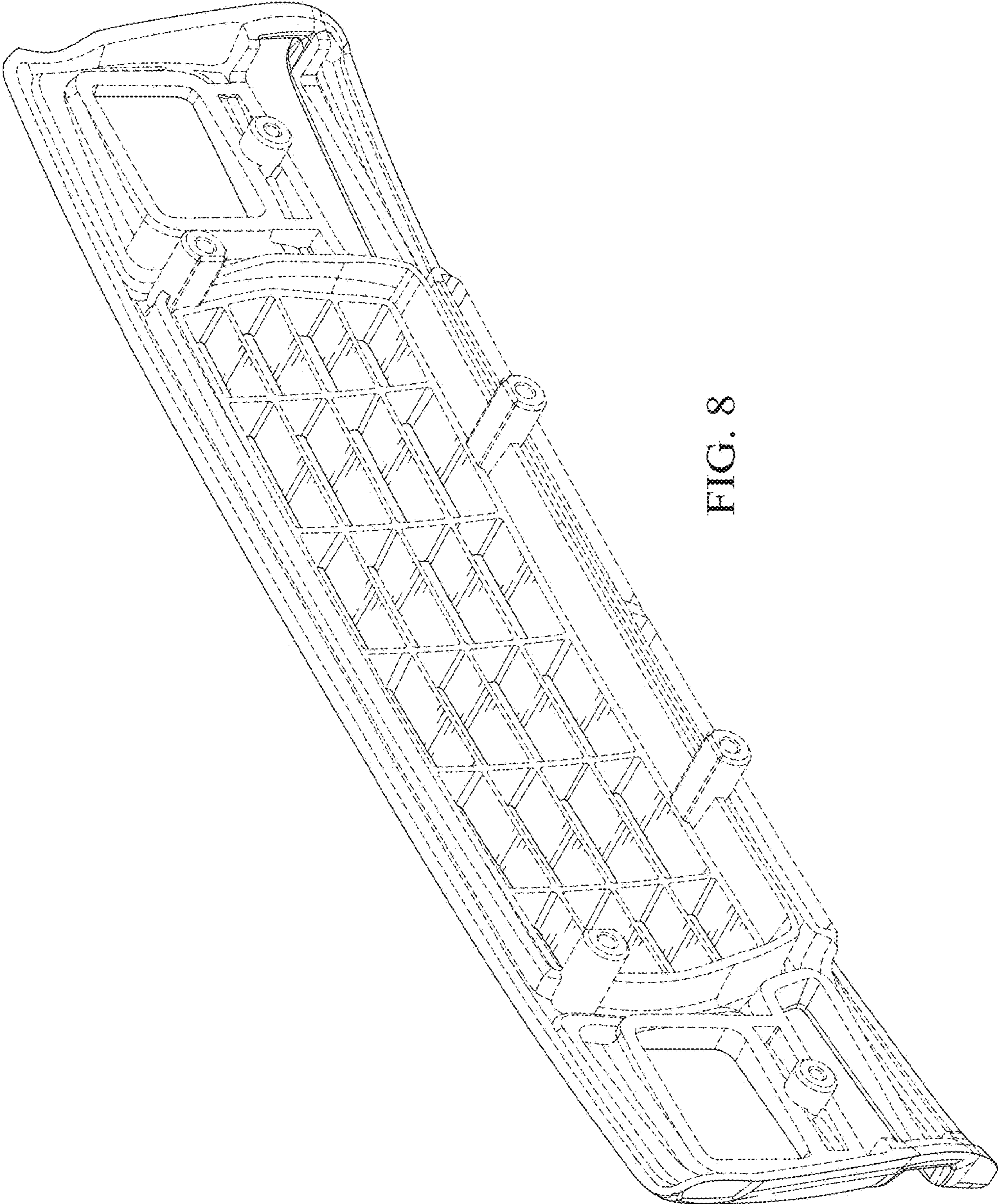


FIG. 8

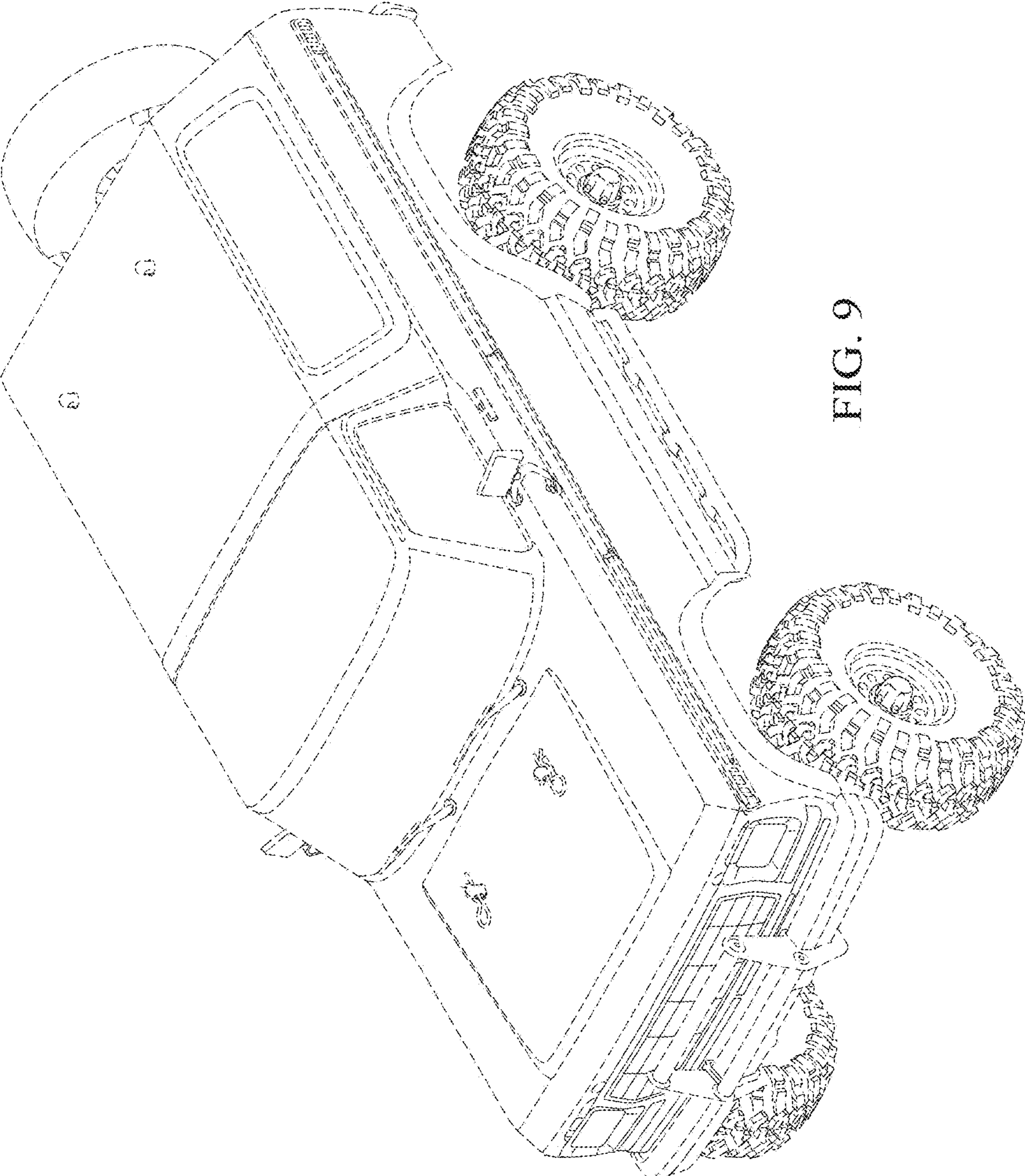


FIG. 9