



US00D87655S

(12) **United States Design Patent**
Barajas et al.

(10) **Patent No.:** **US D876,555 S**

(45) **Date of Patent:** **** Feb. 25, 2020**

(54) **VEHICLE BODY FOR A MODEL VEHICLE**

(71) Applicant: **TRAXXAS LP**, McKinney, TX (US)

(72) Inventors: **Jaime Felix Barajas**, Dallas, TX (US);
Adam Cole Ewing, McKinney, TX
(US); **Otto Karl Allmendinger**,
Rowlett, TX (US); **Kent Poteet**, Lucas,
TX (US)

(73) Assignee: **TRAXXAS LP**, McKinney, TX (US)

(**) Term: **15 Years**

(21) Appl. No.: **29/661,517**

(22) Filed: **Aug. 28, 2018**

(51) **LOC (12) Cl.** **21-01**

(52) **U.S. Cl.**
USPC **D21/548**; D12/86

(58) **Field of Classification Search**
USPC D12/86, 90–92, 88, 98; D21/424, 433,
D21/434, 533, 548–550, 559, 562;
296/181.1, 181.5, 181.3, 183.1, 37.6;
446/448

CPC B60R 9/06; B62D 35/00; B60C 2200/20;
B62B 5/0033; A63H 17/26; A63H
17/162; A63H 17/264; A63H 17/38;
A63H 29/00

See application file for complete search history.

(56) **References Cited**

U.S. PATENT DOCUMENTS

D277,494 S *	2/1985	Lerch	D21/559
D281,000 S *	10/1985	Kuna	D21/559
D307,248 S *	4/1990	Dettling	D12/91
D407,997 S *	4/1999	Sacco	D12/92
D437,309 S *	2/2001	Brennan	D12/92
D473,831 S	4/2003	Saleen		
D488,113 S	4/2004	Nelson		
D496,409 S	9/2004	Tilbor		
D535,598 S	1/2007	Murkett		

D535,708 S	1/2007	Yuen
7,175,229 B2	2/2007	Garcia
D547,249 S	7/2007	Kurtz et al.
D566,789 S	4/2008	Idiot
D566,790 S	4/2008	Idiot
D567,301 S	4/2008	Idiot
D577,314 S	9/2008	Dockery et al.
D603,295 S	11/2009	Honeycutt et al.
D605,083 S	12/2009	Manoogian, II et al.
D612,767 S	3/2010	Barkan
D656,439 S	3/2012	Saracoglu

(Continued)

OTHER PUBLICATIONS

Amazon.com. “Traxxas TRA6721 Wing, Rustler 4x4 (Black)” First reviewed Aug. 23, 2019. Retrieved Sep. 22, 2019. (<https://www.amazon.com/Traxxas-TRA6721-Rustler-Black-3x8mm/dp/B07HJHBM85/>).

Primary Examiner — Melody N Brown

(74) *Attorney, Agent, or Firm* — Daryl R. Wright; Greg Carr

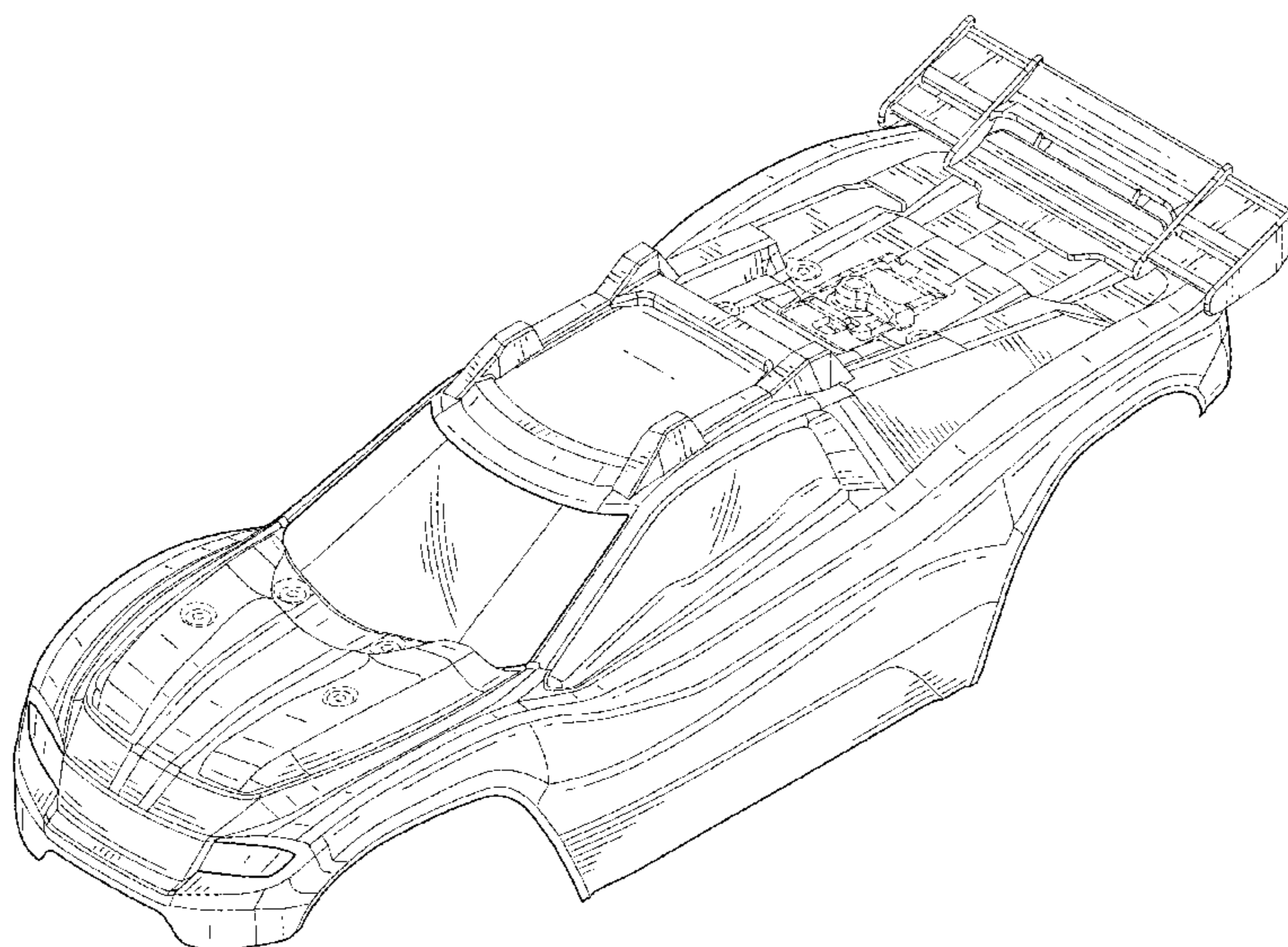
(57) **CLAIM**

We claim the ornamental design for a vehicle body for a model vehicle, as shown and described.

DESCRIPTION

FIG. 1 is a top, front and left side perspective view of a vehicle body for a model vehicle showing our new design; FIG. 2 is front elevation view thereof; FIG. 3 is a rear elevation view thereof; FIG. 4 is a left side view thereof; FIG. 5 is a right side view thereof; FIG. 6 is a top plan view thereof; FIG. 7 is a bottom plan view thereof; and, FIG. 8 is a top, rear and right side perspective view thereof. The portions of the vehicle shown in broken lines are for environmental and illustrative purposes and form no part of the claimed design.

1 Claim, 7 Drawing Sheets



(56)

References Cited

U.S. PATENT DOCUMENTS

D728,037	S	4/2015	Barajas et al.	
D769,378	S	10/2016	Belker et al.	
D770,575	S	11/2016	Belker et al.	
D771,202	S	11/2016	Gan	
D771,203	S	11/2016	Gan	
D790,402	S *	6/2017	Perini	D12/88
D792,285	S *	7/2017	Manzoni	D12/88
D792,526	S	7/2017	Belker et al.	
D802,685	S	11/2017	Barajas et al.	
9,944,335	B2	4/2018	Shinedling et al.	
D820,166	S *	6/2018	Borkert	D12/92
D821,918	S	7/2018	Seidl	
D823,727	S *	7/2018	Hauser	D12/92
D824,288	S *	7/2018	Hauser	D12/92
D826,784	S *	8/2018	Hauser	D12/92
D862,610	S *	10/2019	Barajas	D21/548
D862,611	S *	10/2019	Barajas	D21/548
2009/0195016	A1	8/2009	Schwan et al.	
2013/0221701	A1	8/2013	De Luca	

* cited by examiner

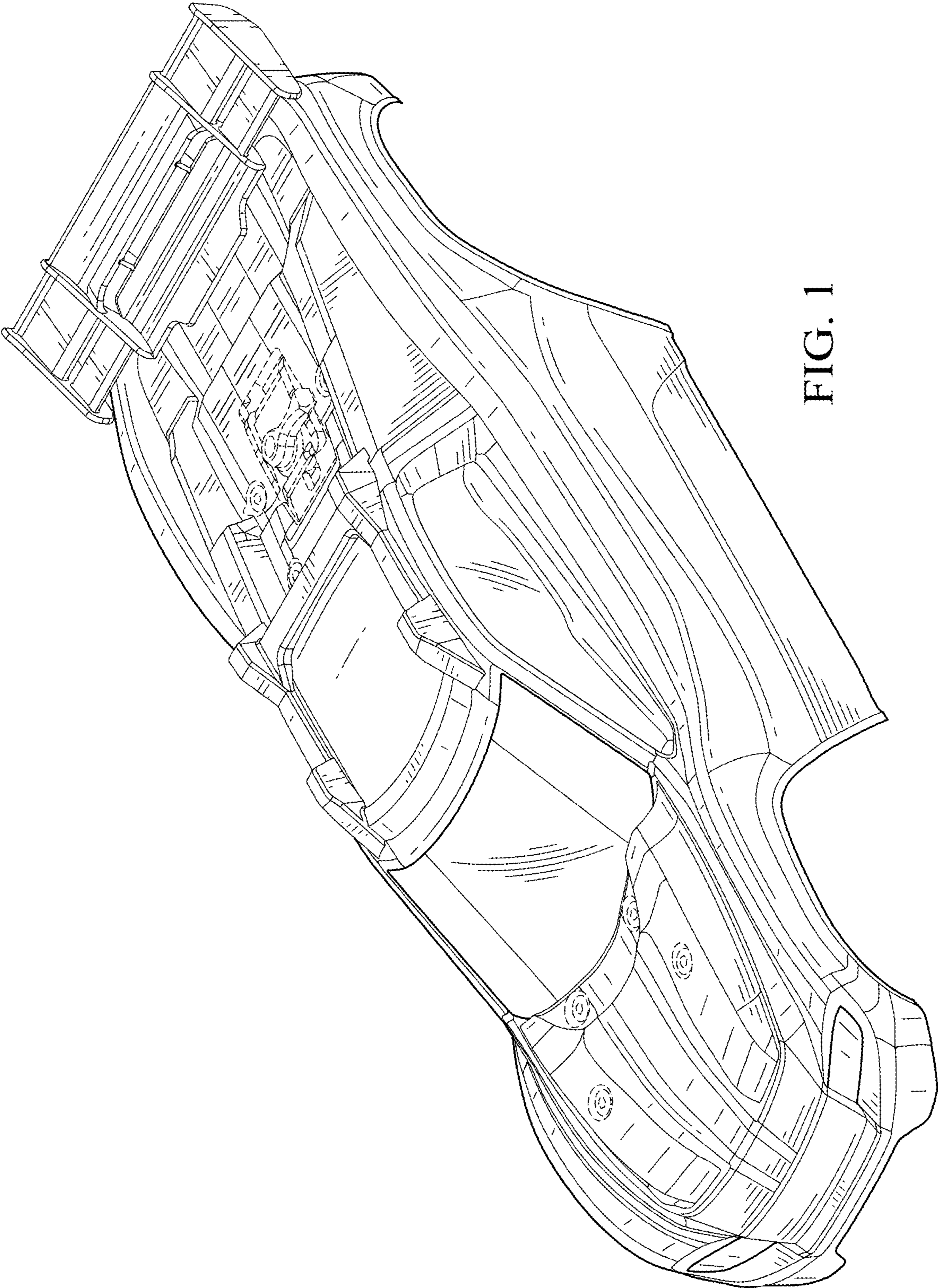


FIG. 1

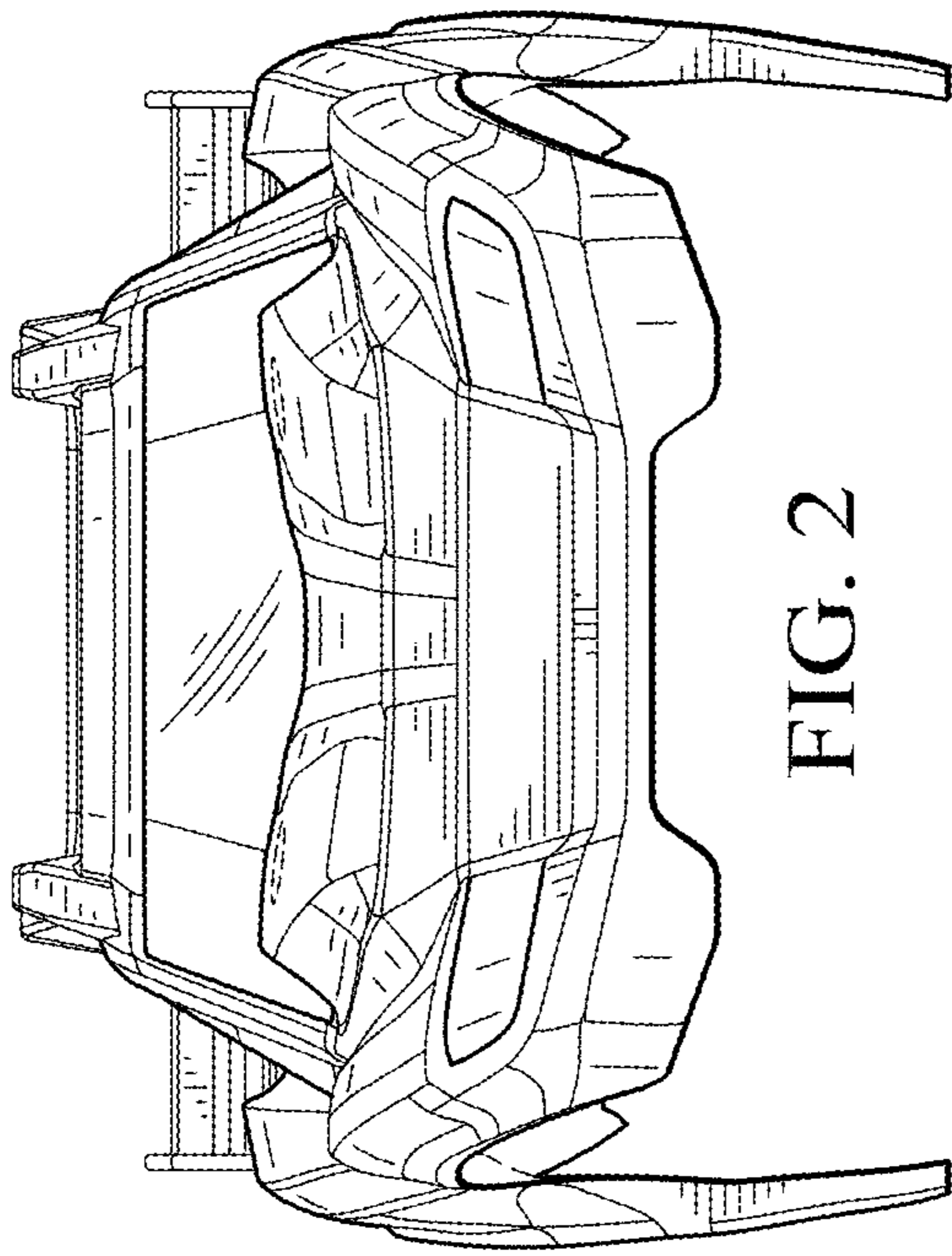


FIG. 2

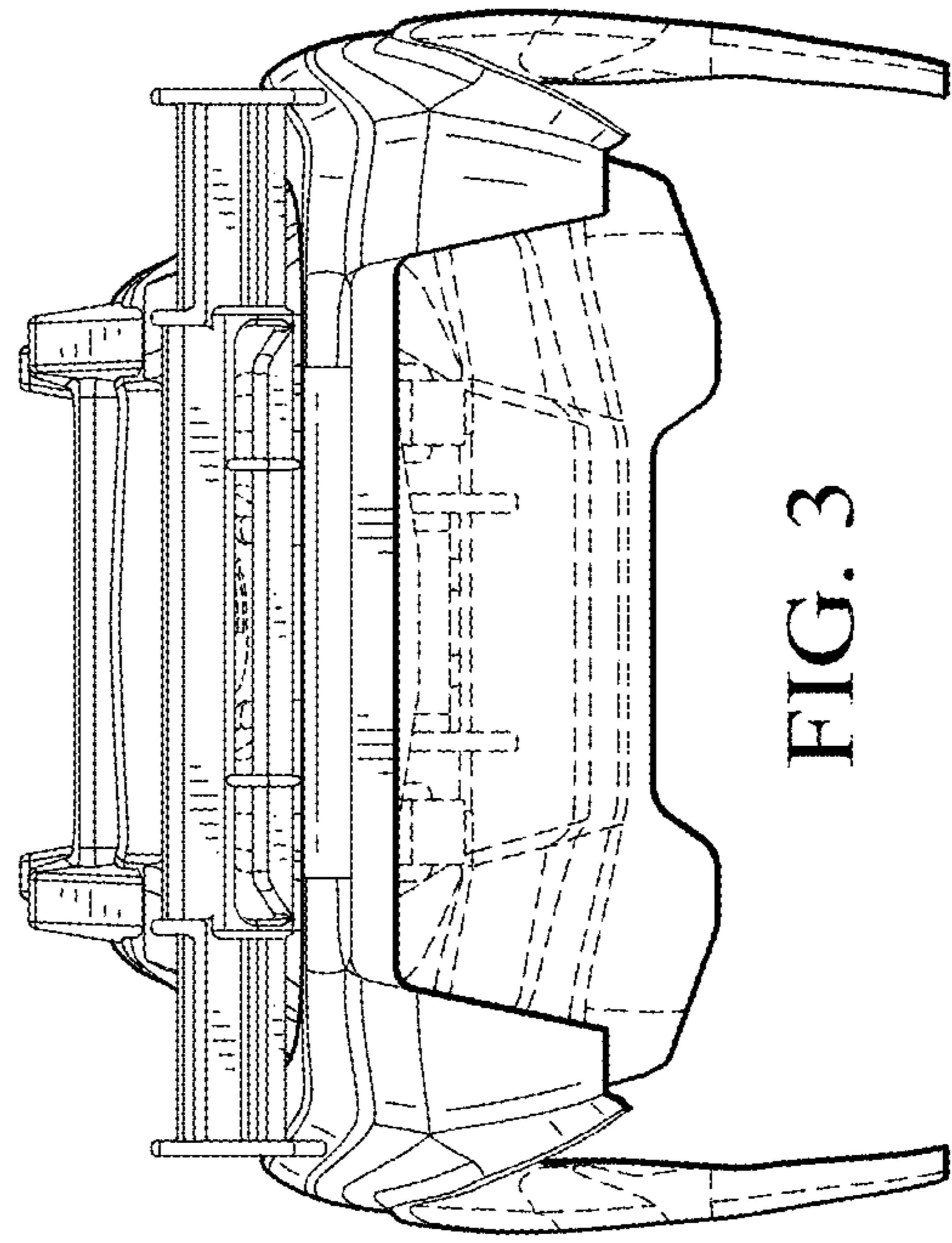


FIG. 3

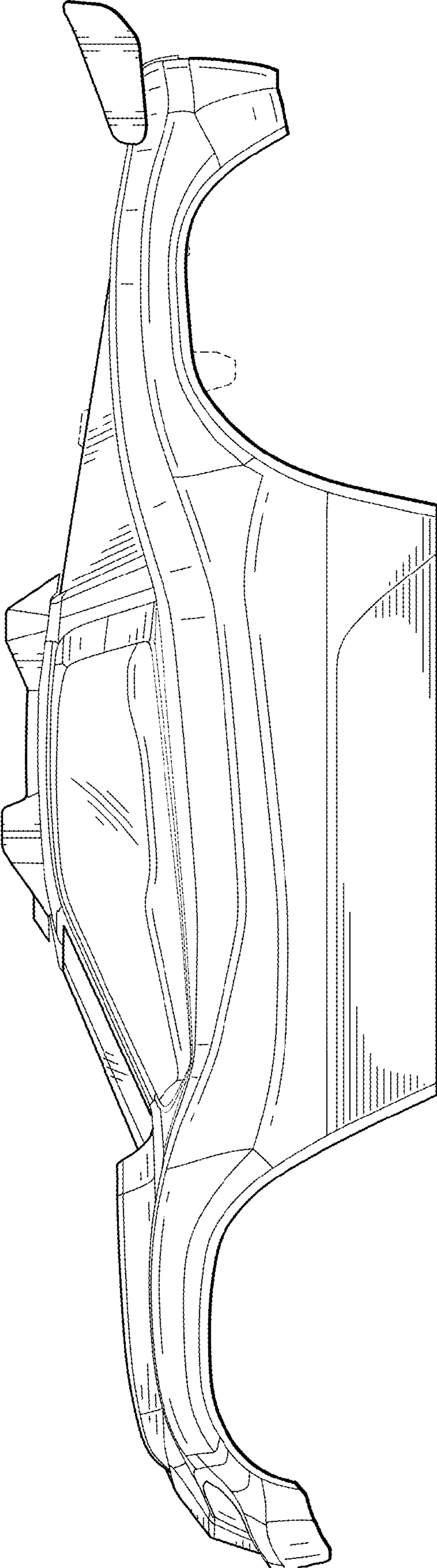


FIG. 4

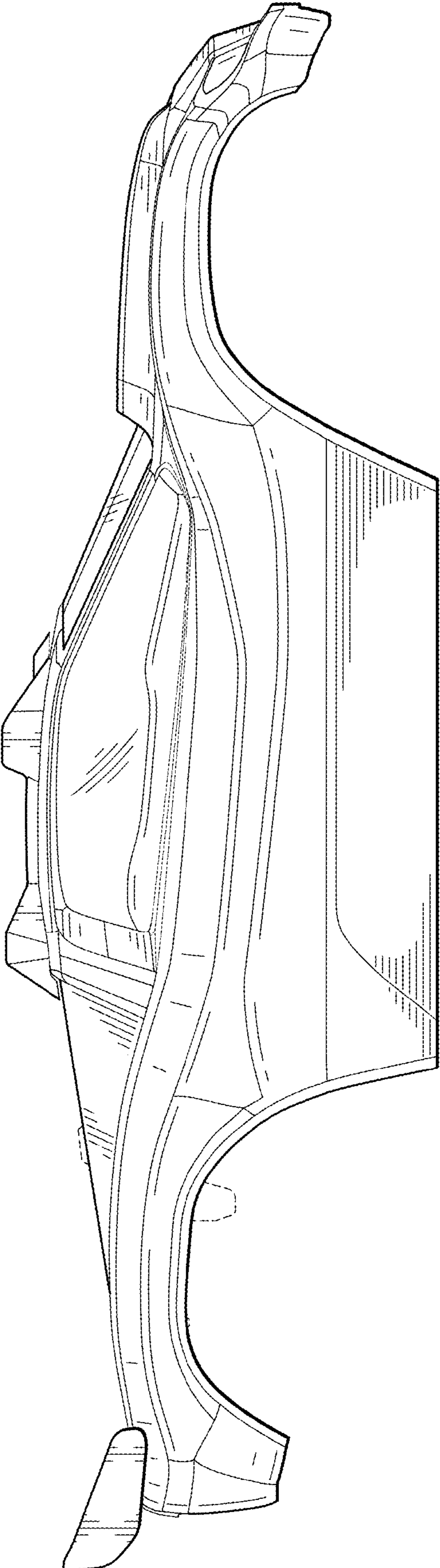


FIG. 5

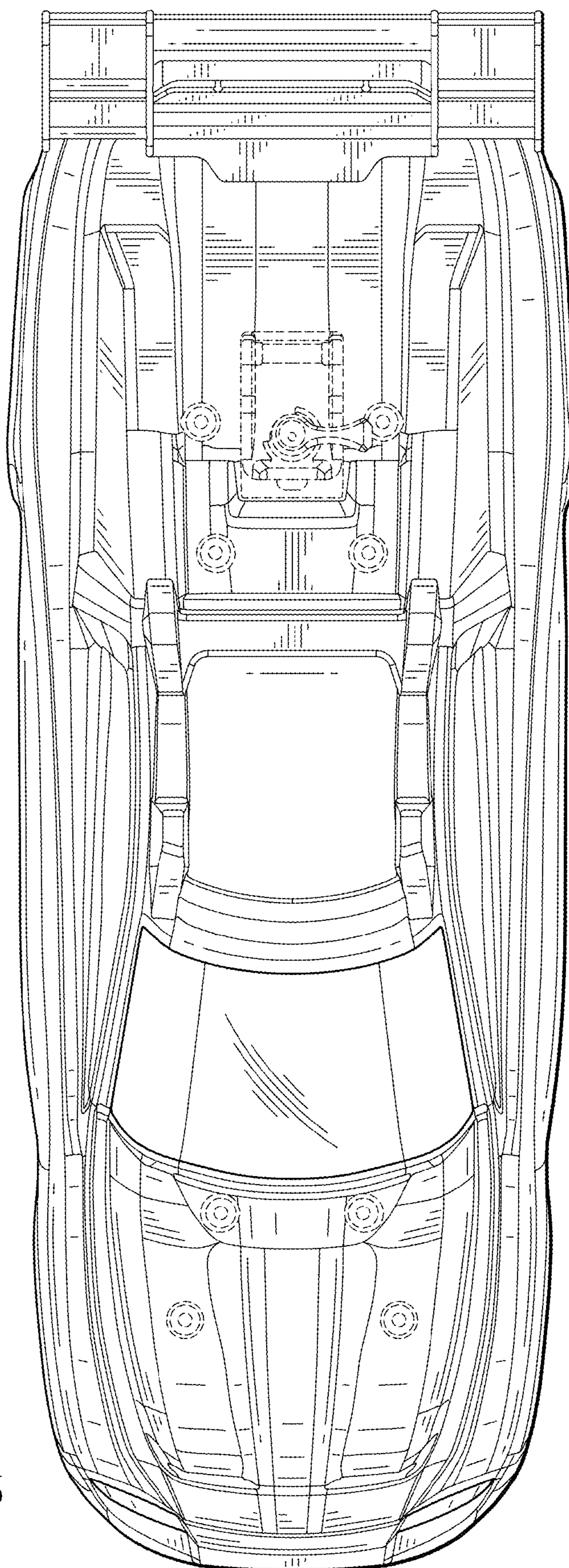


FIG. 6

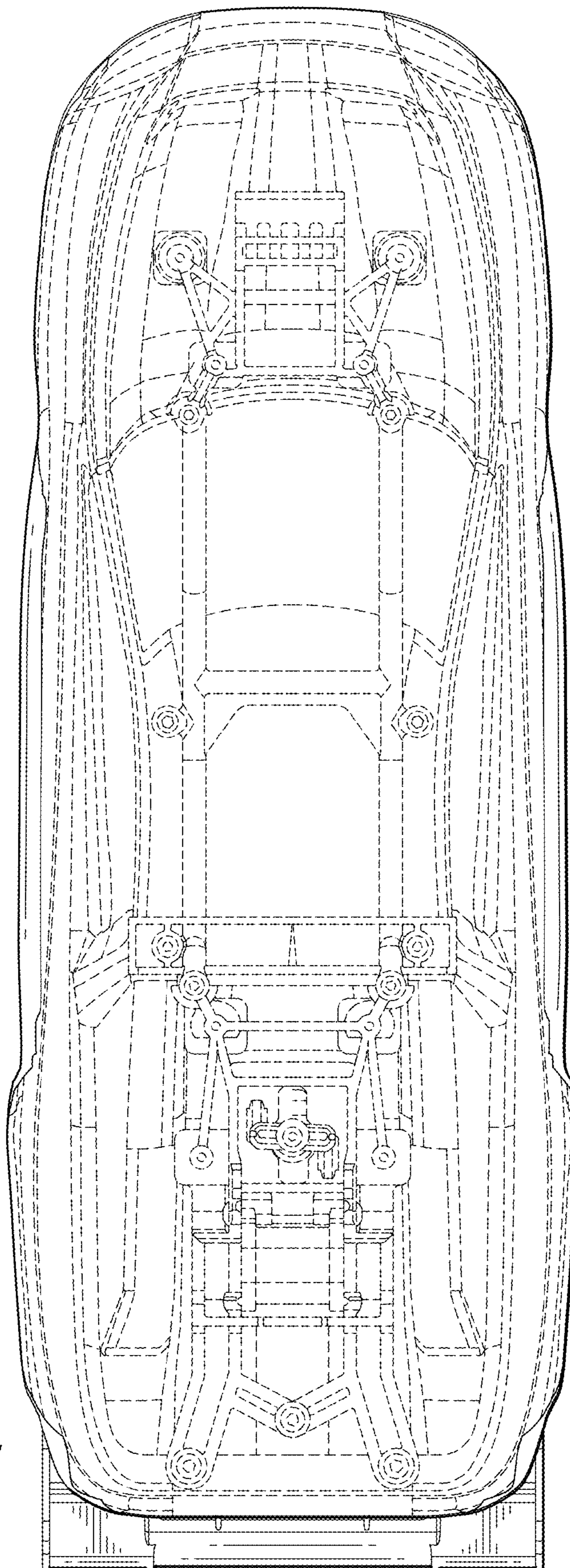


FIG. 7

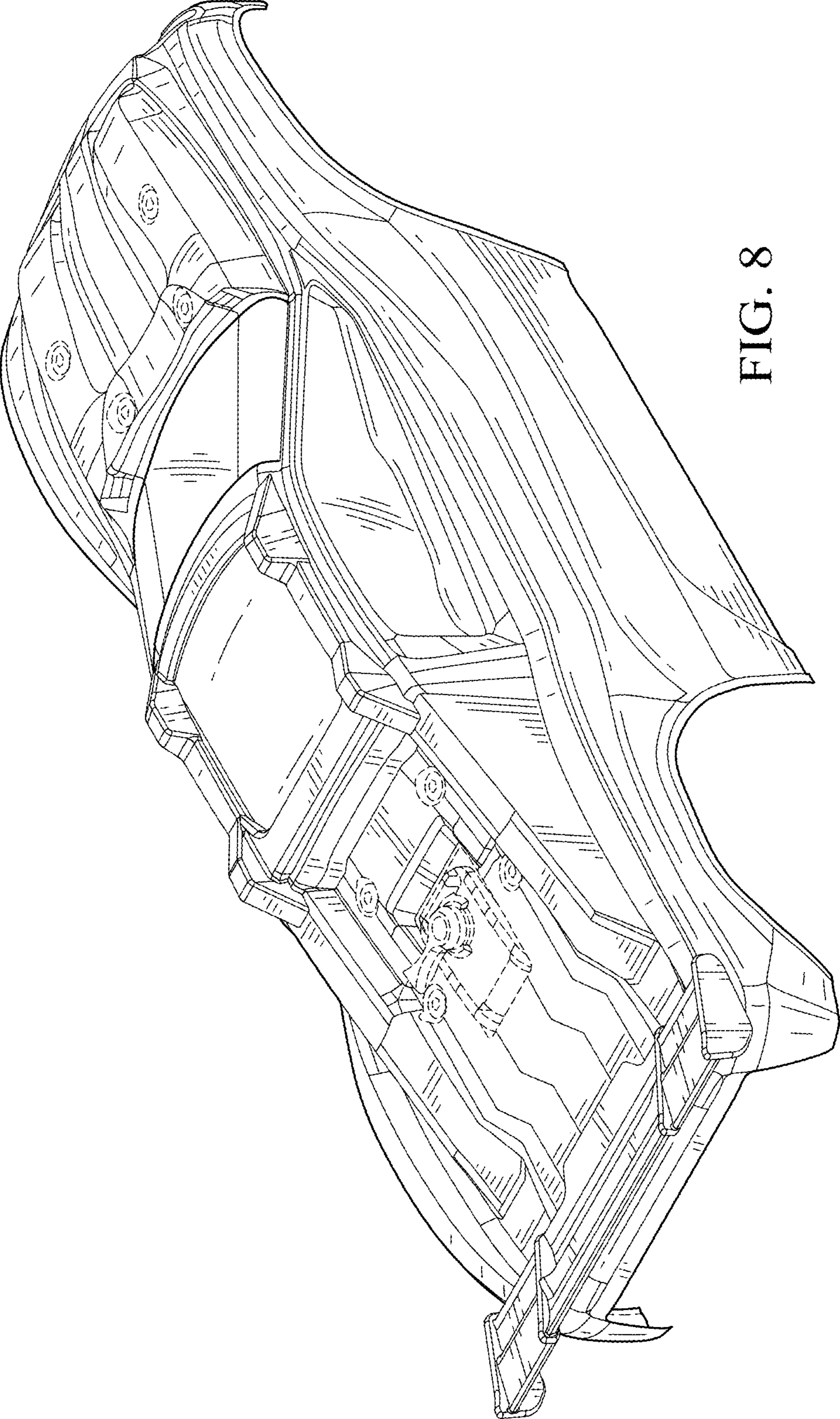


FIG. 8