



US00D876553S

(12) **United States Design Patent** (10) **Patent No.:** **US D876,553 S**
Wu (45) **Date of Patent:** **** Feb. 25, 2020**

(54) **TOY AIRCRAFT**
(71) Applicant: **Apex Toys (Shenzhen) Co., Ltd.**,
Shenzhen (CN)
(72) Inventor: **Yong Wu**, Guangdong (CN)
(73) Assignee: **Apex Toys (Shenzhen) Co., Ltd.**,
Shenzhen (CN)
(**) Term: **15 Years**
(21) Appl. No.: **29/636,185**
(22) Filed: **Feb. 7, 2018**
(51) **LOC (12) Cl.** **21-01**
(52) **U.S. Cl.**
USPC **D21/447**
(58) **Field of Classification Search**
USPC D12/319-345, 1-4, 16.1, 214, 300, 305,
D12/308, 316, 317; D21/436-454;
D30/160
CPC B64C 29/0025; B64C 2201/108; B64C
2201/048; B64C 2201/088; B64C 29/00;
B64C 29/0058; B64C 39/001; B64C
39/024; B64C 39/062; B64C 2201/141;
B64C 27/12
See application file for complete search history.

(56) **References Cited**
U.S. PATENT DOCUMENTS
D97,652 S * 11/1935 Swanson D12/335
D133,634 S * 9/1942 Huzzard 244/13
D136,664 S * 11/1943 White 244/35 R
D143,864 S * 2/1946 Northrop 244/35 R
3,017,139 A * 1/1962 Binder B64C 39/062
244/12.6
D192,583 S * 4/1962 Walker D12/330
3,049,320 A * 8/1962 Fletcher B64C 29/0033
244/12.4
D194,645 S * 2/1963 Raspet 446/230
D197,933 S * 4/1964 Sumner D12/324

D201,284 S * 6/1965 Bross D21/450
3,360,217 A * 12/1967 Trotter B64C 29/0033
244/12.4
D218,856 S * 9/1970 Fellers D12/338
D218,857 S * 9/1970 Fellers D12/338
D220,982 S * 6/1971 Webb D12/334
D221,696 S * 8/1971 Krivka D12/327
D231,603 S * 5/1974 Krivka D12/327
D231,604 S * 5/1974 Krivka D12/327
D246,168 S * 10/1977 Landrus 244/45 A
D256,347 S * 8/1980 McComas D12/333
(Continued)

OTHER PUBLICATIONS

Apex M23K by Quadcopter 101. dated Jun. 14, 2018. found online
[Apr. 29, 2019] <https://www.youtube.com/watch?v=Yaih13XwcQg>.*

Primary Examiner — Marissa J Cash
(74) *Attorney, Agent, or Firm* — JCIPRNET

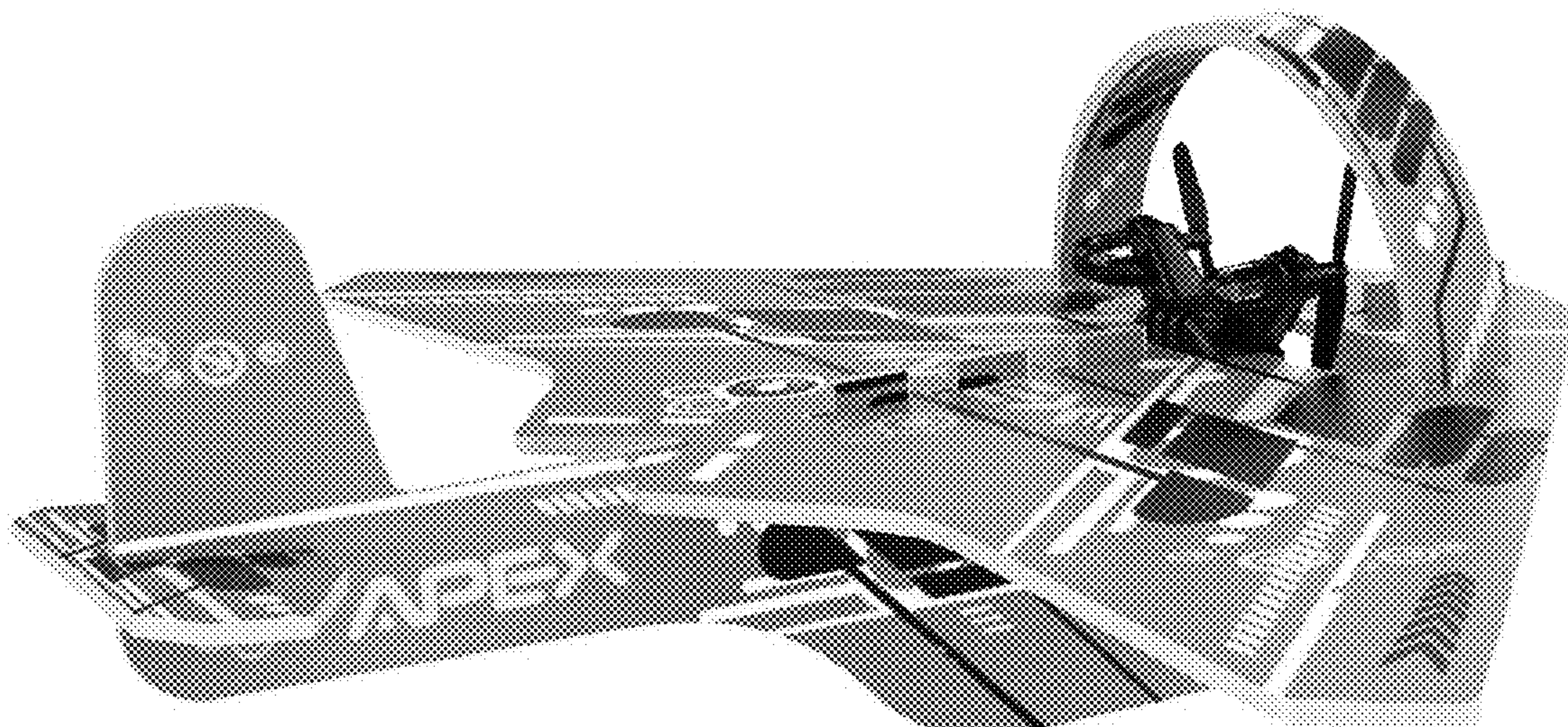
(57) **CLAIM**

The ornamental design for a toy aircraft, as shown and described.

DESCRIPTION

The file of this patent contains a least one drawing executed in color. Copies of this patent with color drawings will be provided by the United States Patent and Trademark Office upon request and payment of the necessary fee.
FIG. 1 is a perspective view of a toy aircraft showing my new design;
FIG. 2 is another perspective view thereof;
FIG. 3 is a front view thereof;
FIG. 4 is a rear view thereof;
FIG. 5 is a left side view thereof;
FIG. 6 is a right side view thereof;
FIG. 7 is a top view thereof; and,
FIG. 8 is a bottom view thereof.

1 Claim, 6 Drawing Sheets
(6 of 6 Drawing Sheet(s) Filed in Color)



(56)

References Cited

U.S. PATENT DOCUMENTS

D256,905 S * 9/1980 McComas 244/45 A
 D257,338 S * 10/1980 McComas D12/332
 D264,454 S * 5/1982 Snyder D12/341
 D274,510 S * 7/1984 McComas D12/338
 D281,680 S * 12/1985 Henderson D12/319
 D298,026 S * 10/1988 Judge D12/319
 4,979,699 A * 12/1990 Tindell B64C 9/34
 137/15.1
 D319,805 S * 9/1991 Wiegert D12/319
 D323,315 S * 1/1992 Haga D12/328
 D326,255 S * 5/1992 Graham D12/319
 5,115,996 A * 5/1992 Moller B64C 29/0025
 239/265.19
 D332,080 S * 12/1992 Sandusky, Jr. 342/2
 D356,990 S * 4/1995 Weir D12/331
 5,407,150 A * 4/1995 Sadleir B64C 29/0025
 244/12.4
 5,425,515 A * 6/1995 Hirose B64B 1/20
 244/25
 D371,105 S * 6/1996 Graham D12/319
 D392,937 S * 3/1998 Brichard D12/319
 D418,105 S * 12/1999 Margaritoff D12/319
 D418,805 S * 1/2000 Cycon 244/12.3
 D431,522 S * 10/2000 Fujino D12/337
 D439,876 S * 4/2001 Simonov D12/319
 D446,764 S * 8/2001 Panatov D12/324
 D458,577 S * 6/2002 Han D12/319
 D464,604 S * 10/2002 Jamgarov D12/319
 D467,217 S * 12/2002 Andreyko D12/319

D468,255 S * 1/2003 Gopaldaswami D12/319
 D613,202 S * 4/2010 Rodriquez D12/3
 D621,774 S * 8/2010 Betsch D12/344
 D629,737 S * 12/2010 Betsch D12/319
 D649,506 S * 11/2011 Morelli D12/319
 D651,156 S * 12/2011 Gundlach D12/319
 D665,331 S * 8/2012 Sands D12/319
 D690,254 S * 9/2013 Manzhelii D12/319
 D708,563 S * 7/2014 Colten D12/319
 D710,782 S * 8/2014 Cummings D12/326
 D713,321 S * 9/2014 Cummings D12/326
 D713,774 S * 9/2014 Tritschler D12/3
 D717,227 S * 11/2014 Herzberger D12/324
 D729,694 S * 5/2015 Earon D12/16.1
 D734,402 S * 7/2015 Reznik D12/16.1
 D739,807 S * 9/2015 Strand D12/324
 D743,868 S * 11/2015 Cummings D12/328
 9,505,484 B1 * 11/2016 Al-Sabah B64C 3/38
 D795,160 S * 8/2017 Koppenwallner D12/343
 D801,856 S * 11/2017 Zhou D12/16.1
 D803,724 S * 11/2017 Zhou D12/16.1
 9,815,545 B1 * 11/2017 Steer B64C 3/141
 D807,273 S * 1/2018 Koppenwallner D12/337
 D808,328 S * 1/2018 Ivans D12/328
 D809,970 S * 2/2018 Zhou D12/16.1
 D810,621 S * 2/2018 Sadek D12/16.1
 D813,143 S * 3/2018 Belik D12/326
 D824,804 S * 8/2018 Tian D12/16.1
 10,046,850 B2 * 8/2018 Gamble B64C 1/26
 10,124,890 B2 * 11/2018 Sada-Salinas B64C 29/0025
 10,207,793 B2 * 2/2019 Gonzalez B64C 11/18

* cited by examiner

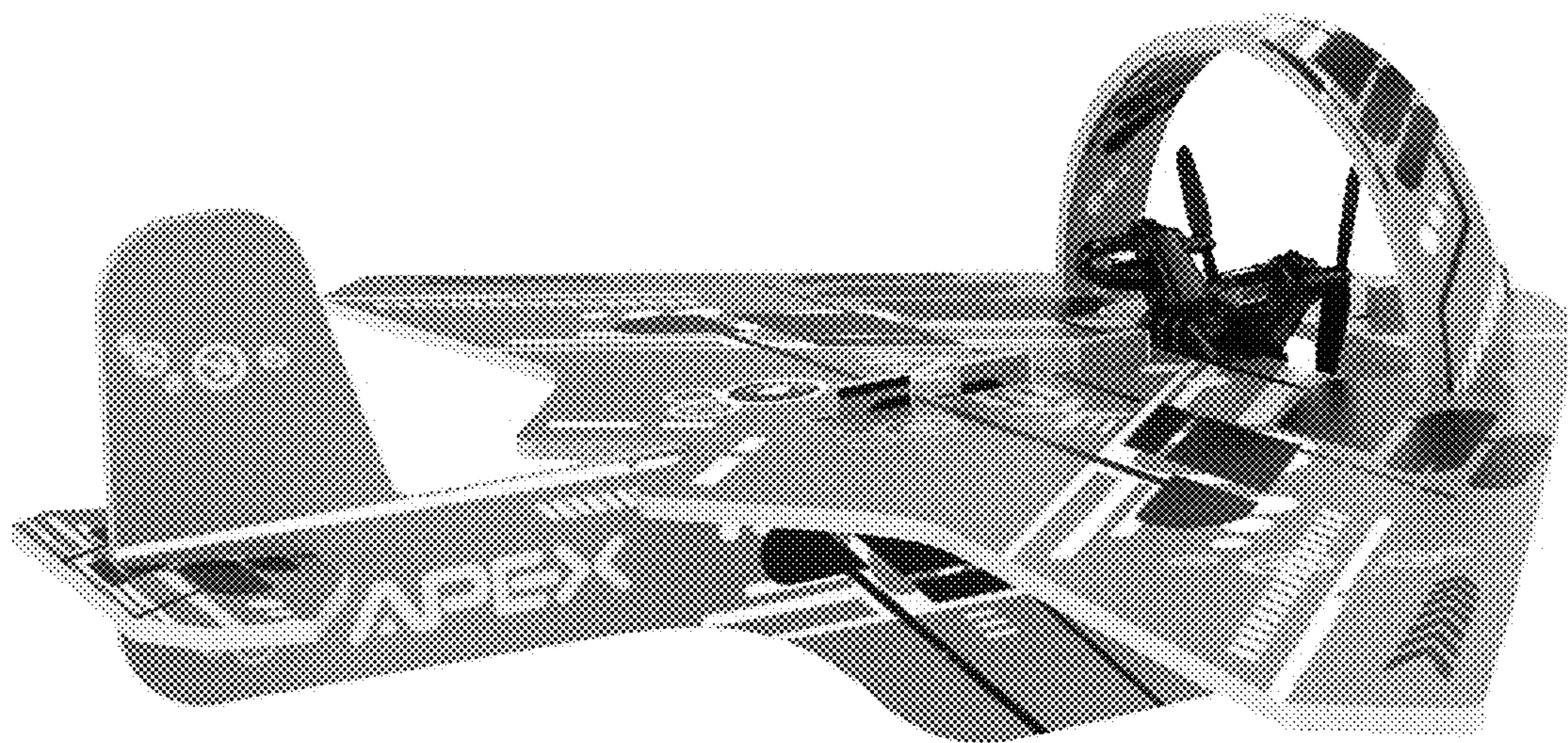


FIG. 1

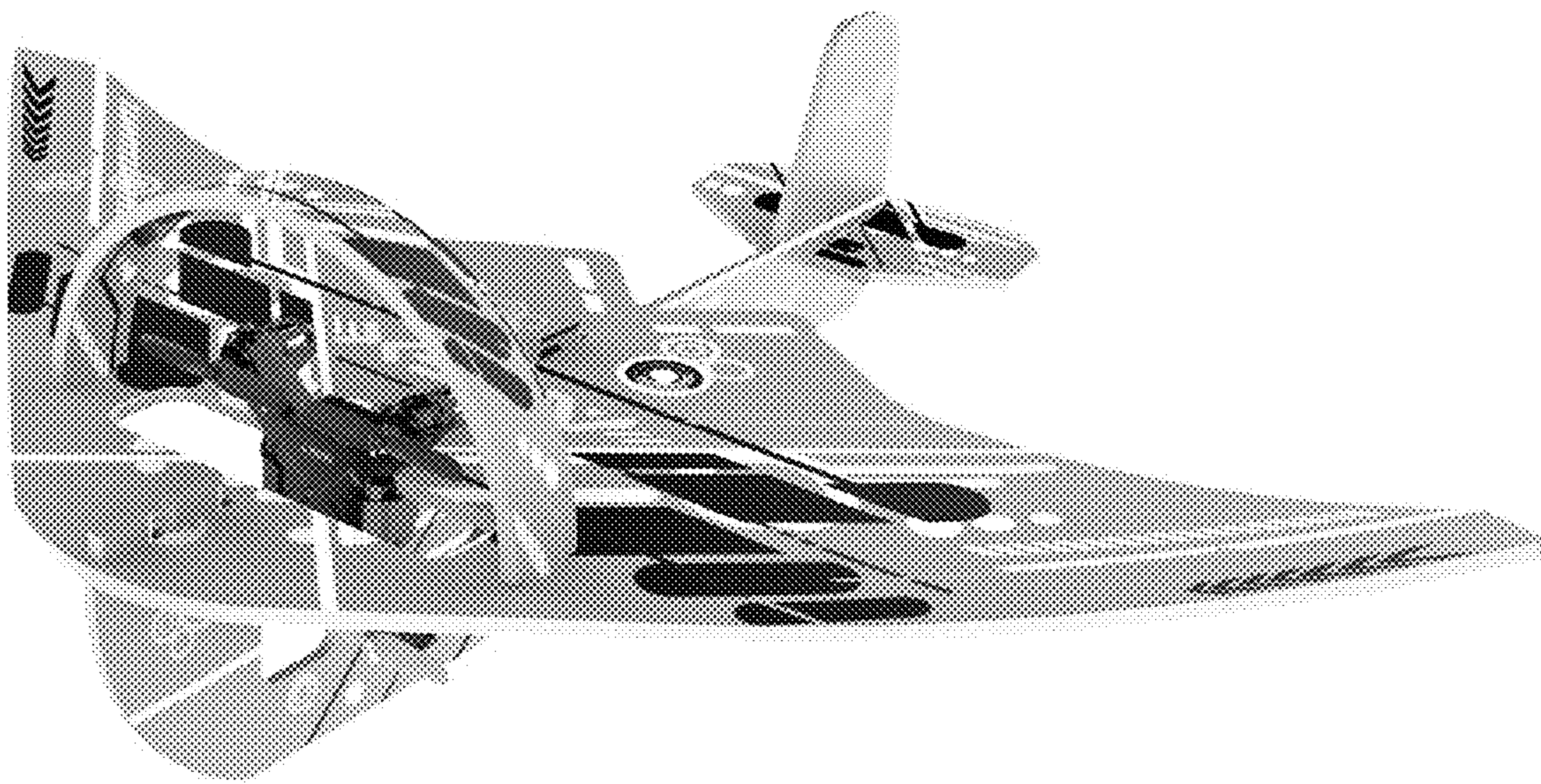


FIG. 2

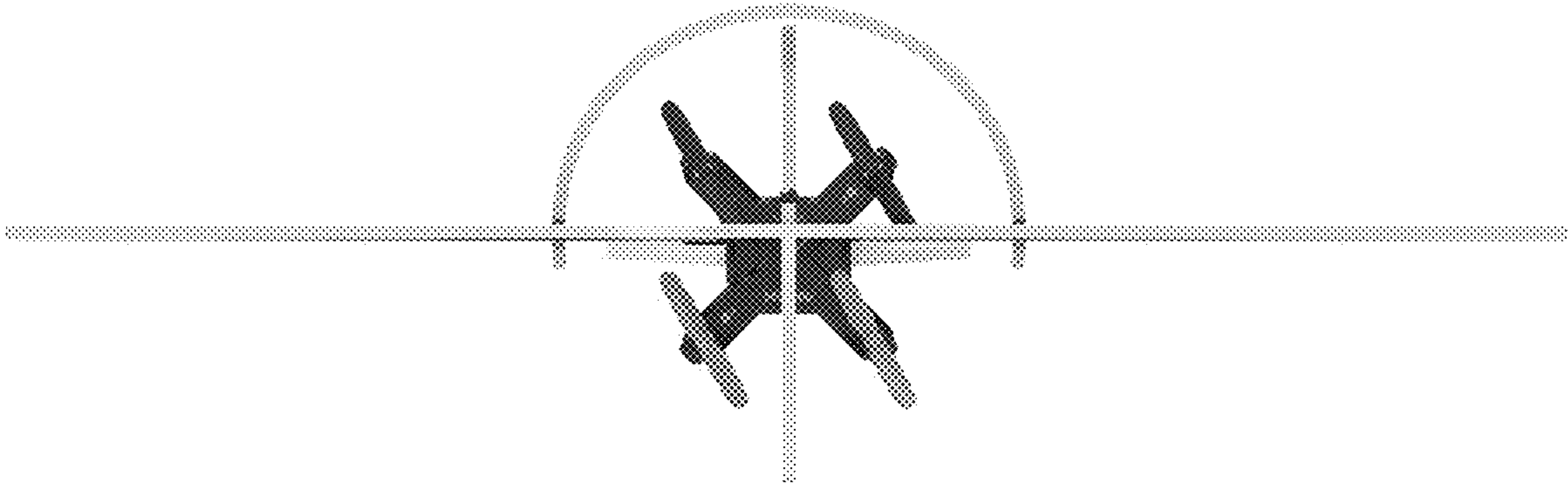


FIG. 3

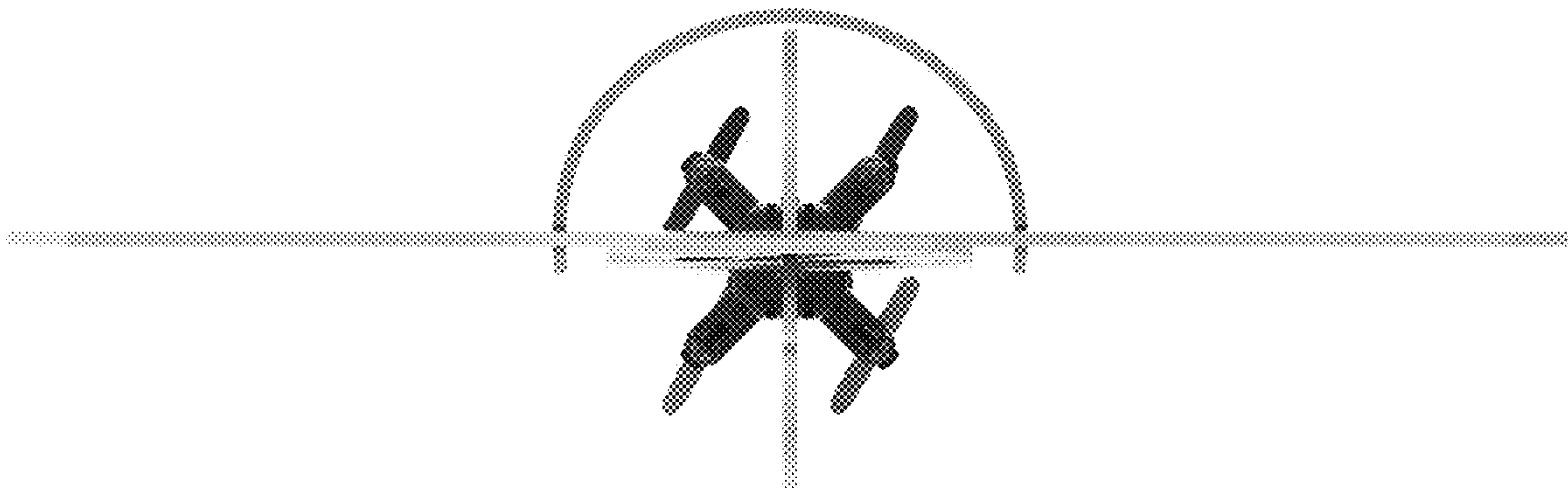


FIG. 4

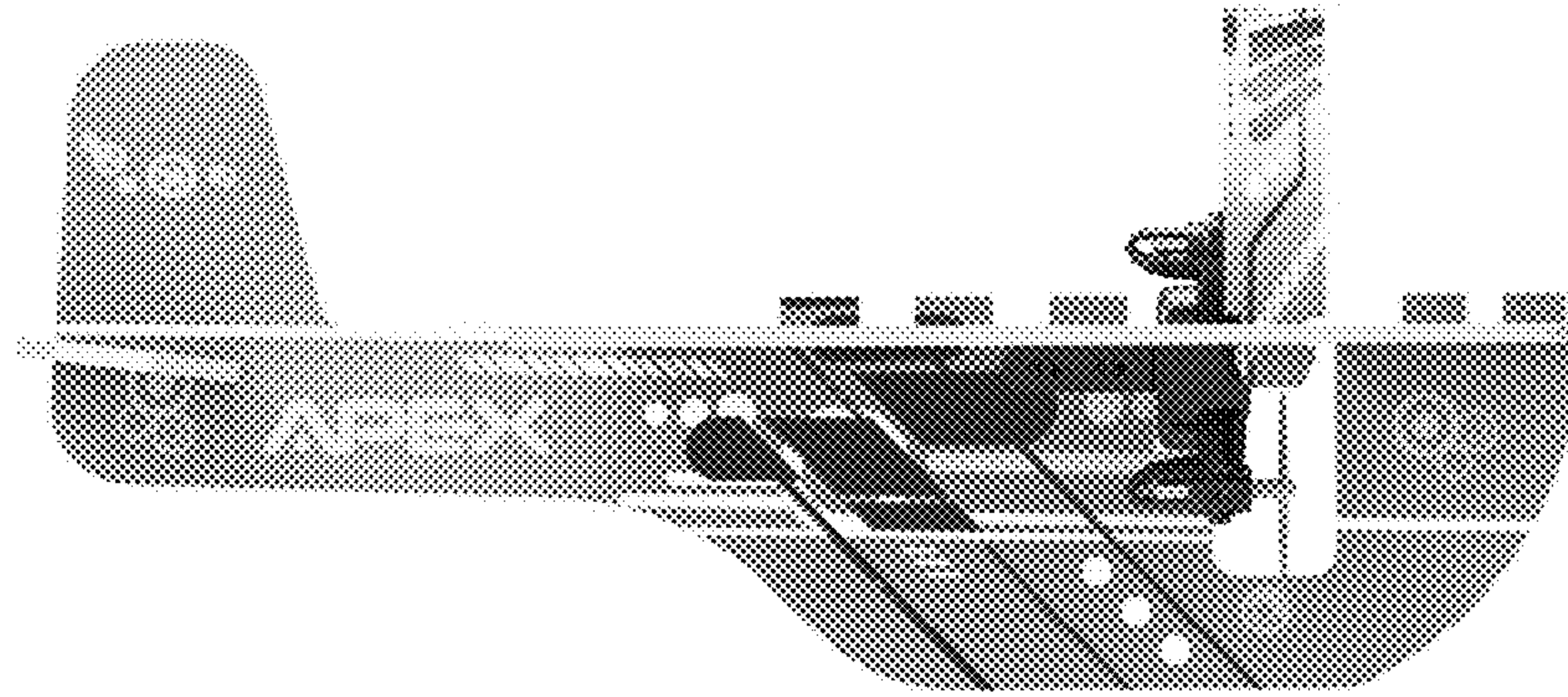


FIG. 5

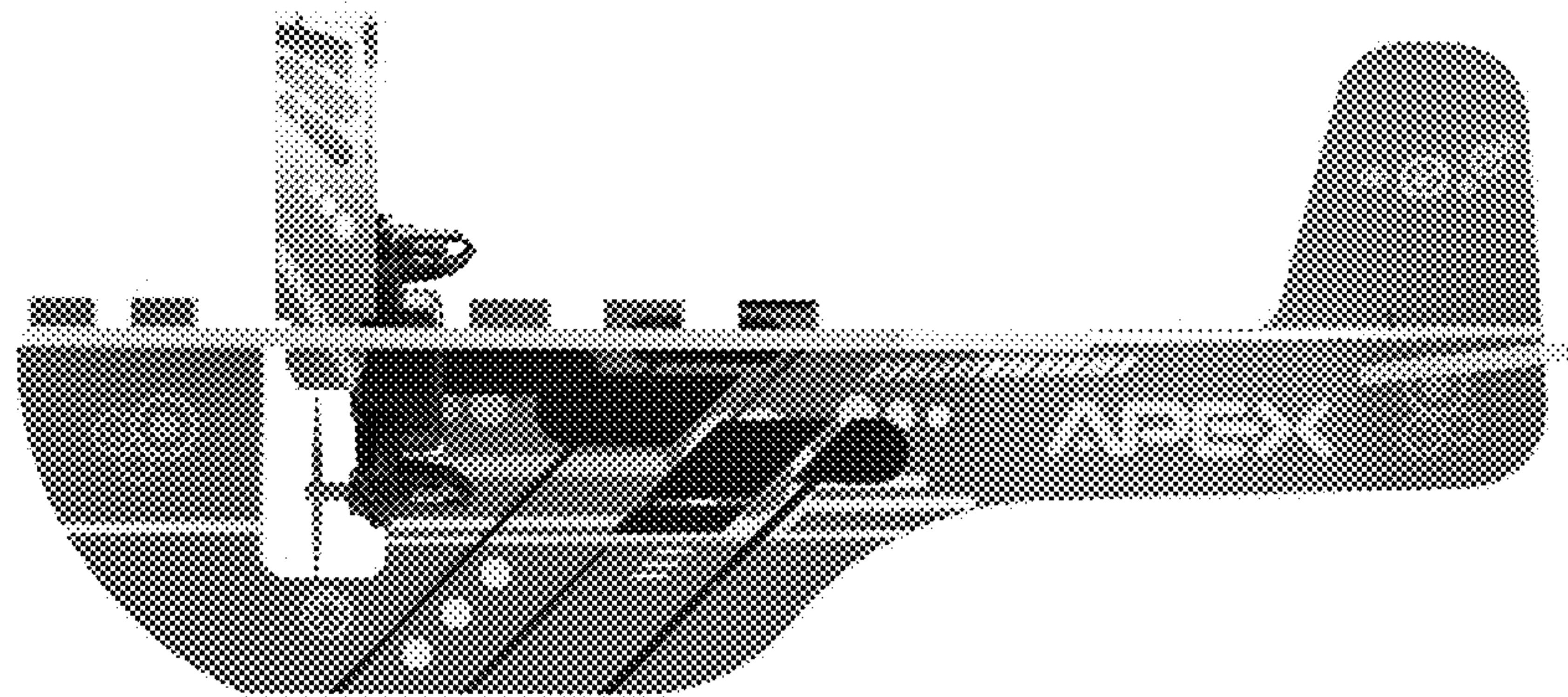


FIG. 6

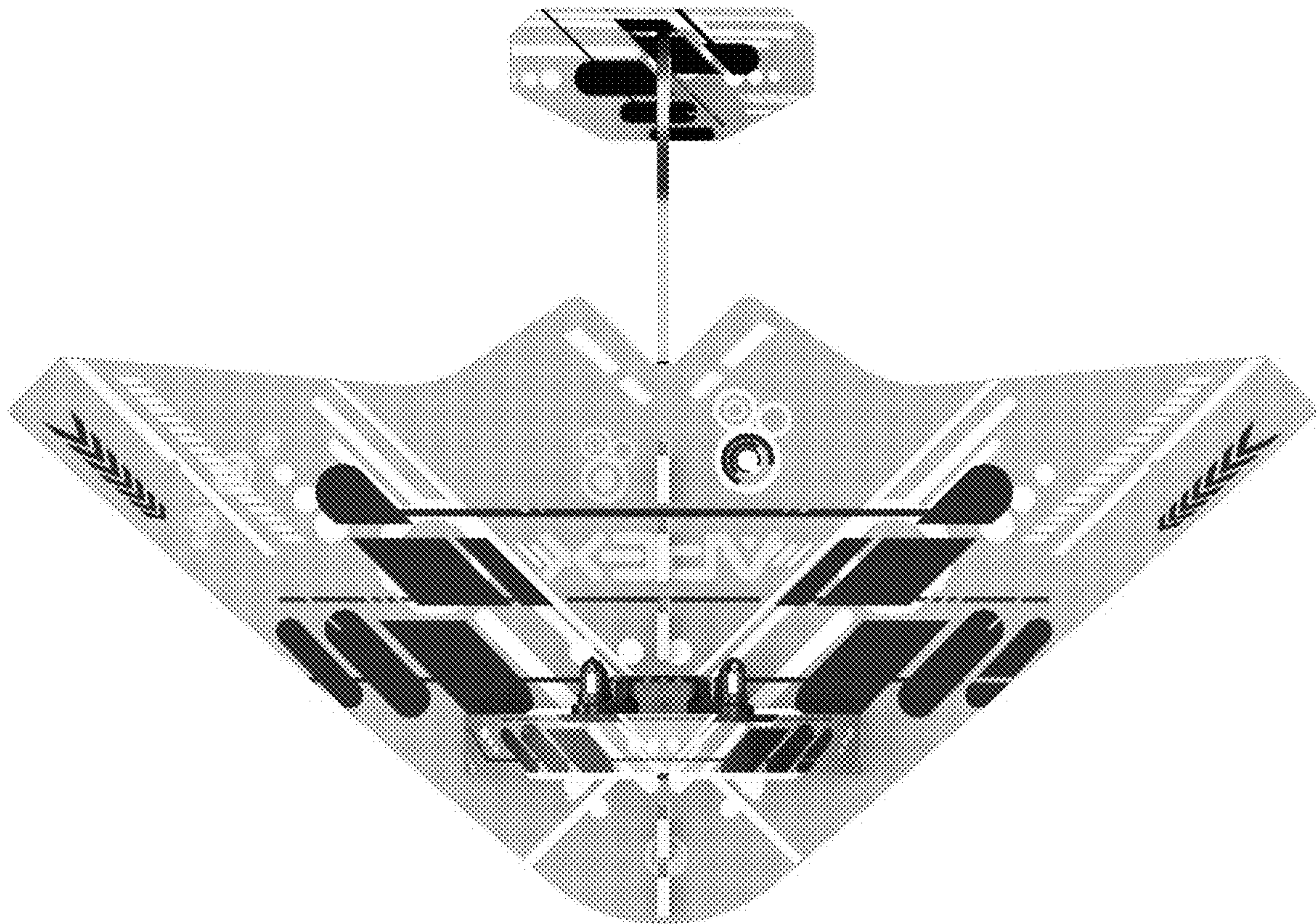


FIG. 7

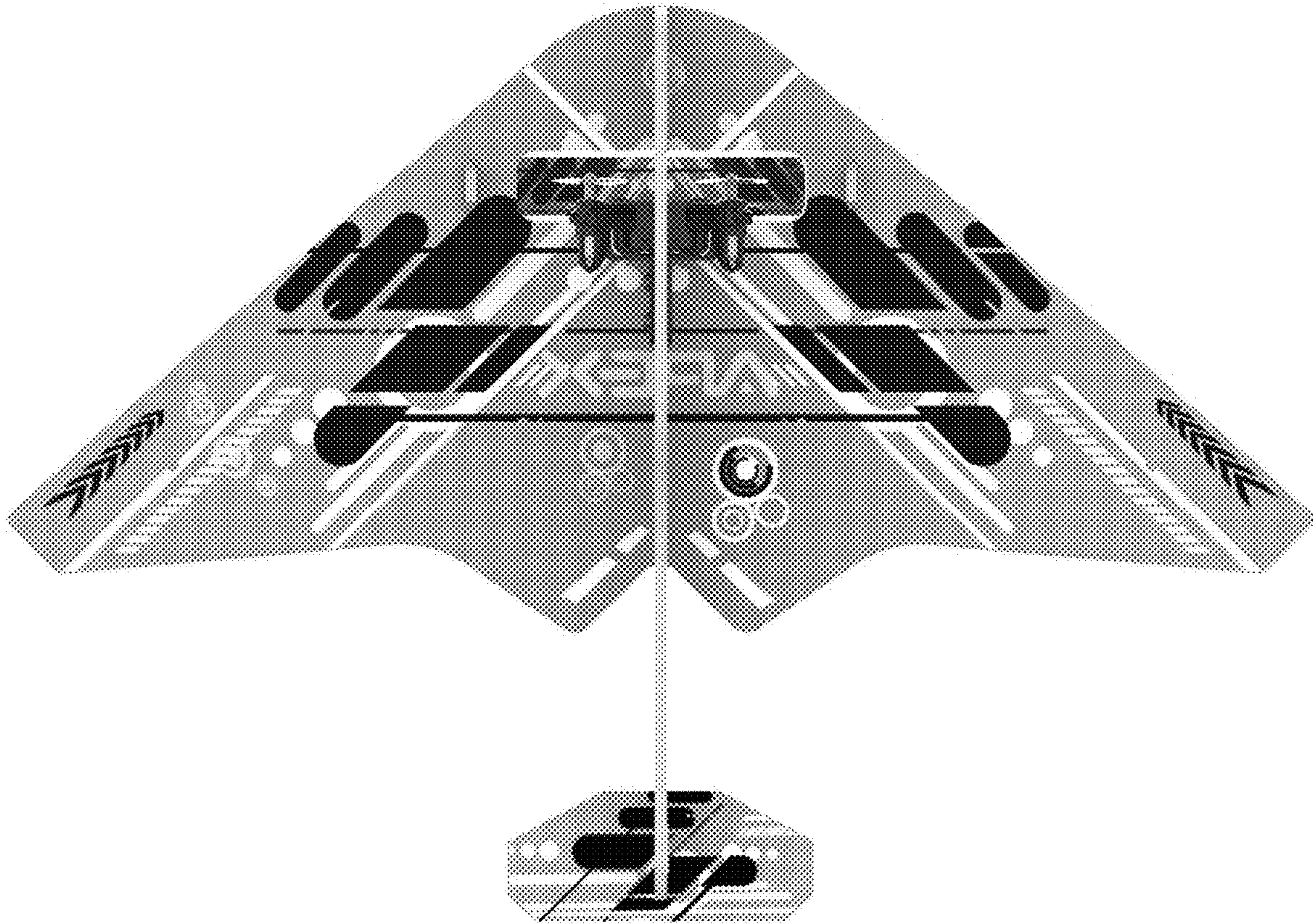


FIG. 8