



US00D876551S

(12) **United States Design Patent** (10) **Patent No.:** **US D876,551 S**
Tsai et al. (45) **Date of Patent:** **** Feb. 25, 2020**

(54) **EXTRUSION**
(71) Applicant: **FEILOLI ELECTRONIC CO., LTD.**,
Hemei Town, Changhua Cty (TW)
(72) Inventors: **Chi-Ming Tsai**, Hemei Town (TW);
I-Chiang Yang, Hemei Town (TW)
(73) Assignee: **Feiloli Electronic Co., Ltd.**, Changhua
County (TW)
(**) Term: **15 Years**
(21) Appl. No.: **29/646,141**
(22) Filed: **May 2, 2018**
(51) **LOC (12) Cl.** **21-01**
(52) **U.S. Cl.**
USPC **D21/333**; D25/124
(58) **Field of Classification Search**
USPC D25/119–126, 164, 199; D20/43, 44, 1,
D20/8; D8/354; D21/333
CPC ... E06B 1/02; E06B 1/04; E06B 1/045; E06B
1/12; E06B 1/14; E06B 1/2403; E06B
1/26; E06B 1/28; E06B 1/34; E06B
1/342; E06B 1/52; E06B 1/524; E06B
1/64; E06B 1/68; E06B 7/00; E06B 7/02;
E06B 7/14; E06B 7/16; E06B 7/18; E06B
7/22; E06B 7/26; E06B 1/00; E04C 3/00;
E04C 3/005; E04C 3/02; E04C 3/04;
E04C 3/12; E04C 3/127; E04C 3/20;
E04C 3/28; E04C 3/29; E04C 3/30; E04F
13/21; E04F 13/26; E04F 13/28; A63F
13/08; A63F 13/90; G07F 17/3202; G07F
17/3216; G07F 17/3218; A99Z 99/00
See application file for complete search history.

(56) **References Cited**
U.S. PATENT DOCUMENTS
D255,940 S * 7/1980 Kwan D25/119
D286,167 S * 10/1986 Greitzer D20/44

D286,201 S * 10/1986 Bancroft D25/119
6,095,361 A * 8/2000 Huang H05K 5/0021
220/4.02
D525,372 S * 7/2006 Levi-Senigaglia D25/121
D552,259 S * 10/2007 Allsopp D25/119
D554,774 S * 11/2007 Antonic D25/119
D624,206 S * 9/2010 Antonic D25/119
D745,192 S * 12/2015 Suciuc D25/119
9,663,944 B1 * 5/2017 Lam E04B 1/28
D810,541 S * 2/2018 Amato D25/125
D813,419 S * 3/2018 Ollila D25/119
2014/0157696 A1 * 6/2014 Reyher E06B 1/36
52/204.593
2016/0024801 A1 * 1/2016 Scherrer E04F 13/26
52/28
2016/0364946 A1 * 12/2016 Castro G07F 17/3216
2018/0283007 A1 * 10/2018 Lukito E04C 3/04

* cited by examiner

Primary Examiner — L. Martinez
(74) *Attorney, Agent, or Firm* — Alan D. Kamrath; Karin
L. Williams; Mayer & Williams PC

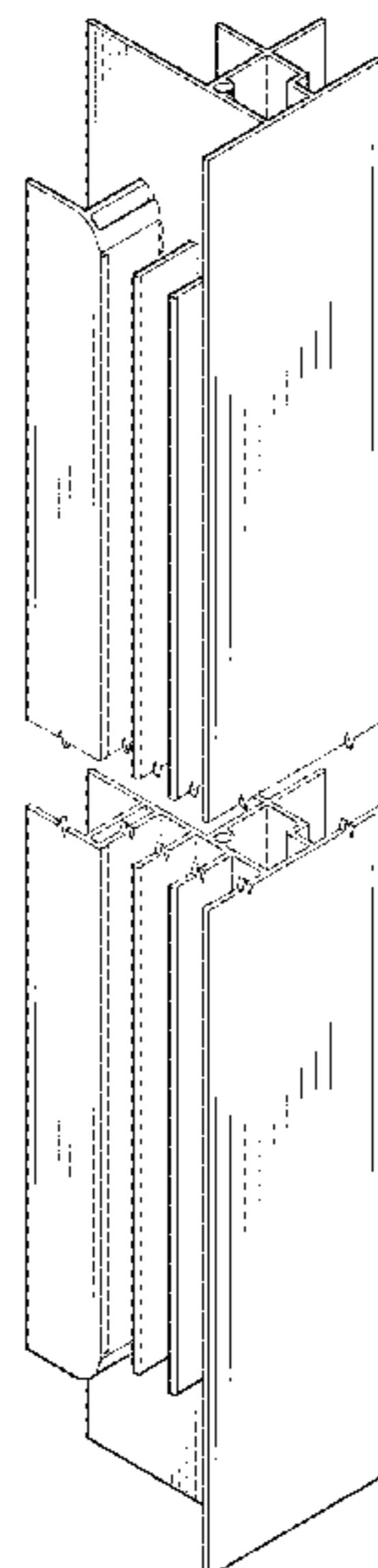
(57) **CLAIM**

The ornamental design for an extrusion, as shown.

DESCRIPTION

FIG. 1 is a perspective view of an extrusion showing our
new design;
FIG. 2 is a front view thereof;
FIG. 3 is a rear view thereof;
FIG. 4 is a left view thereof;
FIG. 5 is a right view thereof;
FIG. 6 is a top view thereof; and,
FIG. 7 is a bottom view thereof.
The extrusion is shown with symbolic break lines along its
length. Any portions of the extrusion between the break lines
form no part of the claimed design.

1 Claim, 4 Drawing Sheets



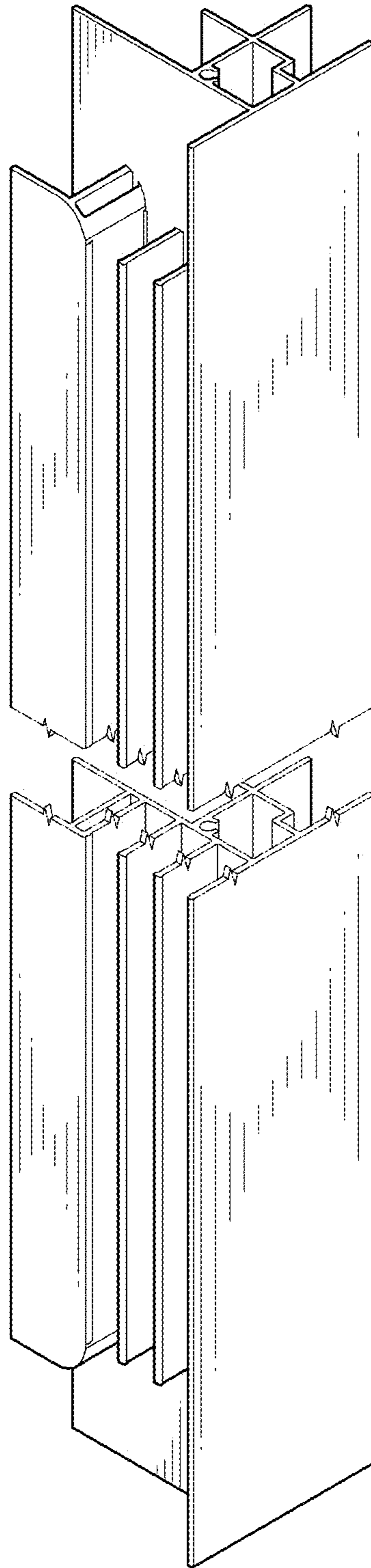


FIG. 1

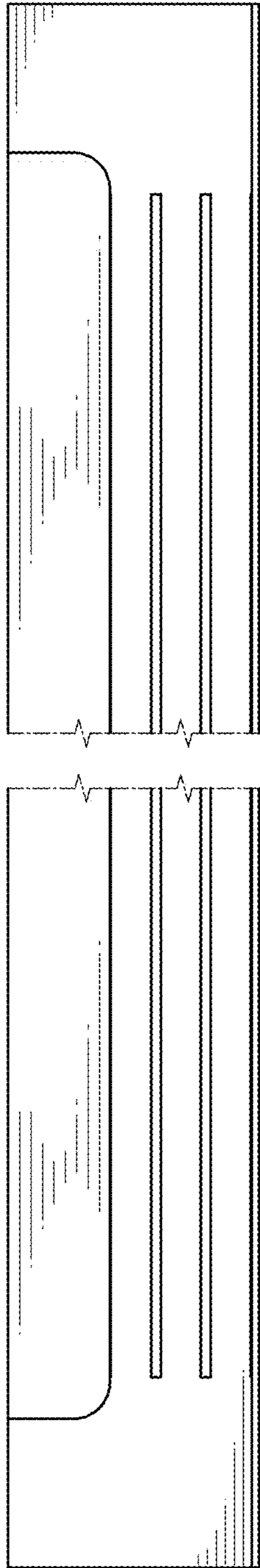


FIG. 2

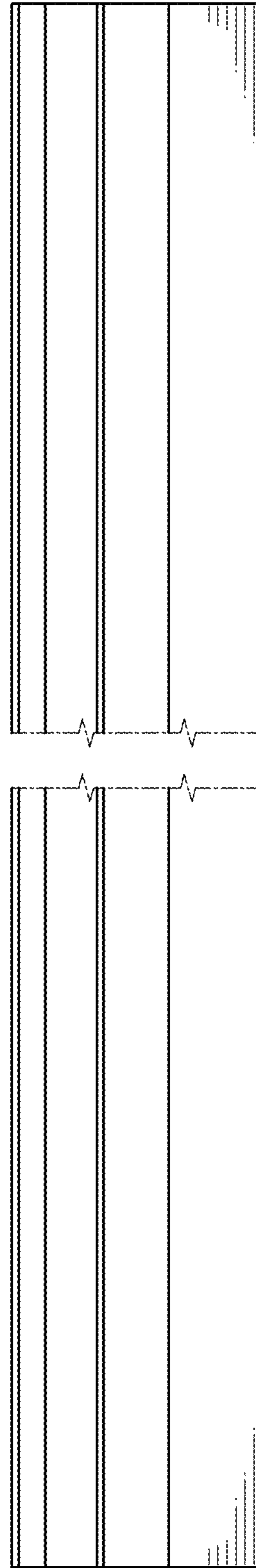


FIG. 3

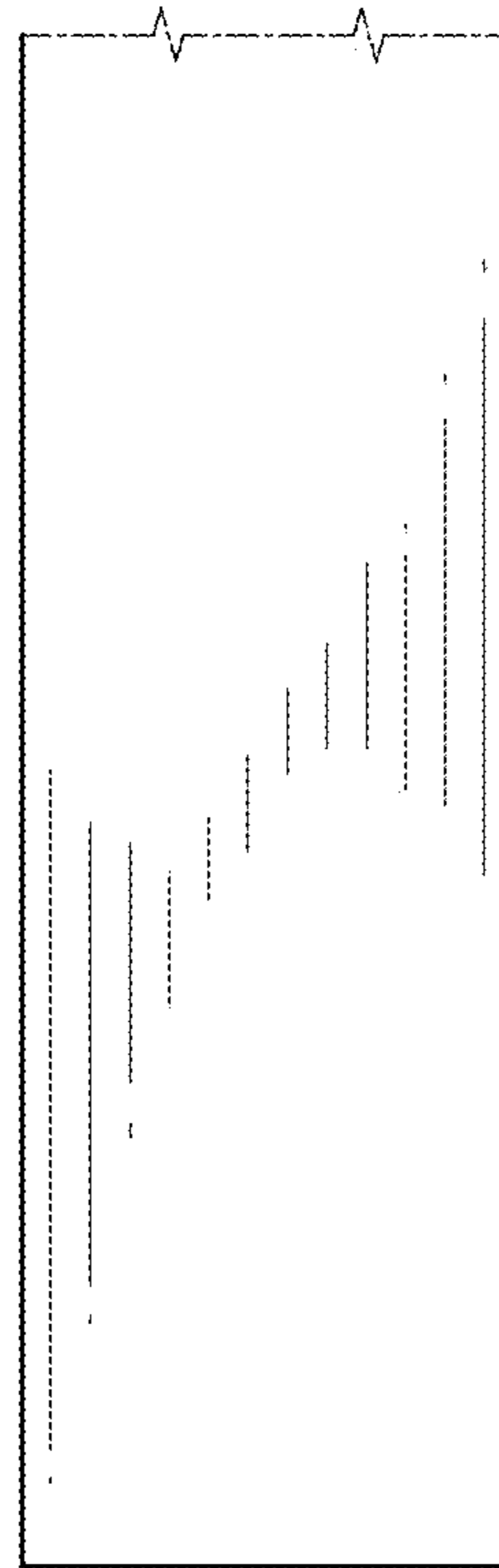
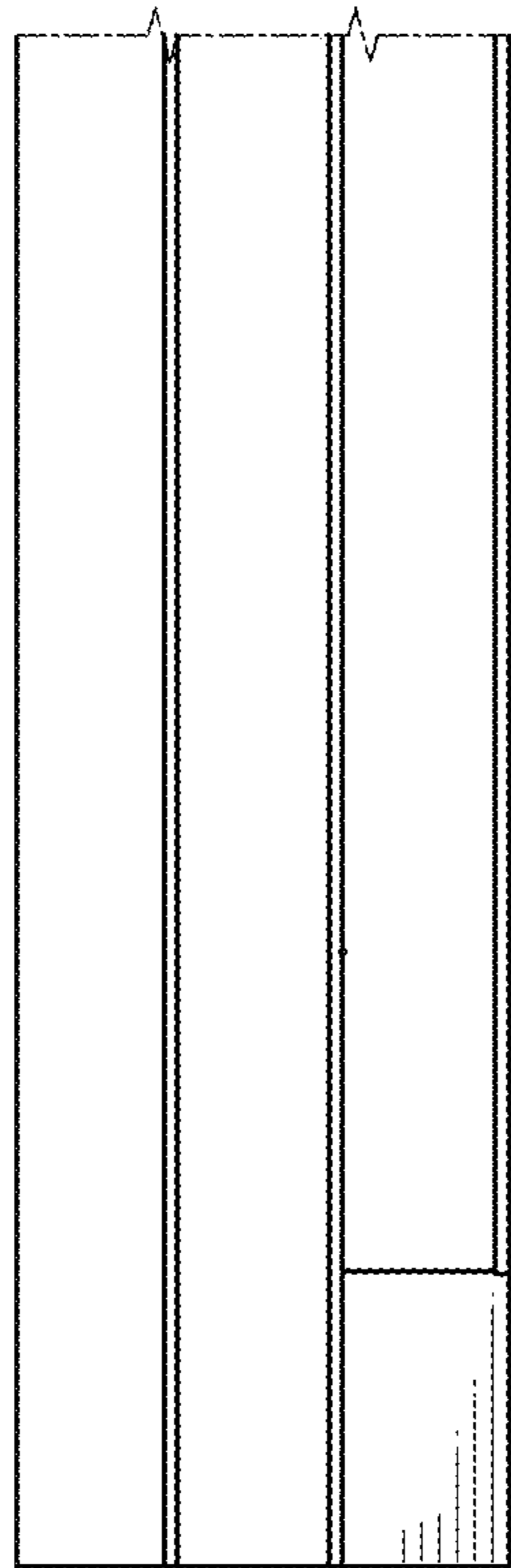
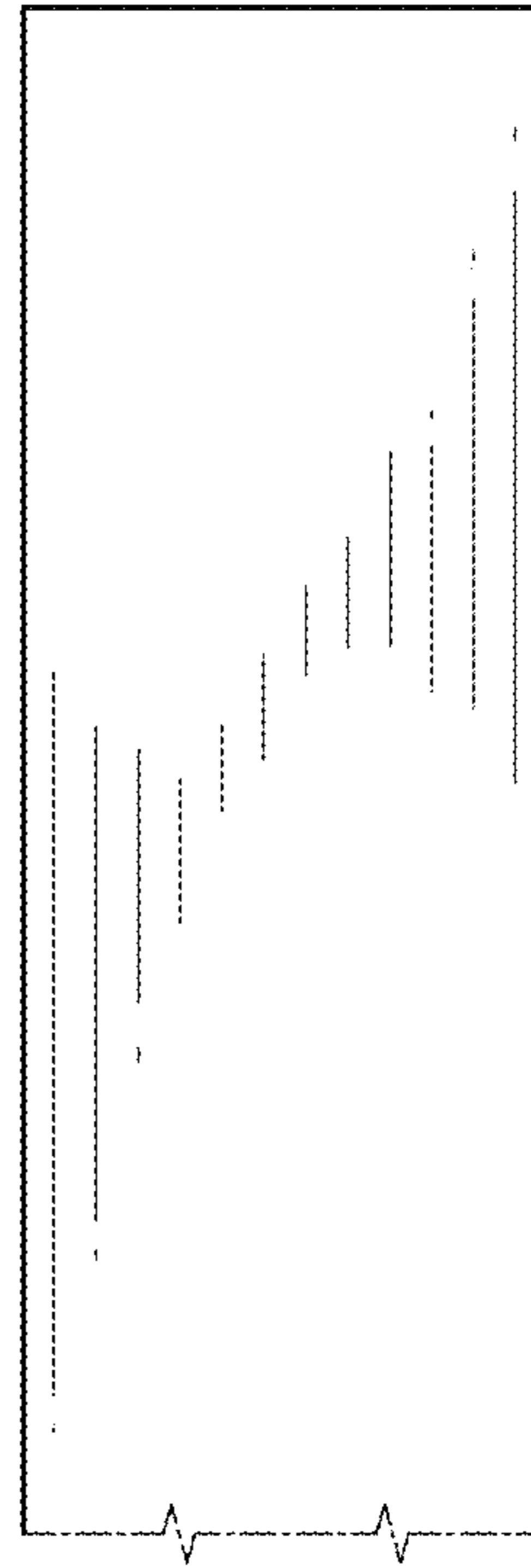
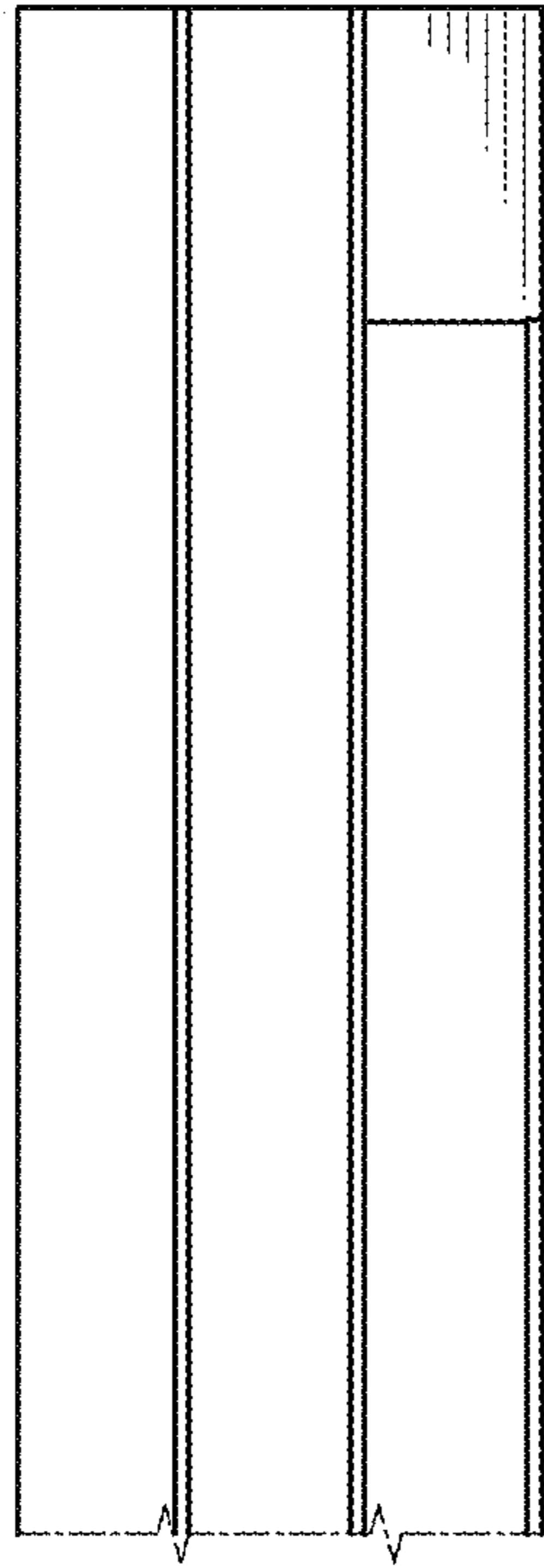


FIG. 4

FIG. 5

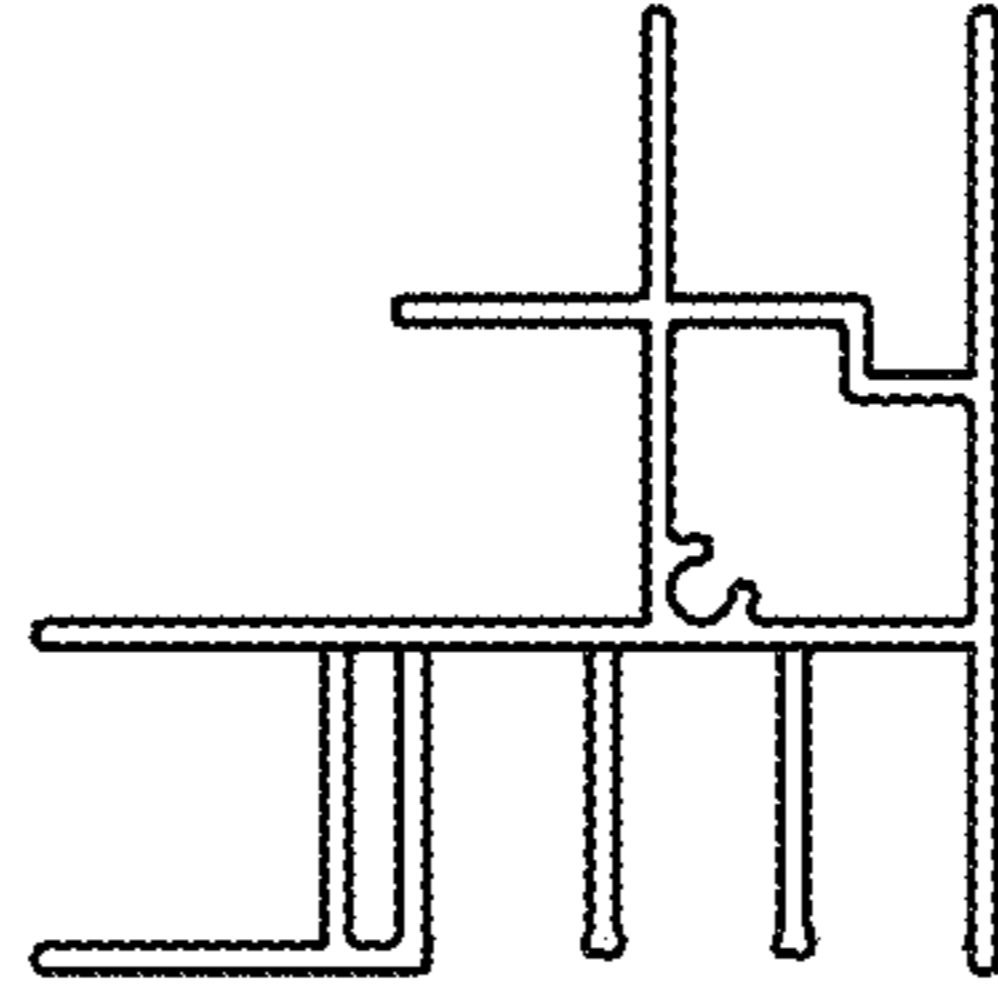


FIG. 6

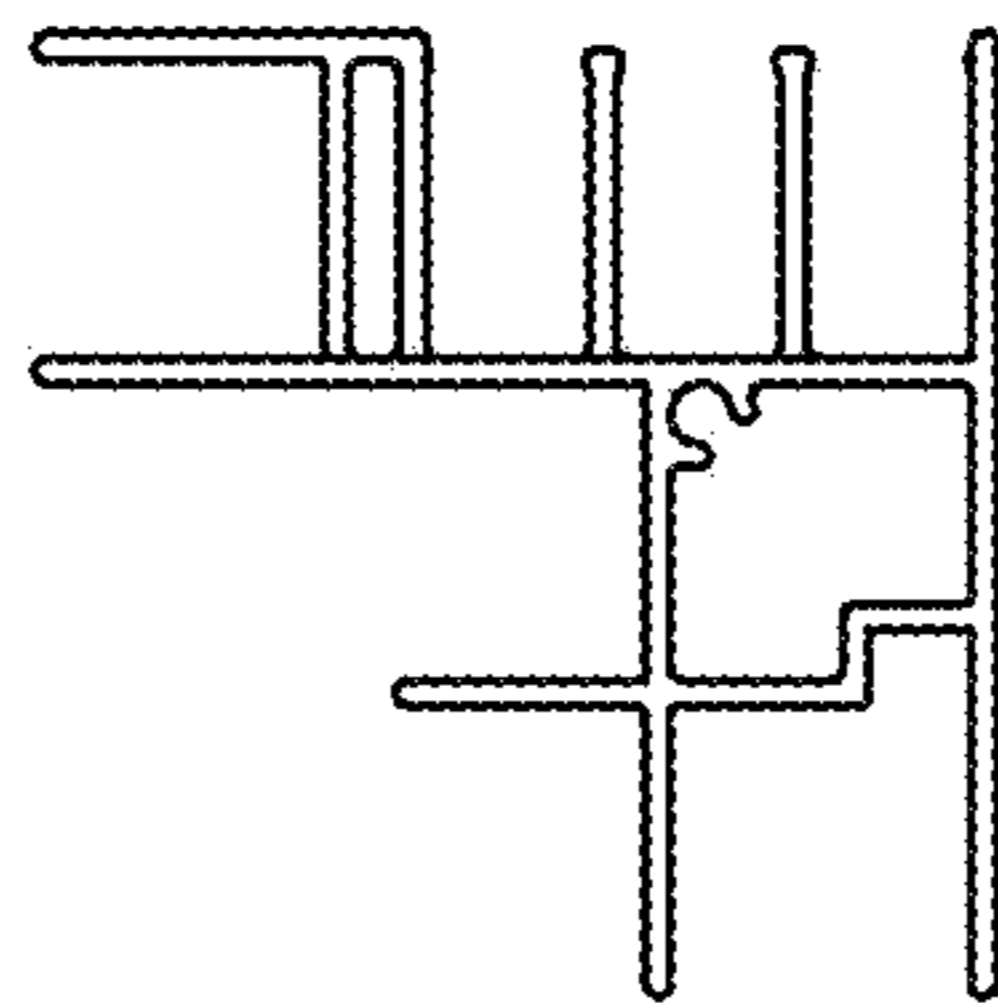


FIG. 7