



US00D876550S

(12) **United States Design Patent** (10) **Patent No.:** **US D876,550 S**  
**Ehara et al.** (45) **Date of Patent:** **\*\* Feb. 25, 2020**

(54) **CONTROLLER FOR COMPUTER**

(71) Applicant: **NINTENDO CO., LTD.**, Kyoto (JP)

(72) Inventors: **Yui Ehara**, Kyoto (JP); **Yuko Zenri**, Kyoto (JP); **Junichiro Miyatake**, Kyoto (JP); **Tetsuya Akama**, Kyoto (JP); **Hitoshi Tsuchiya**, Kyoto (JP)

(73) Assignee: **Nintendo Co., Ltd.**, Kyoto (JP)

(\*\*) Term: **15 Years**

(21) Appl. No.: **29/636,375**

(22) Filed: **Feb. 8, 2018**

**Related U.S. Application Data**

(62) Division of application No. 29/595,220, filed on Feb. 27, 2017, now Pat. No. Des. 819,642.

(30) **Foreign Application Priority Data**

Aug. 30, 2016	(JP)	.....	2016-018391
Aug. 30, 2016	(JP)	.....	2016-018392
Aug. 30, 2016	(JP)	.....	2016-018393
Aug. 30, 2016	(JP)	.....	2016-018394
Aug. 30, 2016	(JP)	.....	2016-018395
Aug. 30, 2016	(JP)	.....	2016-018396
Aug. 30, 2016	(JP)	.....	2016-018397
Aug. 30, 2016	(JP)	.....	2016-018398
Aug. 30, 2016	(JP)	.....	2016-018399
Aug. 30, 2016	(JP)	.....	2016-018400

(Continued)

(51) **LOC (12) Cl.** ..... **21-01**

(52) **U.S. Cl.**  
USPC ..... **D21/333**

(58) **Field of Classification Search**

USPC ..... D21/324, 328, 329, 332, 333, 399-402, D21/477, 566, 694; D14/218, 400, 401, D14/412, 414, 416, 432, 454, 496, 217, D14/356, 387, 388, 389, 415, 418, D14/426-431, 443, 447, 449, 450, 455,

(Continued)

(56) **References Cited**

U.S. PATENT DOCUMENTS

5,207,426 A *	5/1993	Inoue .....	A63F 13/06 345/184
D338,242 S *	8/1993	Cordell .....	D14/401

(Continued)

OTHER PUBLICATIONS

“Nintendo controller demo”, posted Jan. 12, 2017 [online], [retrieved Mar. 13, 2019]. Retrieved from internet, [https://www.youtube.com/watch?v=n7FBy\\_f6mTk.\\*](https://www.youtube.com/watch?v=n7FBy_f6mTk.*)

(Continued)

*Primary Examiner* — Sandra S Snapp

*Assistant Examiner* — Mehri F Bajoul

(74) *Attorney, Agent, or Firm* — Nixon & Vanderhye PC

(57) **CLAIM**

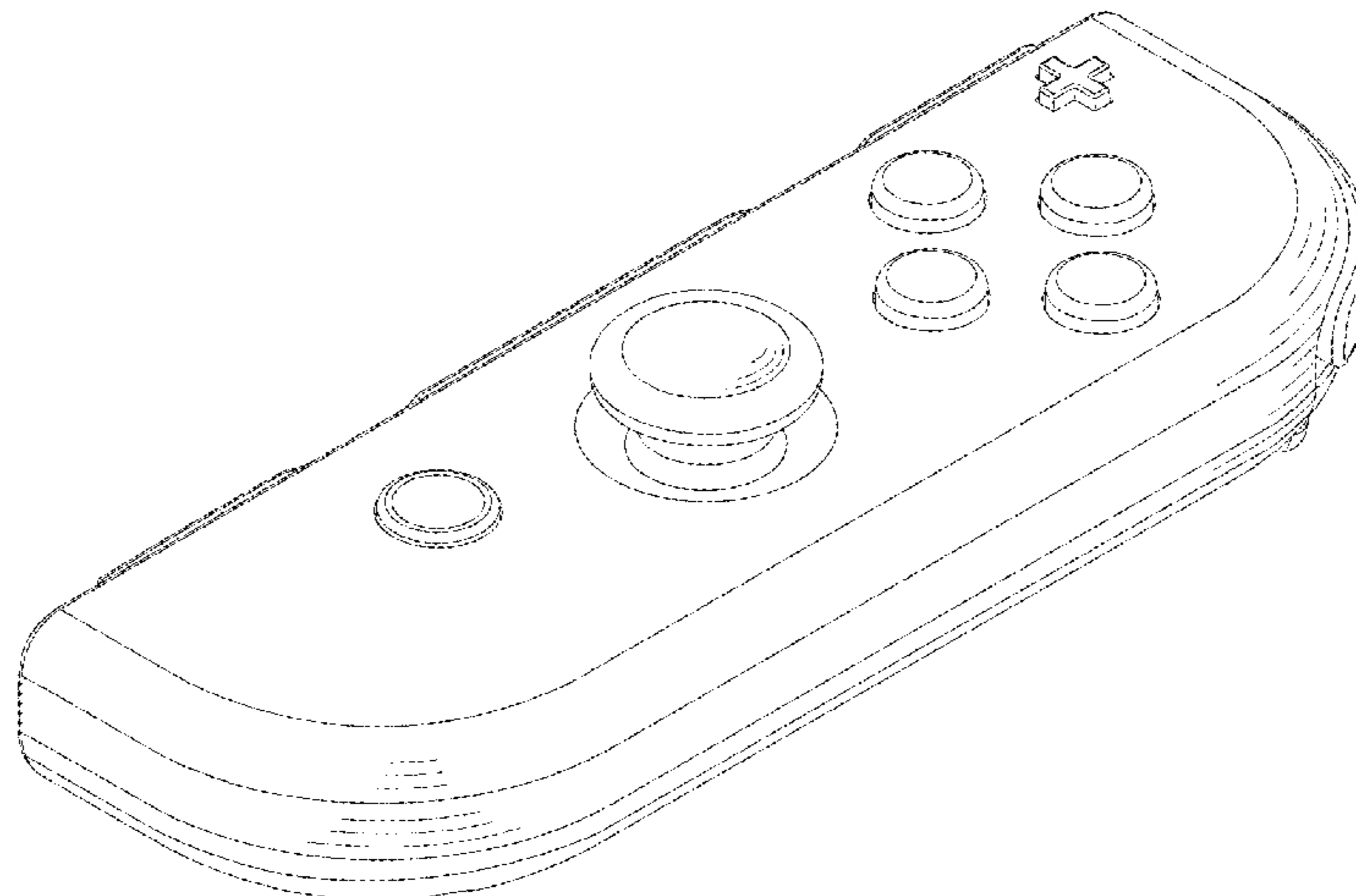
The ornamental design for a controller for computer, as shown and described.

**DESCRIPTION**

FIG. 1 is a front side perspective view of a controller for computer showing our new design; FIG. 2 is a back side perspective view thereof; FIG. 3 is a front view thereof; FIG. 4 is a back view thereof; FIG. 5 is a top view thereof; FIG. 6 is a bottom view thereof; FIG. 7 is a right view thereof; and, FIG. 8 is a left view thereof.

The broken lines shown in the drawings depict environmental structure of the controller for computer and form no part of the claimed design.

**1 Claim, 8 Drawing Sheets**



(30) Foreign Application Priority Data

Aug. 31, 2016 (JP) ..... 2016-018644  
 Oct. 19, 2016 (JP) ..... 2016-022699

(58) Field of Classification Search

USPC .... D14/471, 474, 483, 511; 273/148 B, 449,  
 273/441, 442; 463/1, 29-39, 46, 47;  
 345/156, 161; 434/46  
 CPC .. A63F 9/00; A63F 13/00; A63F 13/02; A63F  
 13/98; A63F 13/24; A63F 9/0291; A63F  
 9/02; A63F 9/24; A63F 2300/00; A63F  
 2300/1031; G09G 9/00

See application file for complete search history.

(56) References Cited

U.S. PATENT DOCUMENTS

D350,782 S \* 9/1994 Barr ..... D14/401  
 D354,316 S \* 1/1995 Hiraoka ..... D14/401  
 D355,450 S \* 2/1995 Ho ..... D14/401  
 D360,235 S 7/1995 Emrys-Roberts  
 D360,436 S \* 7/1995 Chan ..... D14/401  
 D362,030 S \* 9/1995 Chan ..... D14/401  
 5,643,087 A 7/1997 Marcus  
 5,645,277 A 7/1997 Cheng  
 5,769,719 A 6/1998 Hsu  
 5,785,317 A 7/1998 Sasaki  
 D487,466 S \* 3/2004 Yokota ..... D14/400  
 6,956,559 B2 \* 10/2005 Hagiwara ..... A63F 13/06  
 345/156  
 D529,493 S \* 10/2006 Ogasawara ..... D14/356  
 D558,759 S \* 1/2008 Tanaka ..... D14/341  
 D568,883 S \* 5/2008 Ashida ..... D14/400  
 D570,349 S \* 6/2008 Ashida ..... D14/400  
 D614,705 S \* 4/2010 Biheller ..... D14/400  
 D620,939 S \* 8/2010 Suetake ..... D14/401  
 D656,554 S \* 3/2012 Mar ..... D21/324  
 D664,601 S \* 7/2012 Sogabe ..... D14/356  
 D681,127 S \* 4/2013 Ashida ..... D21/328  
 D691,663 S \* 10/2013 Ashida ..... D21/332  
 D692,001 S \* 10/2013 Ibuki ..... D14/401  
 D697,140 S 1/2014 Baum  
 D702,771 S 4/2014 Mar

D709,882 S \* 7/2014 Morris ..... D14/401  
 D715,362 S \* 10/2014 He ..... D14/401  
 D719,614 S 12/2014 Baum  
 D723,625 S \* 3/2015 Wikel ..... D21/333  
 D740,369 S 10/2015 Cho  
 D745,607 S \* 12/2015 Jones ..... D14/401  
 D768,785 S \* 10/2016 Kim ..... D21/333  
 D769,374 S 10/2016 Won  
 D772,988 S \* 11/2016 Kujawski ..... D14/401  
 D783,722 S \* 4/2017 Peng ..... D14/400  
 D819,641 S \* 6/2018 Tsuchiya ..... D14/401  
 D819,642 S \* 6/2018 Ehara ..... D14/401  
 D846,527 S \* 4/2019 Lamb ..... D14/217  
 D846,530 S \* 4/2019 Pellattiero ..... D14/218  
 D847,815 S \* 5/2019 Pang ..... D14/401  
 D848,424 S \* 5/2019 Kujawski ..... D14/401  
 D849,145 S \* 5/2019 Kuoch ..... D21/333  
 D850,413 S \* 6/2019 Tu ..... D14/218  
 D851,631 S \* 6/2019 Einaudi ..... D14/218  
 D853,384 S \* 7/2019 Fulghum ..... D14/401  
 D854,619 S \* 7/2019 Konishi ..... D21/333

OTHER PUBLICATIONS

“New game controllers for the Switch console”, posted Jan. 13, 2017 [online], [retrieved Mar. 13, 2019]. Retrieved from internet, <https://www.businessinsider.com/nintendo-switch-joy-con-controllers-innovations-photos-2017-1>.\*

“Nintendo Switch Joycon Teardown”, posted Mar. 3, 2017 [online], [retrieved Mar. 13, 2019]. Retrieved from internet, [https://www.youtube.com/watch?v=m63sRY\\_1eOw](https://www.youtube.com/watch?v=m63sRY_1eOw).\*

“Was kann der Nintendo Switch Pro Controller”, posted Mar. 7, 2017 [online], [retrieved Mar. 13, 2019]. Retrieved from internet, [https://www.youtube.com/watch?v=jy2qL7\\_xgBA](https://www.youtube.com/watch?v=jy2qL7_xgBA).\*

U.S. Appl. No. 29/595,220, filed Feb. 27, 2017, Ehara et al.

U.S. Appl. No. 29/646,035, filed May 1, 2018, Ehara et al.

U.S. Appl. No. 29/641,433, filed Mar. 22, 2018, Ehara et al.

U.S. Appl. No. 29/646,010, filed May 1, 2018, Ehara et al.

U.S. Appl. No. 29/646,013, filed May 1, 2018, Ehara et al.

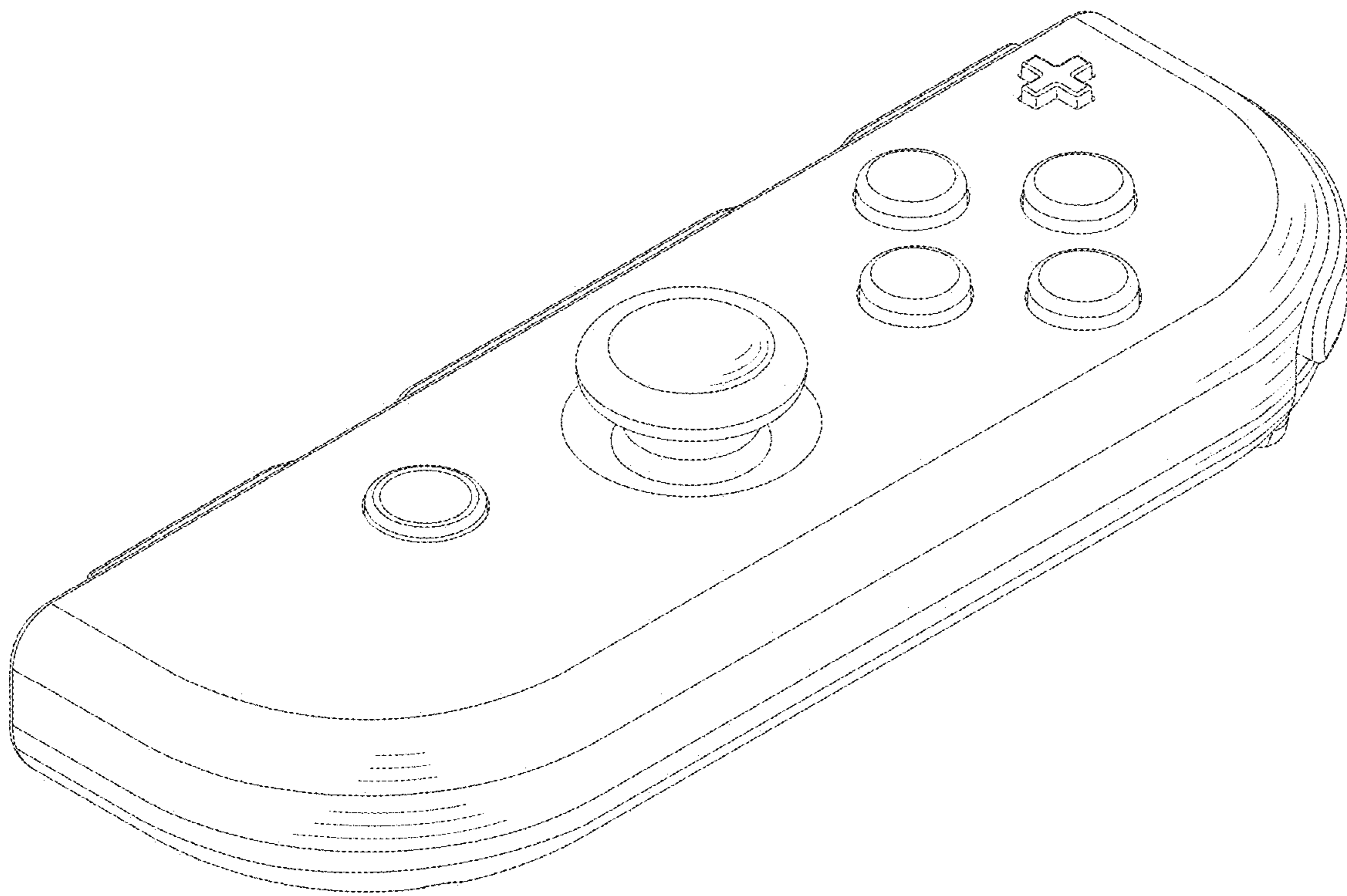
U.S. Appl. No. 29/646,019, filed May 1, 2018, Ehara et al.

U.S. Appl. No. 29/646,022, filed May 1, 2018, Ehara et al.

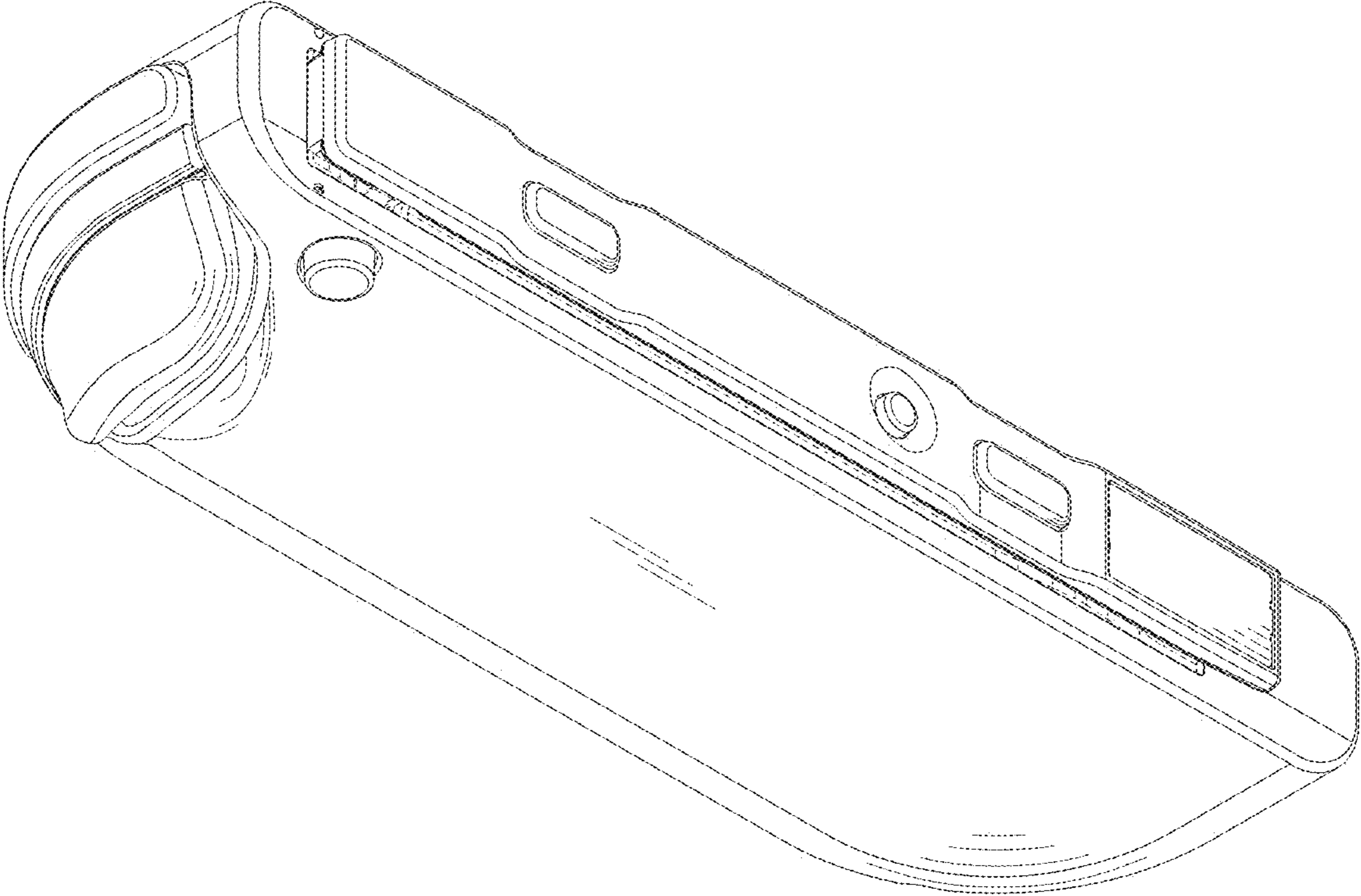
U.S. Appl. No. 29/646,026, filed May 1, 2018, Ehara et al.

U.S. Appl. No. 29/646,038, filed May 1, 2018, Ehara et al.

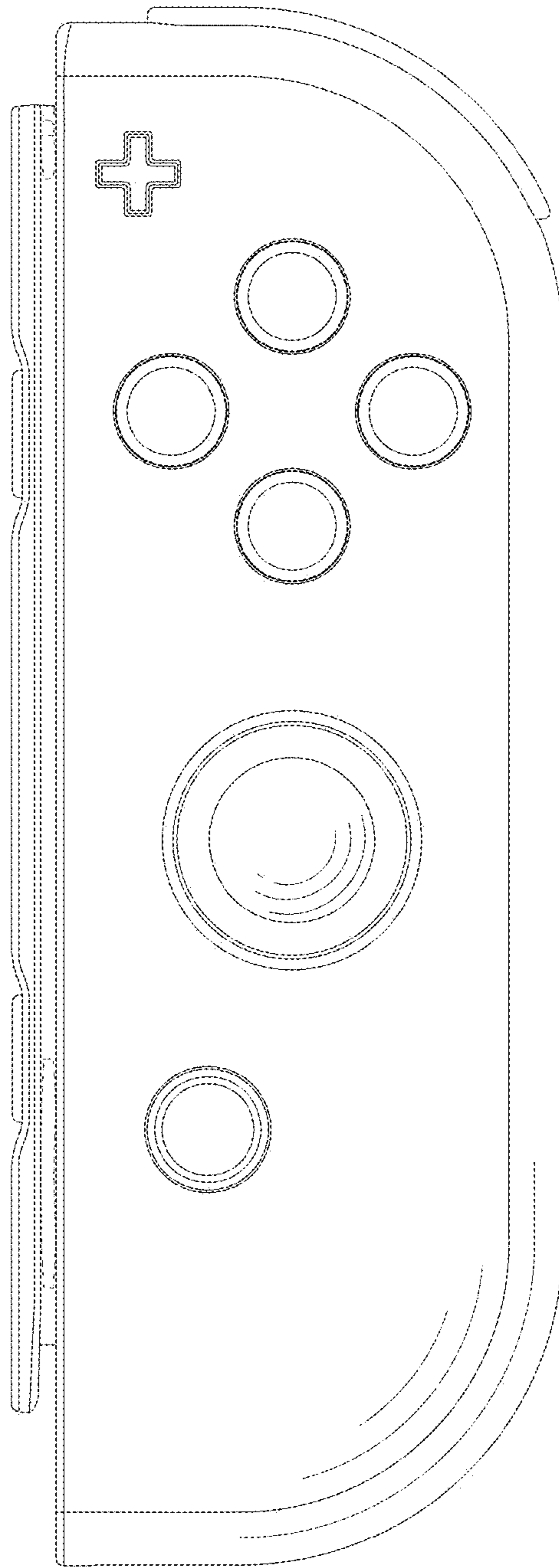
\* cited by examiner



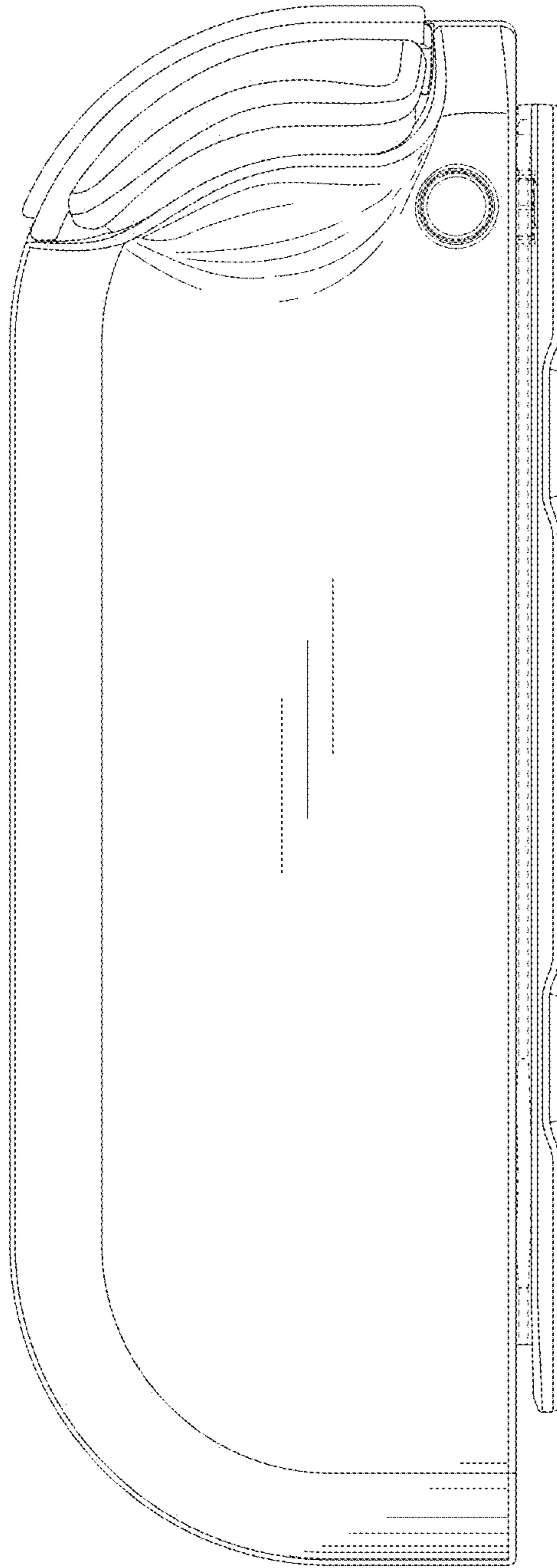
**FIG. 1**



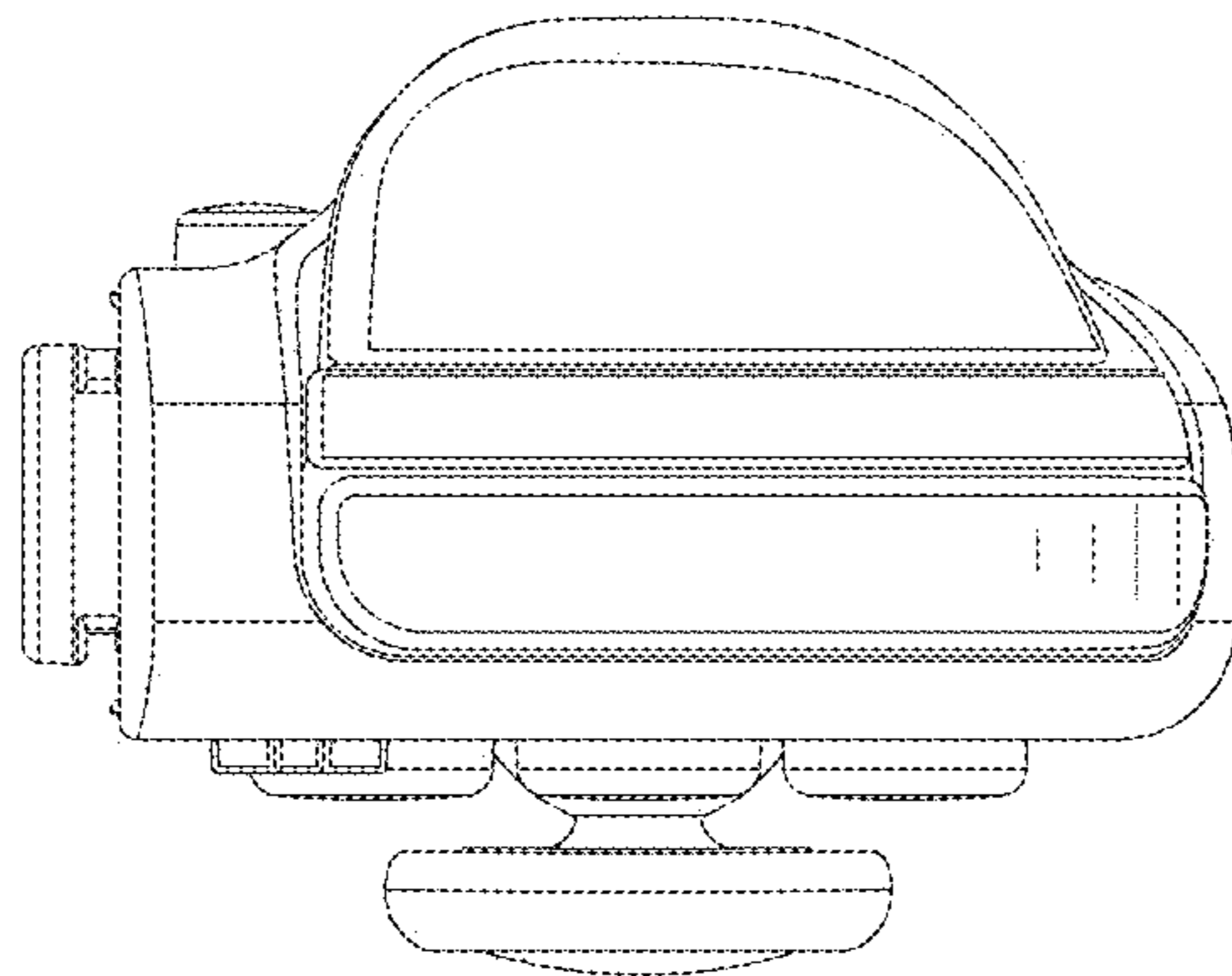
**FIG. 2**



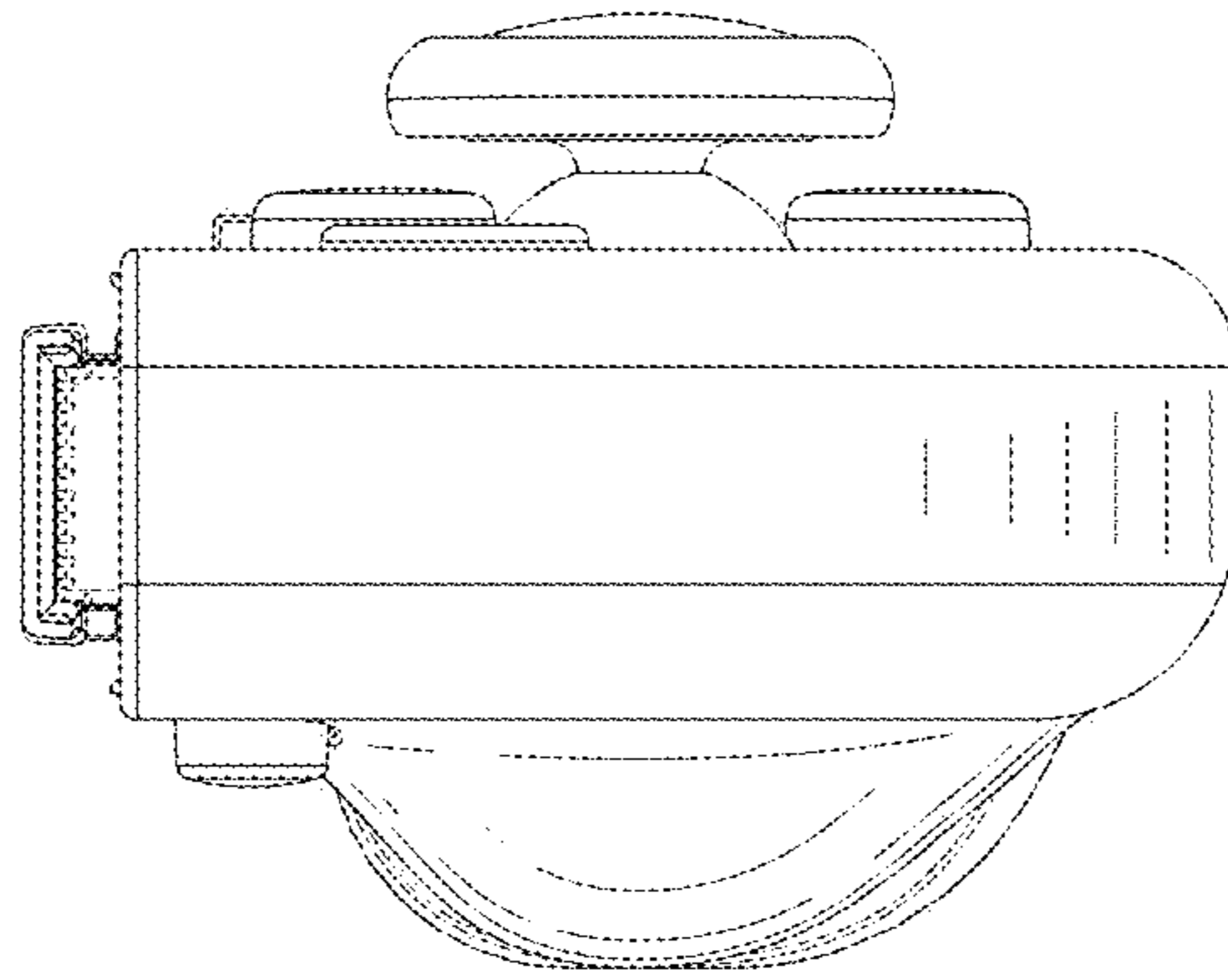
**FIG. 3**



**FIG. 4**

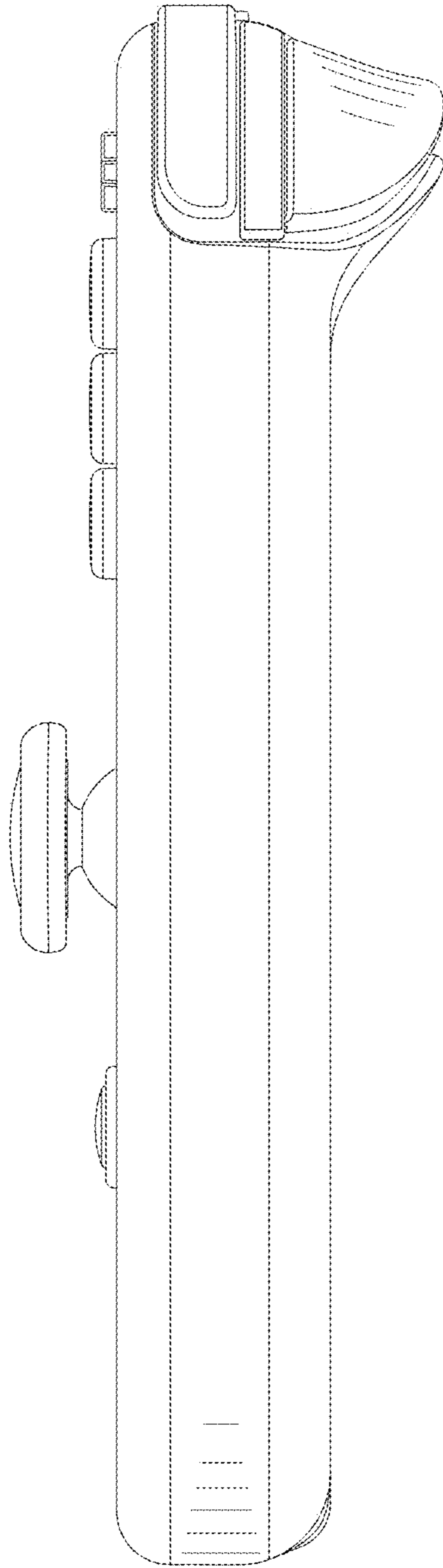


**FIG. 5**

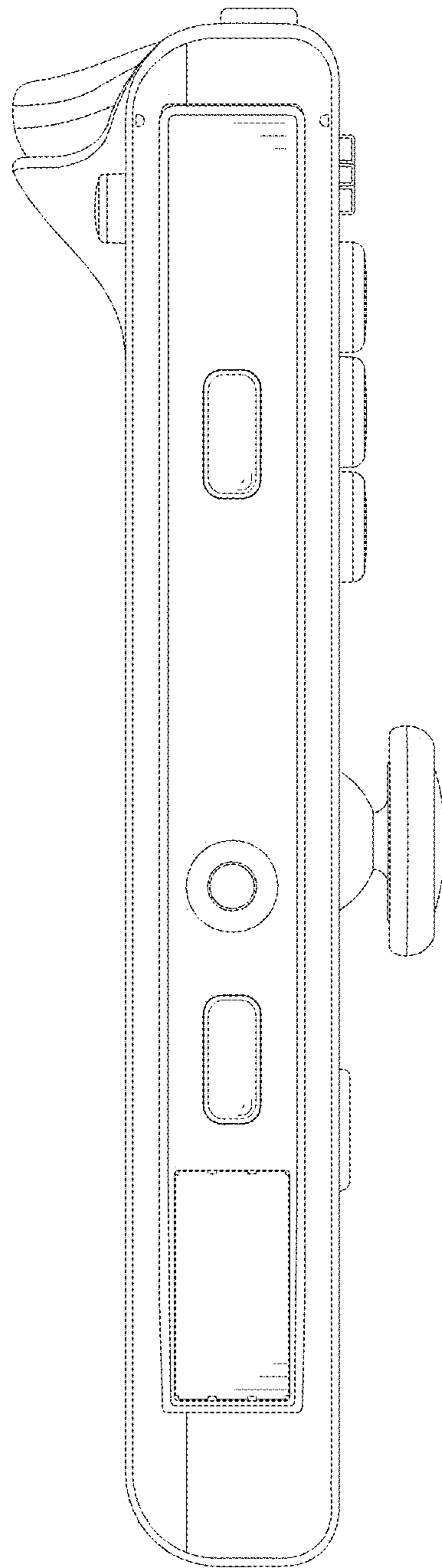


**FIG. 6**





**FIG. 7**



**FIG. 8**