



US00D876549S

(12) **United States Design Patent** (10) **Patent No.:** **US D876,549 S**
Wolters (45) **Date of Patent:** **** Feb. 25, 2020**

(54) **GOLF-BASED BEAN BAG TOSSING GAME PLAYING SURFACE**

(71) Applicant: **Mark Theodore Wolters**, Encino, CA (US)

(72) Inventor: **Mark Theodore Wolters**, Encino, CA (US)

(**) Term: **15 Years**

(21) Appl. No.: **29/672,291**

(22) Filed: **Dec. 4, 2018**

(51) **LOC (12) Cl.** **21-01**

(52) **U.S. Cl.**
USPC **D21/303**; D21/302; D21/319; D21/315;
D21/316

(58) **Field of Classification Search**
USPC D21/300–307, 315, 318, 319, 331, 334,
D21/335, 342, 386, 699, 705, 731, 771,
D21/780, 789, 790, 791, 804, 805;
473/164, 172, 197, 436, 569, 578
CPC A63B 63/00; A63B 71/022; A63B 65/00;
A63B 1/00; A63B 67/00; A63F 1/067;
A47B 25/00

See application file for complete search history.

(56) **References Cited**

U.S. PATENT DOCUMENTS

D330,227 S *	10/1992	Franklin	D21/303
7,325,807 B1 *	2/2008	Eason	A63F 7/0005 273/342
D600,286 S *	9/2009	Pruitt	D21/303
D635,197 S *	3/2011	Pryor	D21/303
D645,520 S *	9/2011	Dahl	D21/303
D672,824 S *	12/2012	Boi	D21/302
D673,224 S *	12/2012	Boi	D21/302
D706,353 S *	6/2014	Montenare	D21/303
D706,354 S *	6/2014	Montenare	D21/303

D706,355 S *	6/2014	Montenare	D21/303
D721,137 S *	1/2015	Sindaco	D21/303
D806,172 S *	12/2017	Wolters	D21/303
D807,964 S *	1/2018	Coran	D21/303
D808,465 S *	1/2018	Wolters	D21/303
2010/0066023 A1 *	3/2010	Garbowitz	A63B 67/06 273/400
2014/0151963 A1 *	6/2014	Bennett	A63B 67/06 273/348
2017/0173427 A1 *	6/2017	Wolters	A63B 67/06
2017/0173428 A1 *	6/2017	Wolters	A63B 67/06
2018/0036630 A1 *	2/2018	Wilder	A63B 67/06

* cited by examiner

Primary Examiner — Sandra S Snapp
Assistant Examiner — Mehri F Bajoul

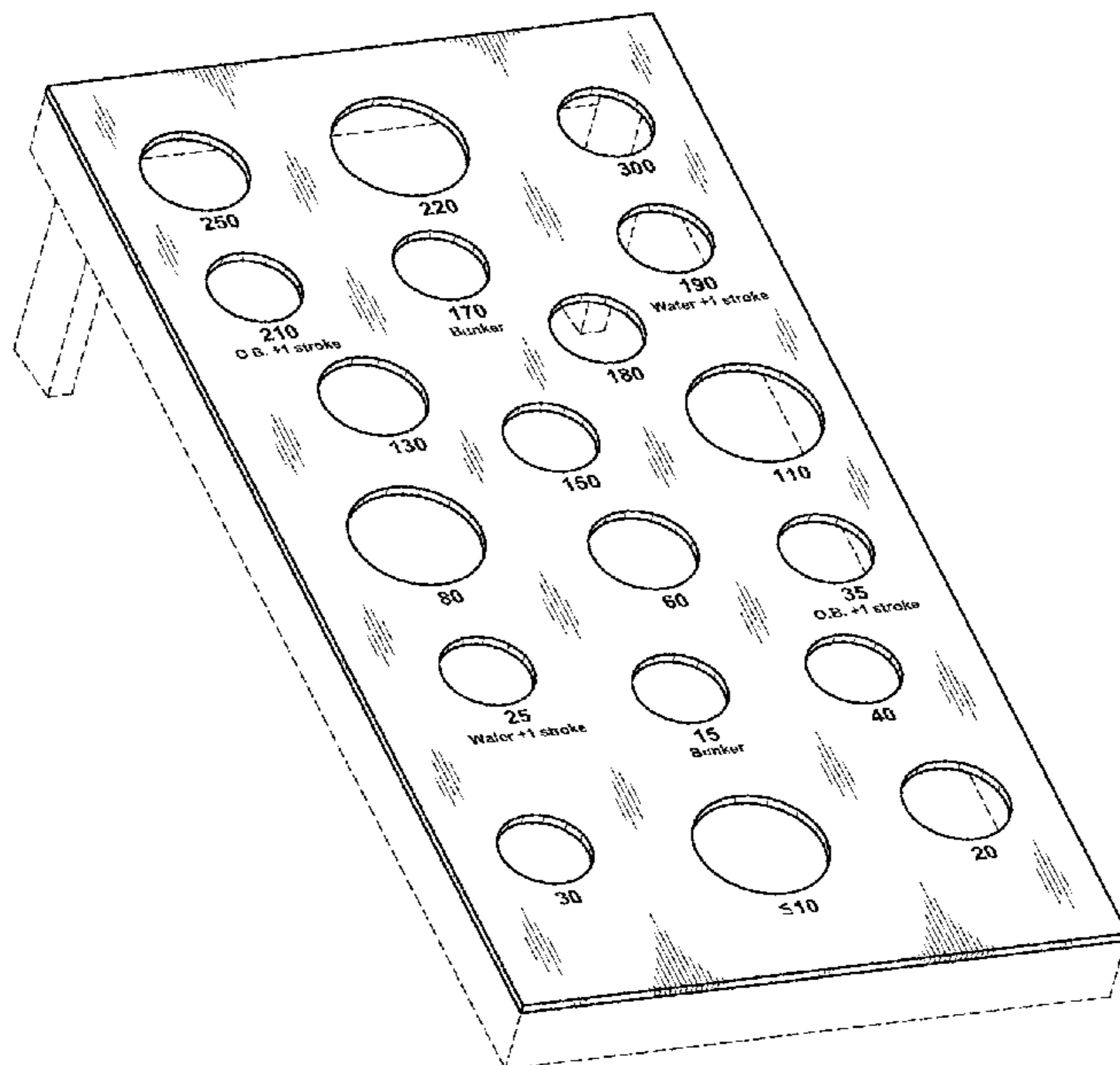
(57) **CLAIM**

The ornamental design for a golf-based bean bag tossing game playing surface, as shown and described.

DESCRIPTION

FIG. 1 is a top plan view of a golf-based bean bag tossing game playing surface showing my new design; FIG. 2 is a bottom plan view of the golf-based bean bag tossing game playing surface shown in FIG. 1; FIG. 3 is a left-side elevation view of the golf-based bean bag tossing game playing surface shown in FIG. 1; FIG. 4 is a right-side elevation view of the golf-based bean bag tossing game playing surface shown in FIG. 1; FIG. 5 is a front elevation view of the golf-based bean bag tossing game playing surface shown in FIG. 1; FIG. 6 is a rear elevation view of the golf-based bean bag tossing game playing surface shown in FIG. 1; and, FIG. 7 is a top perspective view of the golf-based bean bag tossing game playing surface shown in FIG. 1. The dashed lines in the drawings depict environmental structure and forms no part of the claimed design.

1 Claim, 4 Drawing Sheets



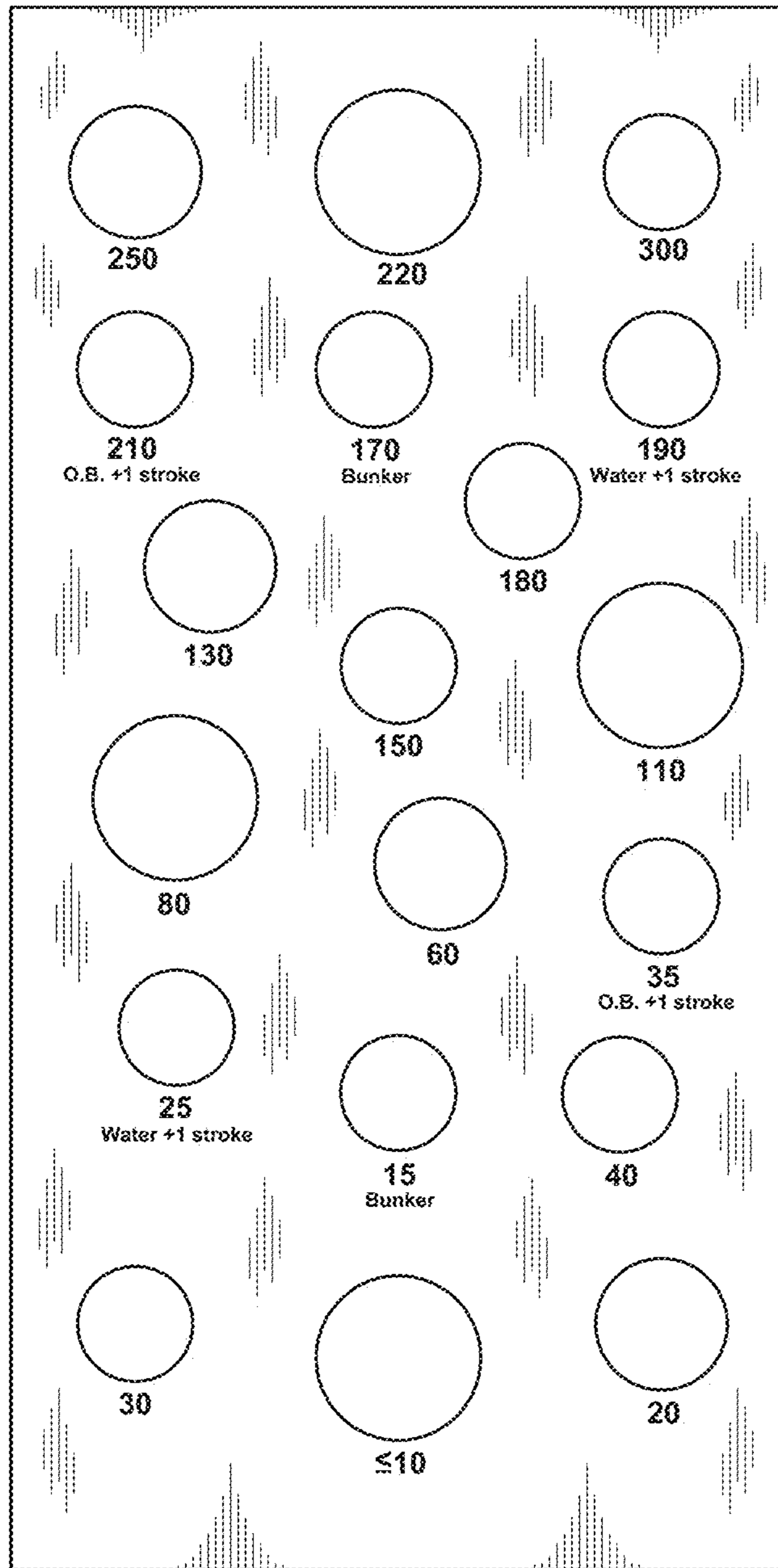


FIG. 1

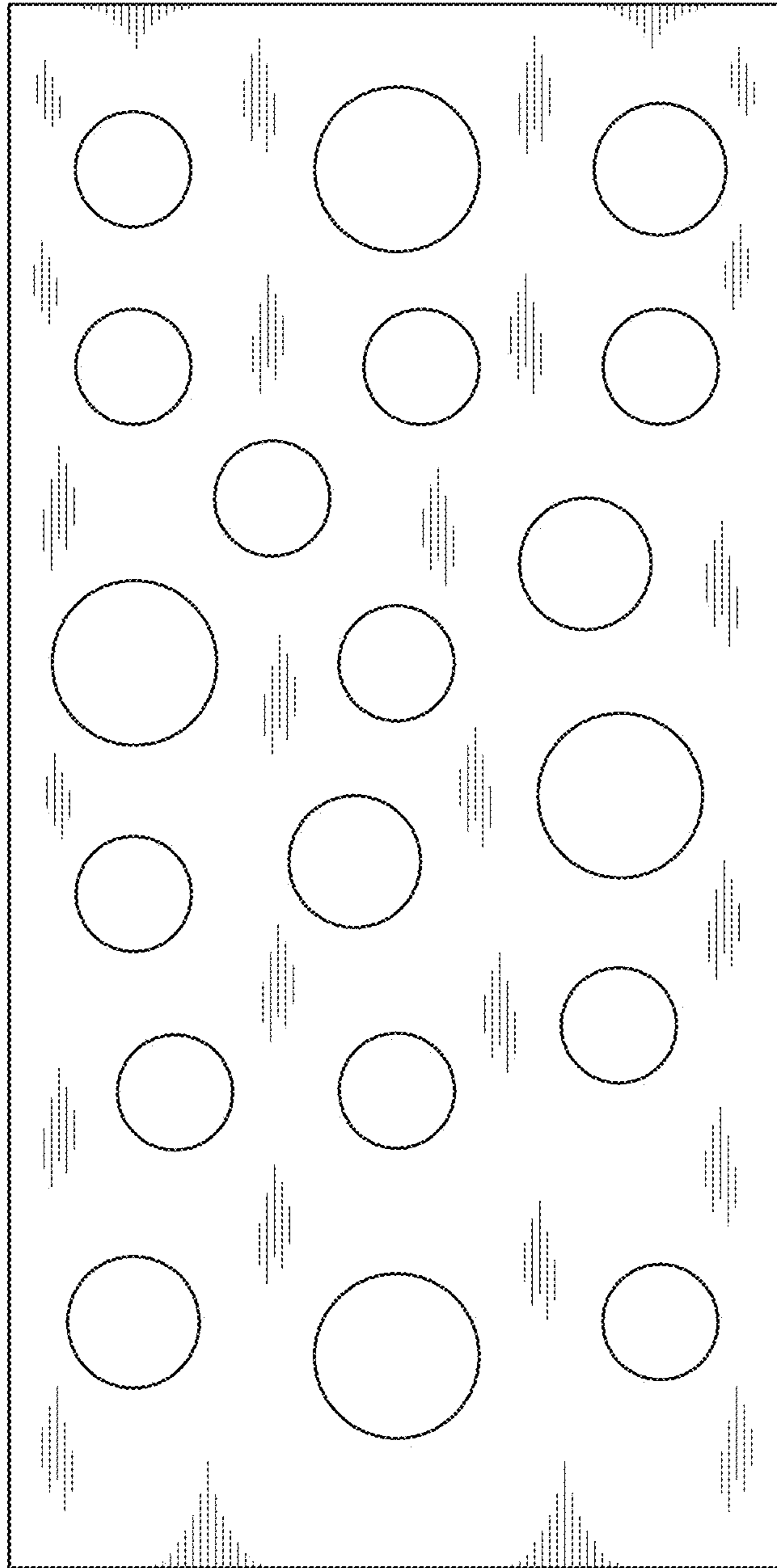


FIG. 2



FIG. 3

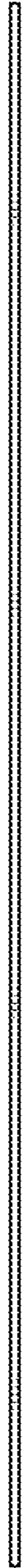


FIG. 4

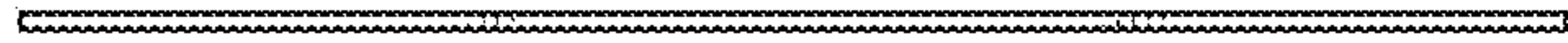


FIG. 5



FIG. 6

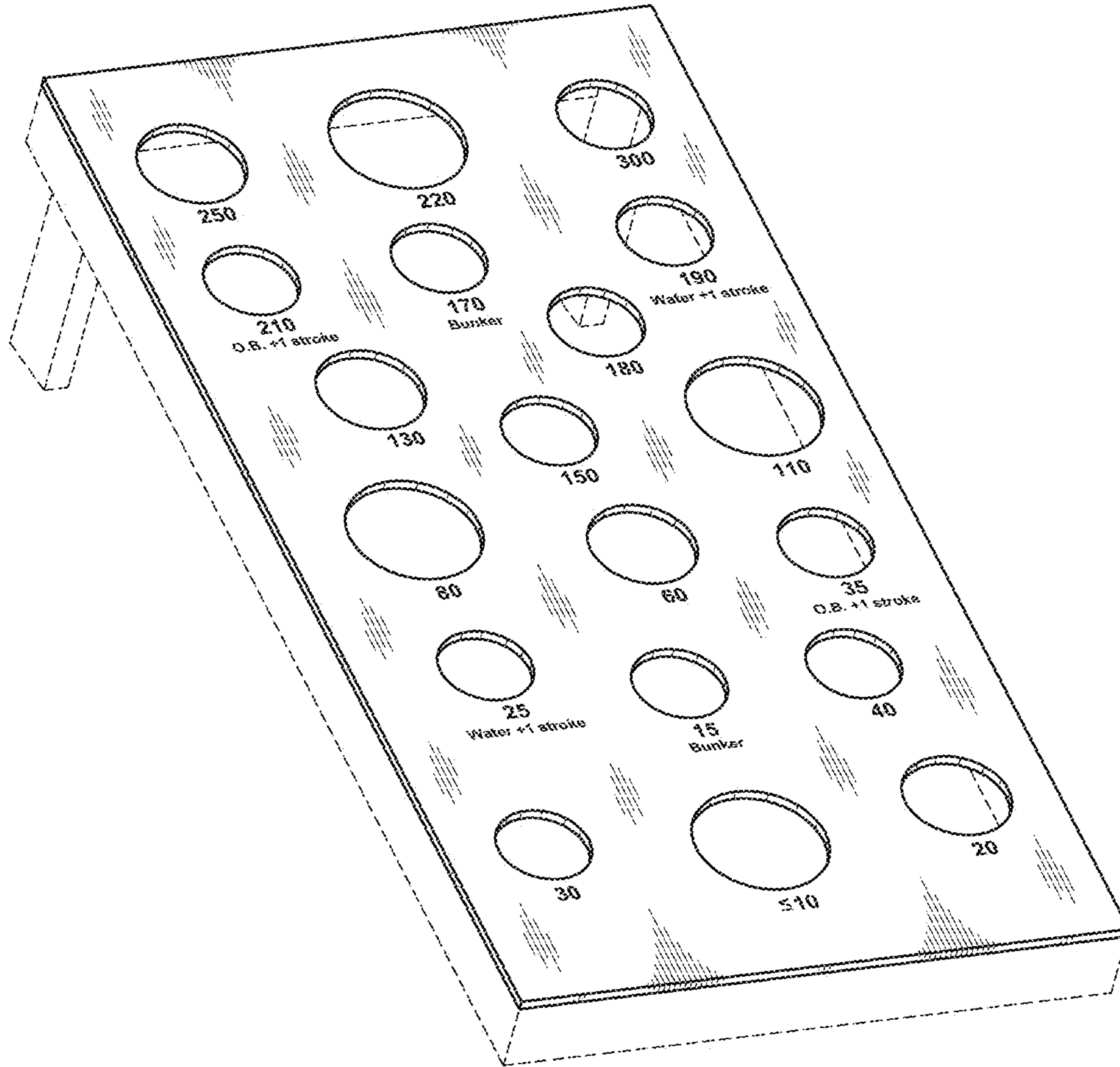


FIG. 7