



US00D876547S

(12) **United States Design Patent** (10) **Patent No.:** **US D876,547 S**
Kinner (45) **Date of Patent:** **** Feb. 25, 2020**

(54) **FLYING DISK GAME TARGET STAND**

D478,939 S * 8/2003 McReynolds D21/302
D481,763 S * 11/2003 Roy D21/304
D506,219 S * 6/2005 Eason D16/244
D509,261 S * 9/2005 Tebbe D21/452
D549,015 S * 8/2007 Petrick D6/681

(71) Applicant: **Omnigames Inc.**, Colorado Springs,
CO (US)

(Continued)

(72) Inventor: **Michael Kinner**, Colorado Springs, CO
(US)

OTHER PUBLICATIONS

(73) Assignee: **Omnigames Inc.**, Colorado Springs,
CO (US)

“Professional Backdrop”, posted Jun. 12, 2014 [online], [retrieved
Mar. 11, 2019. Retrieved from internet, https://www.amazon.com/Professional-Telescopic-Photography-Backdrop-Display/dp/B00JWL4T6Y/ref=cm_cr_ar_p_d_product_top?ie=UTF8.*

(**) Term: **15 Years**

(Continued)

(21) Appl. No.: **29/637,258**

Primary Examiner — Sandra S Snapp
Assistant Examiner — Mehri F Bajoul

(22) Filed: **Feb. 15, 2018**

(74) *Attorney, Agent, or Firm* — Martensen IP

(51) **LOC (12) Cl.** **21-01**

(52) **U.S. Cl.**
USPC **D21/301**

(57) **CLAIM**

(58) **Field of Classification Search**
USPC D21/301, 302, 322, 458, 570, 790, 797;
D6/310–313, 496, 708.16; 273/177 R,
273/181 R, 407; 116/173; 102/374
CPC A63B 67/06; F41J 1/10; F41J 5/22; A63F
2250/0407
See application file for complete search history.

The ornamental design for the flying disk game target stand,
as shown and described.

DESCRIPTION

(56) **References Cited**

The present application is related to commonly assigned
U.S. Design patent application Ser. No. 29/635,364 filed 30
Jan. 2018.

U.S. PATENT DOCUMENTS

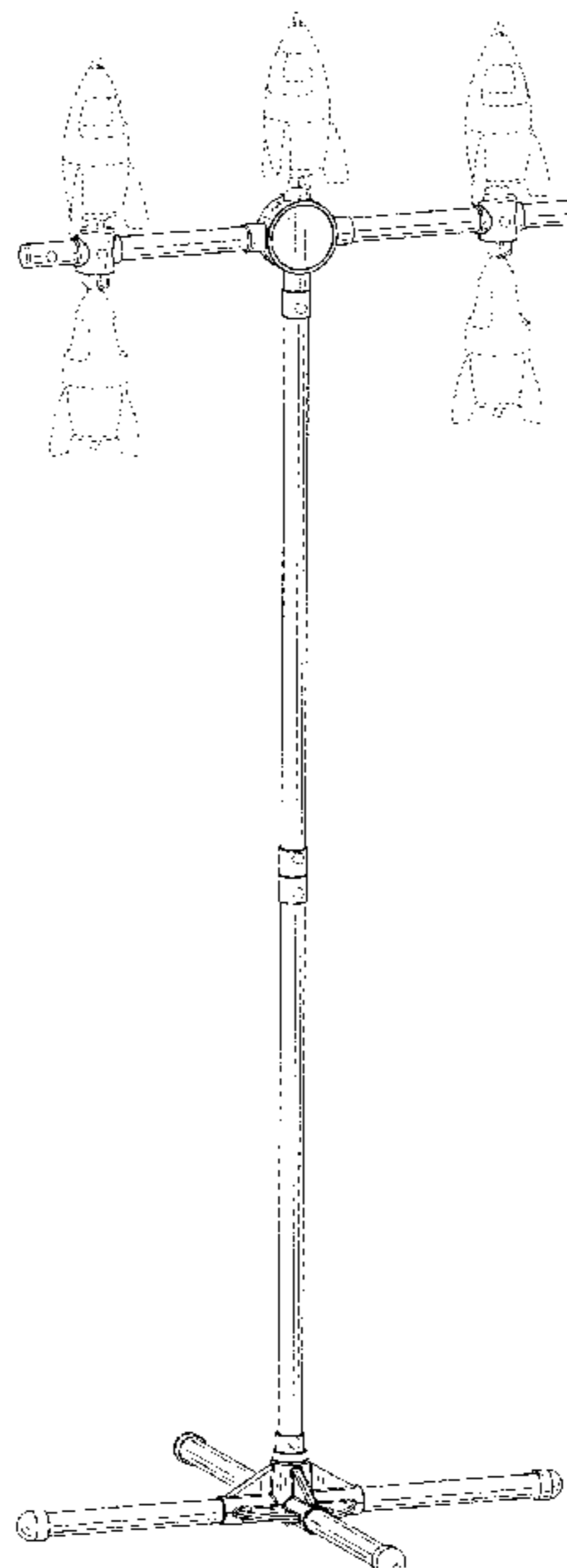
FIG. 1 is a front left perspective view of a flying disk game
target stand showing our new design.

D329,665 S * 9/1992 Carroll D21/306
D346,081 S * 4/1994 Turner D6/681.1
D346,844 S * 5/1994 D’Andrade D21/452
5,441,267 A * 8/1995 Alder G09F 17/00
116/173
5,564,661 A * 10/1996 Gershon A47B 19/002
248/167
D405,834 S * 2/1999 Weng D21/302
D415,805 S * 10/1999 Wygonik D16/244
D438,914 S * 3/2001 O’Rourke D21/452

FIG. 2 is a front view of the flying disk game target stand.
FIG. 3 is a back view of the flying disk game target stand.
FIG. 4 is a right side view of the flying disk game target
stand.

FIG. 5 is a left side view of the flying disk game target stand.
FIG. 6 is a top view of the flying disk game target stand; and,
FIG. 7 is a bottom view of the flying disk game target stand.
The broken lines showing rocket target game accessories
depict environment and form no part of the claimed design.

1 Claim, 7 Drawing Sheets



(56)

References Cited

U.S. PATENT DOCUMENTS

D626,181 S * 10/2010 Lima D21/302
D634,789 S * 3/2011 Hoge, Jr. D21/302
D670,752 S * 11/2012 Barber D16/242
D671,598 S * 11/2012 Makaruk D21/302
D672,169 S * 12/2012 Linder D6/708.16
D738,431 S * 9/2015 Fiske D21/302
D788,876 S * 6/2017 Brooks D22/113
2005/0082761 A1* 4/2005 Lynch A63B 63/00
273/343
2018/0333627 A1* 11/2018 Kinner A63B 67/06

OTHER PUBLICATIONS

“Gigglen go knock off toss game”, posted Nov. 9, 2018 [online],
[retrieved Mar. 11, 2019]. Retrieved from internet, https://www.amazon.com/GIGGLE-GO-Knock-Toss-Game/product-reviews/B07DVLY49J/ref=cm_cr_arp_d_viewopt_srt?ie=UTF8&reviewerType=all_reviews&sortBy=recent&pageNumber=1.*

* cited by examiner

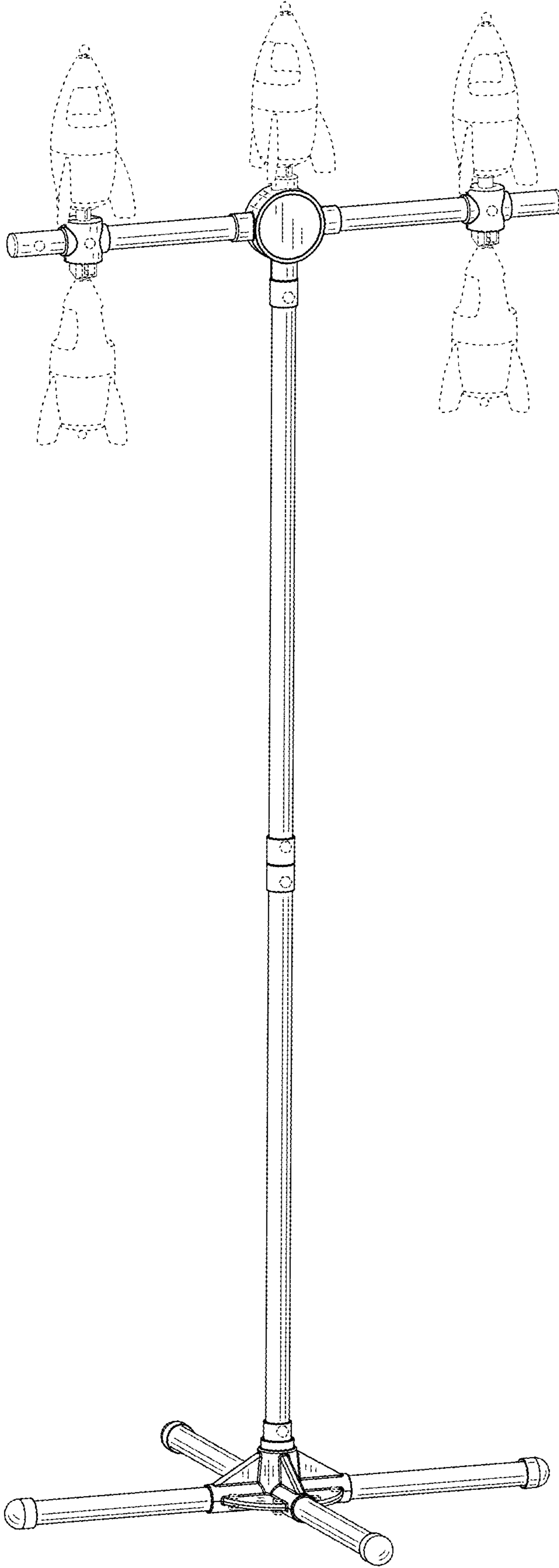


FIG.1

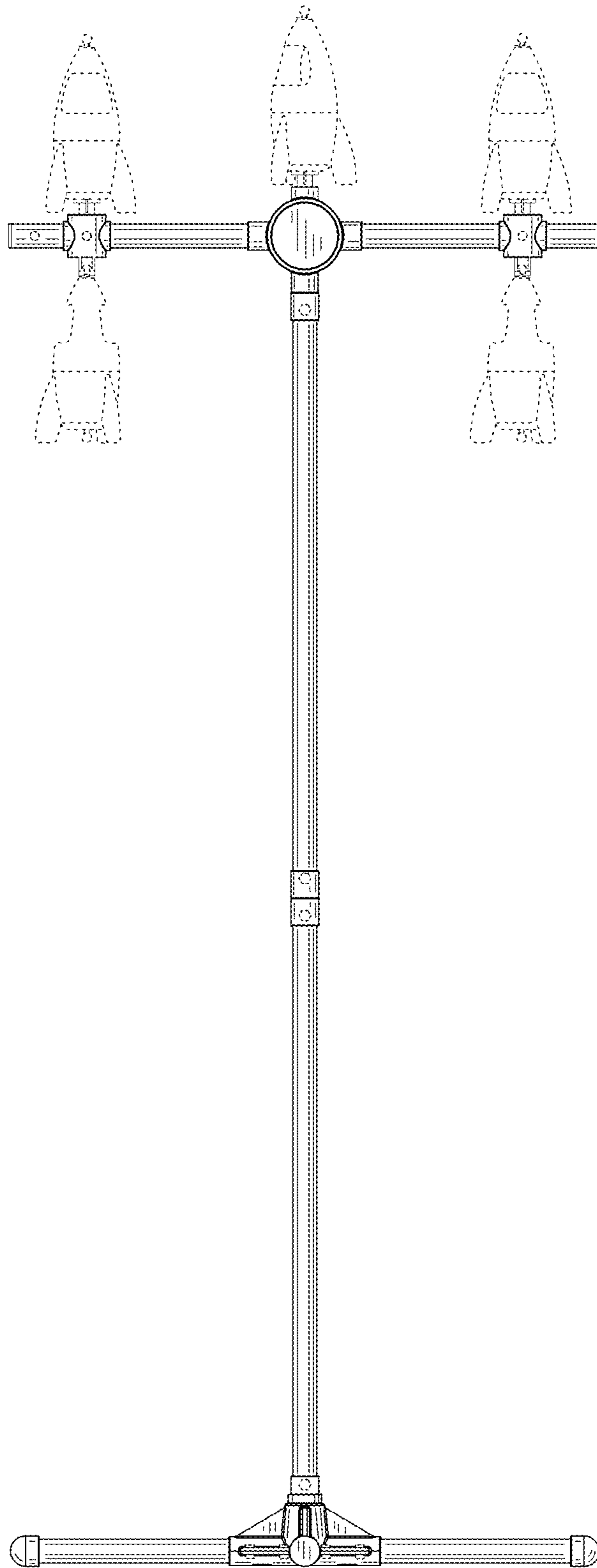


FIG.2

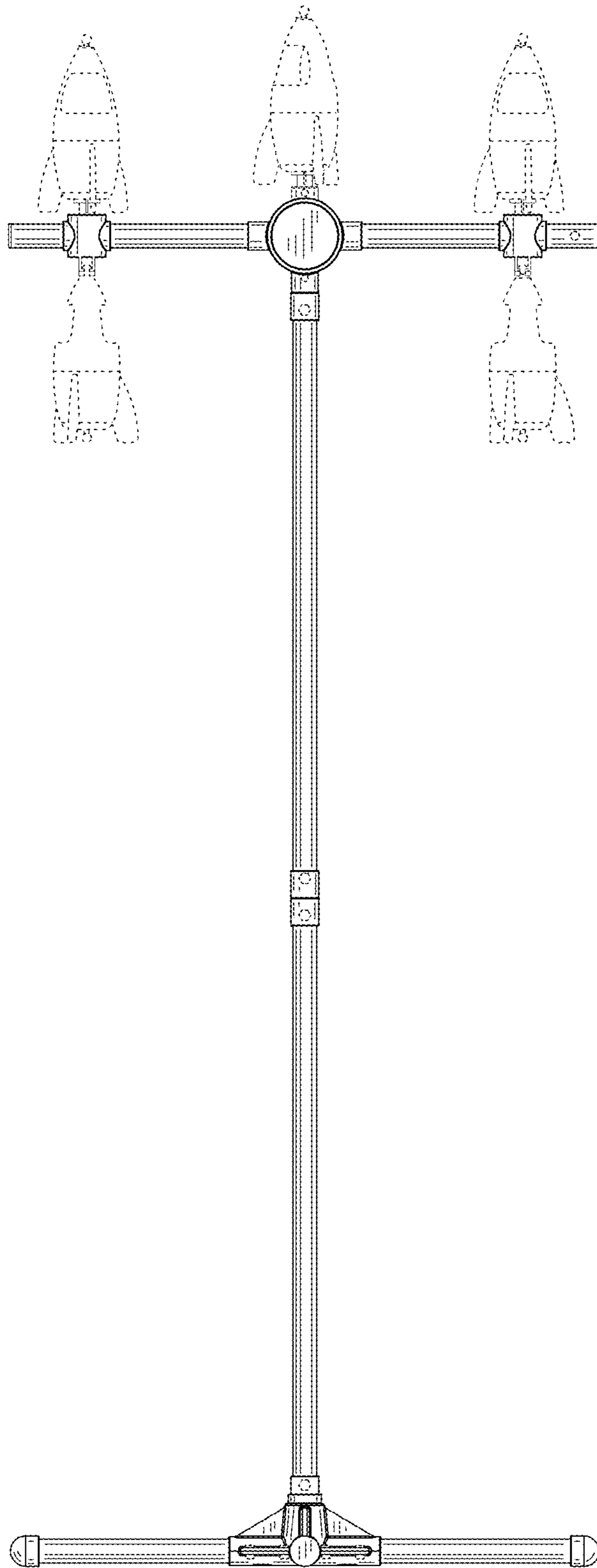


FIG.3

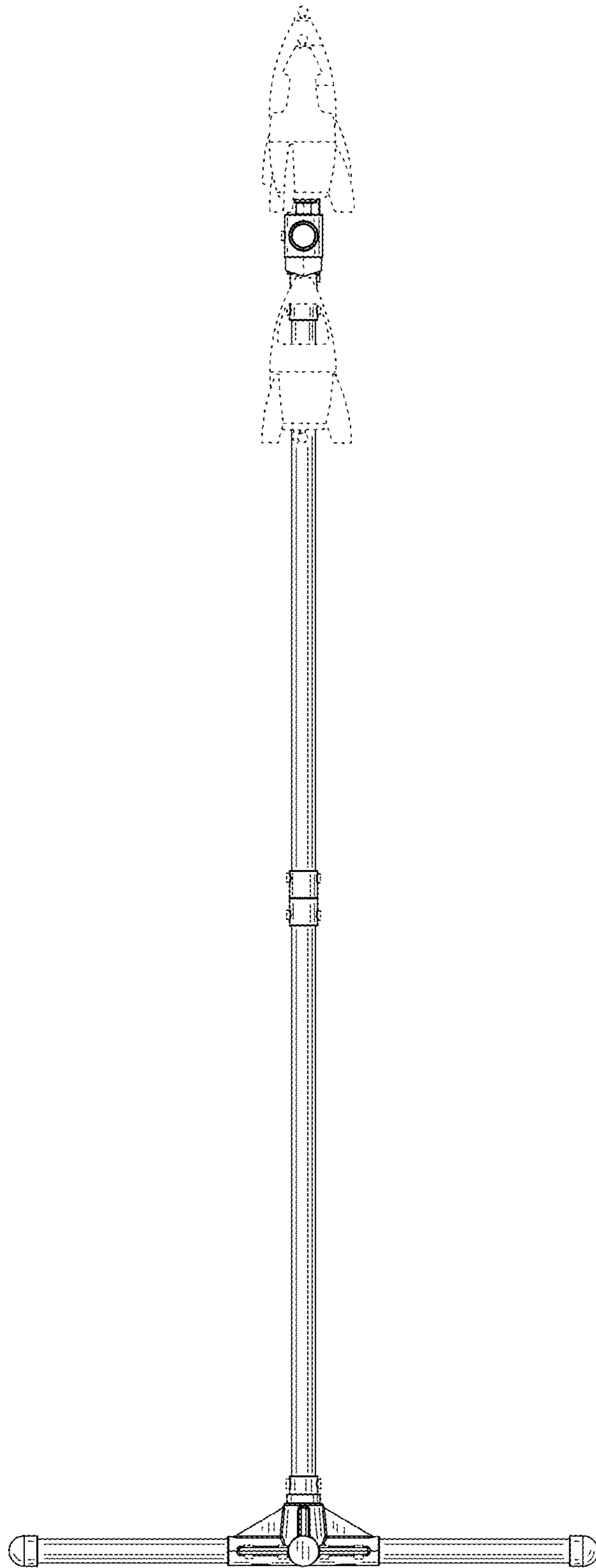


FIG.4

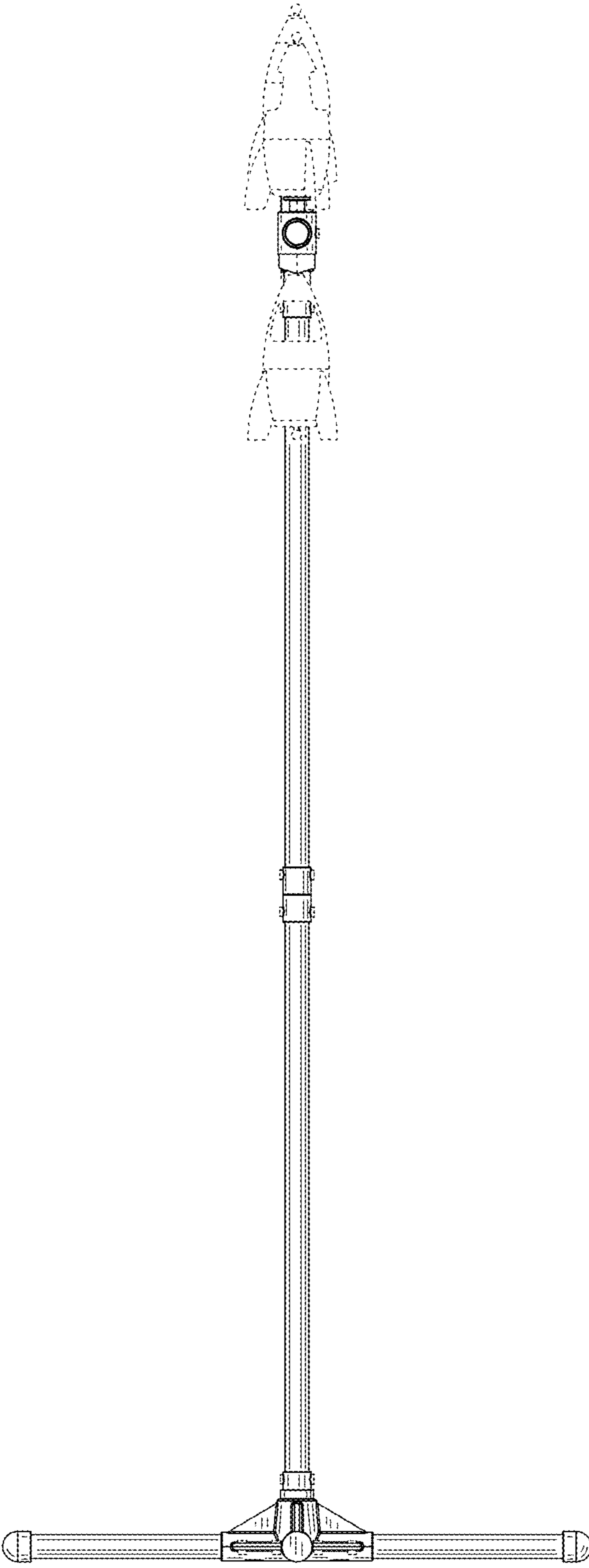


FIG.5

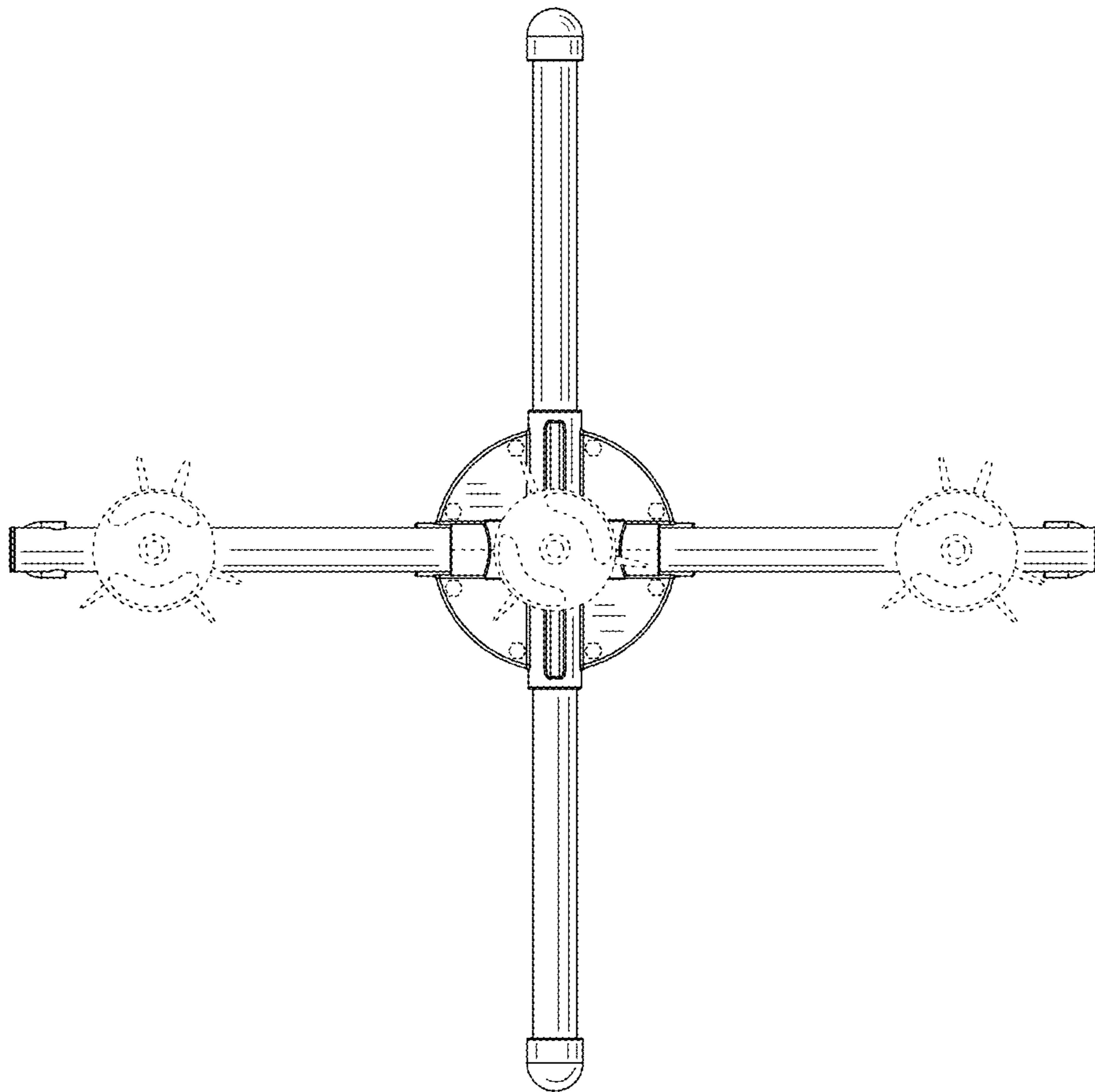


FIG.6

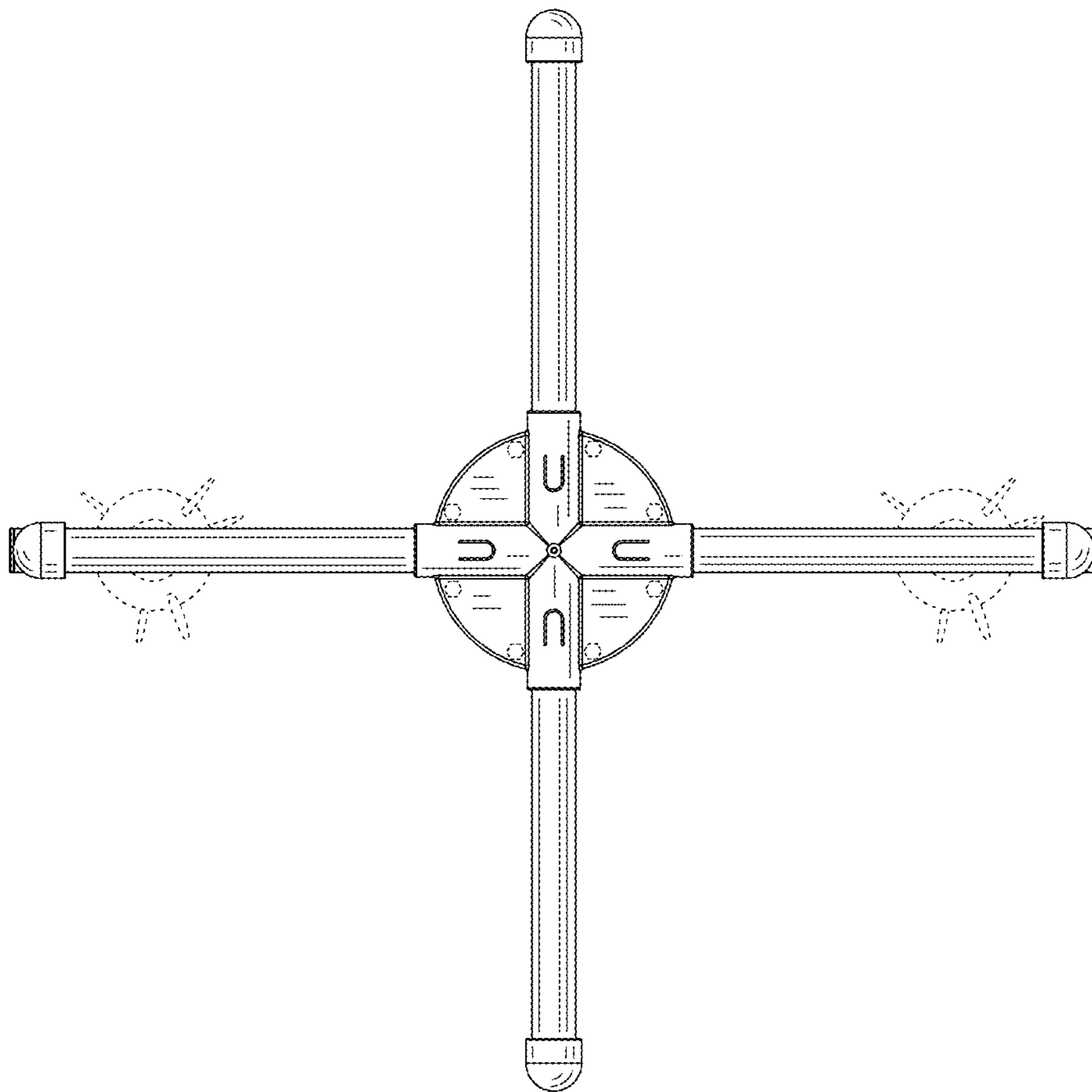


FIG.7