



US00D876544S

(12) **United States Design Patent**  
**Hwang et al.**

(10) **Patent No.:** **US D876,544 S**

(45) **Date of Patent:** **\*\* Feb. 25, 2020**

(54) **DIGITAL SIGNAGE**  
(71) Applicant: **LG ELECTRONICS INC.**, Seoul (KR)  
(72) Inventors: **Jungyeon Hwang**, Seoul (KR); **Yongho Lee**, Seoul (KR)  
(73) Assignee: **LG Electronics Inc.**, Seoul (KR)  
(\*\*) Term: **15 Years**  
(21) Appl. No.: **35/505,889**  
(22) Filed: **Apr. 17, 2018**

3,579,885 A \* 5/1971 Iverson ..... G09F 7/18  
40/607.03  
3,952,437 A \* 4/1976 Mitchell ..... G09F 1/12  
40/720  
D240,469 S \* 7/1976 Bissell ..... D20/10  
D246,274 S \* 11/1977 Nelson ..... D6/301  
D305,778 S \* 1/1990 Caulk ..... D20/21  
D322,096 S \* 12/1991 Adams ..... D20/21  
5,249,771 A \* 10/1993 Wear ..... G09F 7/22  
248/300  
D439,618 S \* 3/2001 Nucci ..... D20/10  
D501,229 S \* 1/2005 Meeks ..... D20/40  
D544,922 S \* 6/2007 Shaffer ..... D20/10  
D546,394 S \* 7/2007 Tanaka ..... D20/39  
D556,264 S \* 11/2007 Tanaka ..... D20/39

(Continued)

(80) **Hague Agreement Data**

Int. Filing Date: **Apr. 17, 2018**  
Int. Reg. No.: **DM/100838**  
Int. Reg. Date: **Apr. 17, 2018**  
Int. Reg. Pub. Date: **Oct. 19, 2018**

**OTHER PUBLICATIONS**

BH Photo Video. LG 55EG5SD-C 55" Dual Side In-Glass Digital Signage OLED Display (Floor Stand Mount). No date specified. [https://www.bhphotovideo.com/c/product/1348042-EGg/lg\\_55eg5sd\\_c\\_55\\_oled\\_dual\\_side.html](https://www.bhphotovideo.com/c/product/1348042-EGg/lg_55eg5sd_c_55_oled_dual_side.html) (Year: 0).\*

(Continued)

(30) **Foreign Application Priority Data**

Oct. 18, 2017 (KR) ..... 30-2017-0048405

(51) **LOC (12) Cl.** ..... **20-03**

(52) **U.S. Cl.**  
USPC ..... **D20/21**

(58) **Field of Classification Search**  
USPC ..... D20/39, 1, 4, 9, 10, 99, 21; D6/300,  
D6/310; D11/9, 15, 40, 43, 79, 141, 142;  
D14/126, 192, 210, 336; D26/37, 52,  
D26/118, 135

CPC ..... G09F 7/00; G06F 1/16  
See application file for complete search history.

(56) **References Cited**

**U.S. PATENT DOCUMENTS**

3,135,063 A \* 6/1964 Ricks ..... G09F 19/14  
40/473  
D205,210 S \* 7/1966 Ford et al. .... D20/21  
D217,417 S \* 4/1970 Trucksess ..... D20/41

*Primary Examiner* — Darcey E Gottschalk

(74) *Attorney, Agent, or Firm* — Birch, Stewart, Kolasch & Birch, LLP

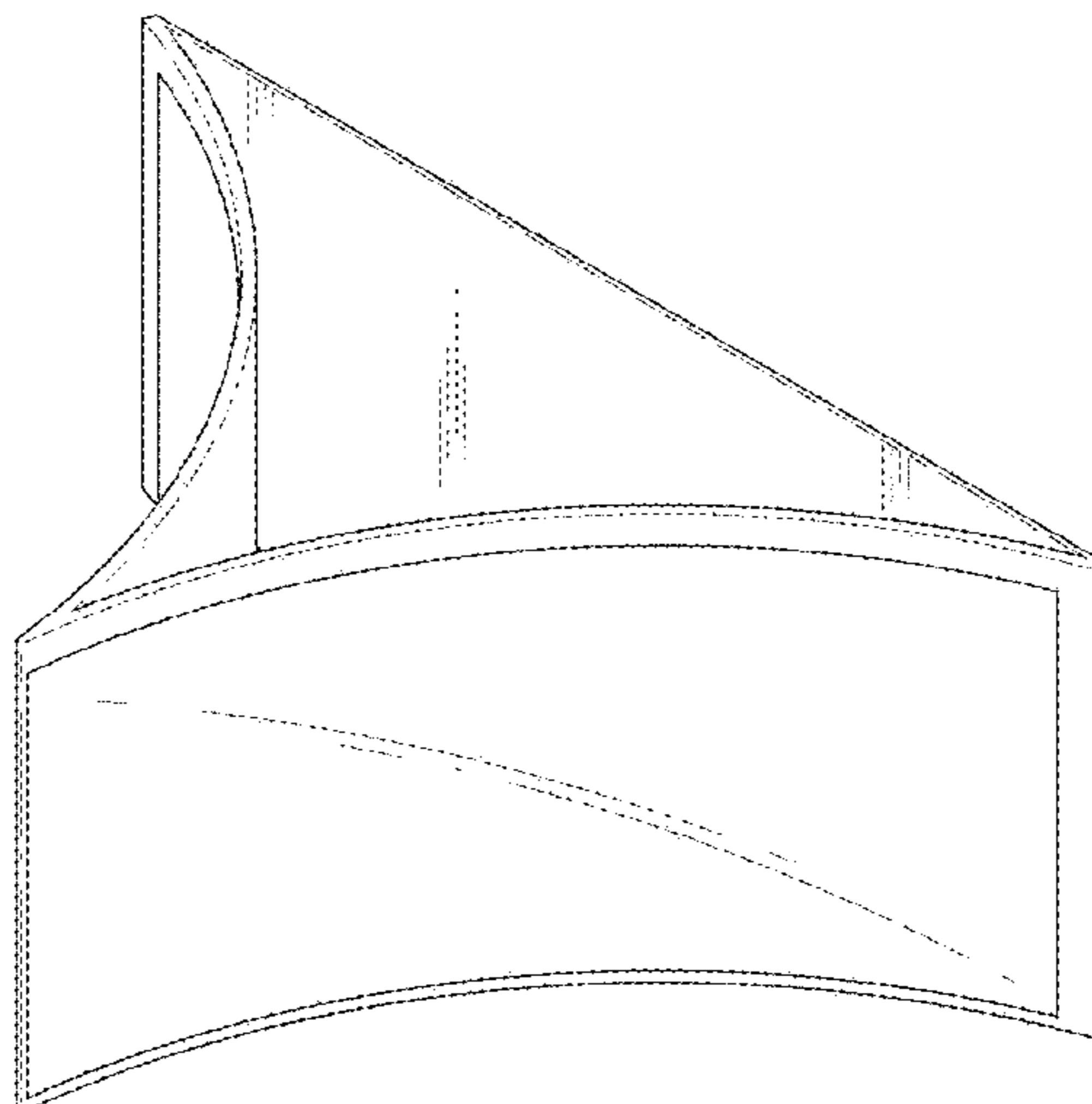
(57) **CLAIM**

The ornamental design for digital signage, as shown and described.

**DESCRIPTION**

- 1. Digital signage
- 1.1 : Perspective
- 1.2 : Front
- 1.3 : Back
- 1.4 : Left
- 1.5 : Right
- 1.6 : Top
- 1.7 : Bottom

**1 Claim, 7 Drawing Sheets**



(56)

**References Cited**

U.S. PATENT DOCUMENTS

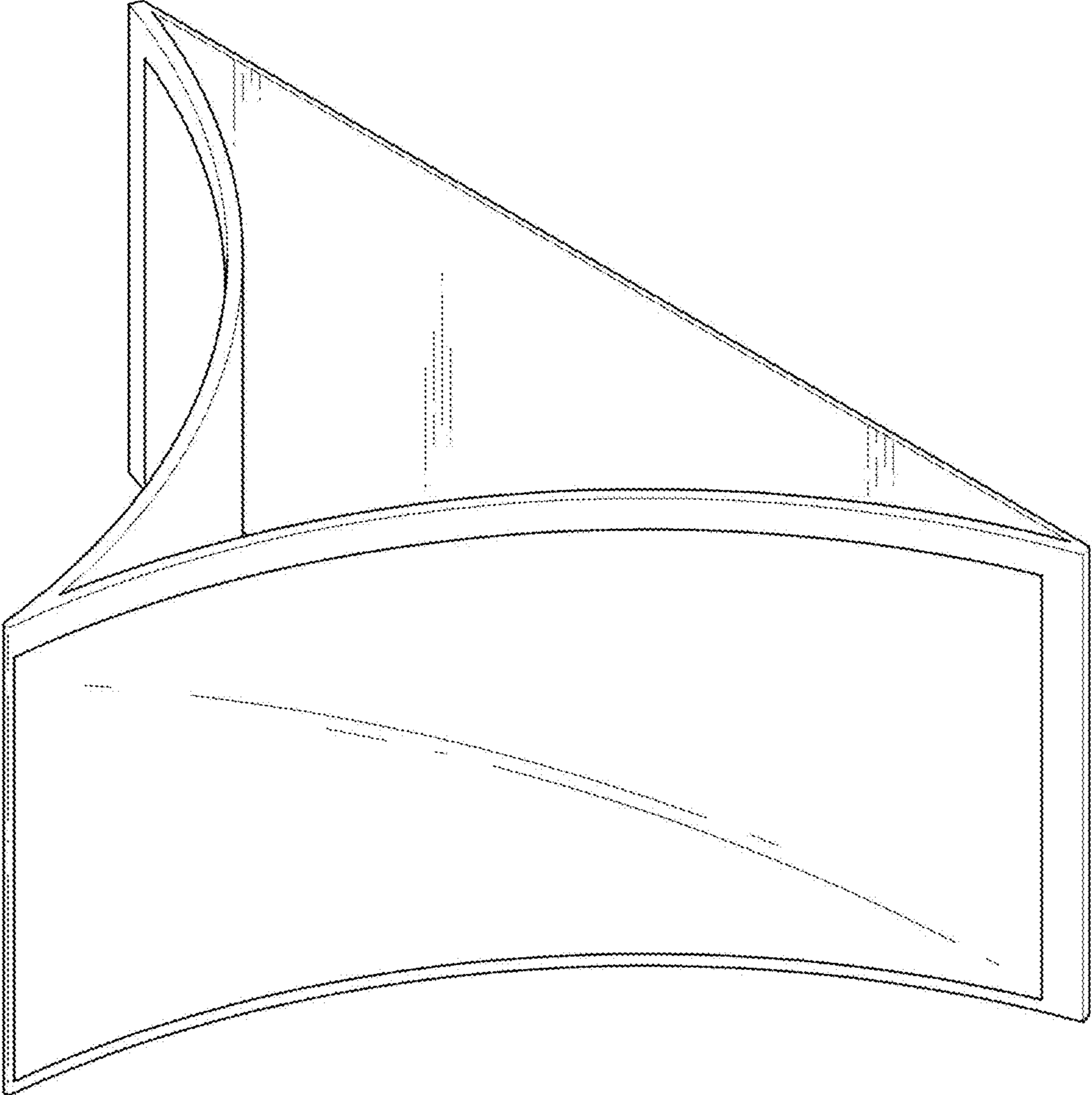
D562,908 S *	2/2008	Schettino .....	D20/39
D578,325 S *	10/2008	Warriner .....	D6/708
D622,068 S *	8/2010	Wisniewski .....	D6/300
D652,163 S *	1/2012	Tsai .....	D26/118
D726,137 S *	4/2015	Lee .....	D14/126
D738,581 S *	9/2015	Elliott .....	D30/160
D818,183 S *	5/2018	Nishimoto .....	D26/118
D823,133 S *	7/2018	Keating .....	D9/737
D831,117 S *	10/2018	Yoon .....	D20/10
D835,595 S *	12/2018	Won .....	D14/126
D842,379 S *	3/2019	Yoon .....	D20/10
D853,682 S *	7/2019	Brown .....	D1/122
2006/0154024 A1 *	7/2006	Saunier .....	A63B 67/00 428/131

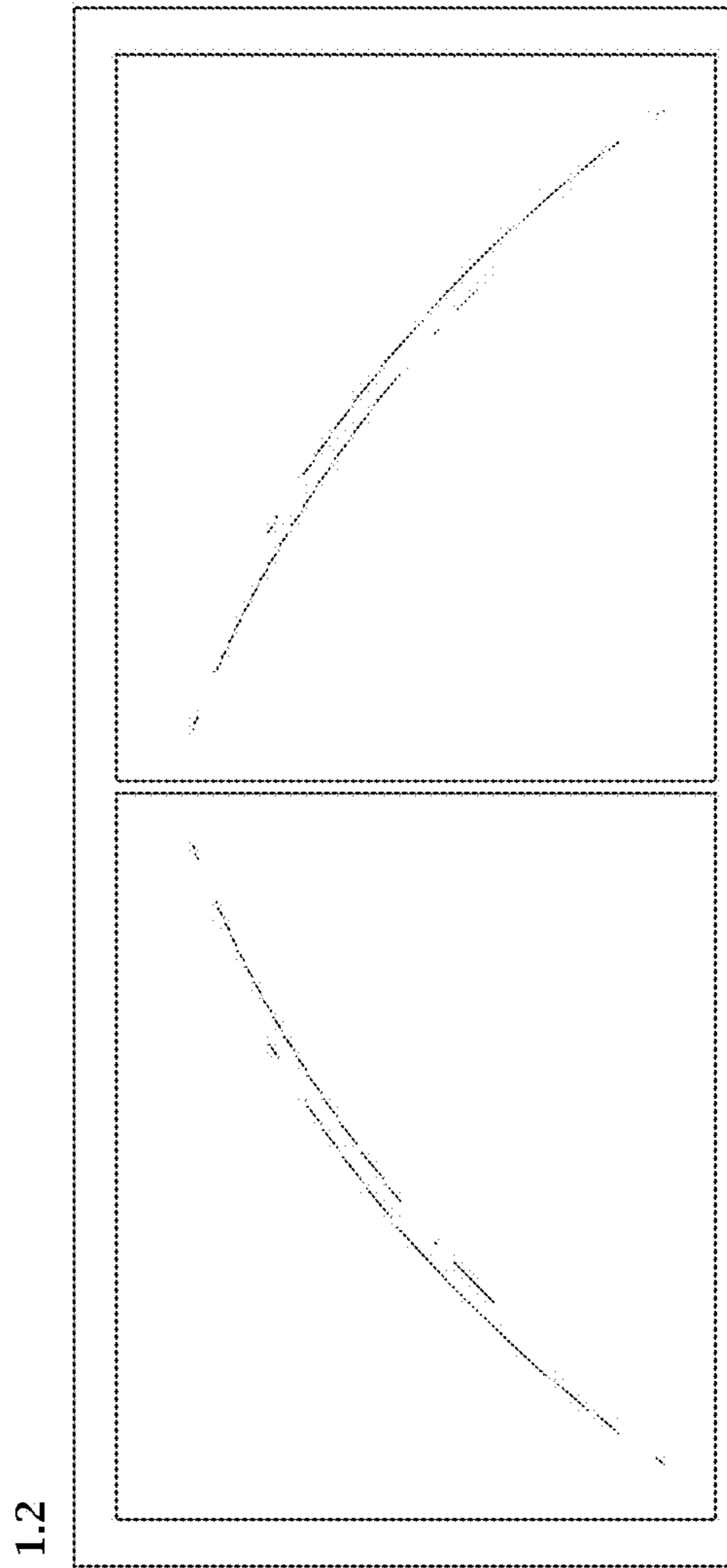
OTHER PUBLICATIONS

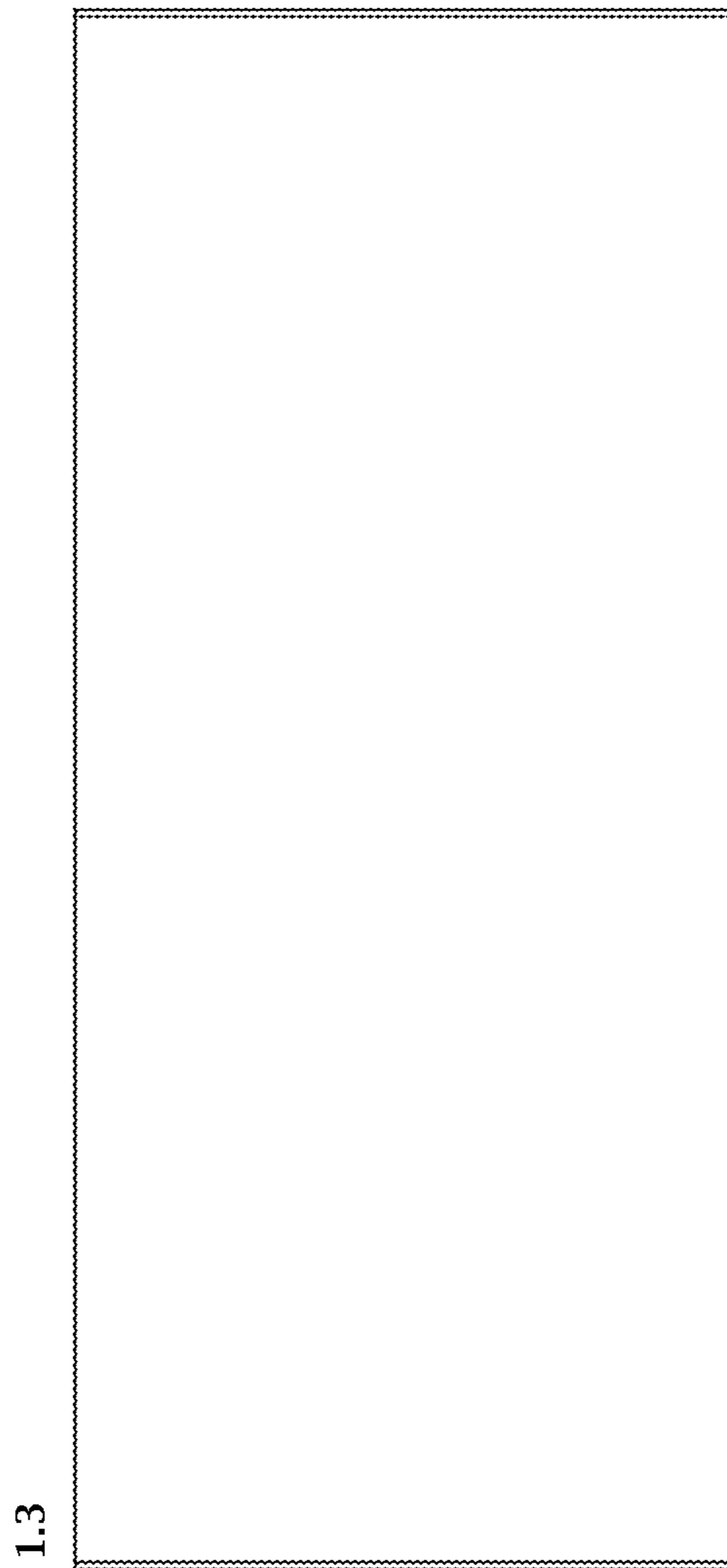
Earth Android. LG Introduces India's First Display 'Signage' with flexible 70 curved LG OLED panels by Prashant Chaudhary. Aug. 3, 2017. <http://www.earthandroid.com/lg-introduces-indias-first-display-signage-with-flexible-70-curved-lg-oled-panels/> (Year: 2017).\*

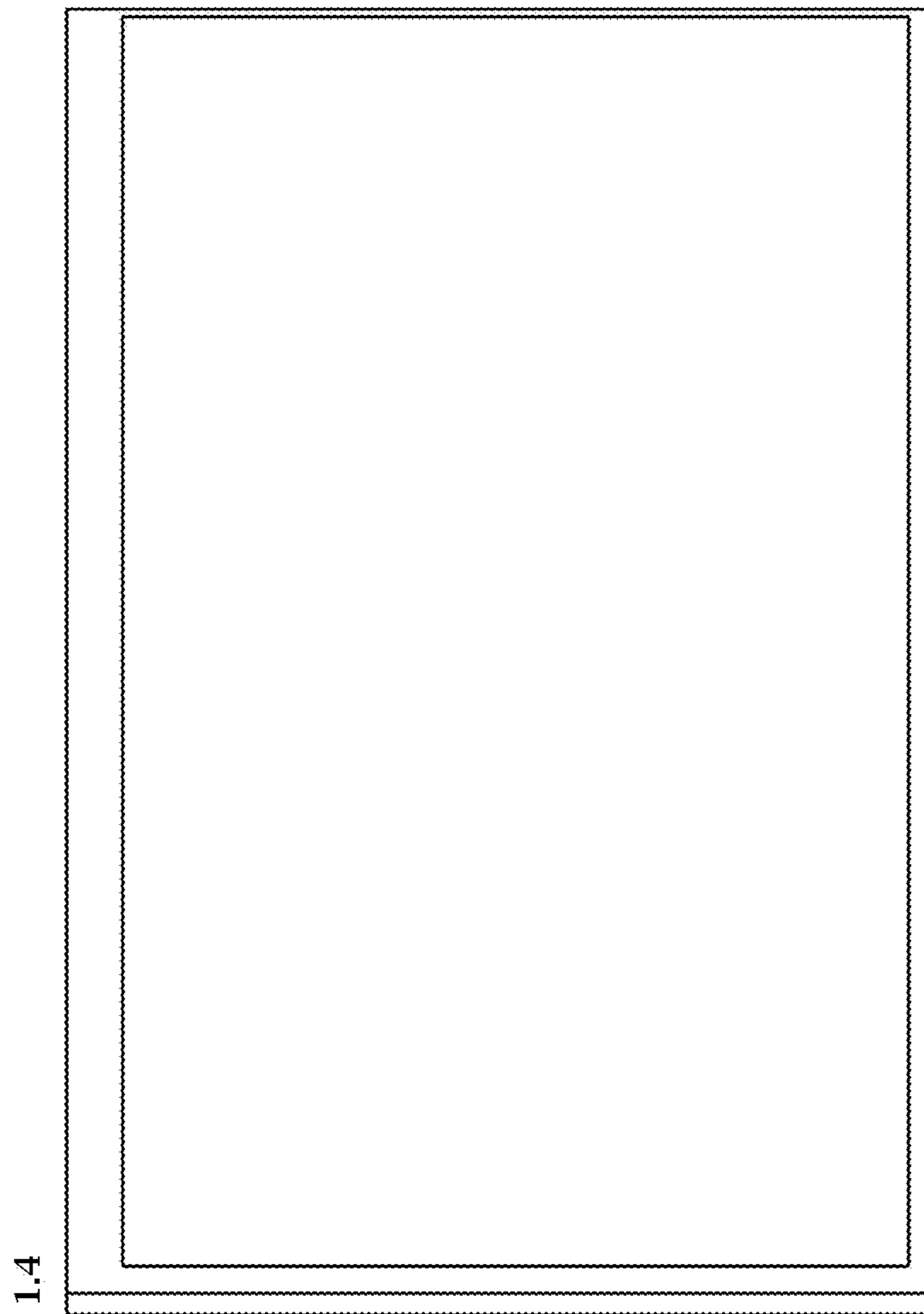
\* cited by examiner

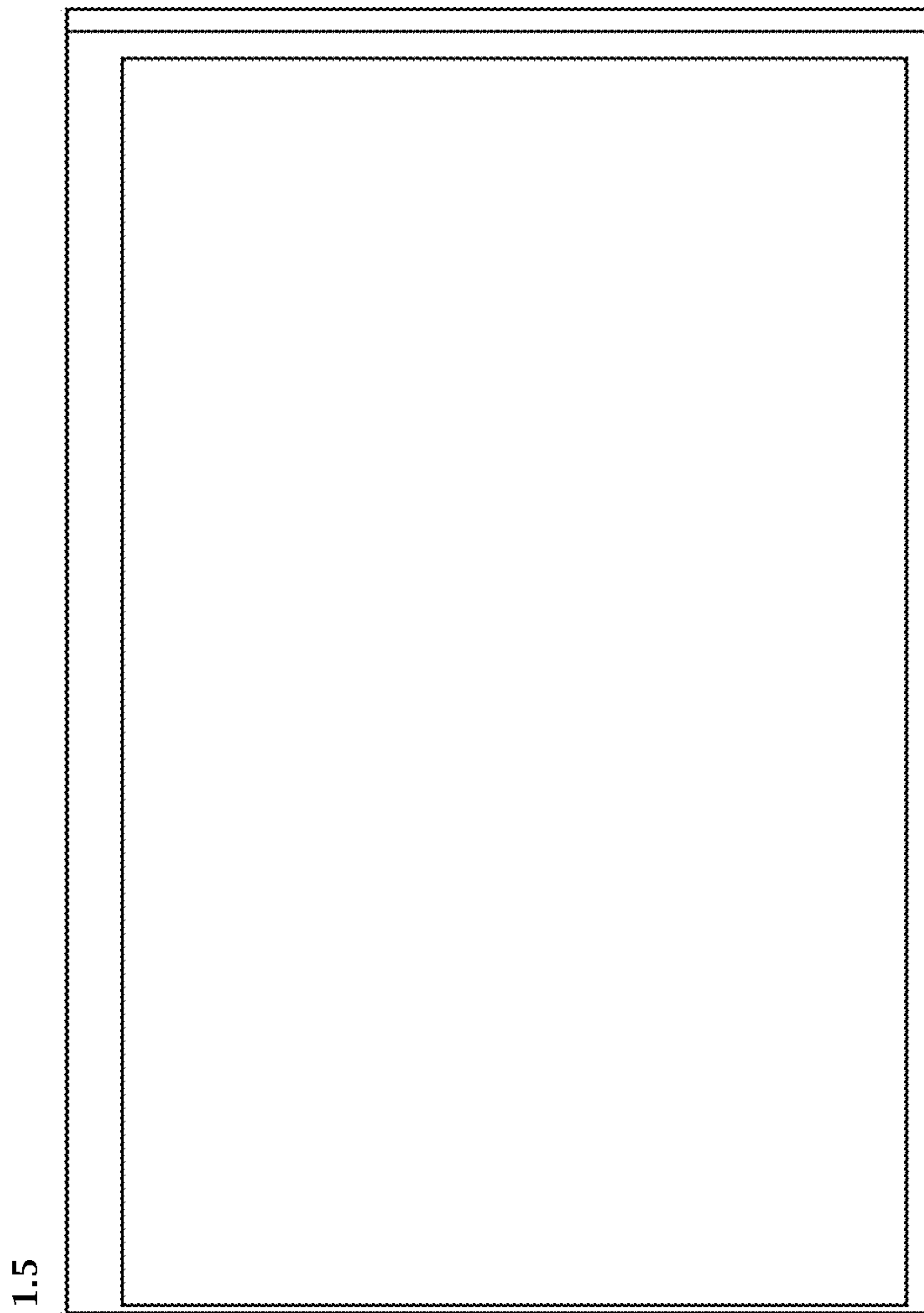
1.1

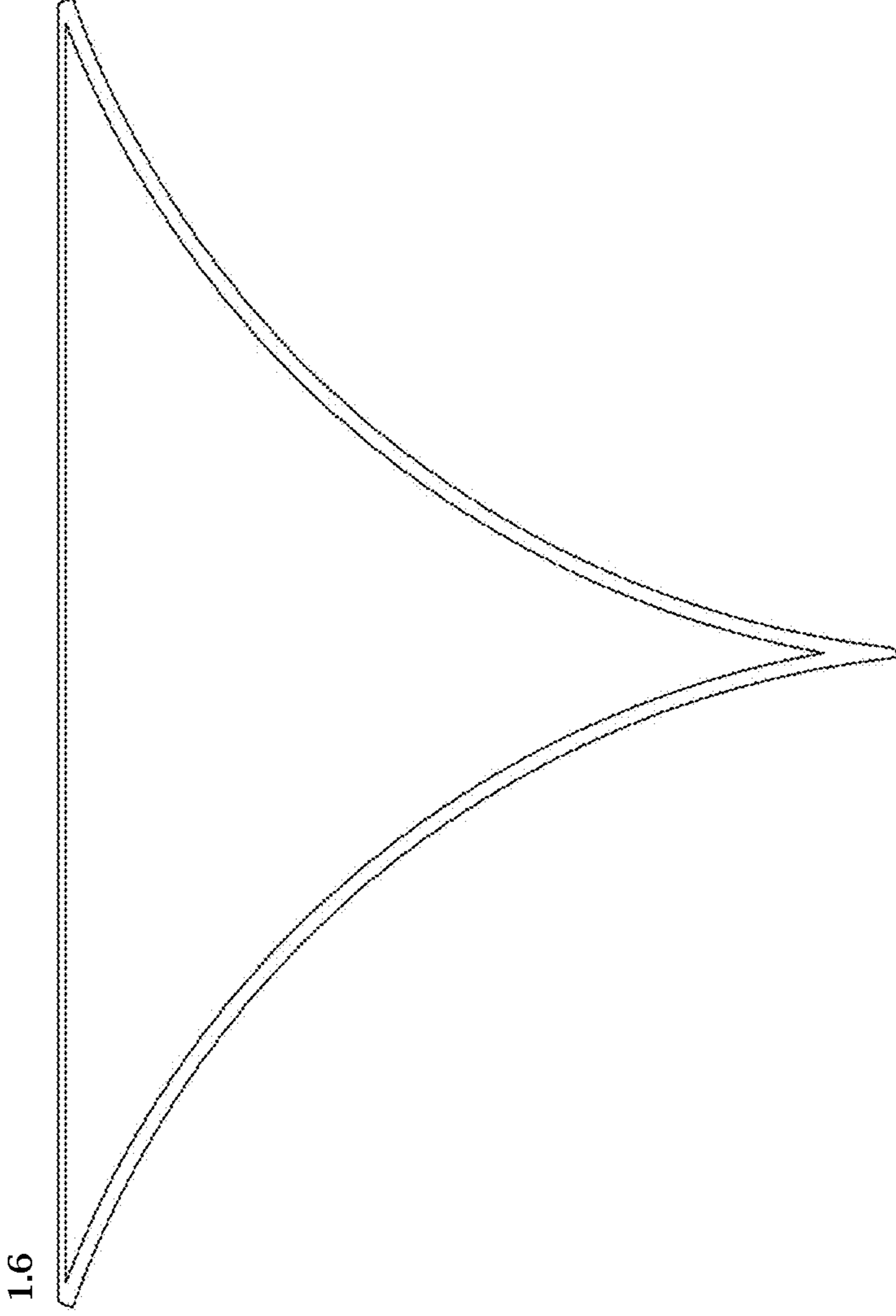




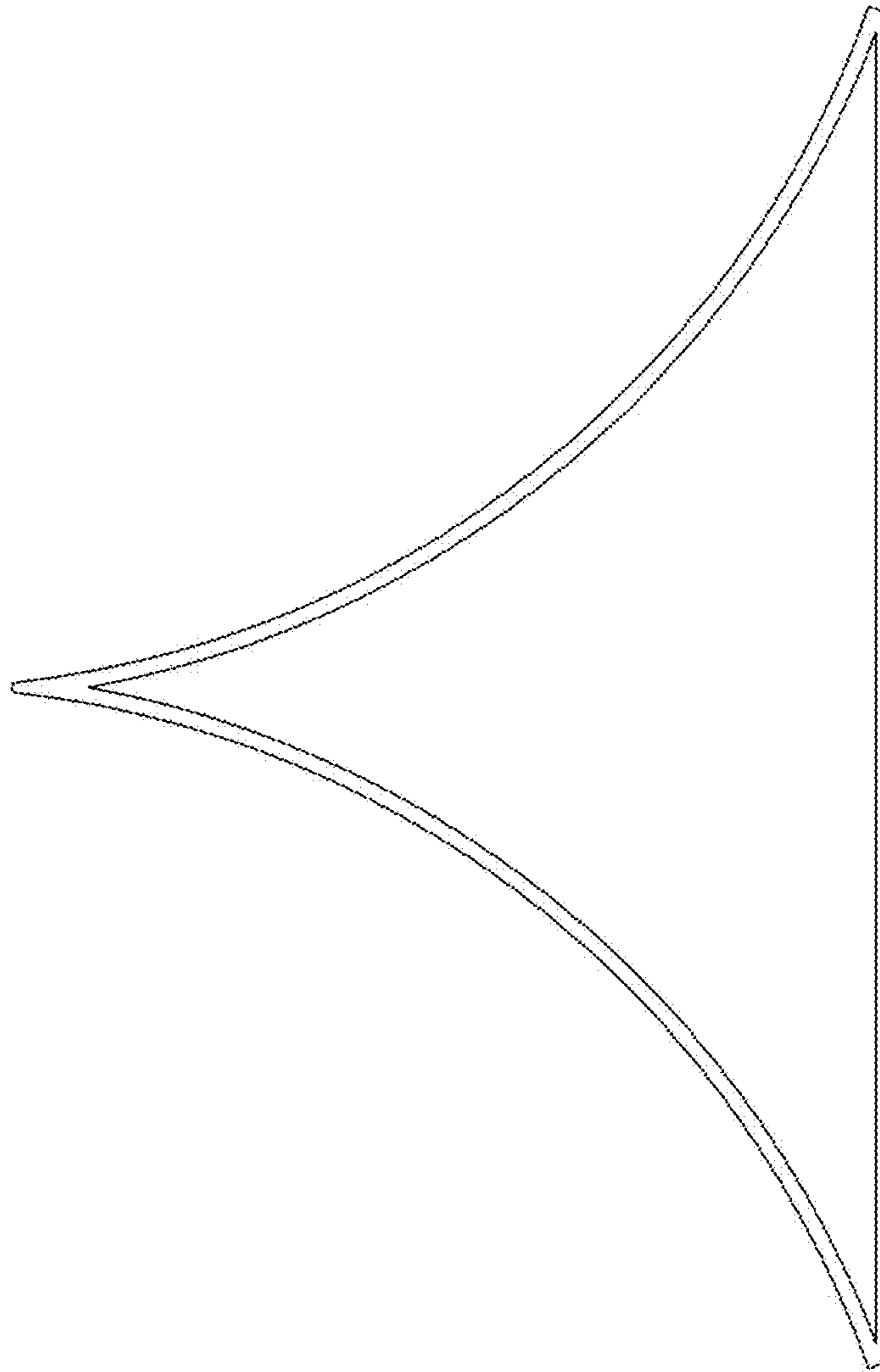












1.7