



US00D876539S

(12) **United States Design Patent**
Orem et al.

(10) **Patent No.:** **US D876,539 S**

(45) **Date of Patent:** **** Feb. 25, 2020**

(54) **CHALK HOLDER SET**

(71) Applicant: **CRAYOLA, LLC**, Easton, PA (US)

(72) Inventors: **Christopher P. Orem**, Easton, PA (US); **John D. McBride, Jr.**, Easton, PA (US)

(73) Assignee: **Crayola LLC**, Easton, PA (US)

(**) Term: **15 Years**

(21) Appl. No.: **29/649,115**

(22) Filed: **May 25, 2018**

(51) **LOC (12) Cl.** **19-06**

(52) **U.S. Cl.**
USPC **D19/85; D19/118**

(58) **Field of Classification Search**
USPC D19/115-204, 81-82; D14/411
CPC . B43K 5/005; B43K 7/12; B43K 8/04; B43K 8/06; B43K 19/00; B43K 19/02; B43K 19/14; B43K 21/006; B43K 21/06; B43K 23/016; B43K 23/06

See application file for complete search history.

(56) **References Cited**

U.S. PATENT DOCUMENTS

1,282,511	A *	10/1918	Williams et al.	B43K 23/001 220/23.83
D60,192	S *	1/1922	Mason, Jr.	D19/185
2,288,878	A *	7/1942	Baer	A44B 6/00 24/11 F
3,442,595	A *	5/1969	Dumas	B43K 27/00 401/35
3,820,695	A *	6/1974	Pecjak	A45C 11/20 224/148.6
D272,793	S *	2/1984	Appel	D7/510
D280,361	S *	9/1985	Appel	D3/271.1
4,573,571	A *	3/1986	Leem	A45C 11/34 206/214
D301,252	S *	5/1989	Ohashi	D19/163

4,878,867	A *	11/1989	Dworman	A45C 1/12 446/8
4,991,299	A *	2/1991	Dietterich	B43L 23/08 30/453
5,002,182	A *	3/1991	McGinnis	A45C 11/34 144/28.1
D332,508	S *	1/1993	Kammerdiener, Jr.	D30/102
D341,387	S *	11/1993	Koneval	401/199
D345,581	S *	3/1994	Popovits	401/88
D348,080	S *	6/1994	Popovits	D19/77
D382,009	S *	8/1997	Miller, Jr.	D10/71
5,813,786	A *	9/1998	Fraenkel	B43K 23/001 24/10 R
D422,748	S *	4/2000	Lang	D19/117

(Continued)

Primary Examiner — Elizabeth A. Albert

(74) *Attorney, Agent, or Firm* — Shook, Hardy & Bacon LLP

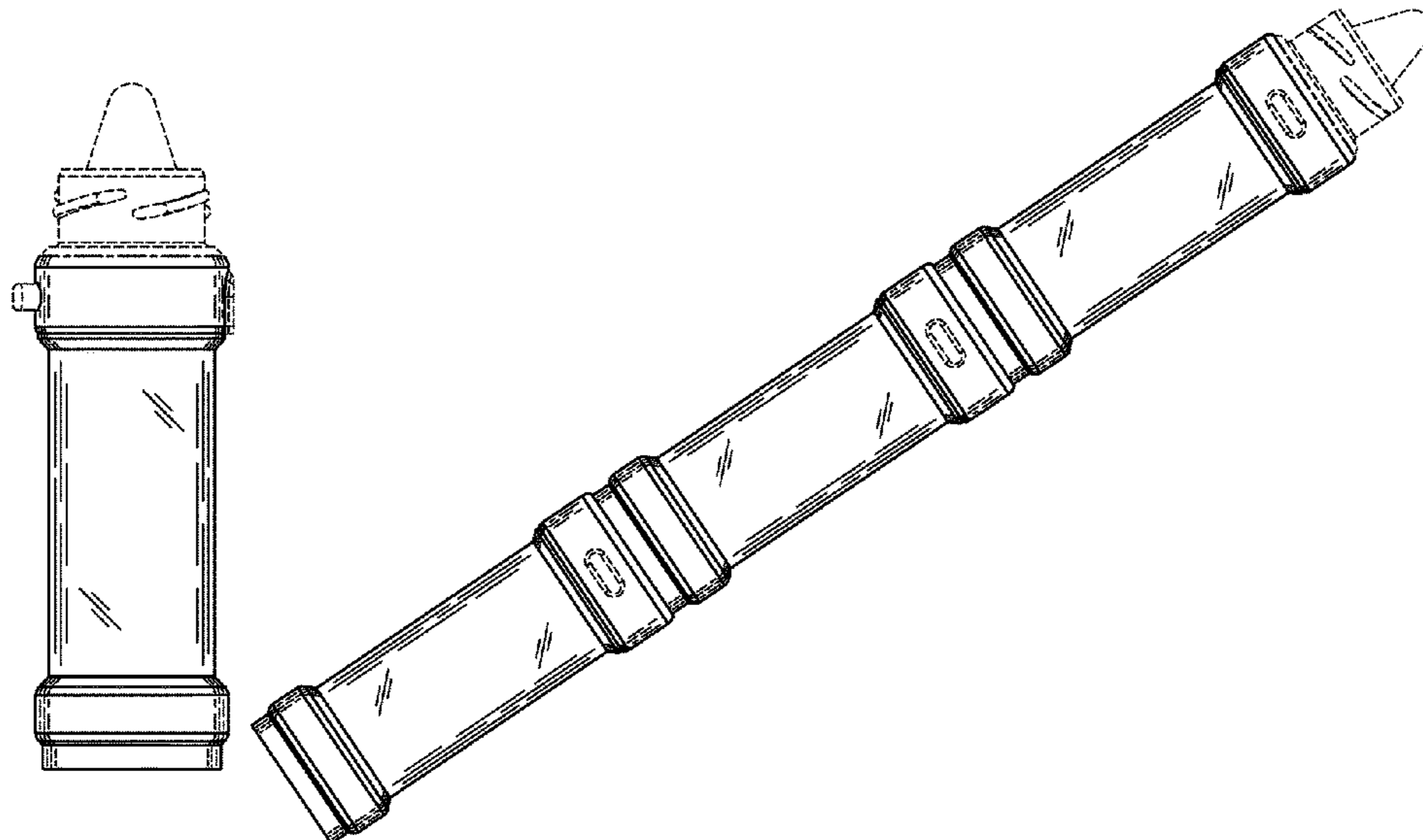
(57) **CLAIM**

The ornamental design for a chalk holder set, as shown and described.

DESCRIPTION

FIG. 1 is a front view of a chalk holder set showing our new design;
 FIG. 2 is a rear view thereof;
 FIG. 3 is a top view thereof;
 FIG. 4 is a top perspective view thereof that is slightly enlarged to show some details;
 FIG. 5 is a bottom view thereof;
 FIG. 6 is a bottom perspective view thereof that is slightly enlarged to show some details;
 FIG. 7 is a side view thereof; and,
 FIG. 8 is an alternative configuration thereof.
 The even length broken lines are included to show portions that form no part of the claimed design. The long and short broken lines define the bounds of the claimed design and form no part thereof.

1 Claim, 8 Drawing Sheets



(56)

References Cited

U.S. PATENT DOCUMENTS

D429,845 S * 8/2000 Lang D24/119
D445,831 S * 7/2001 Lindner D19/162
6,685,373 B1 * 2/2004 Liu B43K 8/003
401/34
6,877,922 B2 * 4/2005 Ahmed B43K 8/003
401/35
6,960,039 B2 * 11/2005 Sieling B43K 8/003
401/29
6,974,026 B2 * 12/2005 Chan A45C 11/34
206/214
D545,895 S * 7/2007 Okutani D19/117
7,237,971 B2 * 7/2007 Osborne B43K 17/005
401/198
D604,767 S * 11/2009 Hung D19/164
D605,693 S * 12/2009 Ng D19/119
D645,506 S * 9/2011 Hung D19/117
D679,325 S * 4/2013 Liang D19/167
D682,937 S * 5/2013 Larson D19/173
D701,902 S * 4/2014 Nichols D19/85
D730,448 S * 5/2015 Rau D19/194
D750,968 S * 3/2016 Marseglia D24/197
D851,703 S * 6/2019 Hung D19/163
2003/0016988 A1 * 1/2003 McDonnell B43K 23/06
401/35
2011/0250004 A1 * 10/2011 Chung B43K 21/16
401/94
2017/0232781 A1 * 8/2017 Nguyen F16B 2/22
24/341
2018/0339542 A1 * 11/2018 Orem B43K 27/00

* cited by examiner

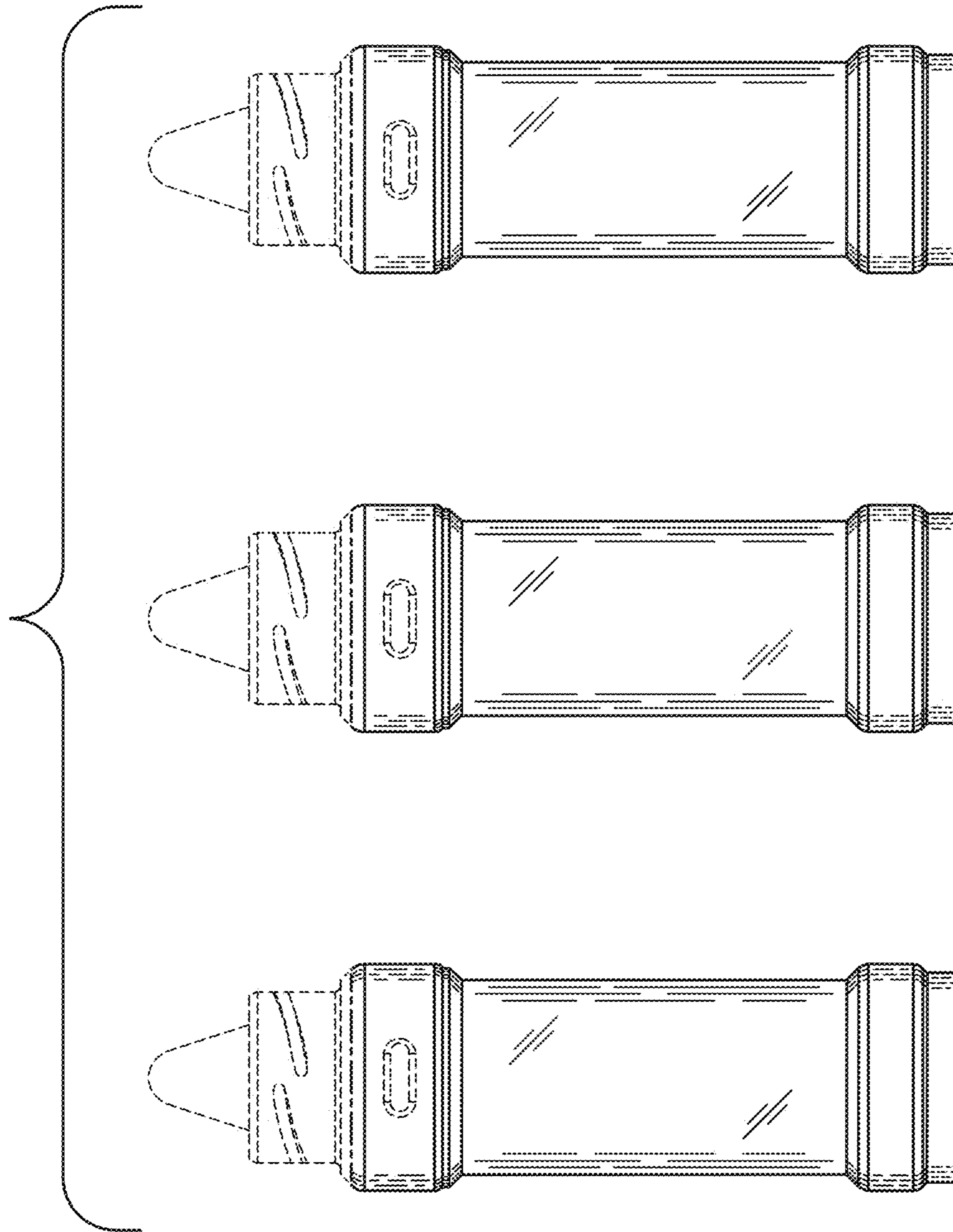


FIG. 1

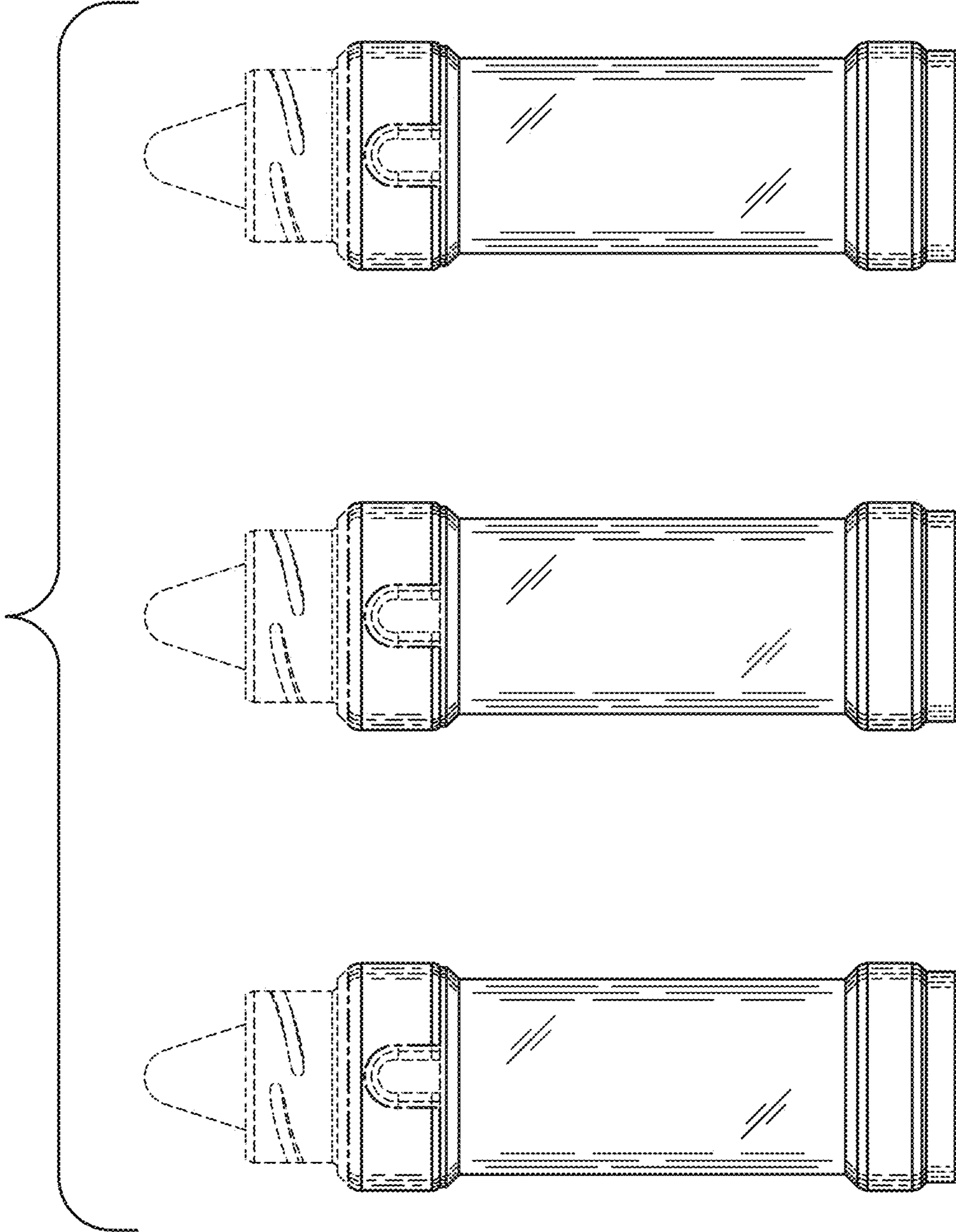


FIG. 2

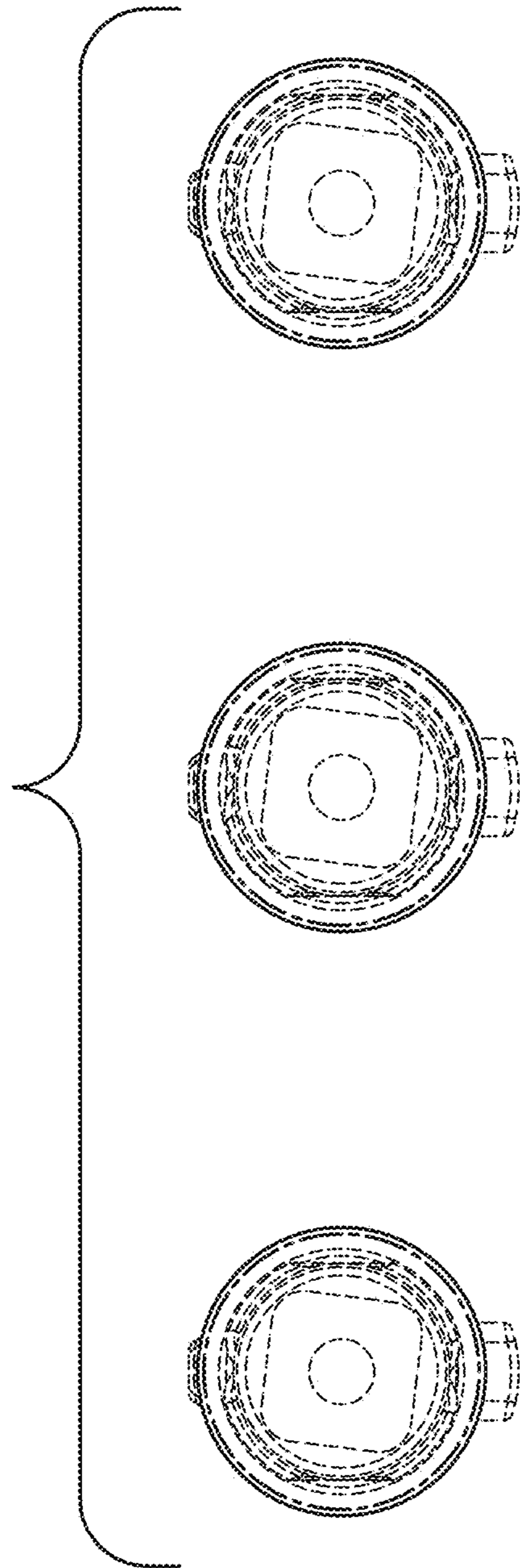


FIG. 3

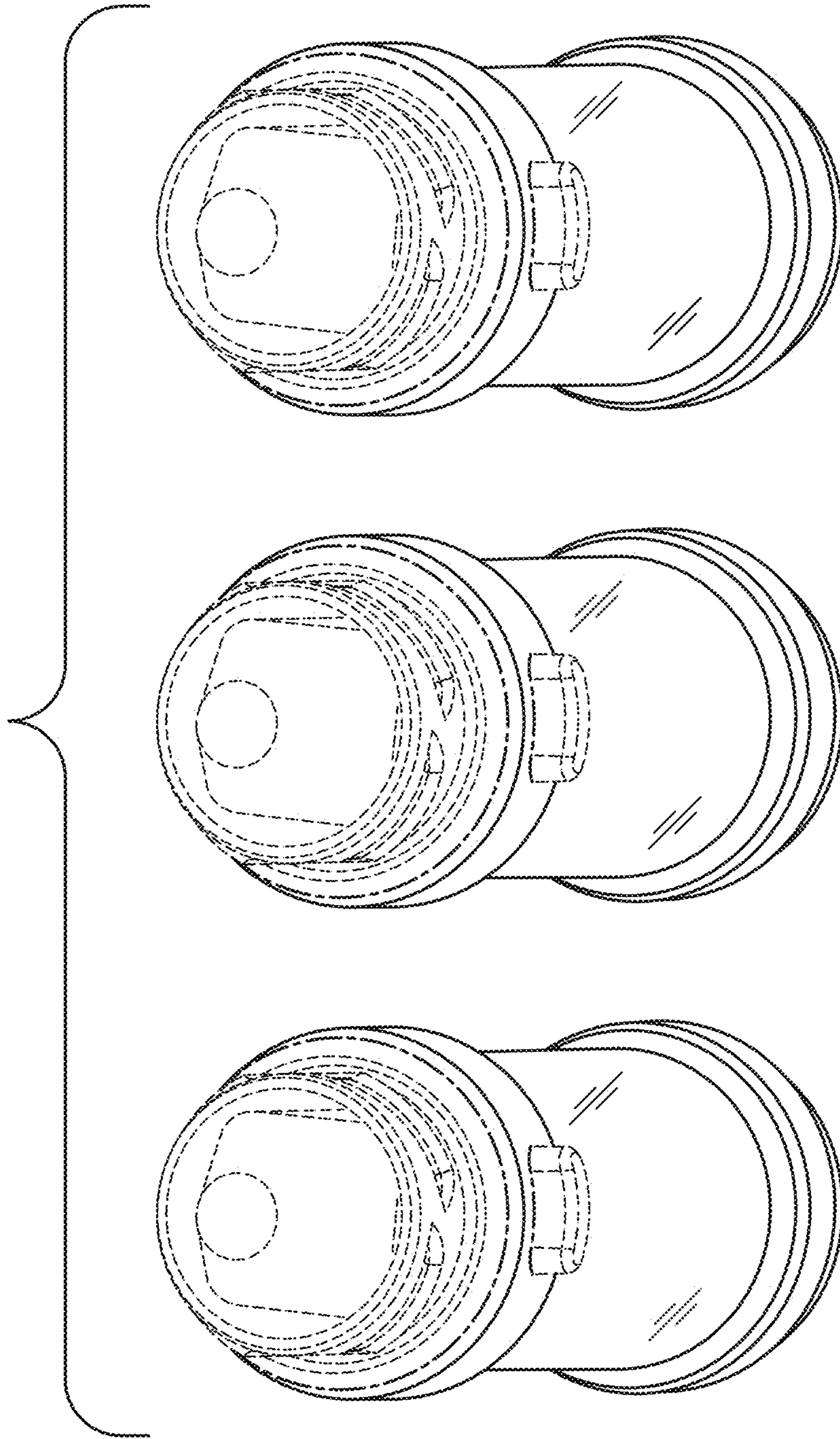


FIG. 4

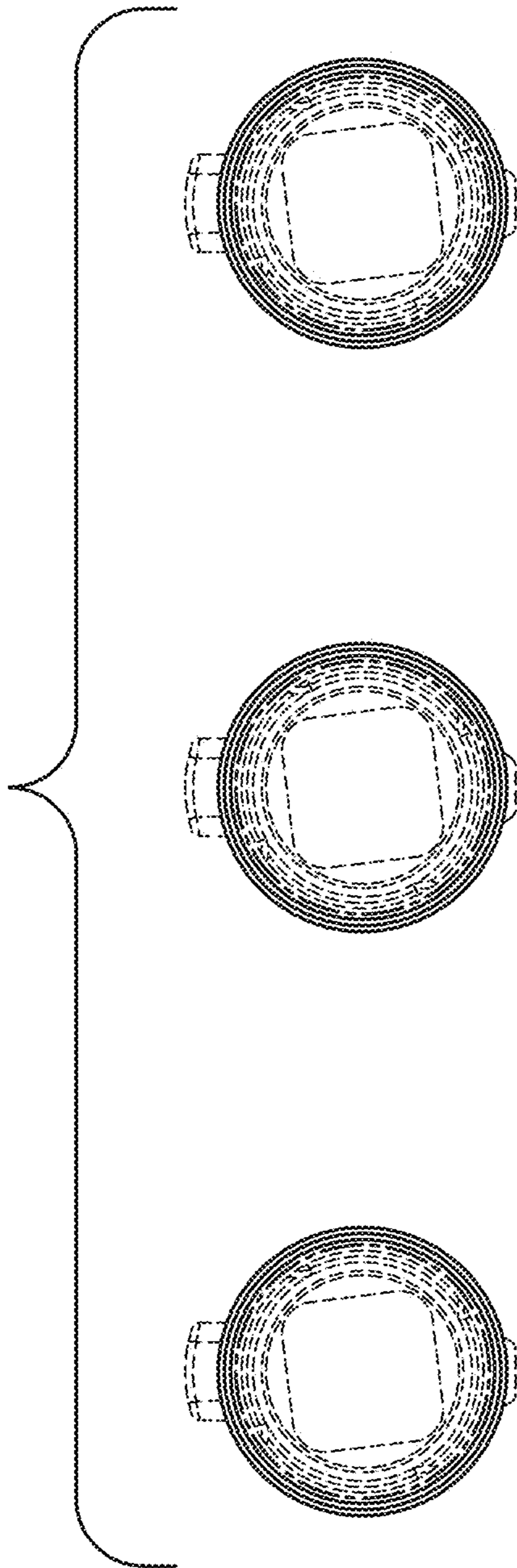


FIG. 5

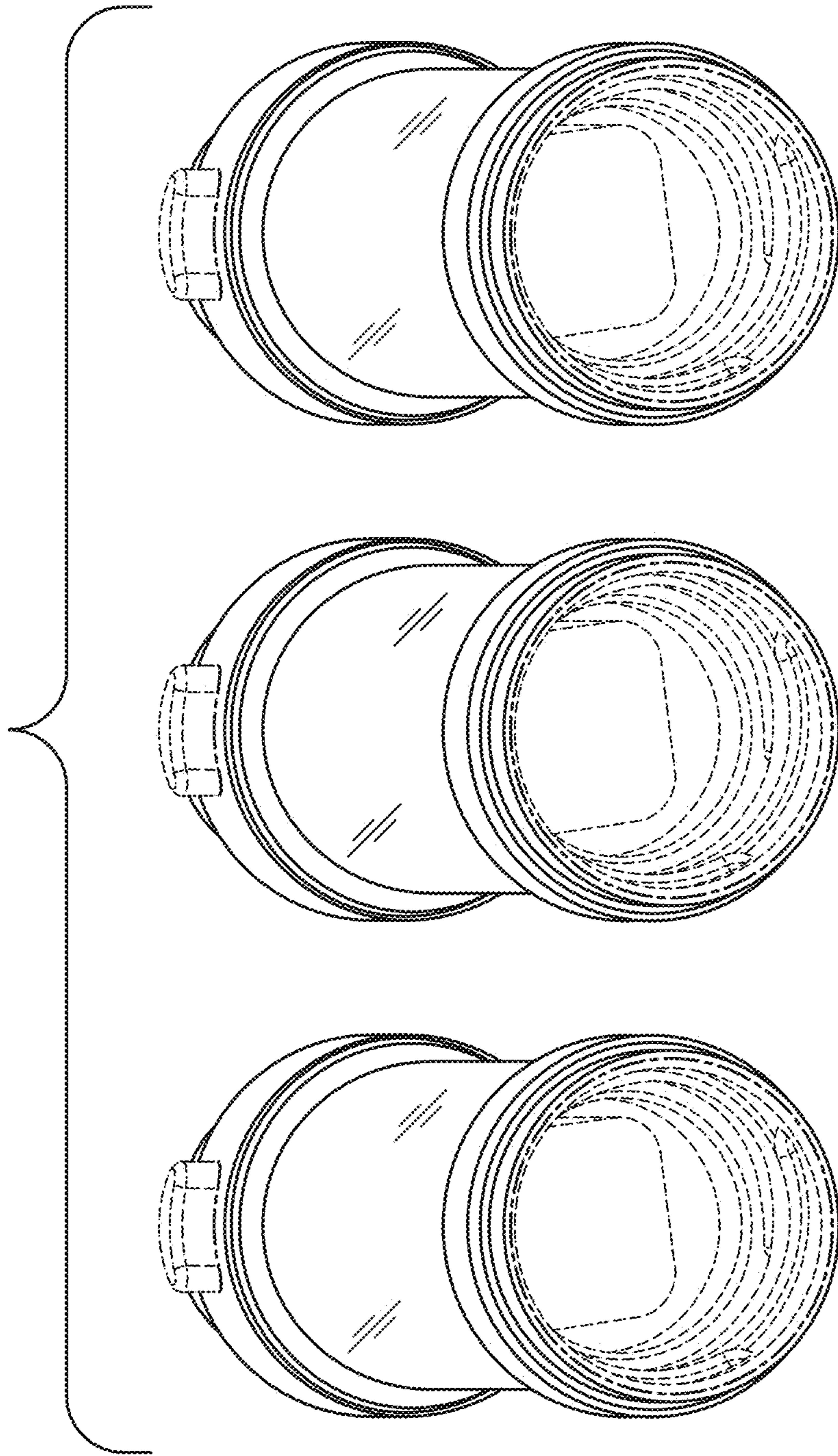


FIG. 6

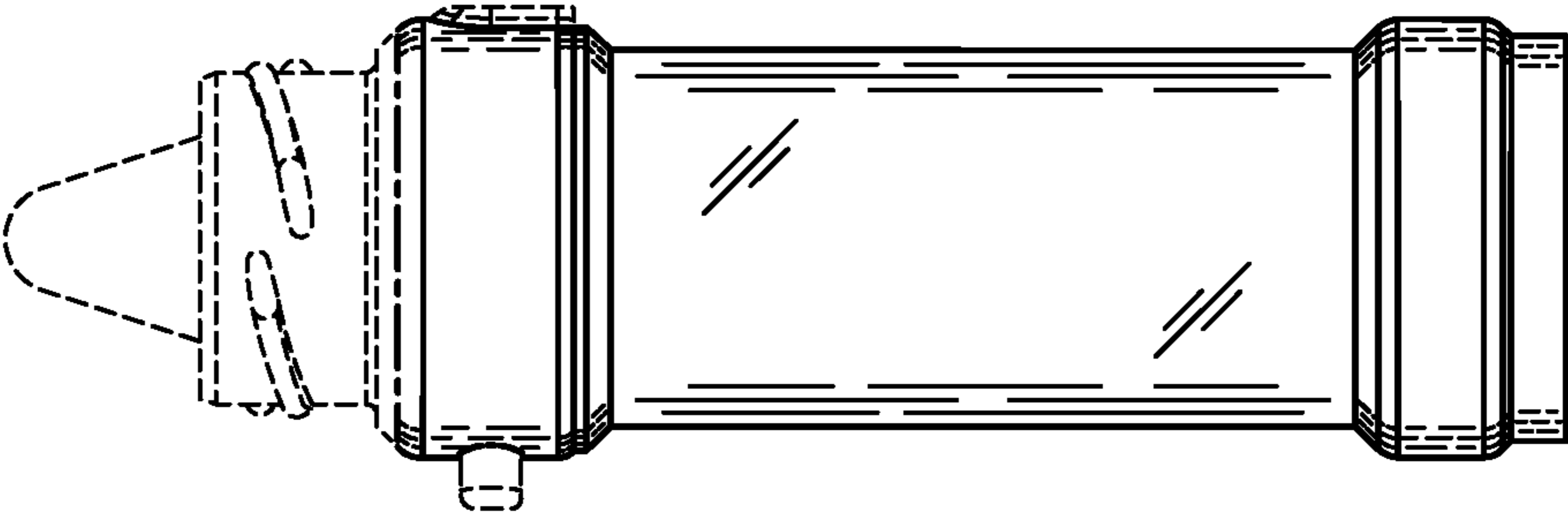


FIG. 7

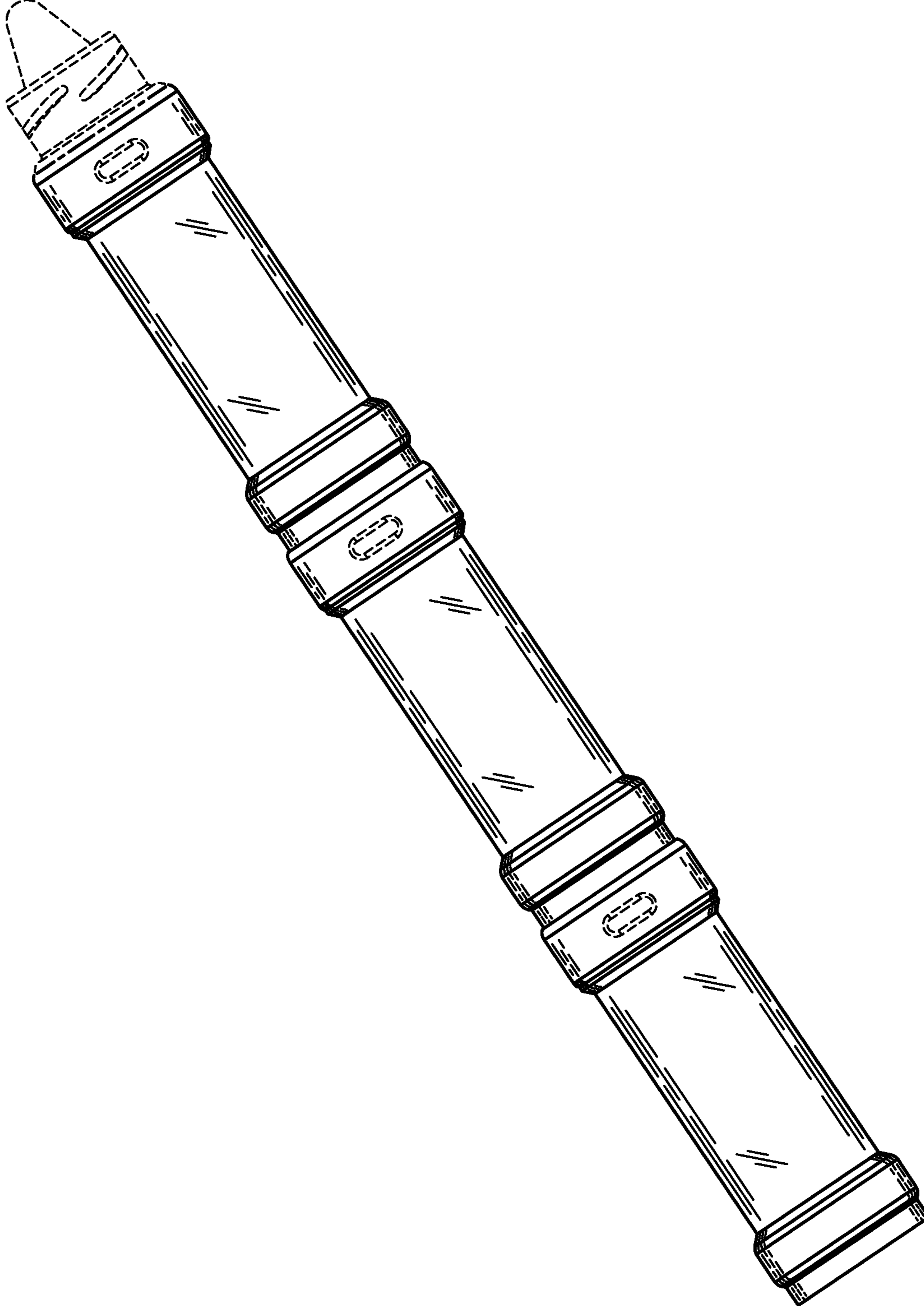


FIG. 8