



US00D876535S

(12) **United States Design Patent** (10) **Patent No.:** **US D876,535 S**
Uesugi et al. (45) **Date of Patent:** **** Feb. 25, 2020**

(54) **FLANGE COUPLING FOR PROCESS CARTRIDGE FOR IMAGE FORMING APPARATUS**

7,729,644 B2 * 6/2010 Thornton G03G 15/087
399/262
7,885,575 B2 * 2/2011 Batori G03G 15/757
399/111
D636,435 S * 4/2011 Naito D18/43
D636,813 S * 4/2011 Kikuchi D18/43
D723,613 S * 3/2015 Shimizu D18/43
D724,657 S * 3/2015 Shimizu D18/43

(71) Applicant: **CANON KABUSHIKI KAISHA,**
Tokyo (JP)

(72) Inventors: **Tetsuo Uesugi,** Tokyo (JP); **Makoto Hayashida,** Tokyo (JP); **Koji Yamaguchi,** Tokyo (JP); **Takashi Yano,** Tokyo (JP)

FOREIGN PATENT DOCUMENTS

JP D1569411 S 2/2017

OTHER PUBLICATIONS

Copending, Unpublished U.S. national stage Design U.S. Appl. No. 35/503,601, filed Feb. 22, 2017, to Tetsuo Uesugi, et al.

(**) Term: **15 Years**

(21) Appl. No.: **35/505,766**

* cited by examiner

(22) Filed: **Mar. 26, 2018**

Primary Examiner — George D. Kirschbaum

(80) **Hague Agreement Data**

Int. Filing Date: **Mar. 26, 2018**

Int. Reg. No.: **DM/101493**

Int. Reg. Date: **Mar. 26, 2018**

Int. Reg. Pub. Date: **Sep. 28, 2018**

(57) **CLAIM**

The ornamental design for a flange coupling for process cartridge for image forming apparatus, as shown and described.

(30) **Foreign Application Priority Data**

Sep. 28, 2017 (JP) 2017-021220

Sep. 28, 2017 (JP) 2017-021221

DESCRIPTION

(51) **LOC (12) Cl.** **16-03**

(52) **U.S. Cl.**
USPC **D18/43**

(58) **Field of Classification Search**
USPC D18/43
CPC . G03G 15/757; G03G 21/0005; G03G 15/087
See application file for complete search history.

1. Flange coupling for process cartridge for image forming apparatus
1.1 : Perspective
1.2 : Front
1.3 : Back
1.4 : Left
1.5 : Right
1.6 : Top
1.7 : Bottom
1.8 : Perspective
1.9 : Cross-sectional
Reproduction **1.9** is a sectional view cut horizontally along the center of reproduction **1.5**.

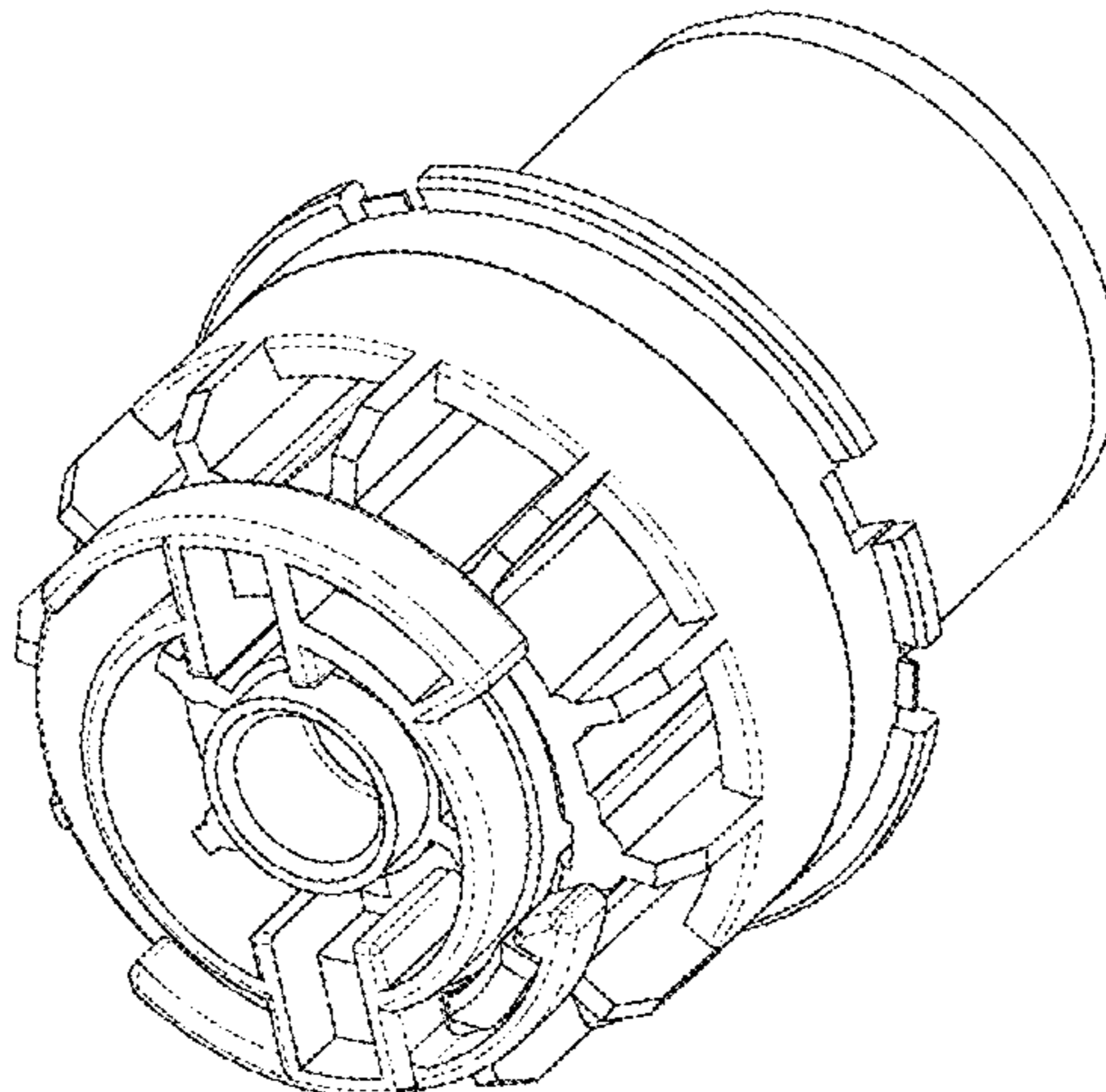
(56) **References Cited**

U.S. PATENT DOCUMENTS

4,984,028 A * 1/1991 Tonomoto G03G 21/0005
399/349

D606,583 S * 12/2009 Kurenuma D18/43

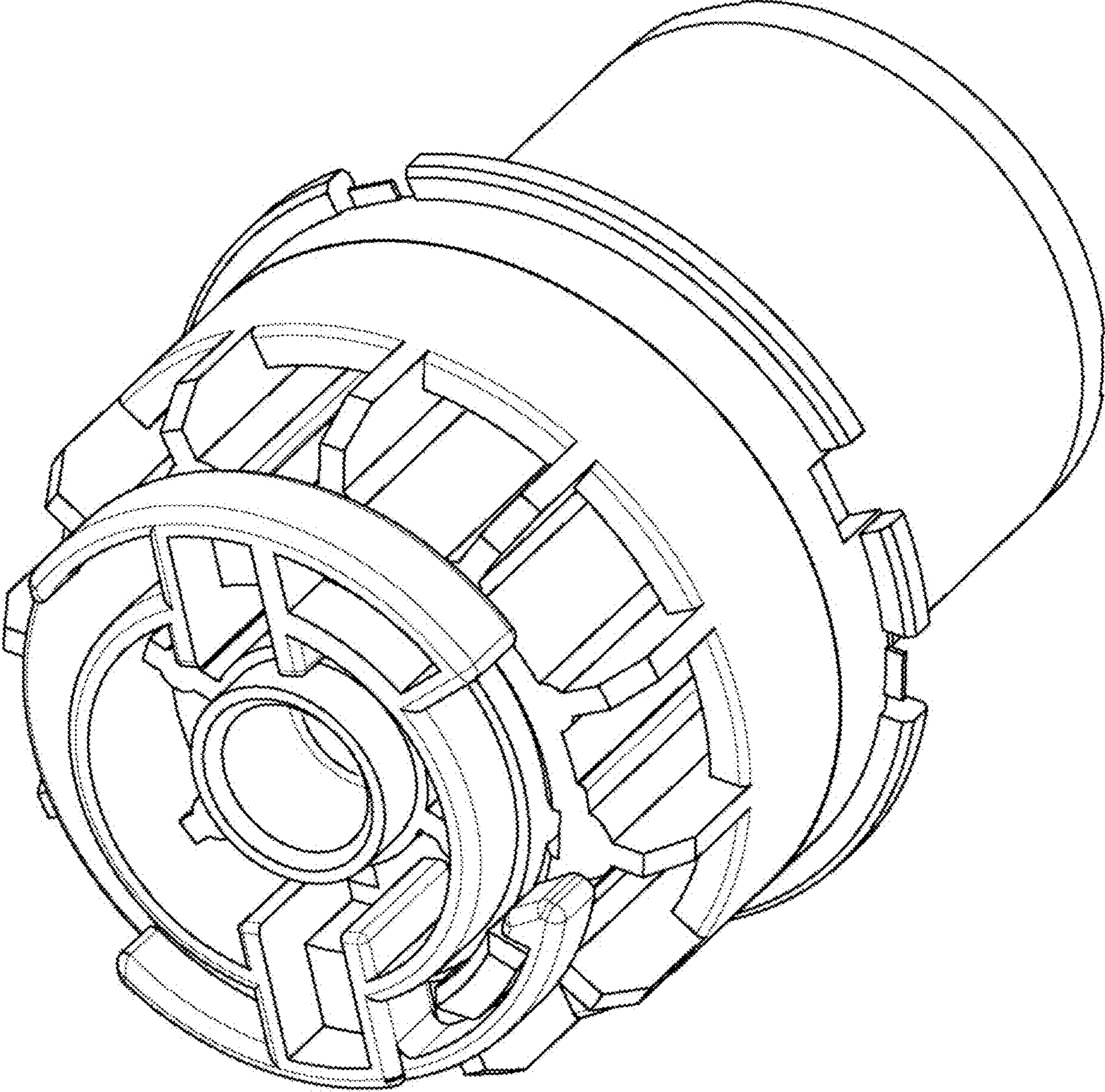
(Continued)



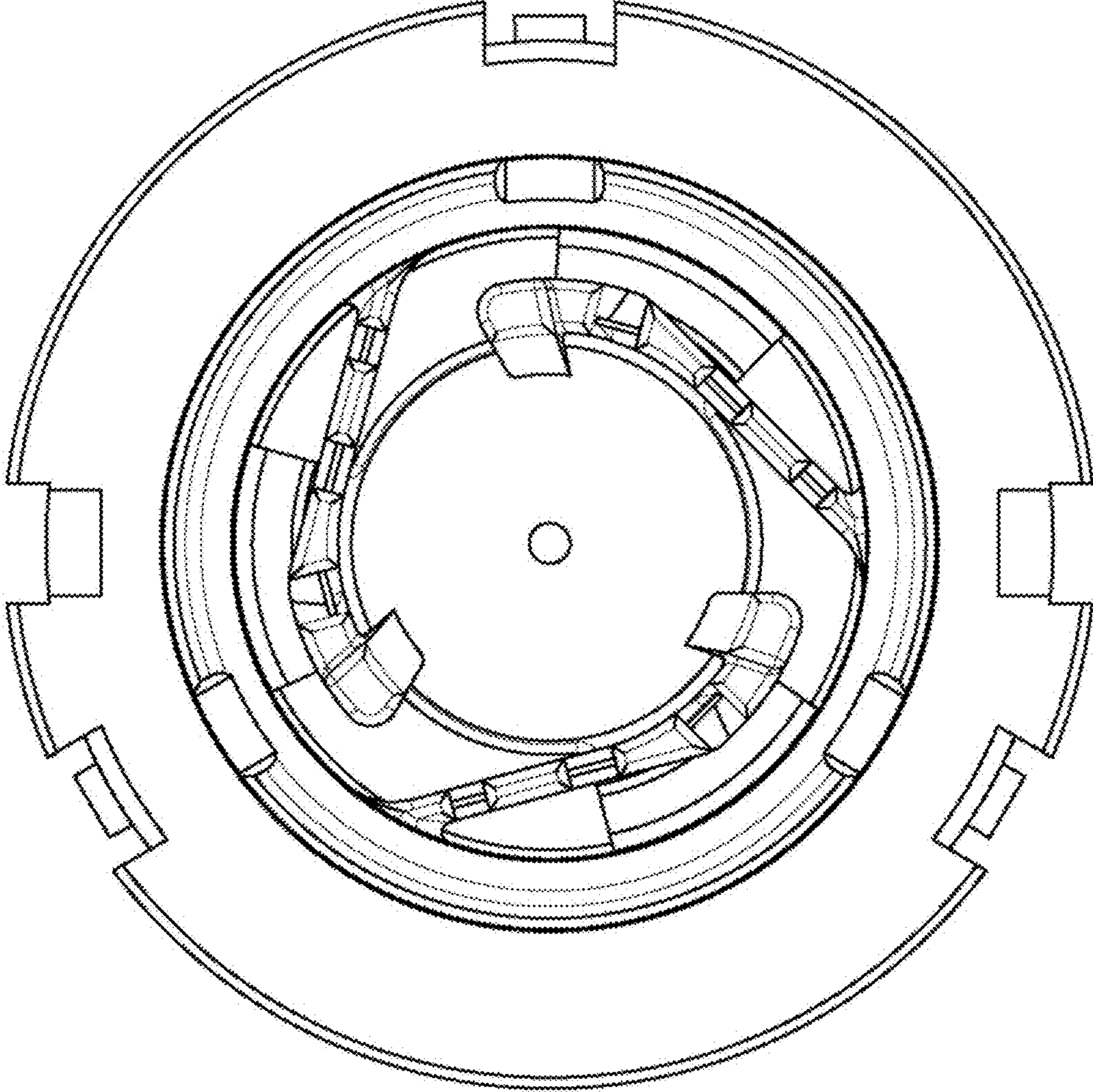
The design is a coupling member shown at the right side of a photosensitive drum and is used for fixing it to a process cartridge.

1 Claim, 9 Drawing Sheets

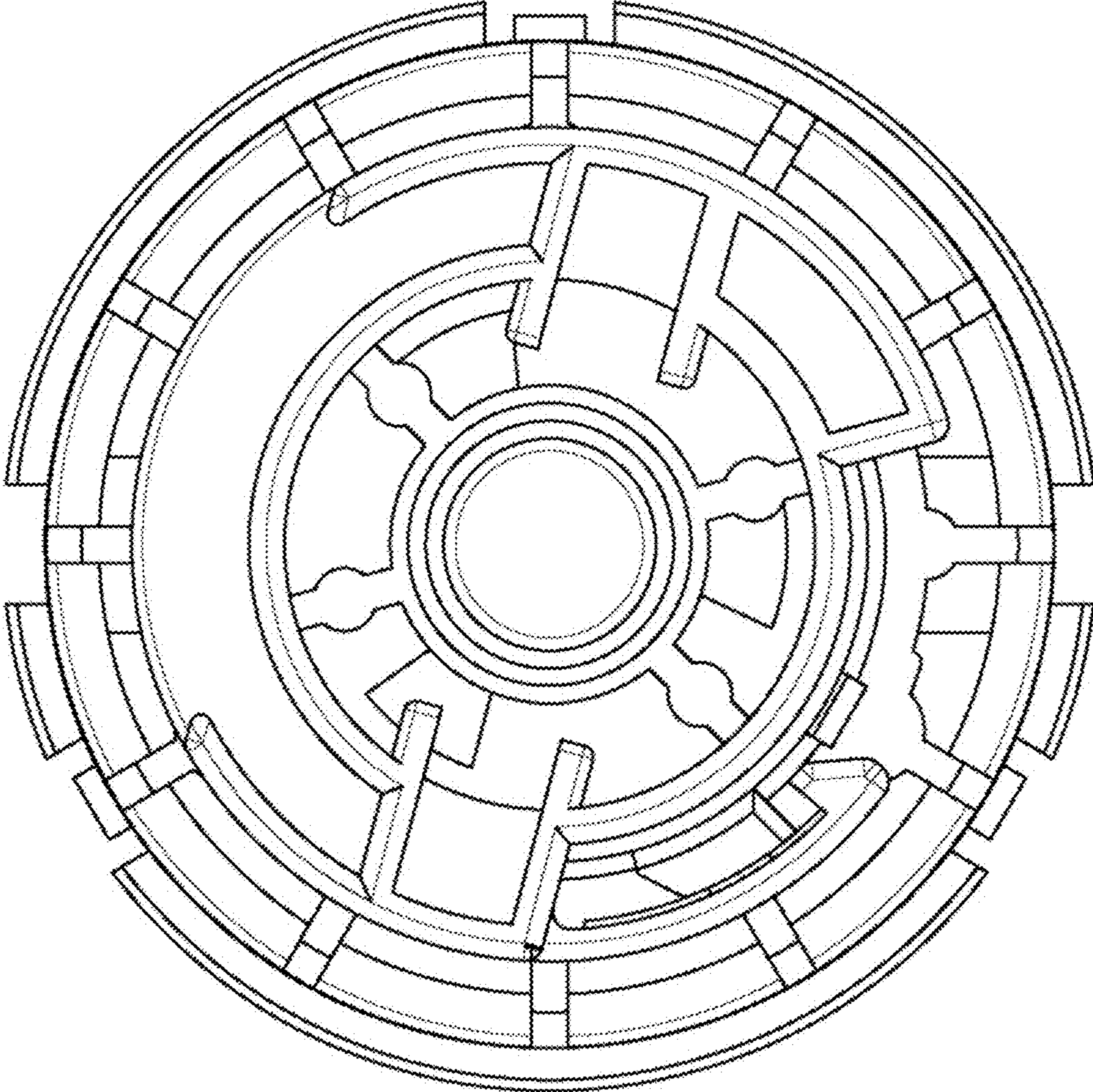
1.1



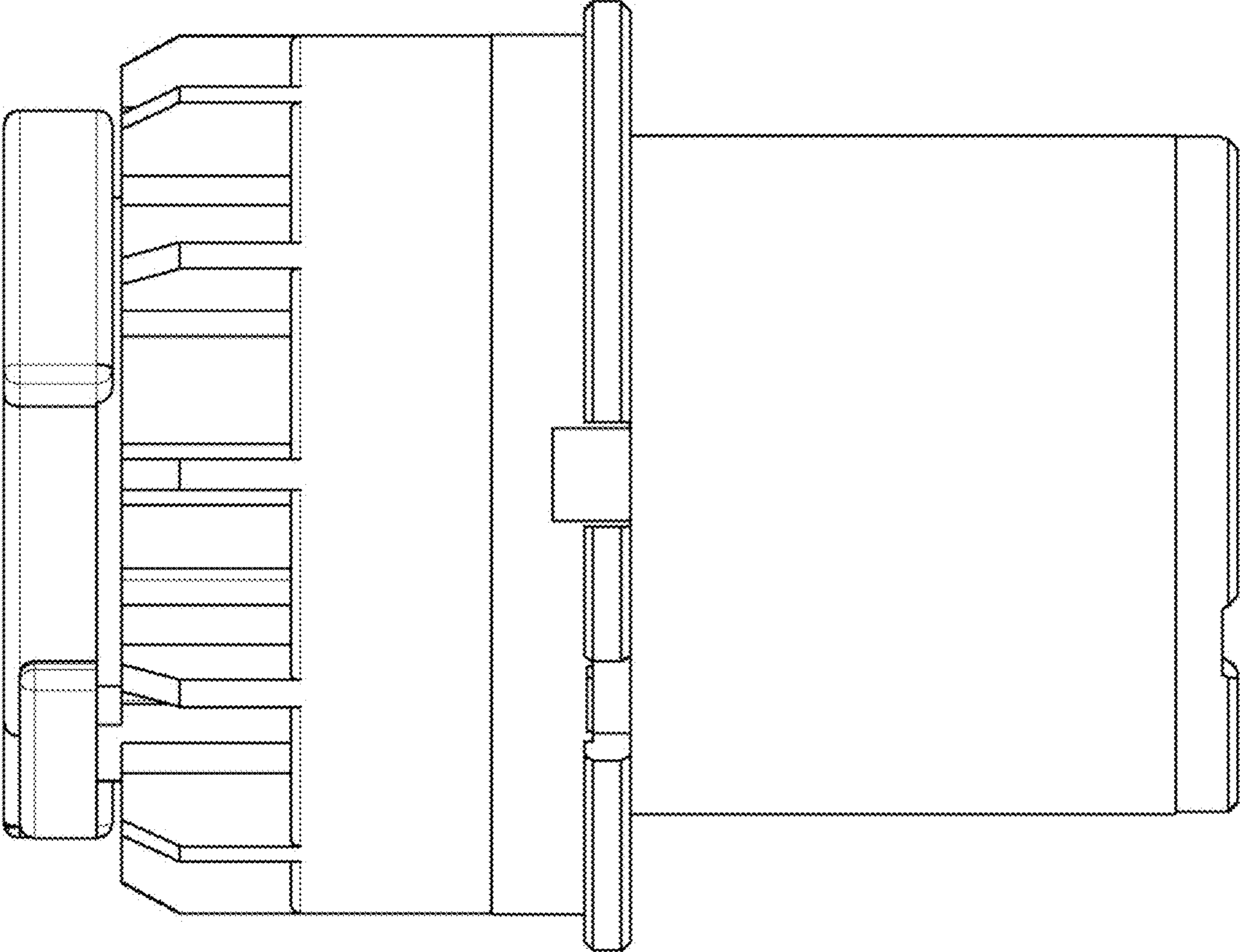
1.2



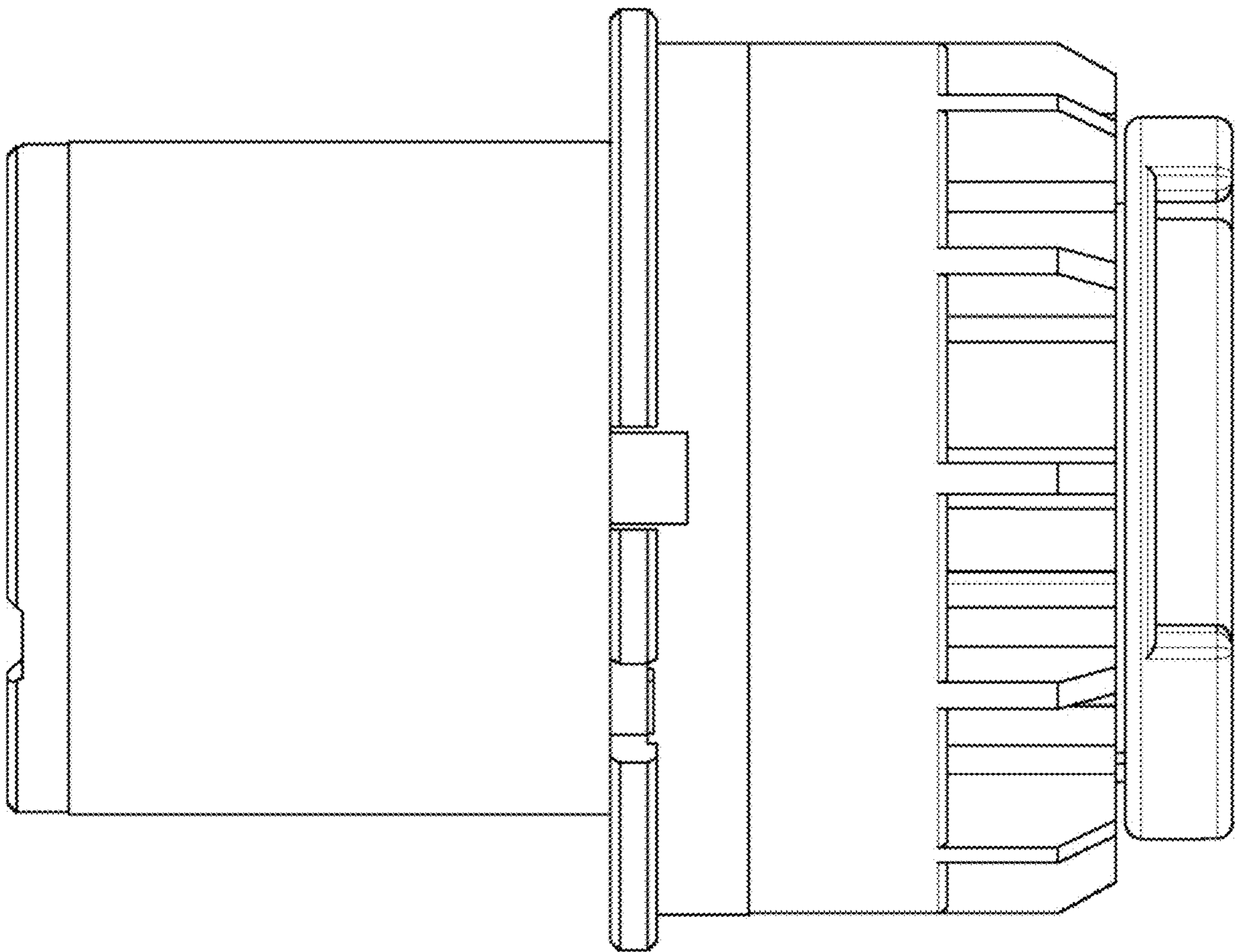
1.3



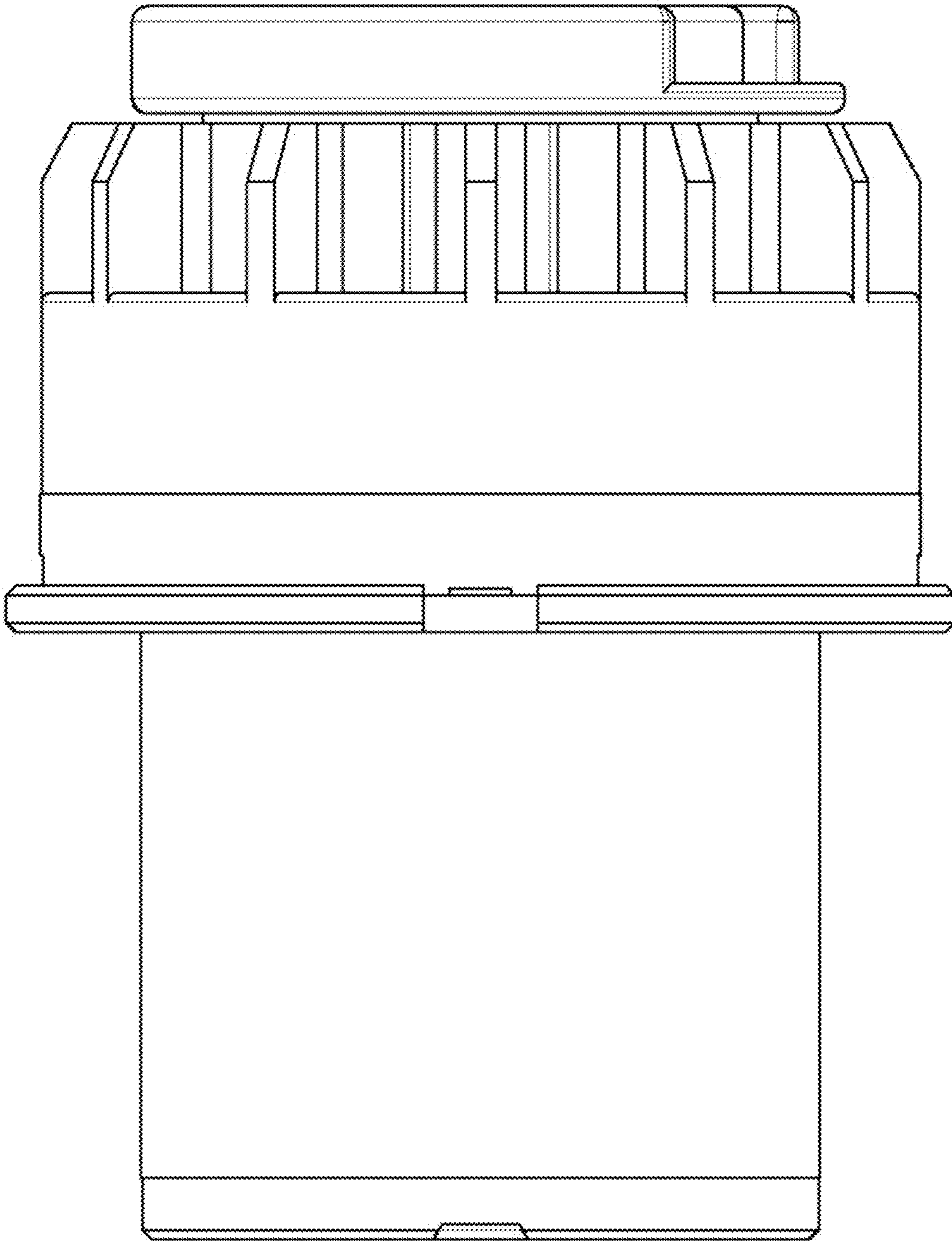
1.4



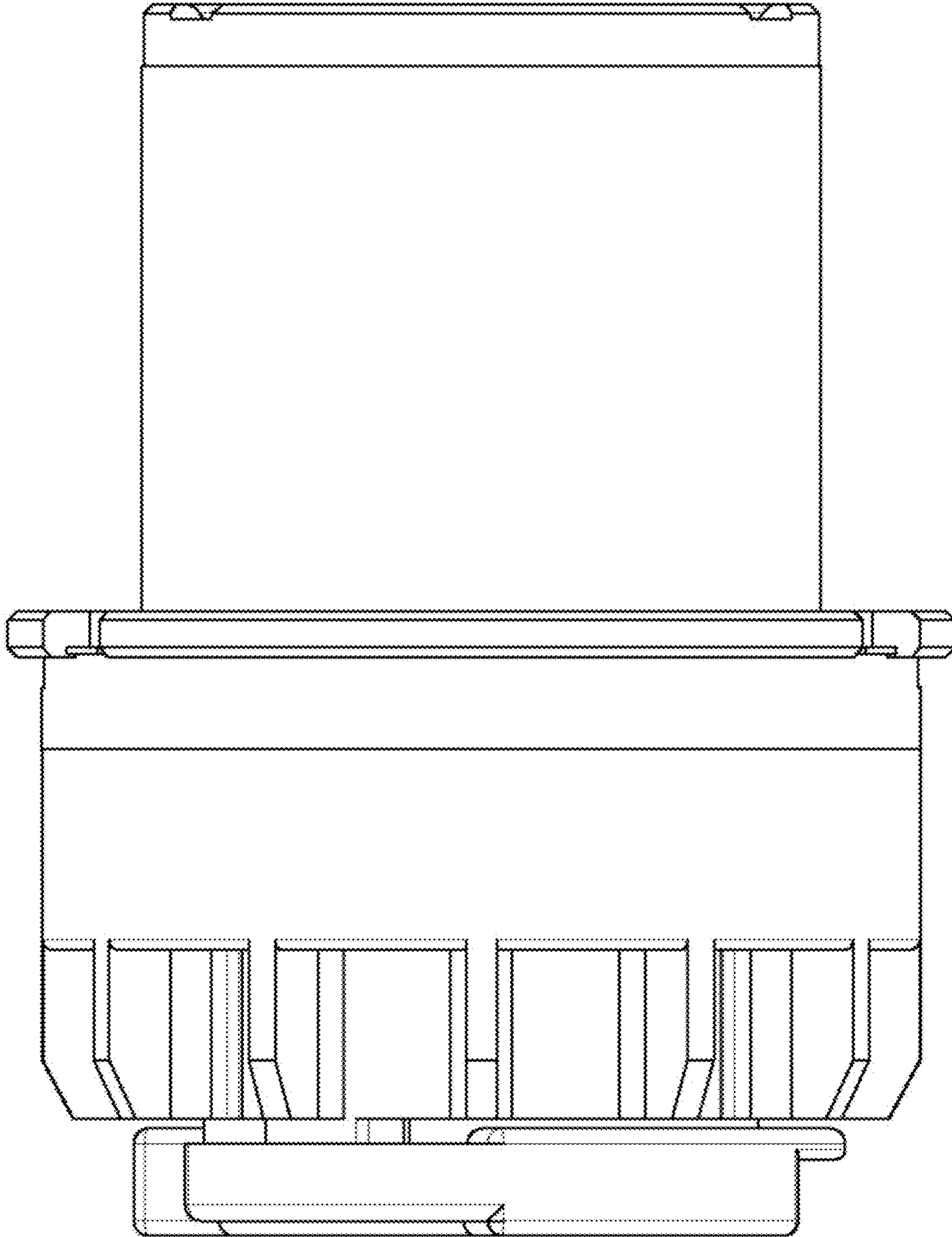
1.5



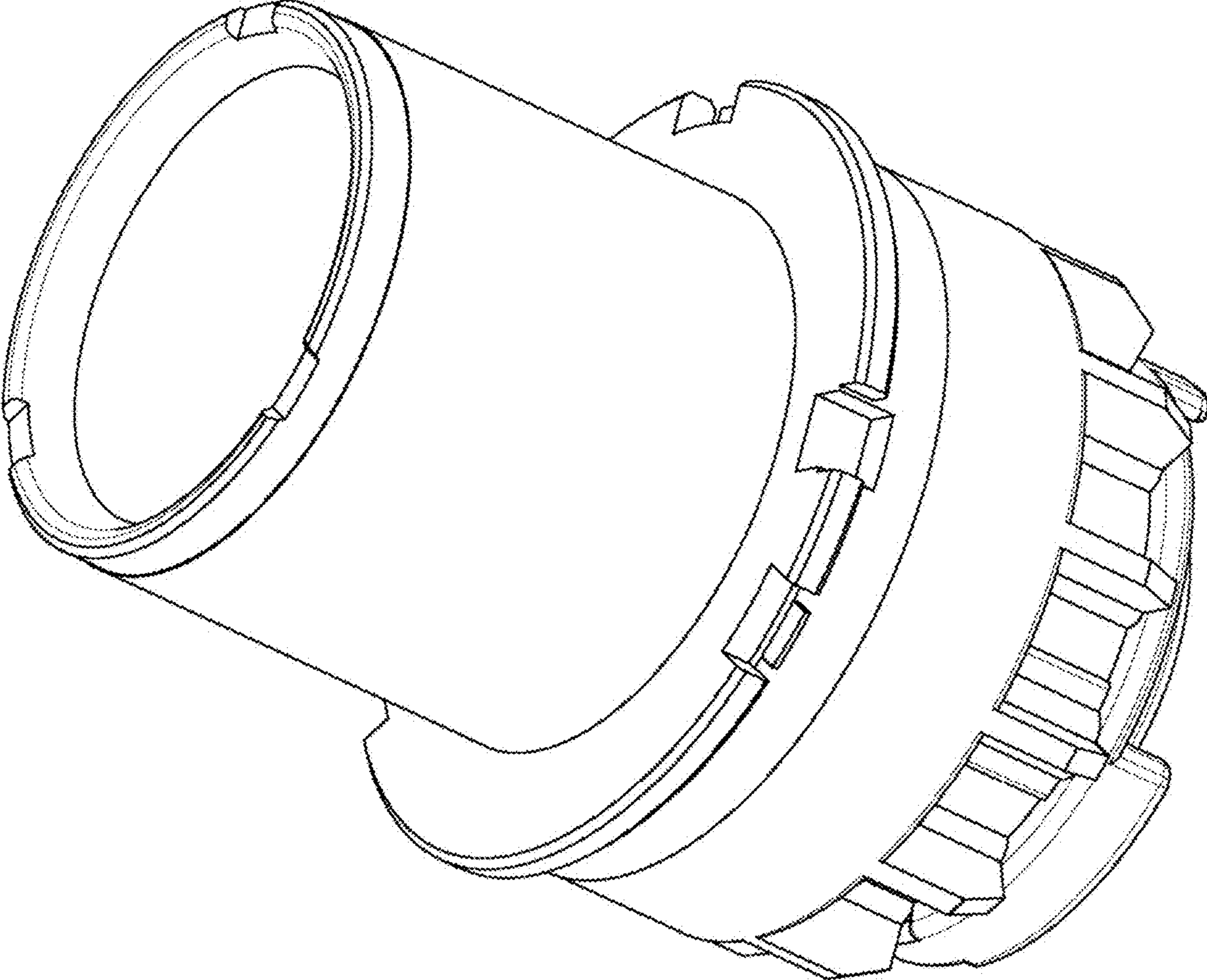
1.6



1.7



1.8



1.9

