



US00D876533S

(12) **United States Design Patent** (10) **Patent No.:** **US D876,533 S**
Nanno et al. (45) **Date of Patent:** **** Feb. 25, 2020**

(54) **PRINTER**

(71) Applicant: **BROTHER INDUSTRIES, LTD.**,
Nagoya-shi, Aichi-ken (JP)

(72) Inventors: **Tomoyuki Nanno**, Nakano-ku (JP);
Takaaki Oguchi, Kasugai (JP)

(73) Assignee: **BROTHER INDUSTRIES, LTD.**,
Nagoya (JP)

(**) Term: **15 Years**

(21) Appl. No.: **29/653,692**

(22) Filed: **Jun. 18, 2018**

(30) **Foreign Application Priority Data**

Dec. 21, 2017 (JP) 2017-028499

(51) **LOC (12) Cl.** **18-99**

(52) **U.S. Cl.**
USPC **D18/19**

(58) **Field of Classification Search**
USPC D18/14, 19, 50, 53, 54, 55, 56, 59, 36,
D18/37, 38, 39, 40, 41, 45; D14/301,
D14/307, 121; D19/65, 66, 67, 68, 69,
D19/70, 71
CPC H04N 1/00204; H04N 1/00249; H04N
1/00278; G06K 15/12; G06K 15/14; B41J
3/00; B41J 3/28; B41J 3/445; B41J 3/46;
B41J 3/36; B41J 3/382
See application file for complete search history.

(56) **References Cited**

U.S. PATENT DOCUMENTS

D333,316 S * 2/1993 Ishizawa D18/55
D526,349 S * 8/2006 Granaas D18/54
D536,370 S * 2/2007 Smolenski D18/50
D542,337 S * 5/2007 Nakata D18/19
D663,767 S * 7/2012 Inada D18/19
D765,166 S * 8/2016 Takahashi D18/50

D800,830 S * 10/2017 Maeda D18/19
D813,297 S * 3/2018 Nishikawa D18/50
D822,758 S * 7/2018 Maeda D18/19
D838,311 S * 1/2019 Maeda D18/19
2018/0141356 A1 * 5/2018 Nakagawa B41J 2/355
(Continued)

FOREIGN PATENT DOCUMENTS

CN 304737830 * 7/2018
CN 304849121 * 10/2018
(Continued)

OTHER PUBLICATIONS

Amazon. Link: https://www.amazon.com/dp/B076H8WJS3/ref=cm_sw_em_r_mt_dp_U_JZYMDb67DFK6E. Dec. 27, 2016. Magicard Pronto ID Card Printer & Complete Supplies Package with Bodno ID Software. (Year: 2016).*

Primary Examiner — Susan Bennett Hattan
Assistant Examiner — Lauren D McVey
(74) *Attorney, Agent, or Firm* — Oliff PLC

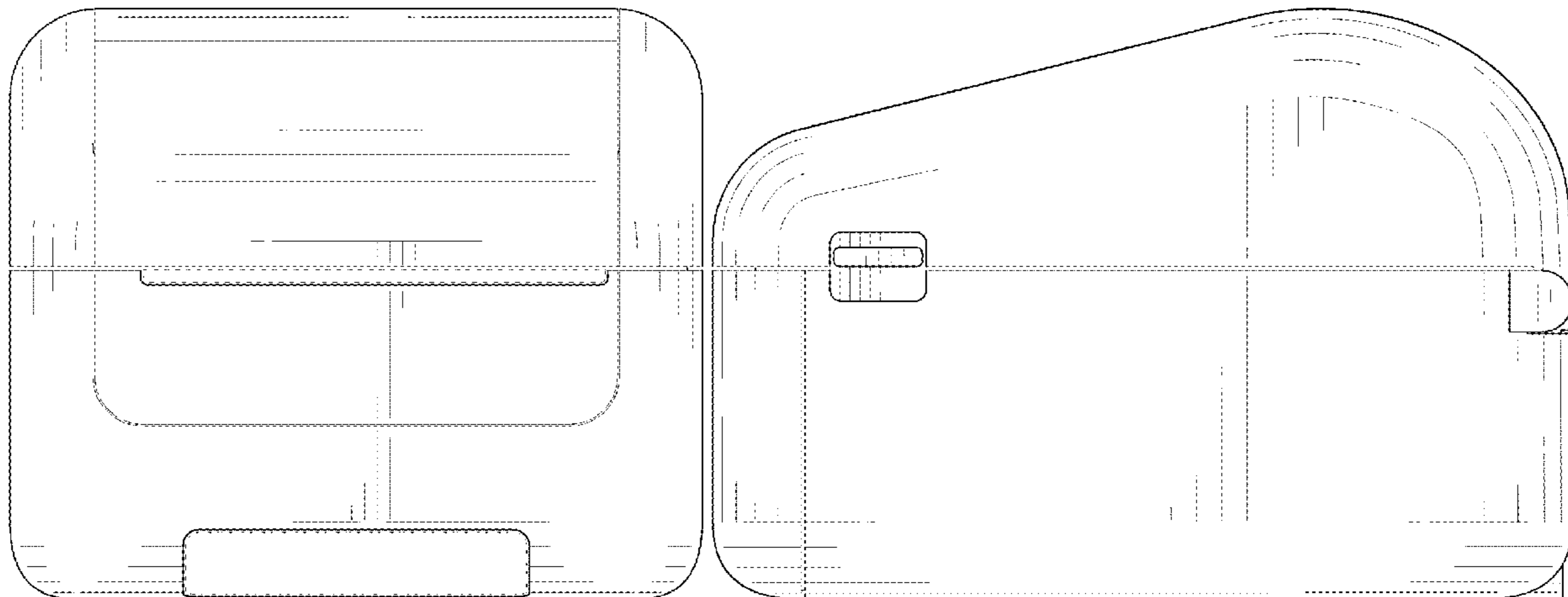
(57) **CLAIM**

The ornamental design for a printer, as shown and described.

DESCRIPTION

FIG. 1 is a perspective view of a printer;
FIG. 2 is a front elevation view thereof;
FIG. 3 is a top plan view thereof;
FIG. 4 is a right-side elevation view thereof, the left-side elevation view being a mirror image thereof;
FIG. 5 is a rear elevation view thereof; and,
FIG. 6 is a bottom plan view thereof.
The broken lines immediately adjacent the claim and that border unshaded regions depict the bounds of the claim and are not included in the claim. All other broken lines are directed to environment. The broken lines form no part of the claimed design.

1 Claim, 6 Drawing Sheets



(56)

References Cited

U.S. PATENT DOCUMENTS

2019/0022884 A1* 1/2019 Takahashi B41J 11/706
2019/0023032 A1* 1/2019 Osuka B41J 11/703

FOREIGN PATENT DOCUMENTS

CN 305093298 * 4/2019
EP 1577220 A2 * 9/2005 B41J 3/4075

* cited by examiner

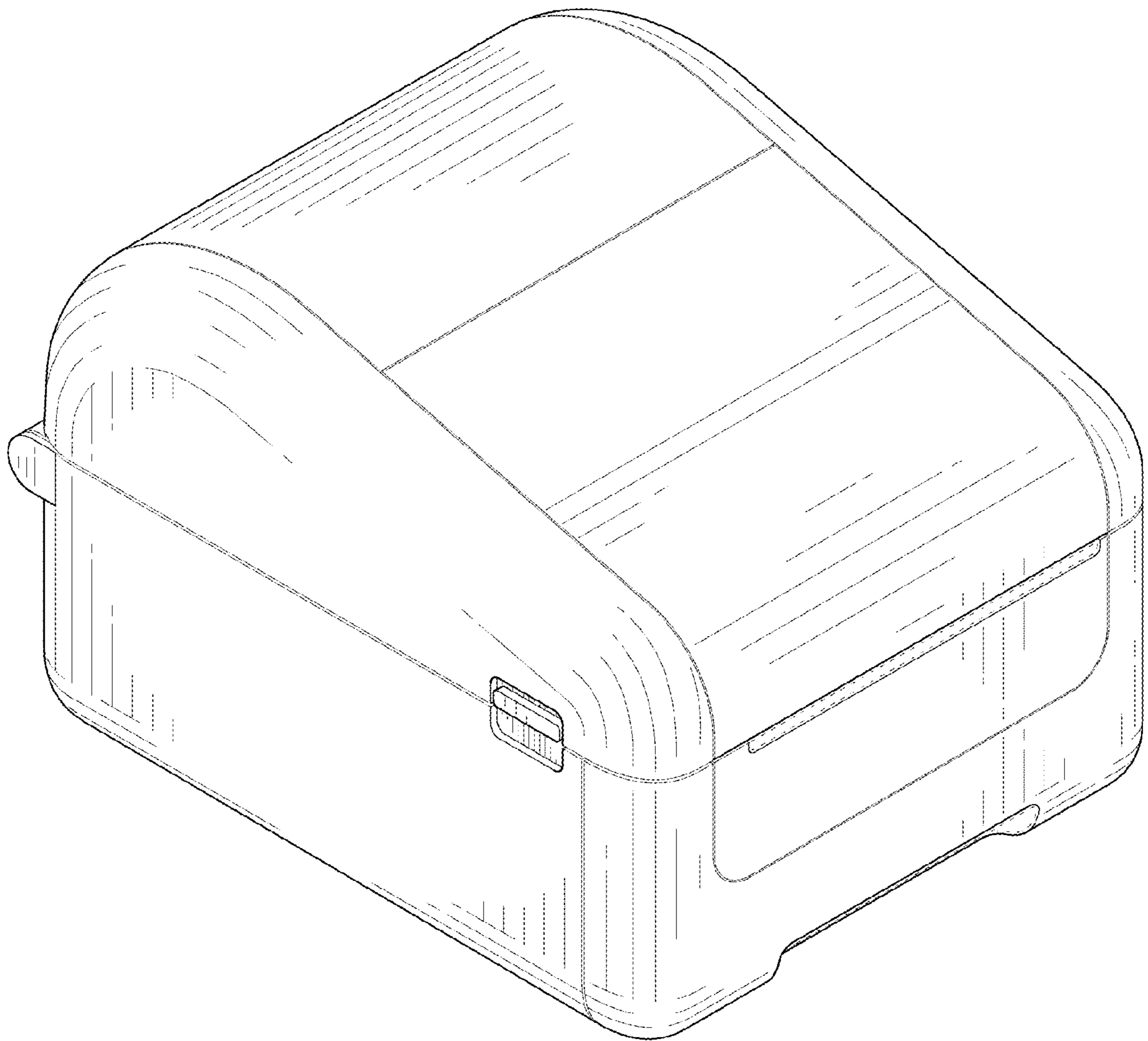


FIG. 1

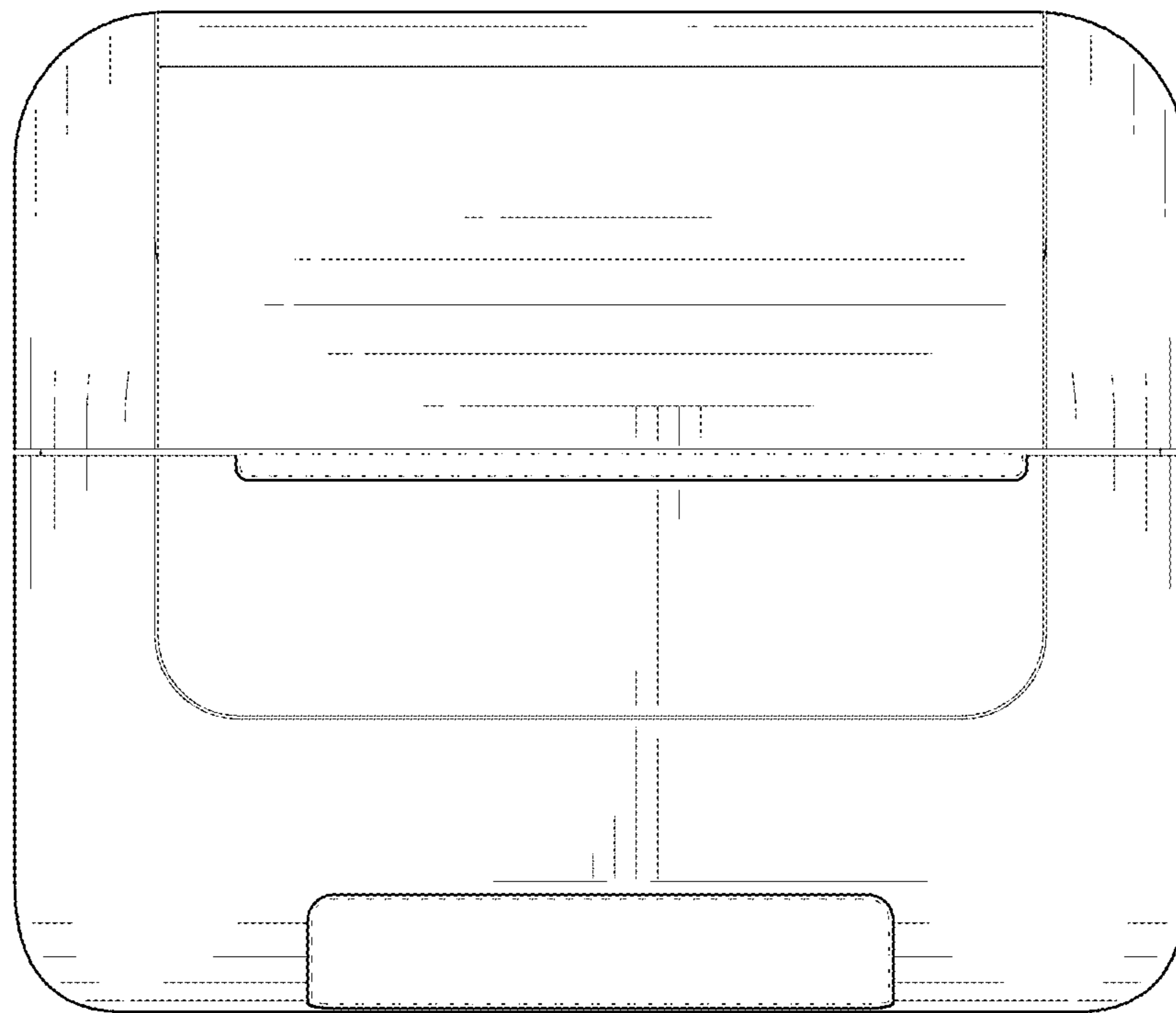


FIG. 2

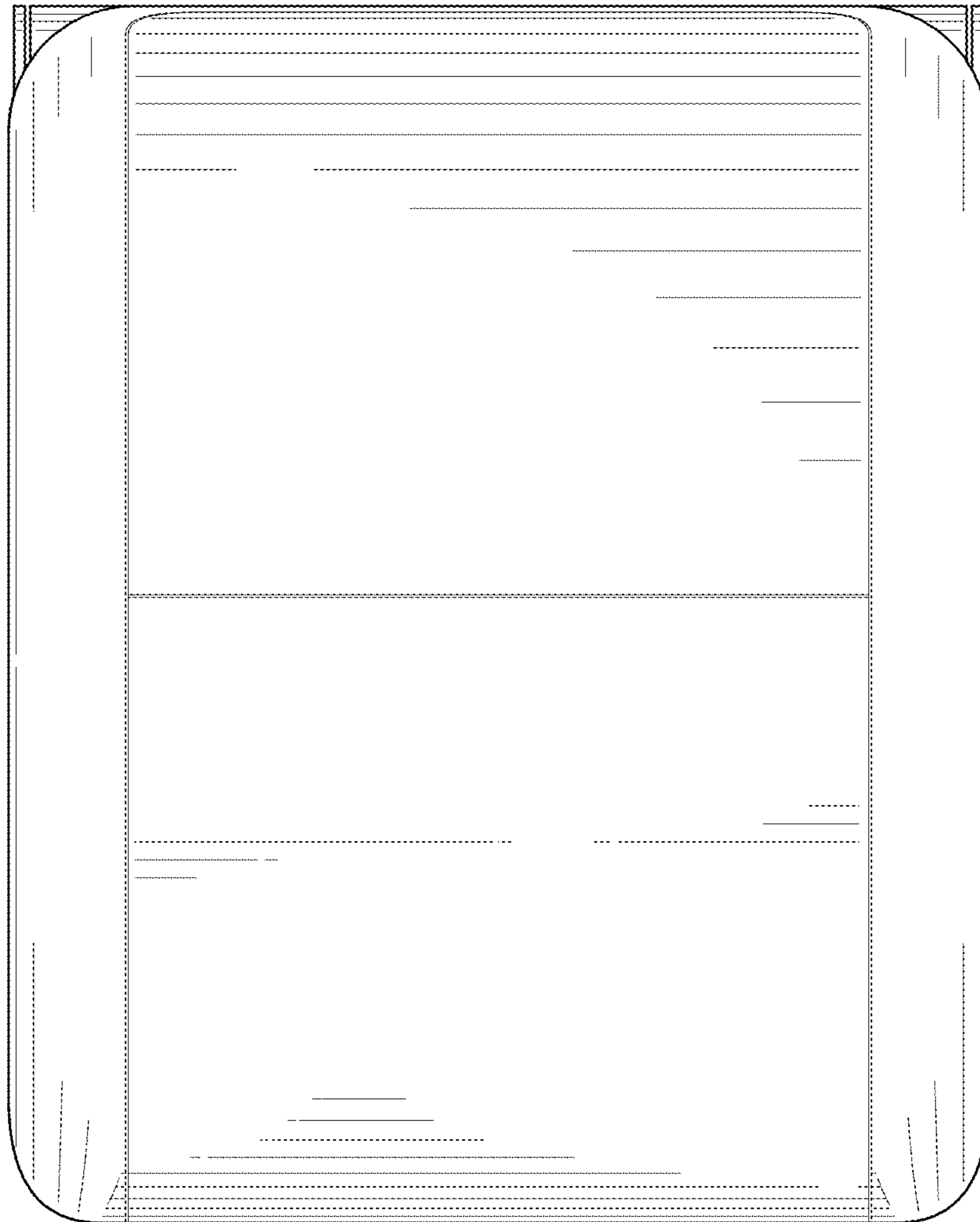


FIG. 3

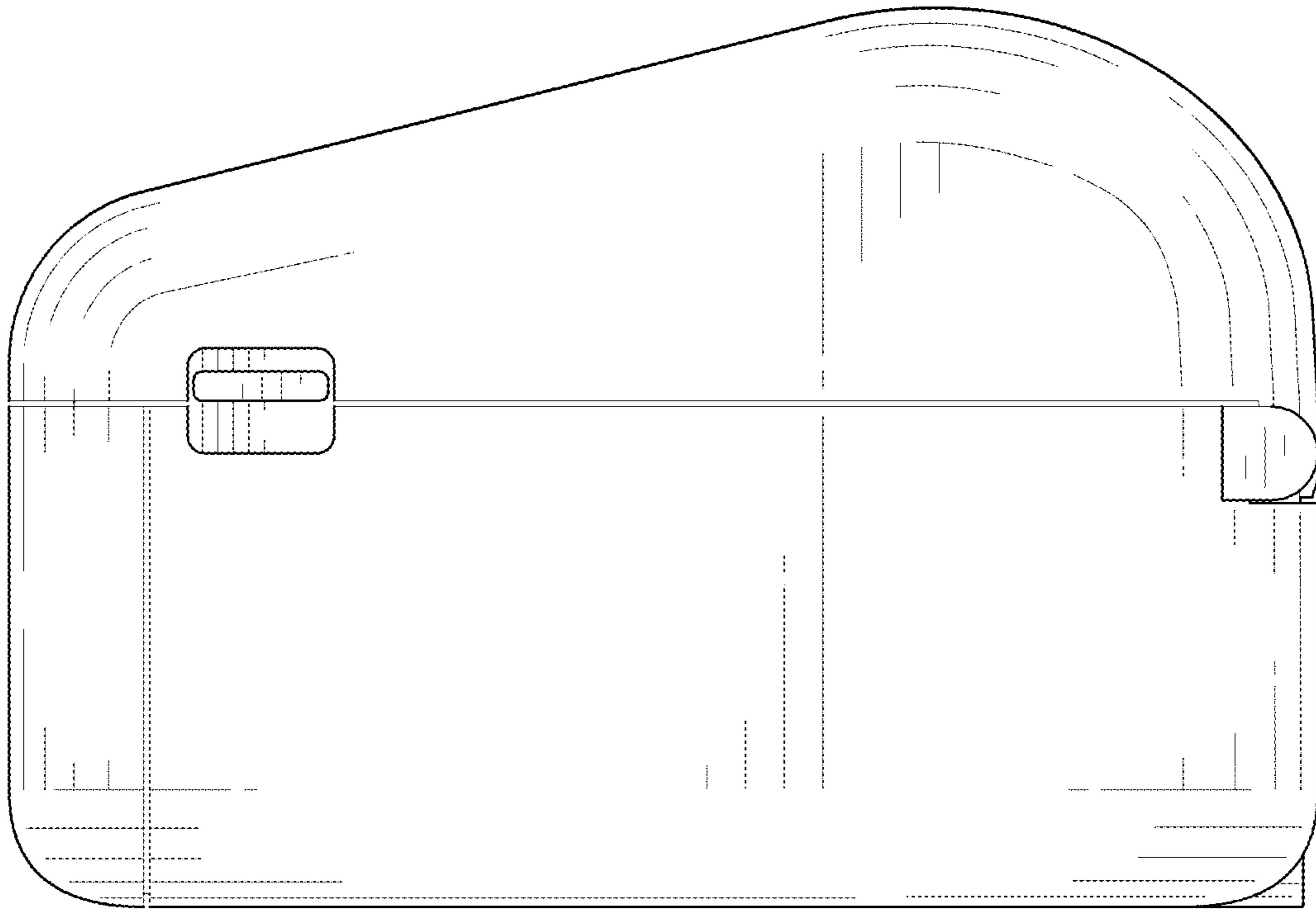


FIG. 4

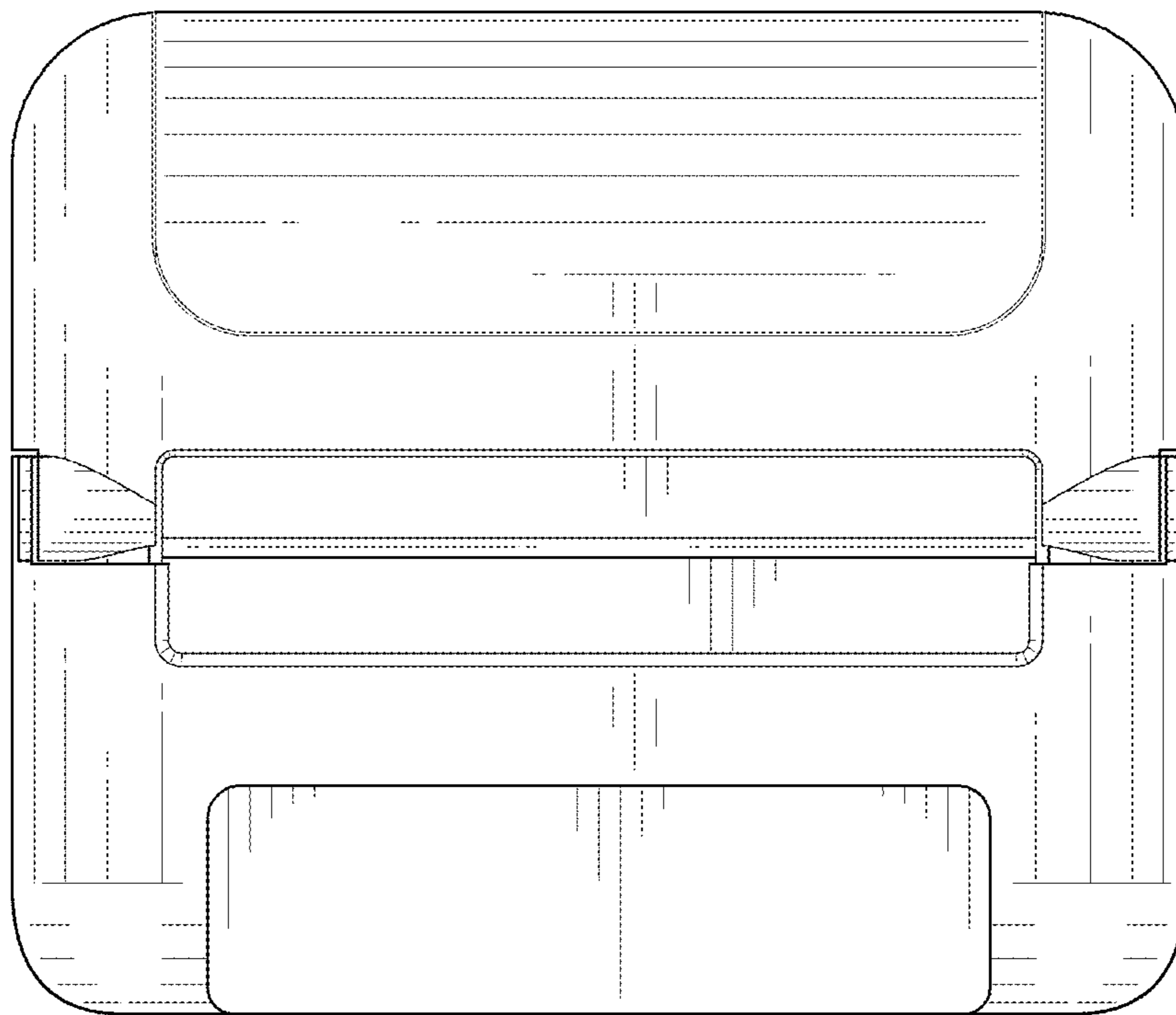


FIG. 5

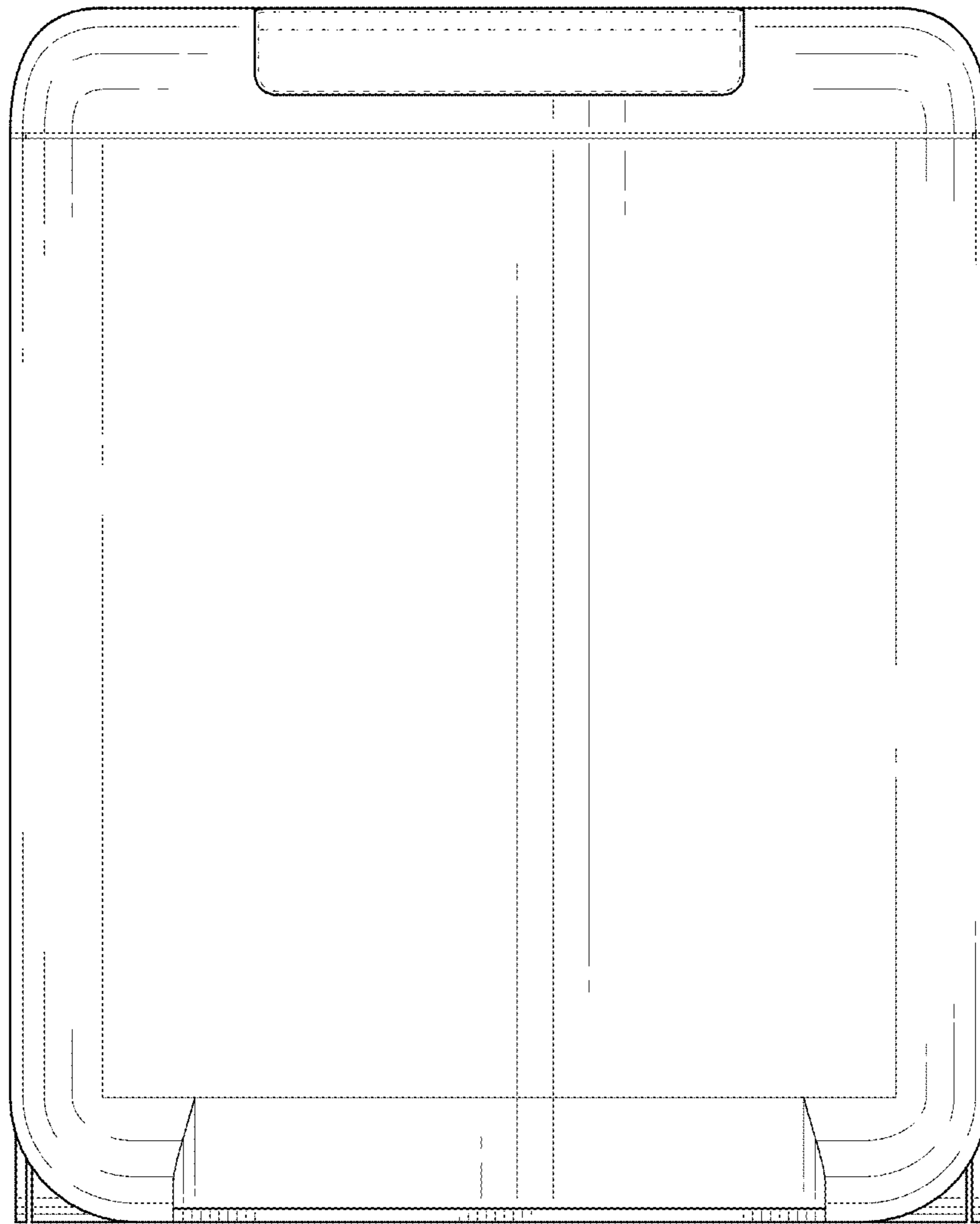


FIG. 6