



US00D876532S

(12) **United States Design Patent** (10) **Patent No.:** **US D876,532 S**
D'Addario et al. (45) **Date of Patent:** **** Feb. 25, 2020**

- (54) **MUSICAL INSTRUMENT TUNER**
- (71) Applicant: **D'Addario & Company, Inc.**,
Farmingdale, NY (US)
- (72) Inventors: **James D'Addario**, Old Westbury, NY (US); **Richard Ned Steinberger**, Nobleboro, ME (US); **Zachary Stringham**, New York, NY (US); **Andrzej J. Krol**, Wayne, NJ (US)
- (73) Assignee: **D'Addario & Company, Inc.**,
Farmingdale, NY (US)
- (**) Term: **15 Years**
- (21) Appl. No.: **29/662,883**
- (22) Filed: **Sep. 10, 2018**
- (51) **LOC (12) Cl.** **17-99**
- (52) **U.S. Cl.**
USPC **D17/99**; D14/188
- (58) **Field of Classification Search**
USPC D17/99, 20, 13; D14/188
CPC G10G 7/02; G10D 3/14
See application file for complete search history.

- (56) **References Cited**
U.S. PATENT DOCUMENTS
- D284,580 S * 7/1986 Scholz D17/20
D317,933 S * 7/1991 Yoshitake D14/299

- D426,226 S * 6/2000 Ridinger D14/188
D487,905 S * 3/2004 Nelson D17/99
D556,734 S * 12/2007 Otani D14/188
D604,760 S * 11/2009 Small D17/20
D629,837 S * 12/2010 Ishihara D17/20
D703,263 S 4/2014 D'Addario et al.
9,495,946 B2 11/2016 D'Addario et al.
2013/0074677 A1* 3/2013 D'Addario G10G 7/02
84/455

* cited by examiner

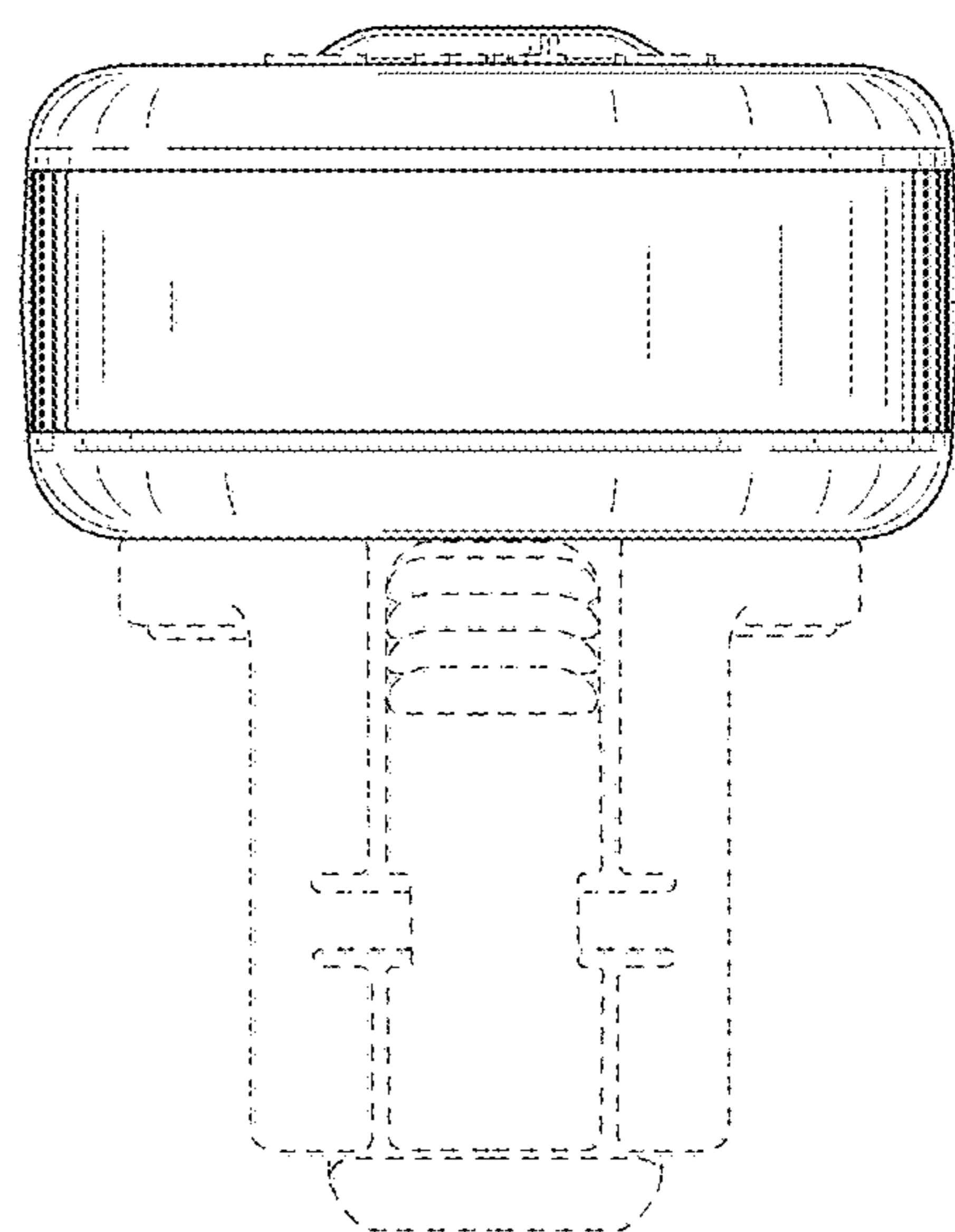
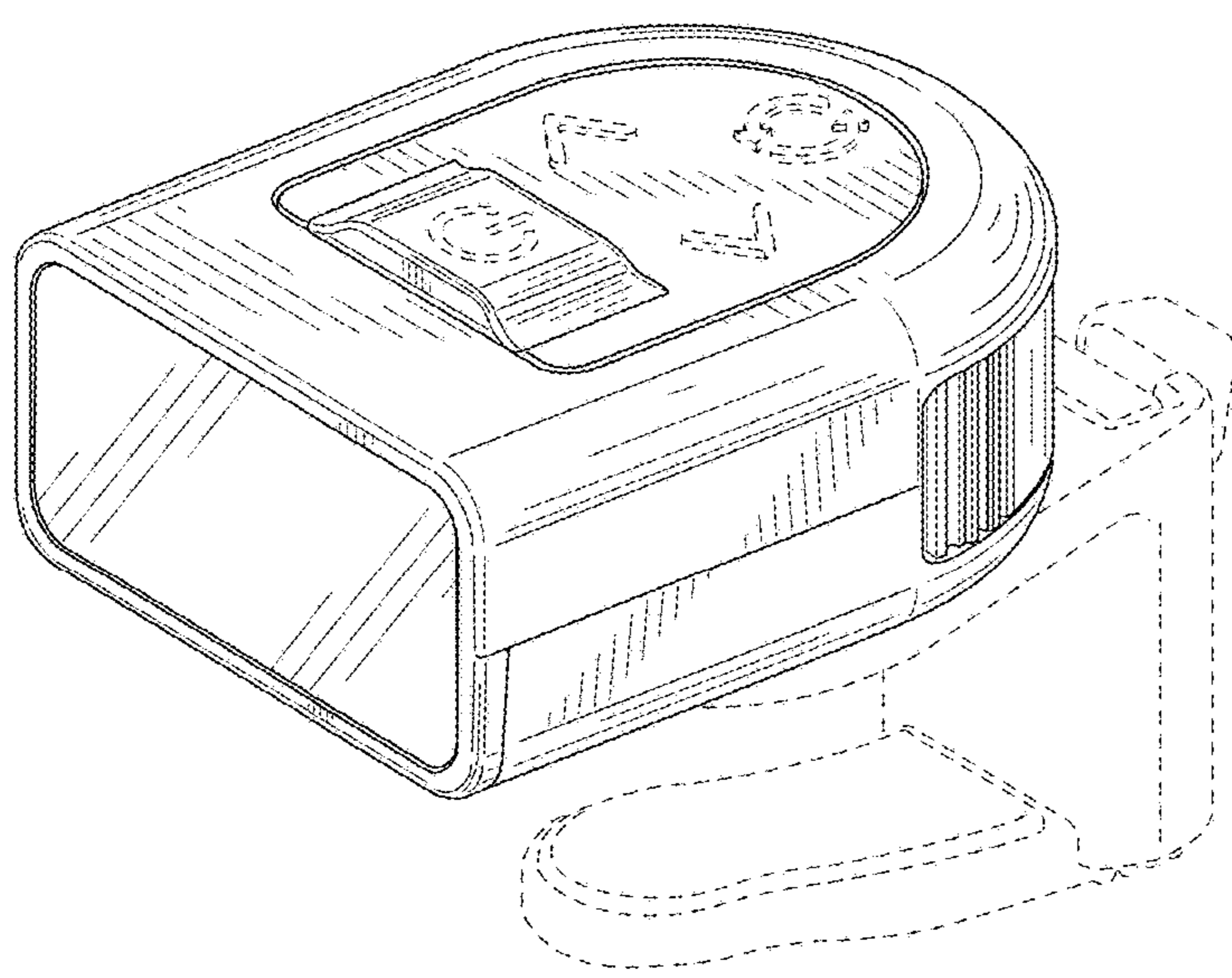
Primary Examiner — R. Johnson
 (74) *Attorney, Agent, or Firm* — Alix, Yale & Ristas, LLP

(57) **CLAIM**
 The ornamental design for a musical instrument tuner, as shown and described.

DESCRIPTION

FIG. 1 is a front perspective view of a musical instrument tuner showing our new design;
 FIG. 2 is a right side elevation view thereof;
 FIG. 3 is a left side elevation view thereof;
 FIG. 4 is a top plan view thereof;
 FIG. 5 is a bottom plan view thereof;
 FIG. 6 is front elevation view thereof; and,
 FIG. 7 is rear elevation view thereof.
 The broken lines in FIGS. 1-7 represent the portions of the musical instrument tuner which form no part of the claimed design.

1 Claim, 6 Drawing Sheets



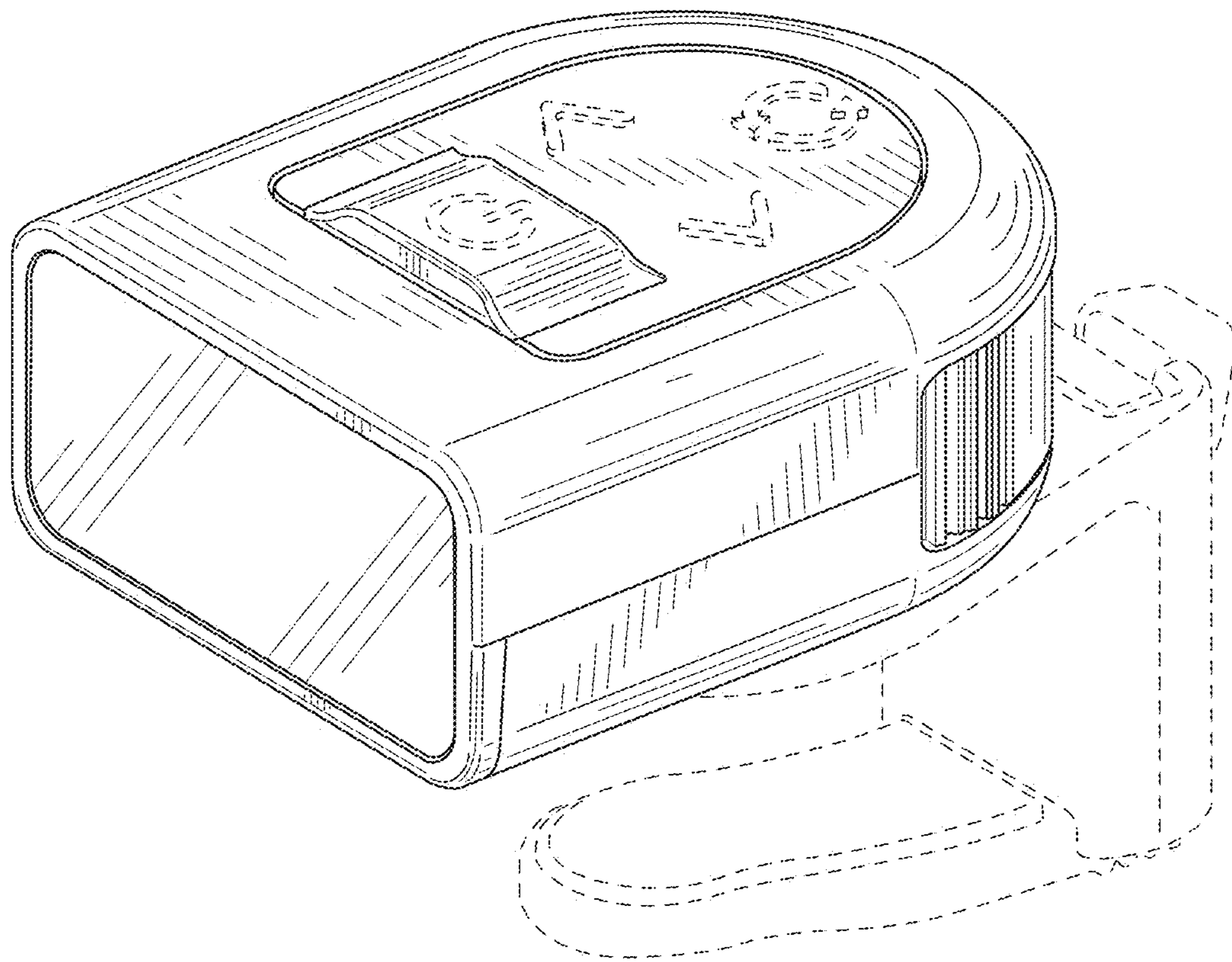


FIG. 1

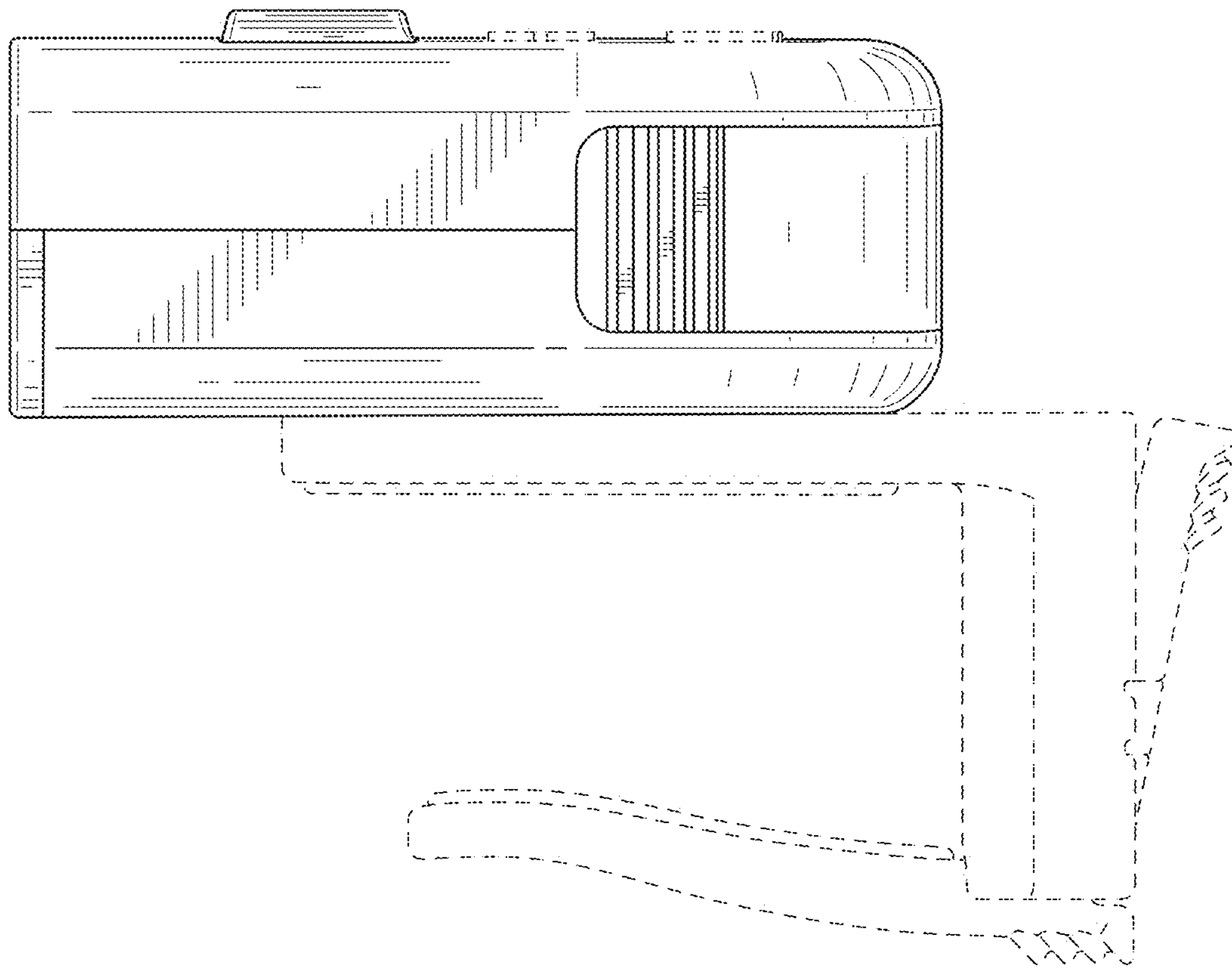


FIG. 2

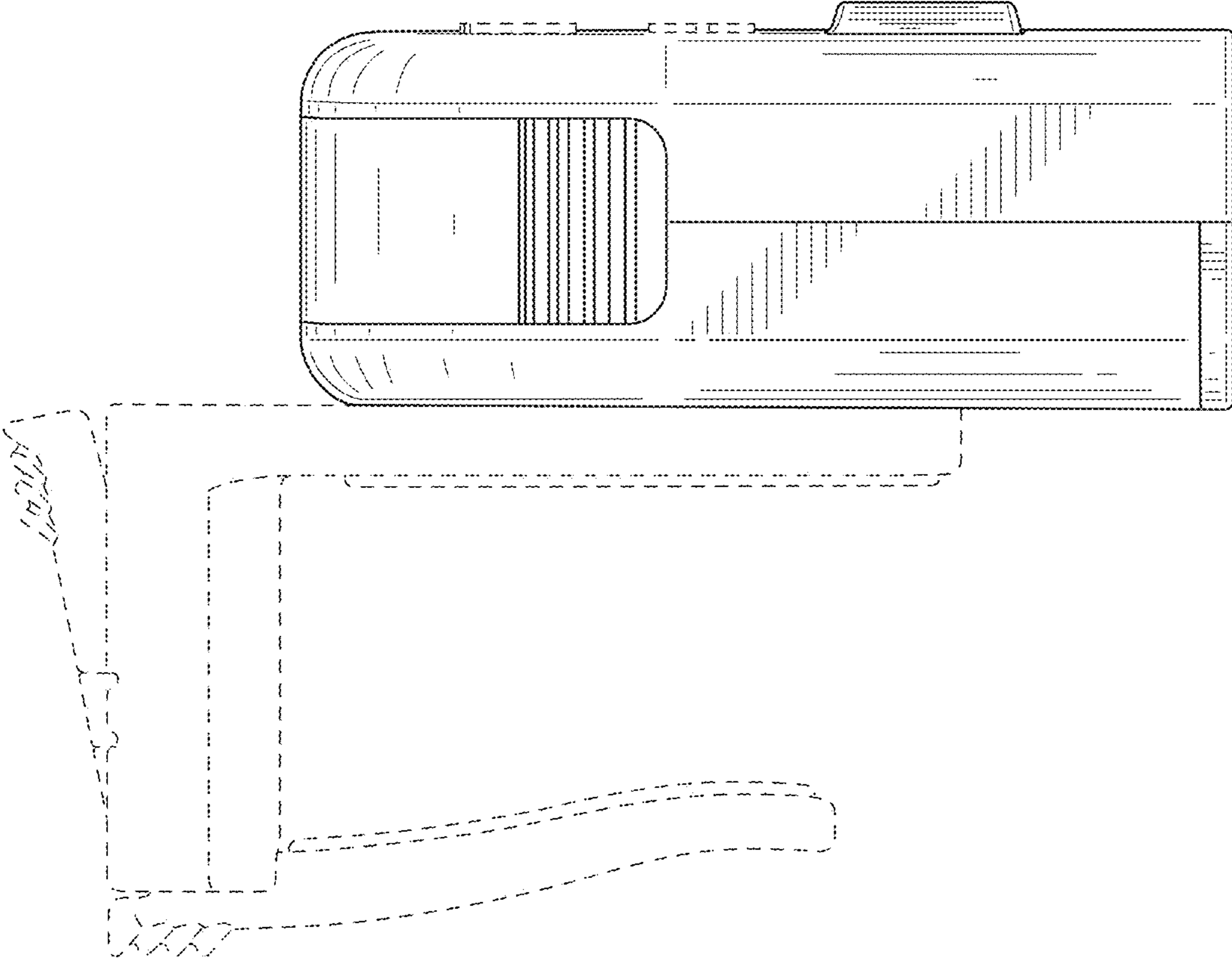


FIG. 3

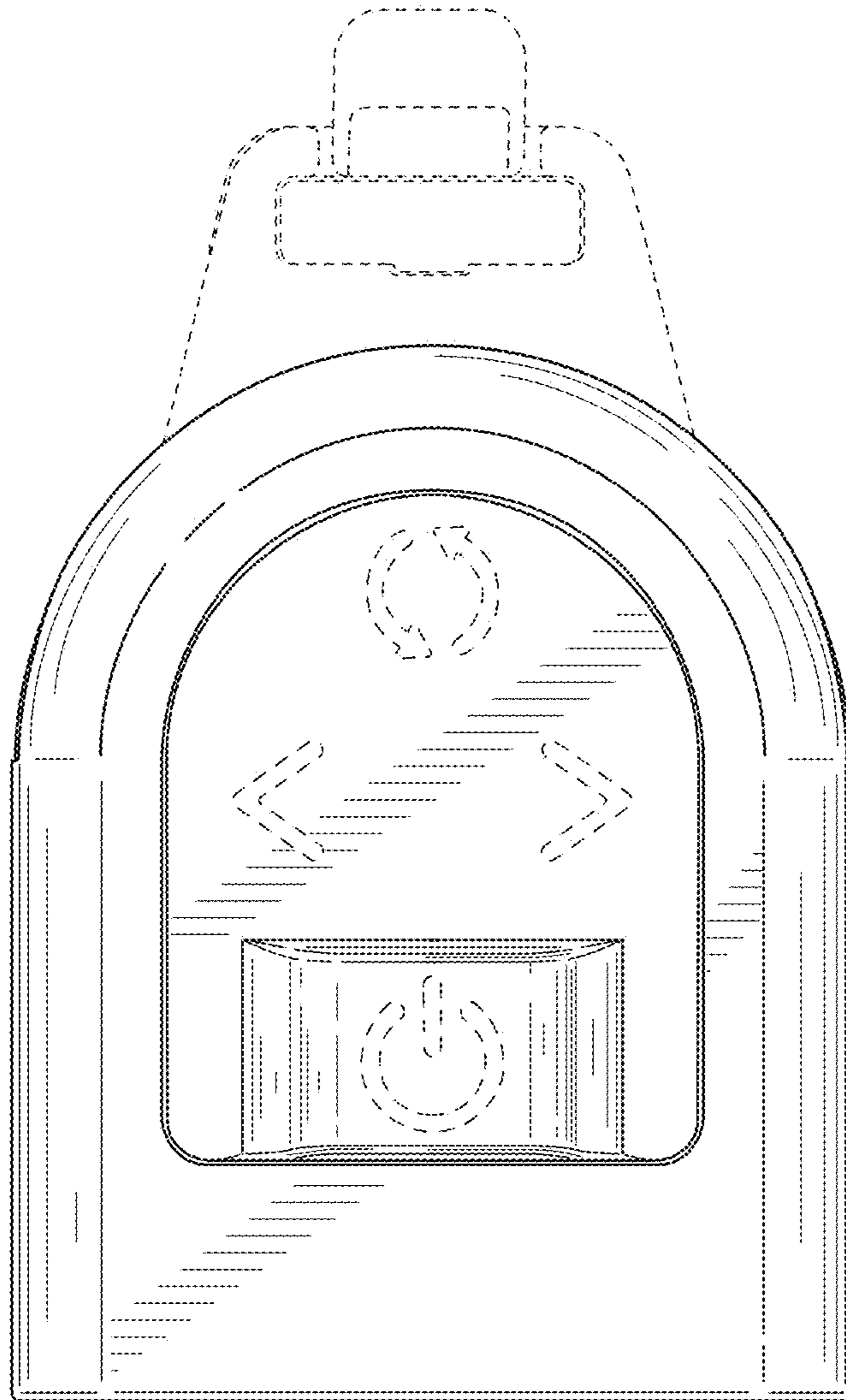


FIG. 4

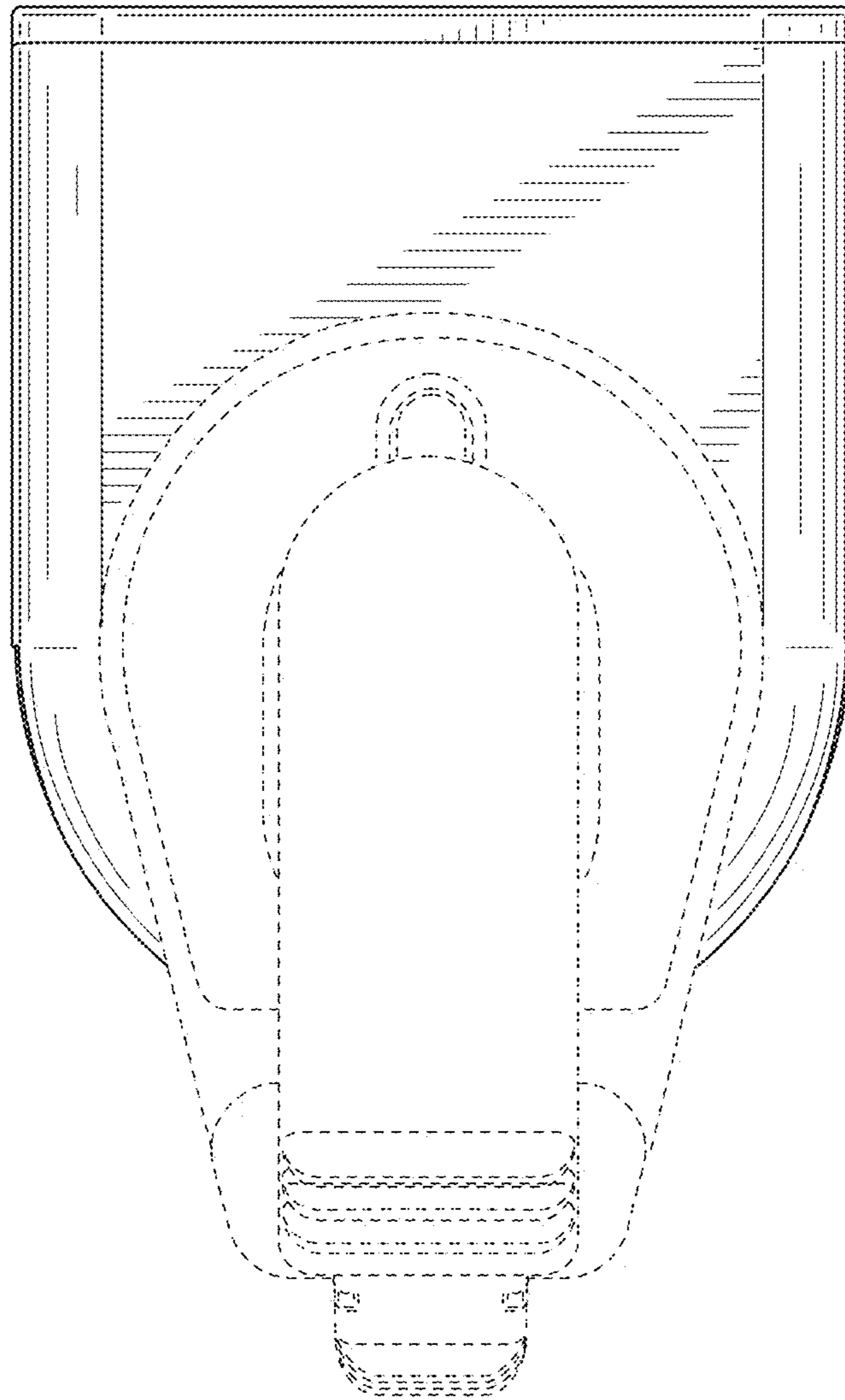


FIG. 5

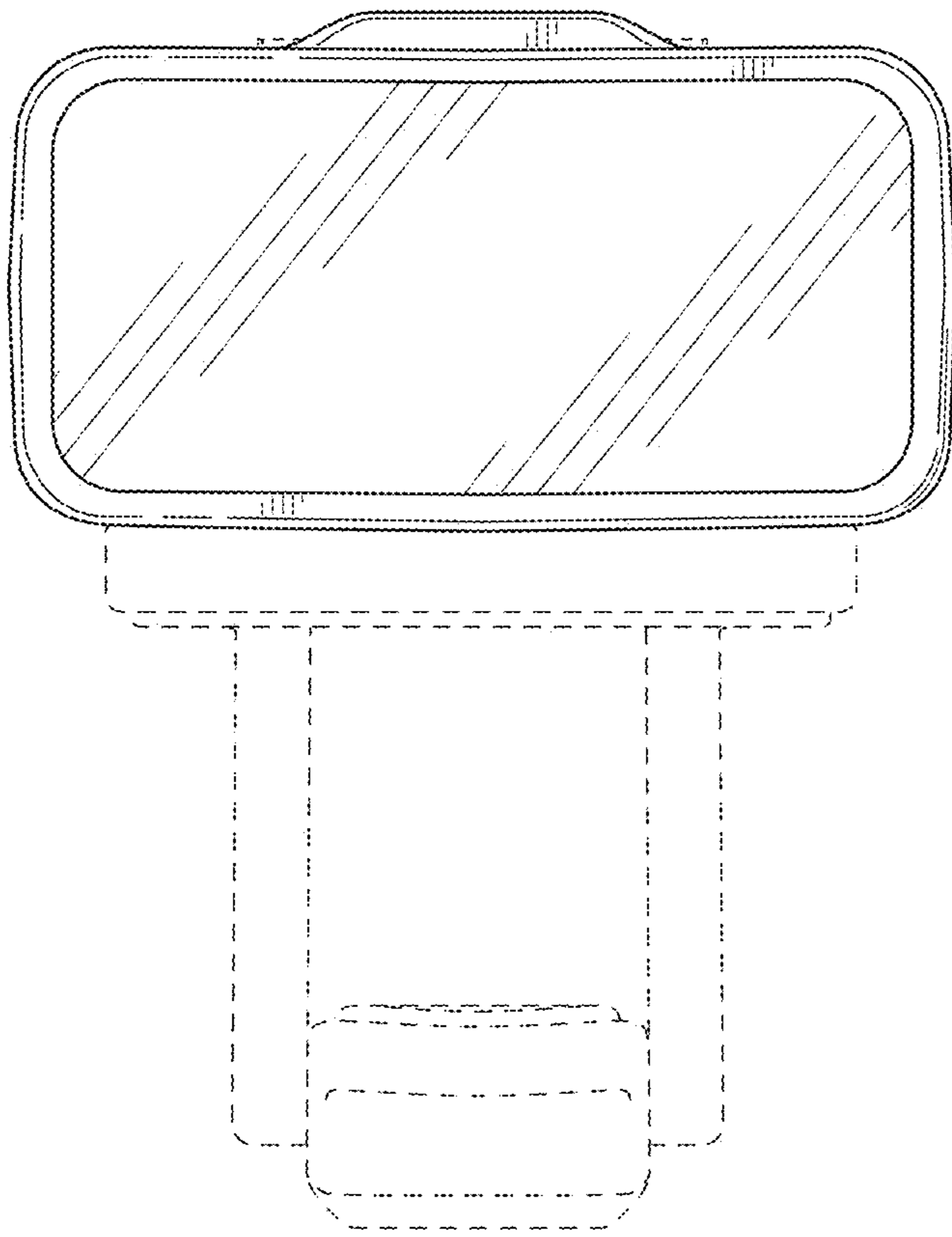


FIG. 6

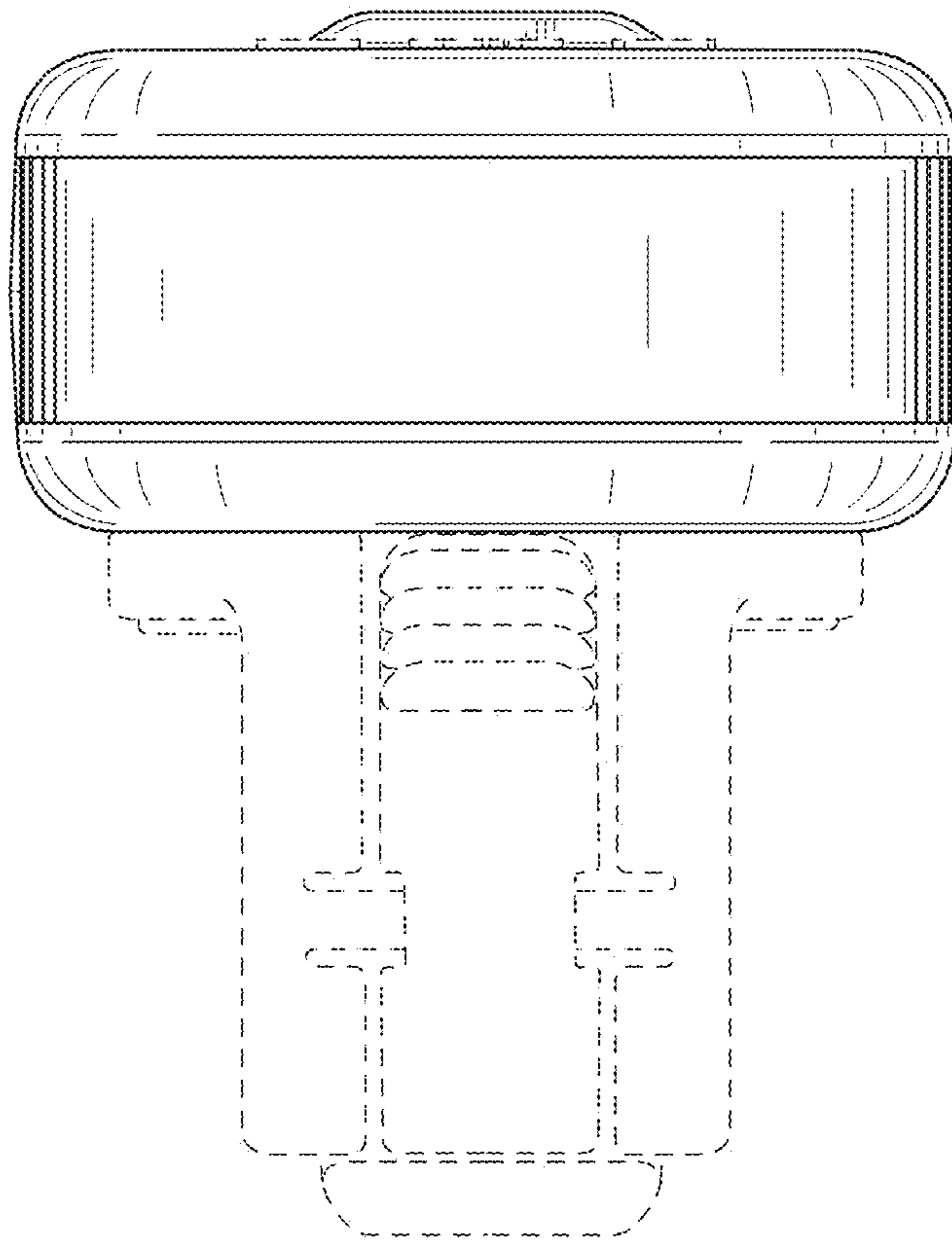


FIG. 7