



US00D876529S

(12) **United States Design Patent**
Jamin

(10) **Patent No.:** **US D876,529 S**

(45) **Date of Patent:** **** Feb. 25, 2020**

(54) **SUNGLASSES**

(71) Applicant: **Christian Dior Couture**, Paris (FR)

(72) Inventor: **Mathieu Jamin**, Saint Maur les Fosses (FR)

(**) Term: **15 Years**

(21) Appl. No.: **35/504,344**

(22) Filed: **Sep. 26, 2017**

(80) **Hague Agreement Data**

Int. Filing Date: **Sep. 26, 2017**

Int. Reg. No.: **DM/099246**

Int. Reg. Date: **Sep. 26, 2017**

Int. Reg. Pub. Date: **Jan. 26, 2018**

(51) **LOC (12) Cl.** **16-06**

(52) **U.S. Cl.**
USPC **D16/300**

(58) **Field of Classification Search**
USPC D16/101, 300–342, 900; D21/483,
D21/659–661; D14/372

CPC G02C 2200/08; G02C 1/06; G02C 5/14;
G02C 11/02; G02C 11/04; G01C 5/16;
A61M 2021/0044; A63B 33/002

See application file for complete search history.

(56) **References Cited**

U.S. PATENT DOCUMENTS

D238,831 S * 2/1976 Helfand D29/109
D317,316 S * 6/1991 Stanley D16/325

D365,837 S * 1/1996 Canavan D16/325
D432,508 S * 10/2000 Park D14/372
D492,492 S * 7/2004 Richard D16/326
D656,177 S * 3/2012 Sallard D16/326
D685,408 S * 7/2013 King D16/306
D778,978 S * 2/2017 Renon D16/326
D803,302 S * 11/2017 Park D16/326
D803,303 S * 11/2017 Park D16/326
D805,123 S * 12/2017 Park D16/326

* cited by examiner

Primary Examiner — Holly E Thurman

(57) **CLAIM**

The ornamental design for sunglasses, as shown and described.

DESCRIPTION

1. Sunglasses

1.1 is a front view of the sunglasses showing my new design;

1.2 is a back view thereof;

1.3 is a top view thereof;

1.4 is a bottom view thereof;

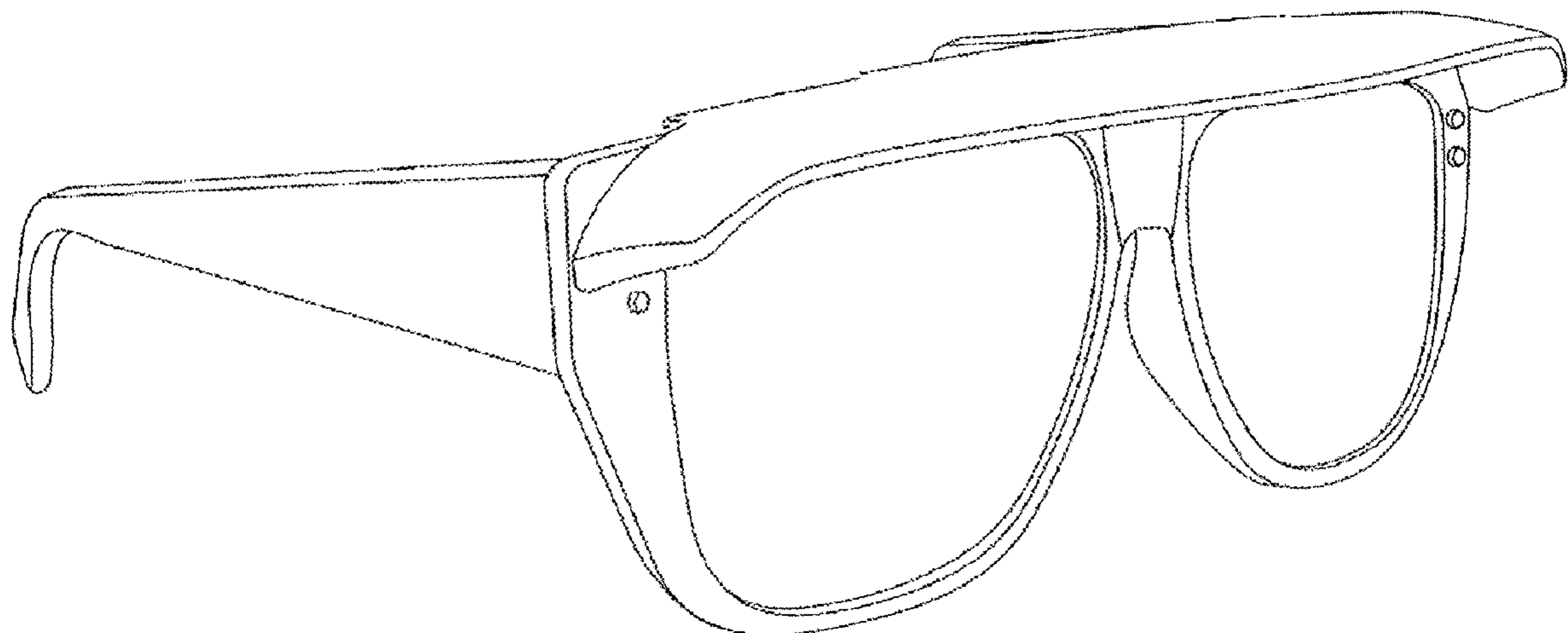
1.5 is a perspective view thereof;

1.6 is a left side view thereof; and

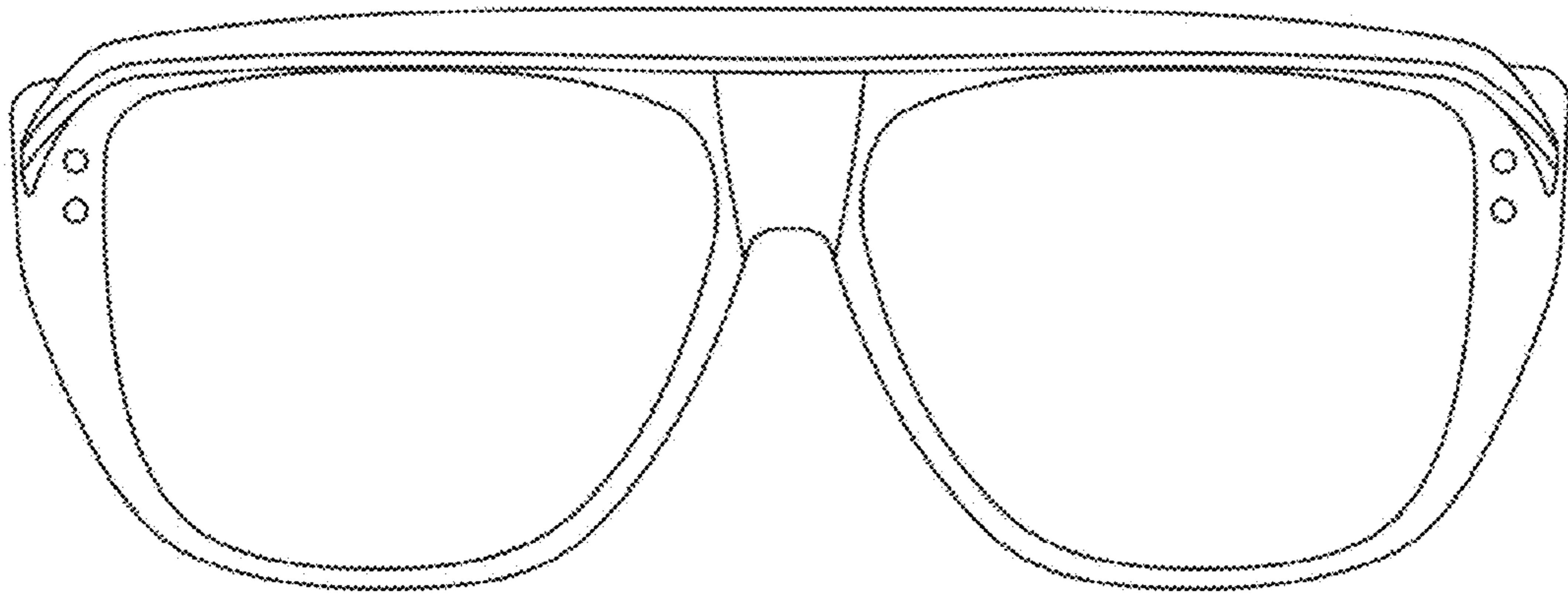
1.7 is a right side view thereof.

The ornamental design which is claimed is shown in solid lines in the drawings. The broken lines showing of portions of the article form no part of the claimed design.

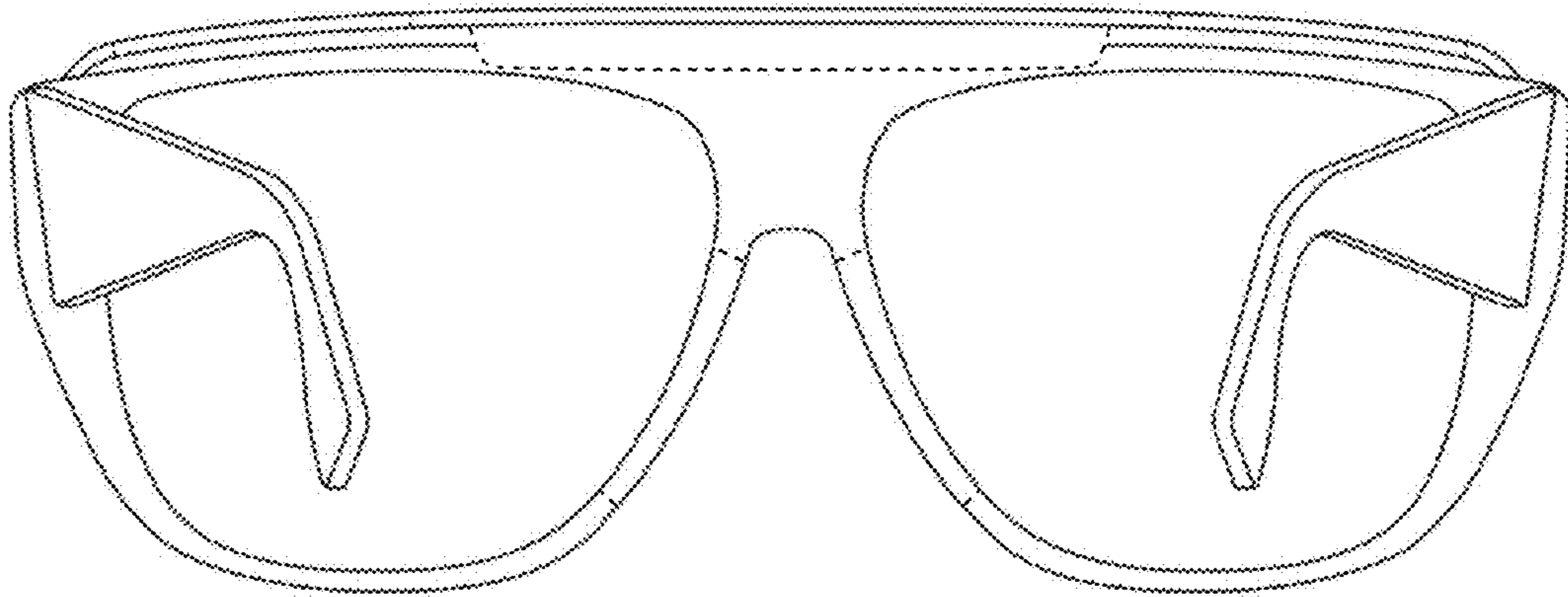
1 Claim, 7 Drawing Sheets



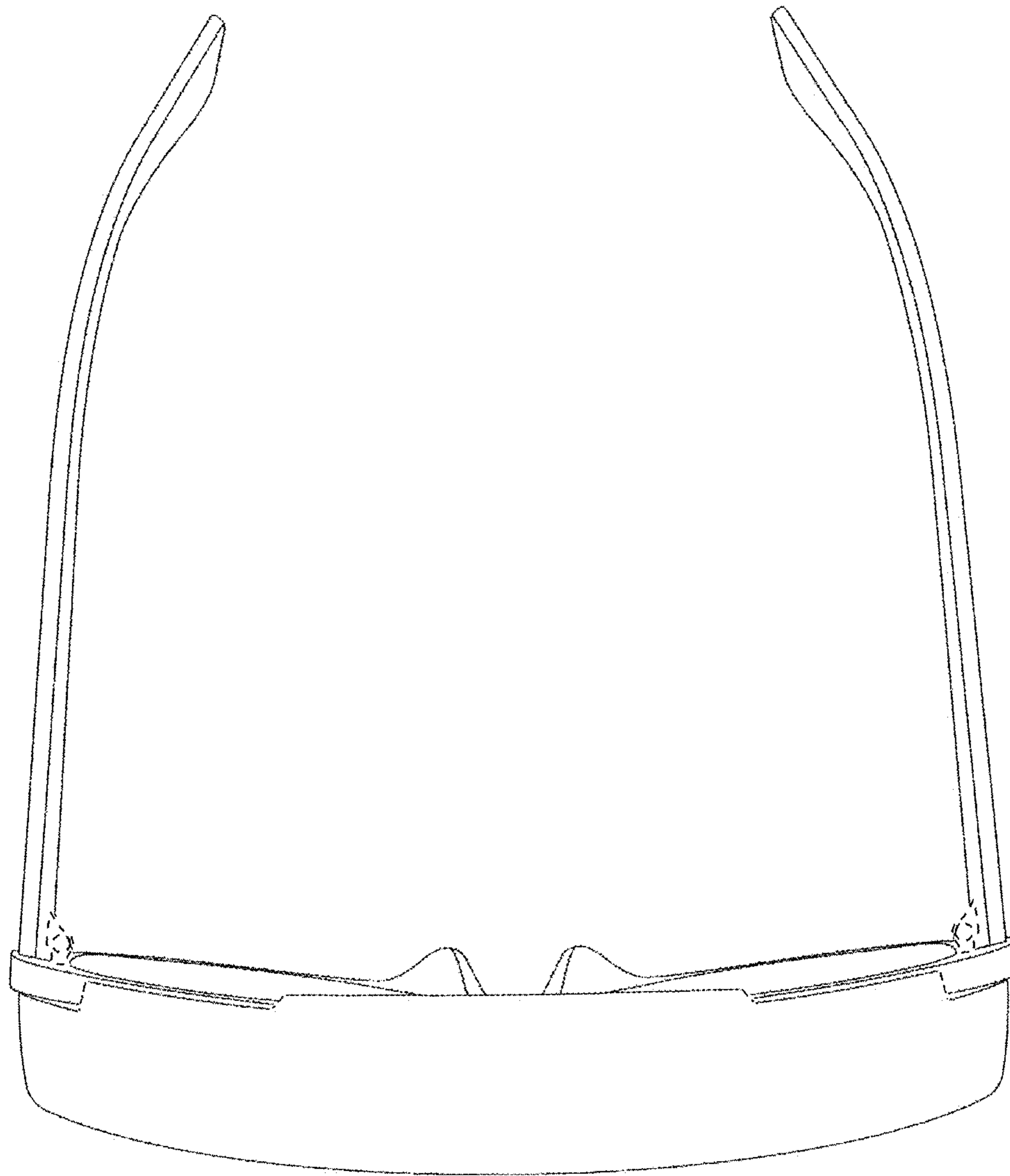
1.1



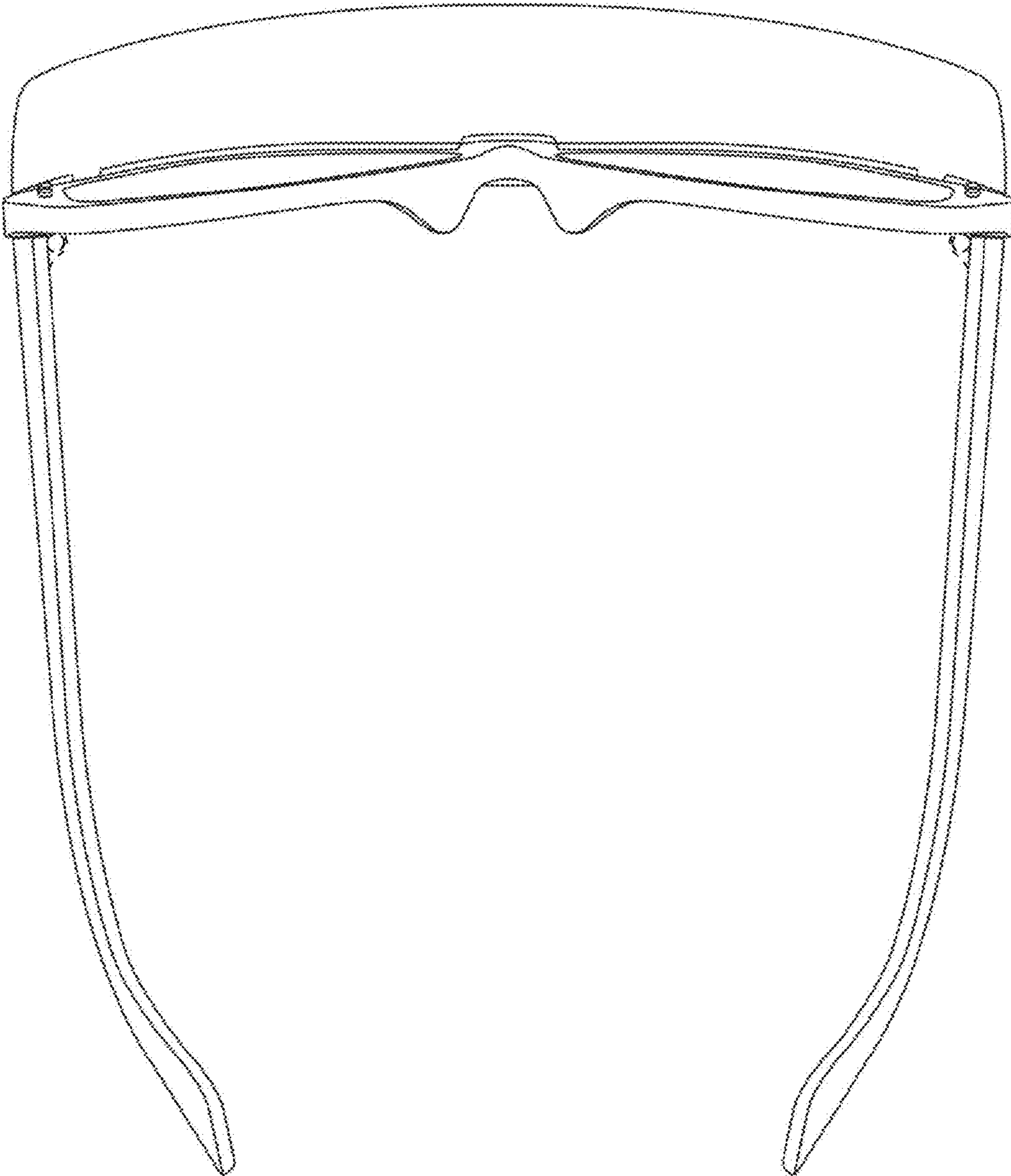
1.2



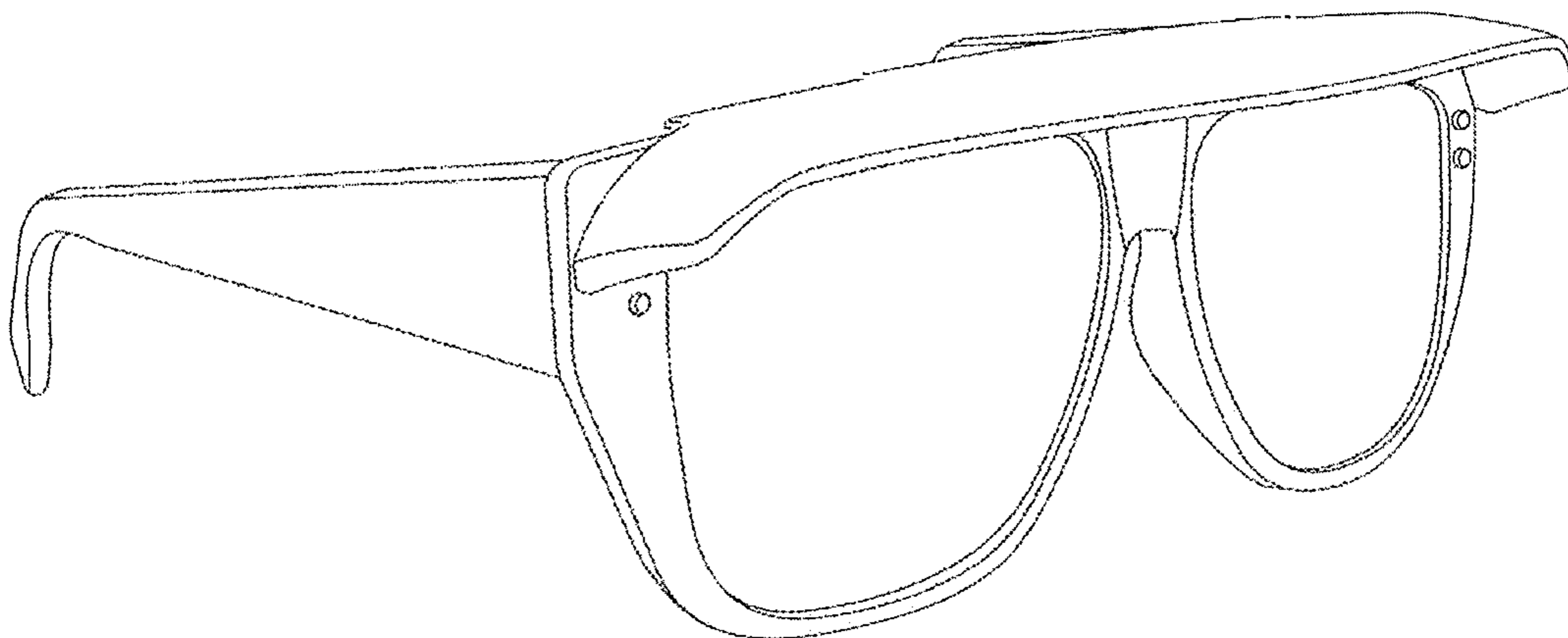
1.3



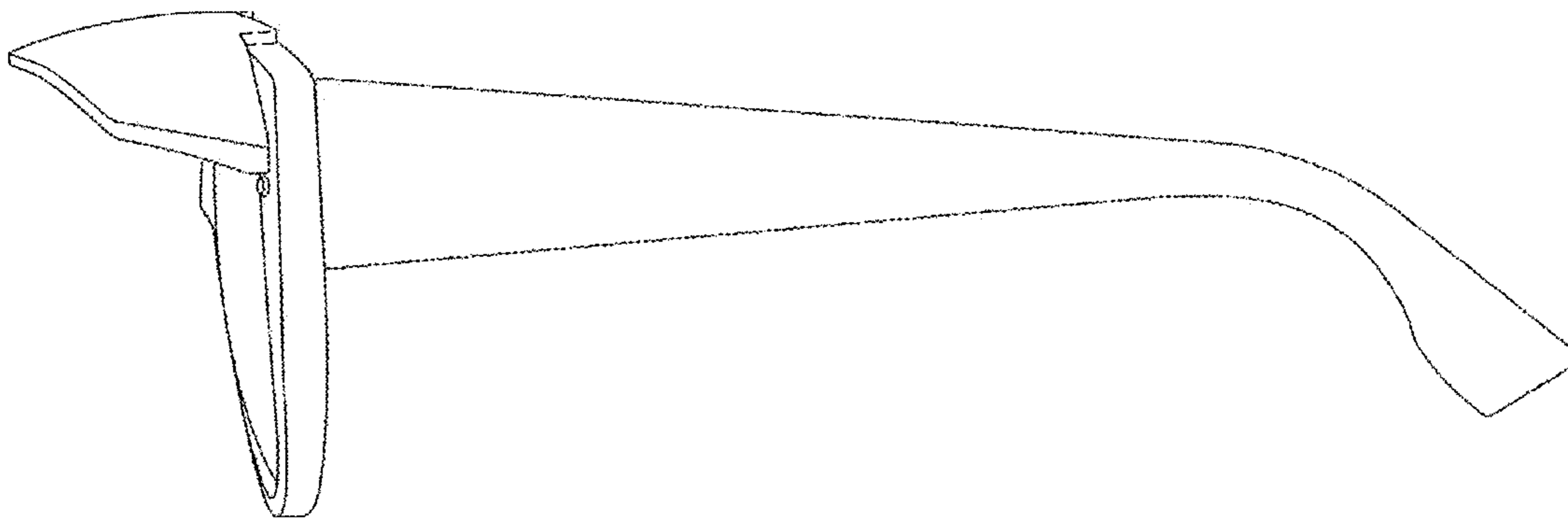
1.4



1.5



1.6



1.7

