



US00D876528S

(12) **United States Design Patent**
Sequeira de Sousa

(10) **Patent No.:** **US D876,528 S**

(45) **Date of Patent:** **** Feb. 25, 2020**

(54) **CAMERA BRACKET**

(71) Applicant: **SCHREDER, S.A.**, Brussels (BE)

(72) Inventor: **Daniel Andre Sequeira de Sousa**,
Amadora (PT)

(73) Assignee: **Schreder, S.A.**, Brussels (BE)

(**) Term: **15 Years**

(21) Appl. No.: **29/669,579**

(22) Filed: **Nov. 9, 2018**

(30) **Foreign Application Priority Data**

May 9, 2018 (EM) 005263472-0001

(51) **LOC (12) Cl.** **16-05**

(52) **U.S. Cl.**
USPC **D16/242**

(58) **Field of Classification Search**
USPC D16/219, 237-250; D8/354, 355, 363,
D8/373, 382-383, 394-396; D14/224,
D14/229, 238, 251, 447, 451, 457
CPC H04N 5/2253-2254; G03B 17/561-568;
G03B 17/56; G02B 7/00-002; F16M
11/14; F16M 11/06-10; A45F
2200/0508-0533; A45F 5/00; A45F 5/10
See application file for complete search history.

(56) **References Cited**

U.S. PATENT DOCUMENTS

D47,042 S * 3/1915 Keel D8/382
D315,675 S * 3/1991 Kennedy D32/64
D651,068 S * 12/2011 Kang D8/363
D659,521 S * 5/2012 Nagahori D8/382
D679,576 S * 4/2013 Paul D8/354

D801,151 S * 10/2017 DiBlasi D8/354
D834,395 S * 11/2018 Sawatski D8/323
D837,279 S * 1/2019 Penn D16/237
D841,076 S * 2/2019 Wengreen D16/242
D849,099 S * 5/2019 Patrick D16/208
D858,490 S * 9/2019 Qi D14/224
2010/0260631 A1* 10/2010 Kugelev F04B 53/144
417/437

OTHER PUBLICATIONS

TS-EV-003 Torque Solution Rear Engine Dogbone. [online] Retrieved
Oct. 30, 2019 from URL: <https://stmtuned.com/products/ts-ev-003-torque-solution-rear-engine-dogbone-race-mount-evo-7-8-9>.*

* cited by examiner

Primary Examiner — Vy N Koenig

(74) *Attorney, Agent, or Firm* — Kirschstein, Israel,
Schiffmiller & Pieroni, P.C.

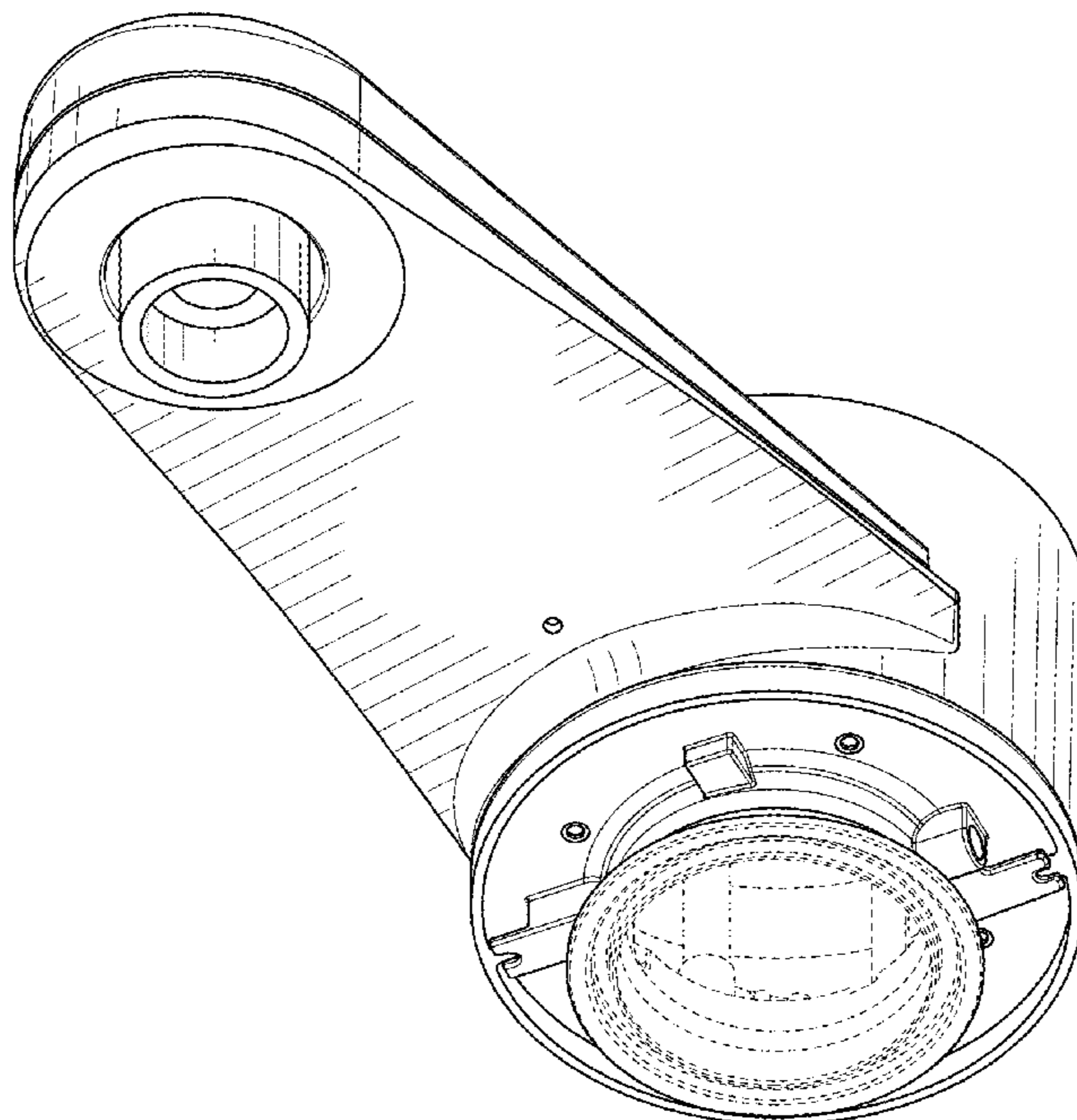
(57) **CLAIM**

The ornamental design for a camera bracket, as shown.

DESCRIPTION

FIG. 1 is a perspective view of a camera bracket as seen
from below according to my new design.
FIG. 2 is a front elevation view thereof.
FIG. 3 is a rear elevation view thereof.
FIG. 4 is a left side elevation view thereof.
FIG. 5 is a right side elevation view thereof.
FIG. 6 is a top plan view thereof; and,
FIG. 7 is a bottom plan view thereof.
The broken lines in the drawings depict features of the
camera bracket that form no part of the claimed design.

1 Claim, 6 Drawing Sheets



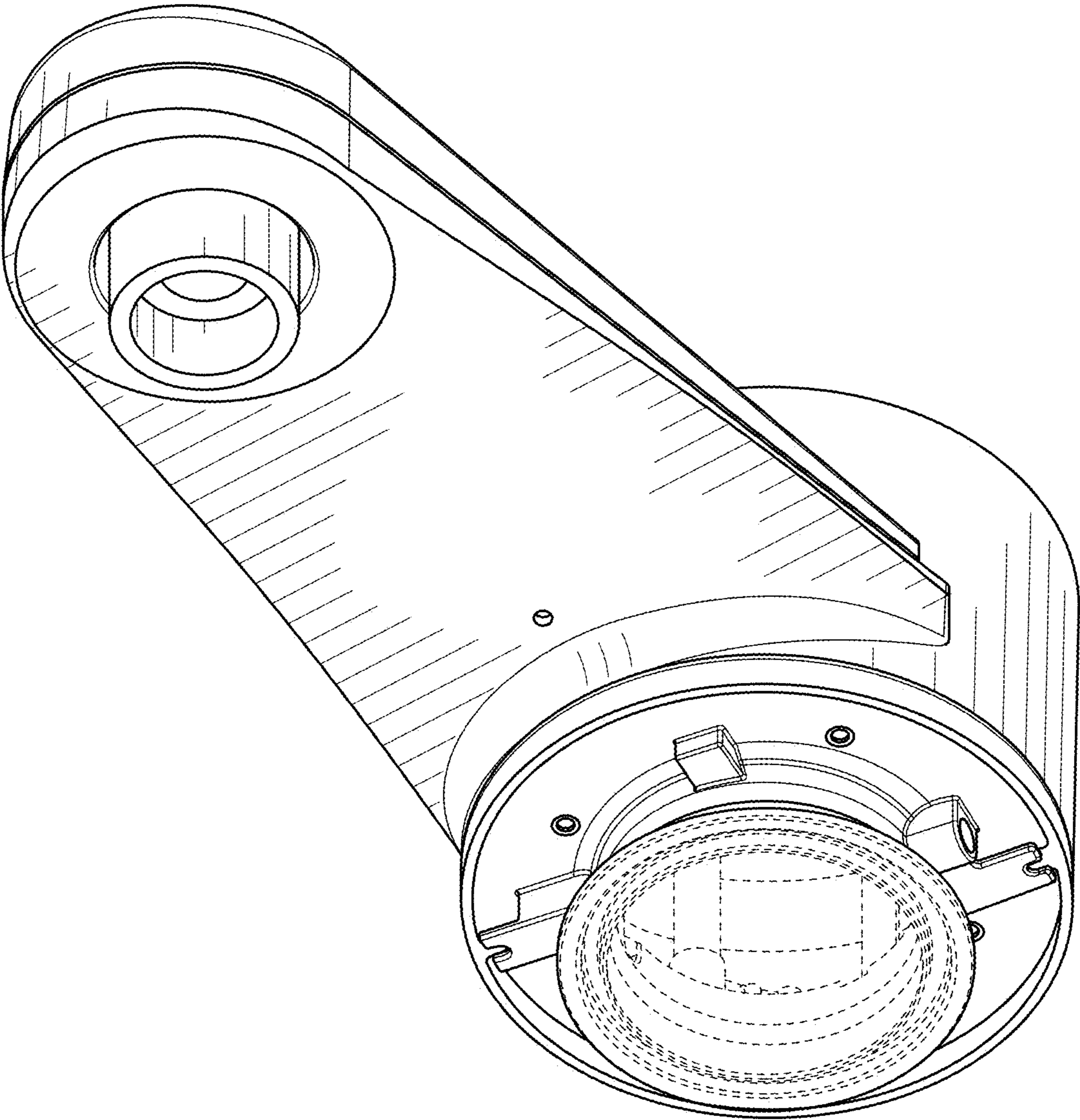


FIG. 1

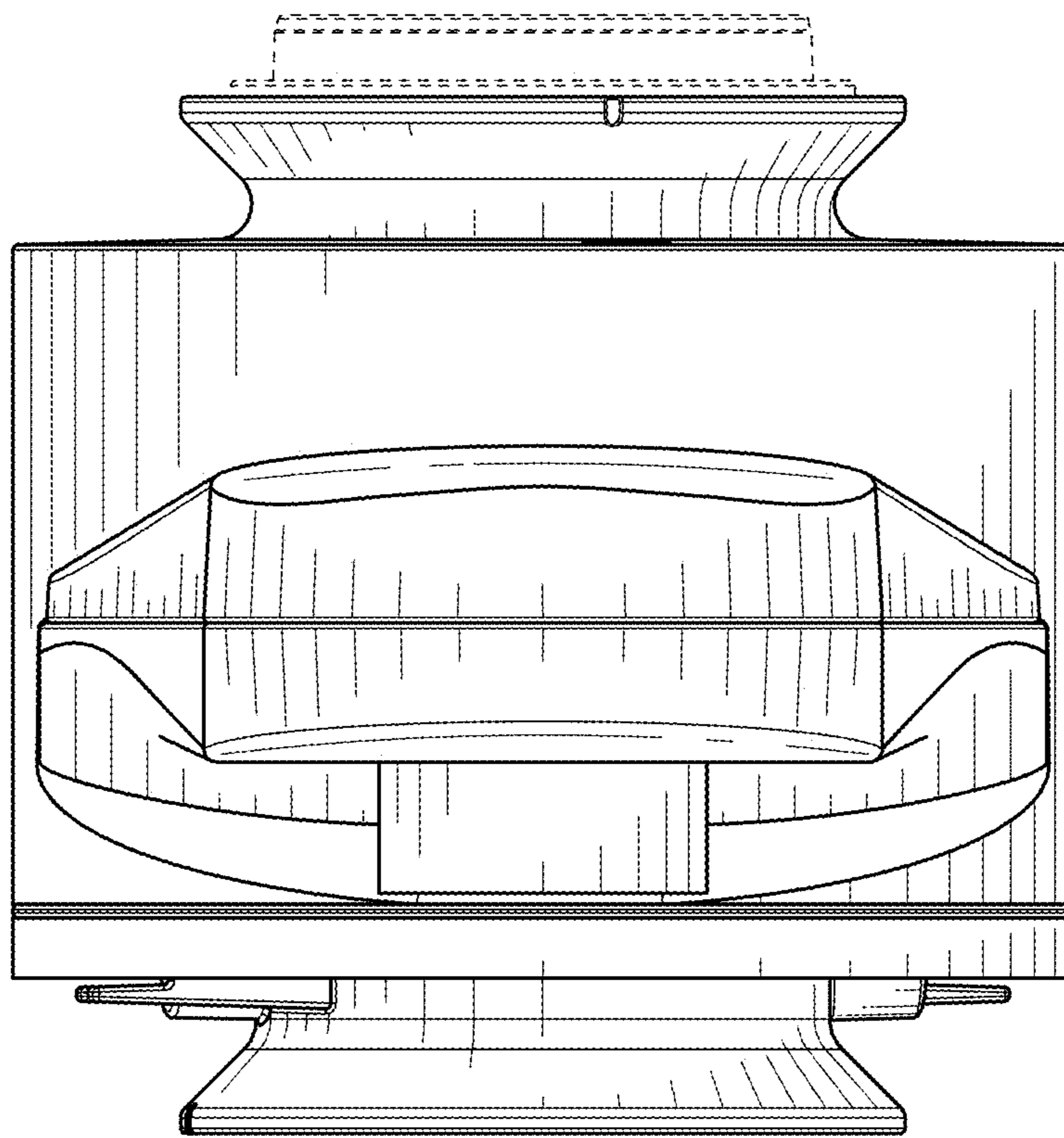


FIG. 2

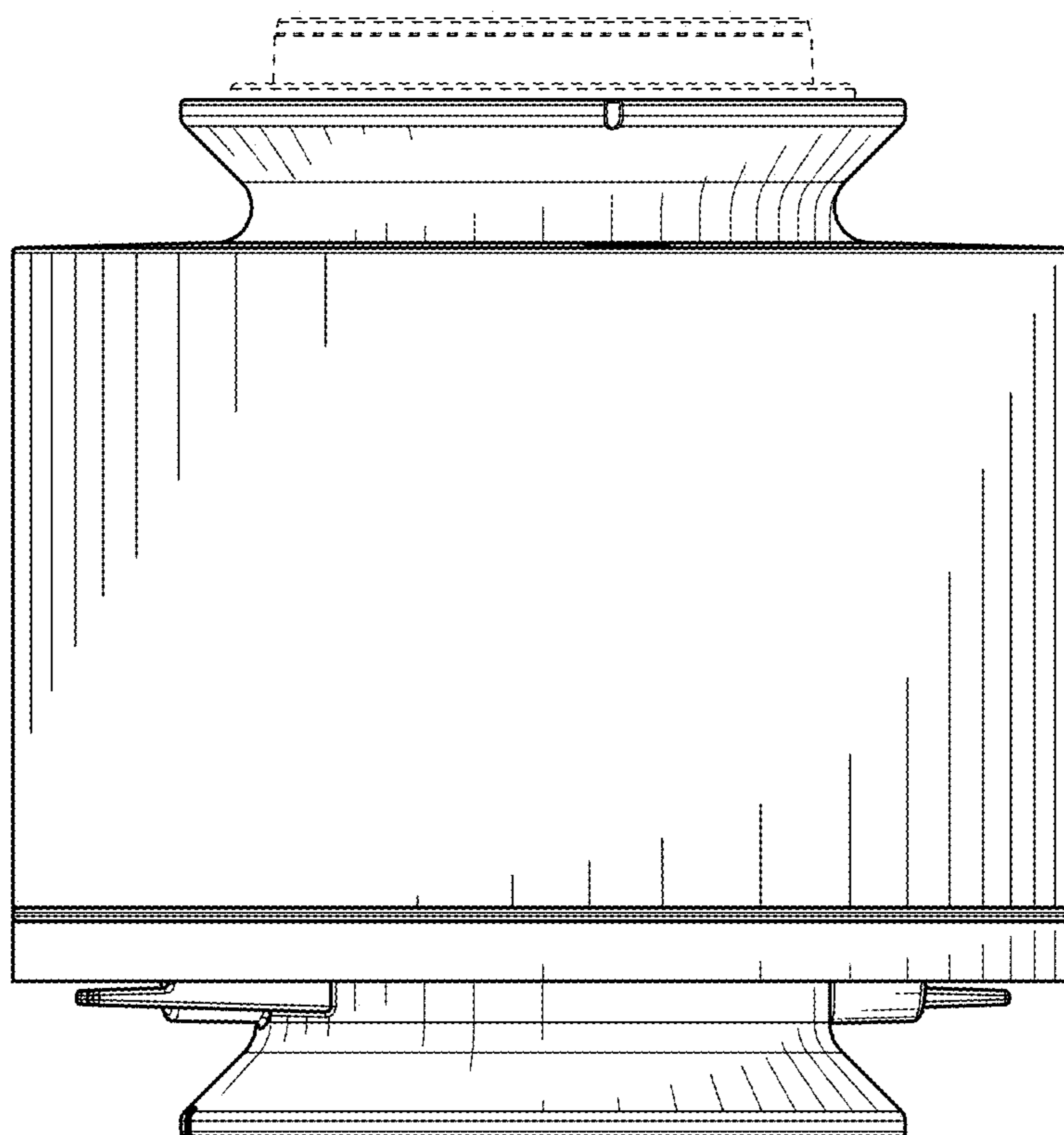


FIG. 3

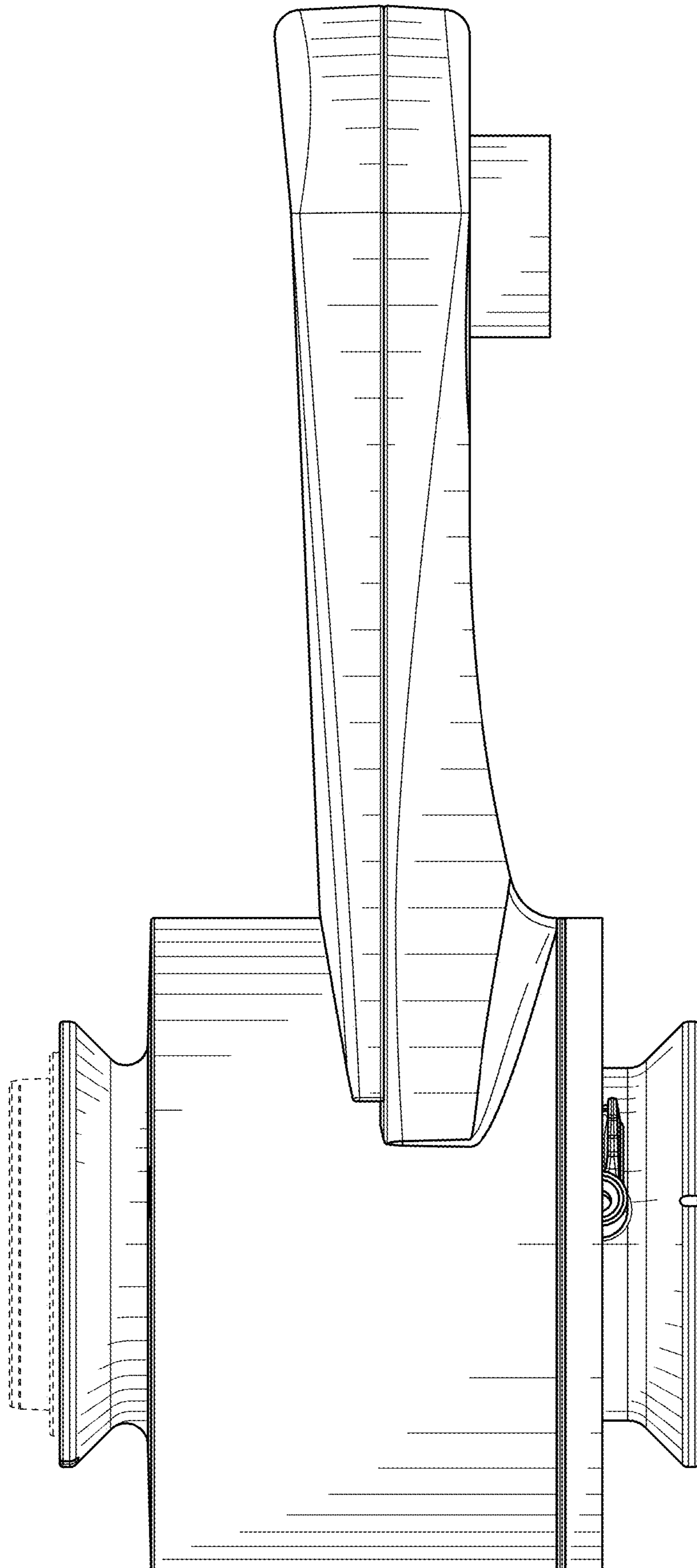


FIG. 4

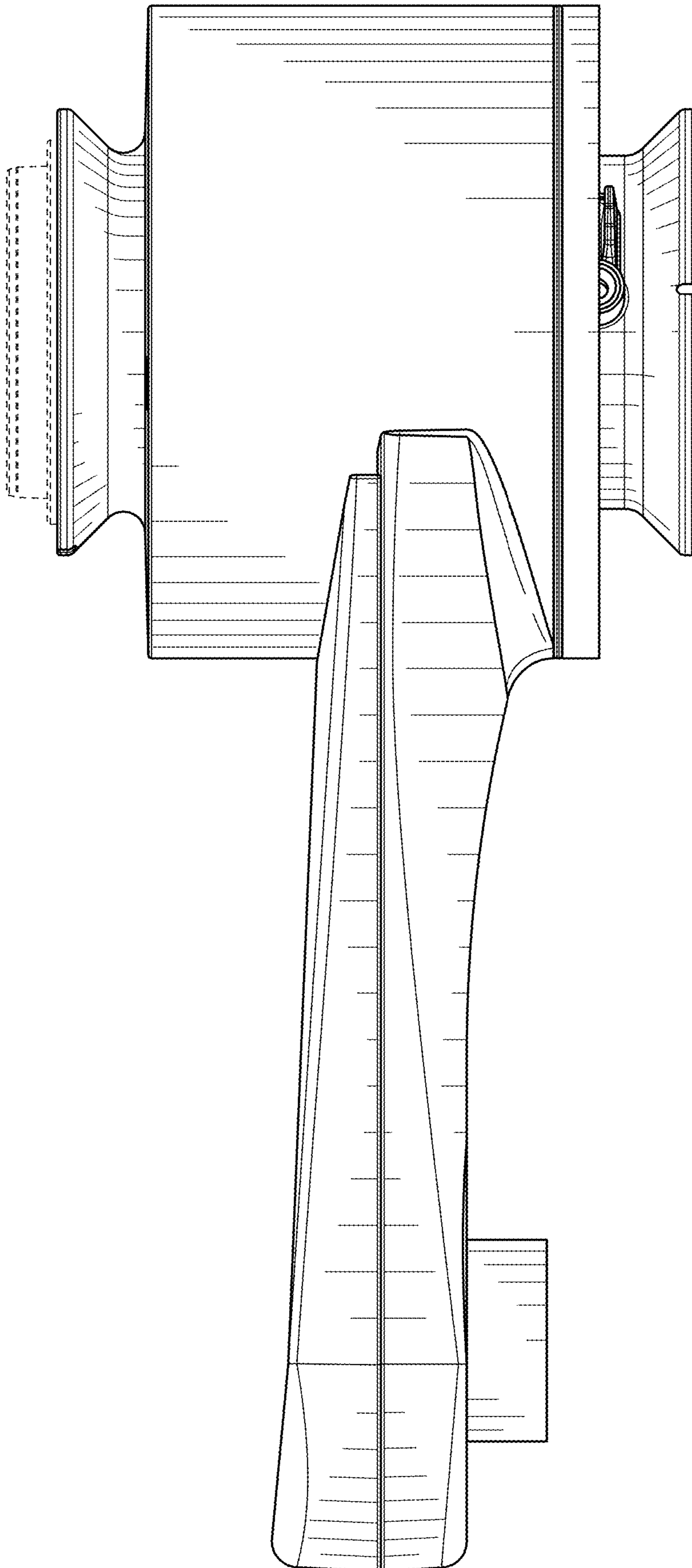


FIG. 5

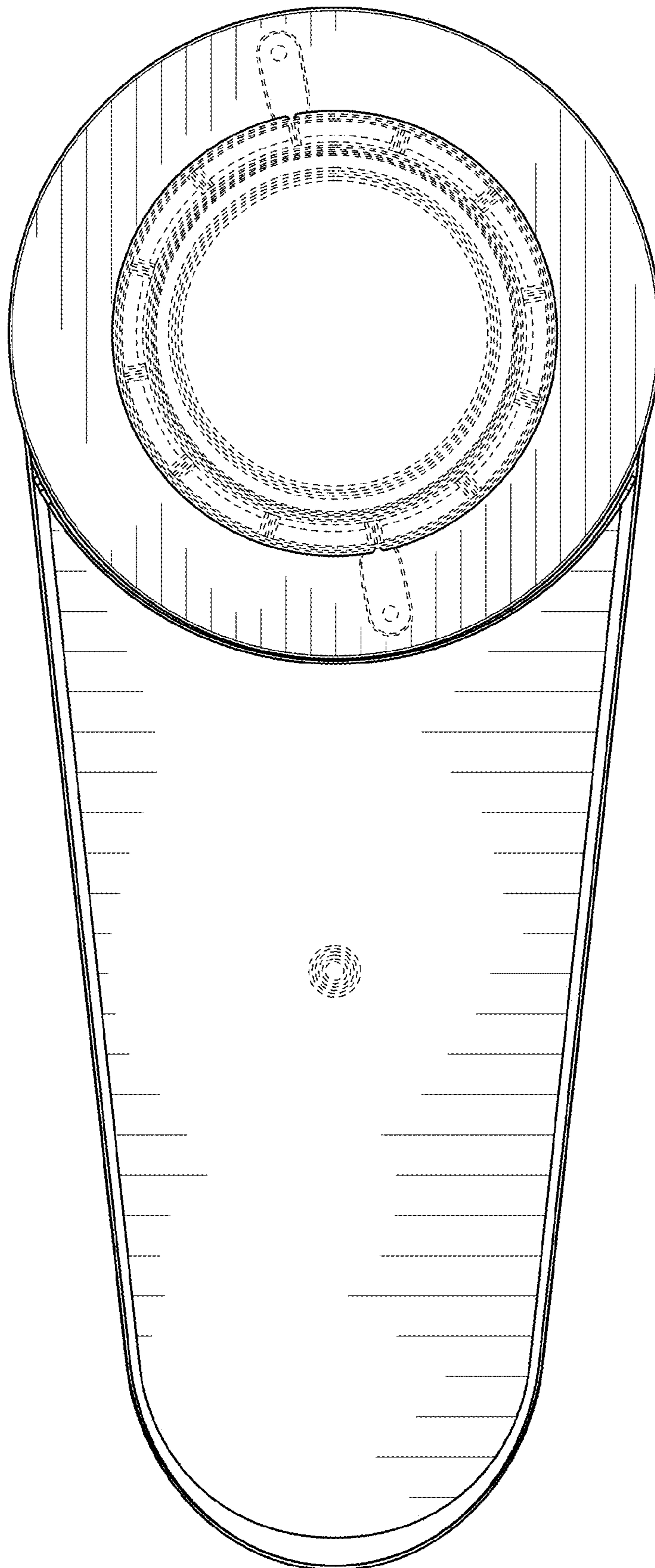


FIG. 6

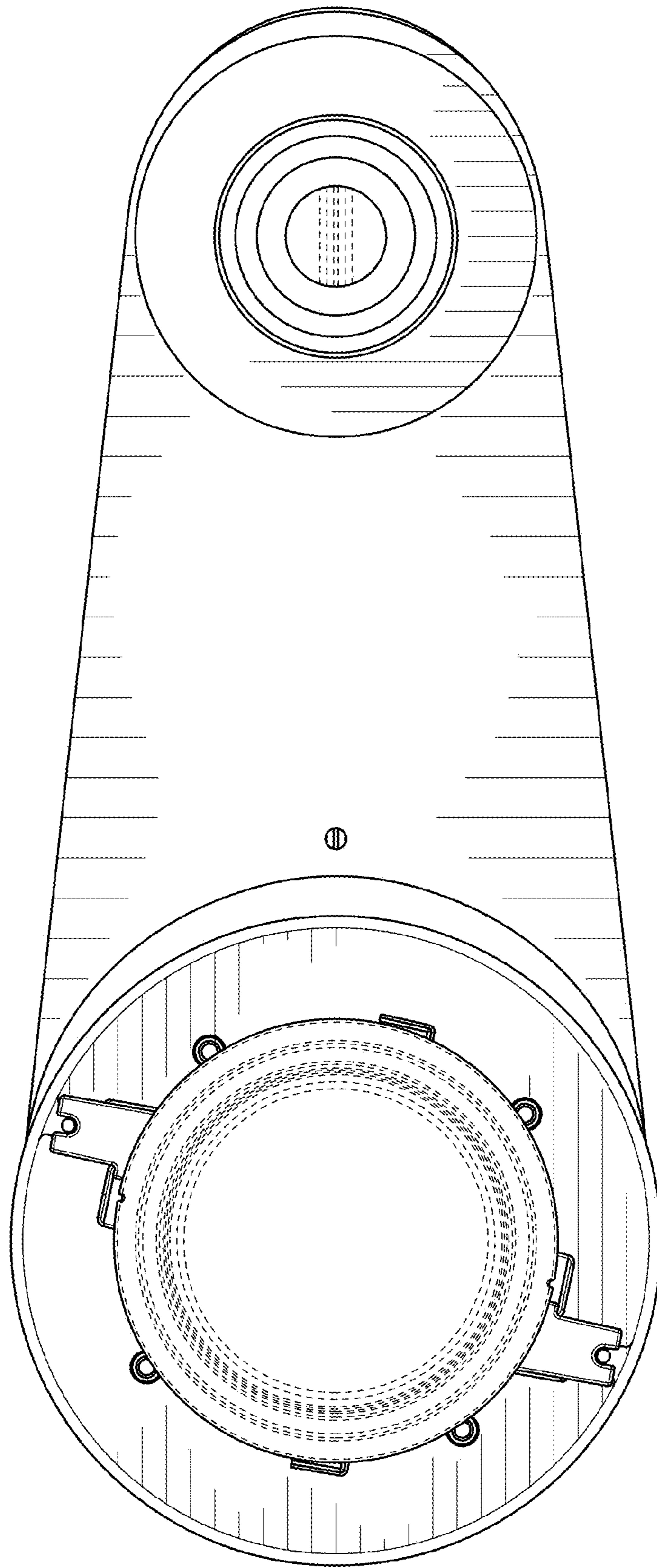


FIG. 7