



US00D876527S

(12) **United States Design Patent**
Lazar

(10) **Patent No.:** **US D876,527 S**

(45) **Date of Patent:** **** Feb. 25, 2020**

(54) **CAMERA MOUNTING SYSTEM**

(71) Applicant: **Readiness Systems, LLC**, Portland, OR
(US)

(72) Inventor: **Richard Allen Lazar**, Portland, OR
(US)

(73) Assignee: **Readiness Systems, LLC**, Portland, OR
(US)

(**) Term: **15 Years**

(21) Appl. No.: **29/644,123**

(22) Filed: **Apr. 14, 2018**

(51) **LOC (12) Cl.** **16-05**

(52) **U.S. Cl.**
USPC **D16/242**

(58) **Field of Classification Search**

USPC D16/219, 237-250; D14/224, 229, 238,
D14/251, 253; D8/354, 355, 363, 373,
D8/382-383, 394-396

CPC F16M 11/06-10; F16M 11/14; G02B
7/00-002; G03B 17/56; G03B
17/561-568; H04N 5/2253-2254; A45F
2200/0508-0533; A45F 5/00; A45F 5/10

See application file for complete search history.

(56) **References Cited**

U.S. PATENT DOCUMENTS

8,721,199 B1 * 5/2014 Hart F16M 11/045
396/428
D714,376 S * 9/2014 Chapman D16/242

9,103,487 B2 * 8/2015 Hale G03B 17/566
D775,116 S * 12/2016 Abrahams D14/253
9,924,005 B1 * 3/2018 McElderry H04M 1/04
D840,994 S * 2/2019 Balmer D14/253
10,228,608 B2 * 3/2019 Wood G03B 17/561
2010/0008661 A1 * 1/2010 Wood G03B 17/561
396/428
2014/0299013 A1 * 10/2014 Hall B61B 13/00
104/307
2016/0216596 A1 * 7/2016 Hart G03B 17/561

* cited by examiner

Primary Examiner — Vy N Koenig

(74) *Attorney, Agent, or Firm* — Berkeley Law &
Technology Group, LLP

(57) **CLAIM**

The ornamental design for a camera mounting system, as shown and described.

DESCRIPTION

FIG. 1 is a front perspective view of a camera mounting system showing my new design;

FIG. 2 is a front elevational view of FIG. 1;

FIG. 3 is a rear elevational view of FIG. 1;

FIG. 4 is a right side view of FIG. 1;

FIG. 5 is a left side view of FIG. 1;

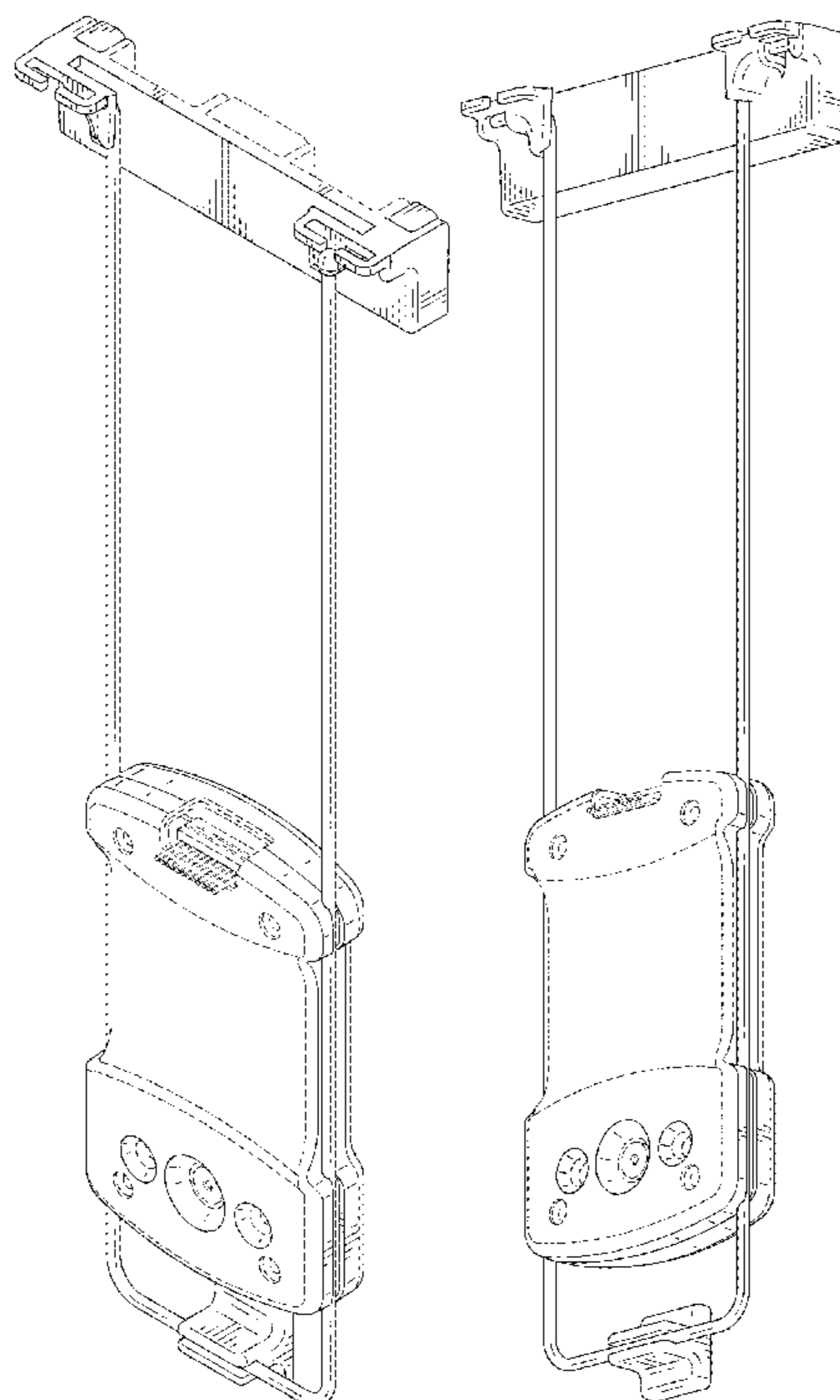
FIG. 6 is a top plan view of FIG. 1;

FIG. 7 is a bottom plan view of FIG. 1; and,

FIG. 8 is a bottom perspective view of FIG. 1.

The broken lines immediately adjacent the shaded areas, if any, represent the bounds of the claimed design while all other broken lines are directed to environment; the broken lines form no part of the claimed design.

1 Claim, 6 Drawing Sheets



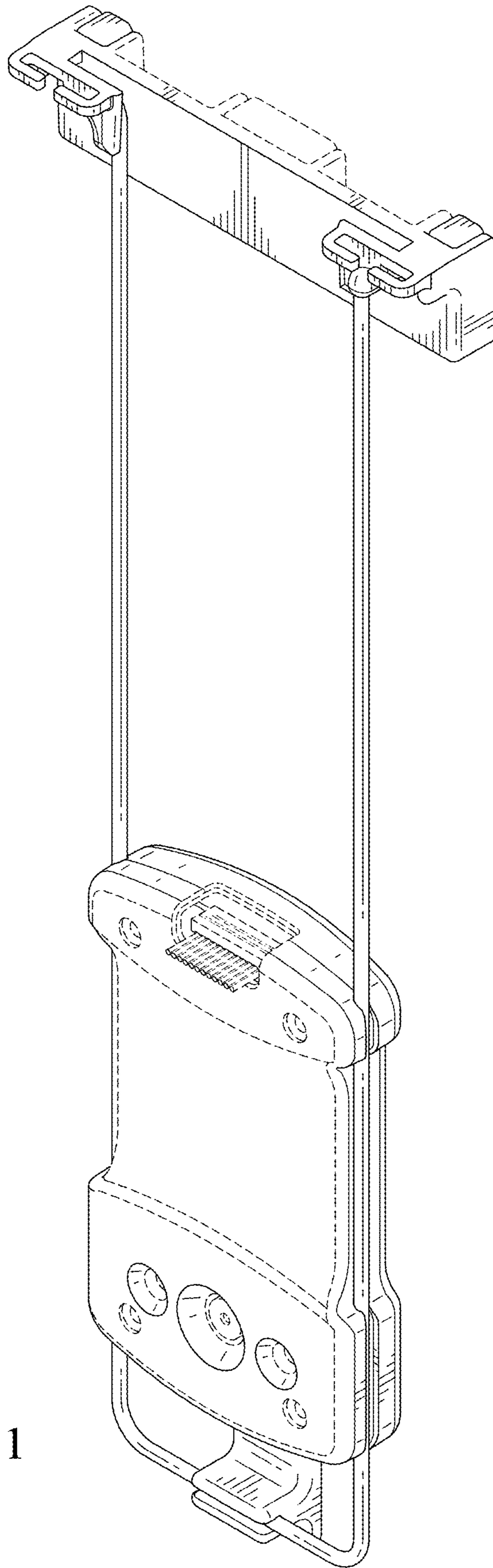


FIG. 1

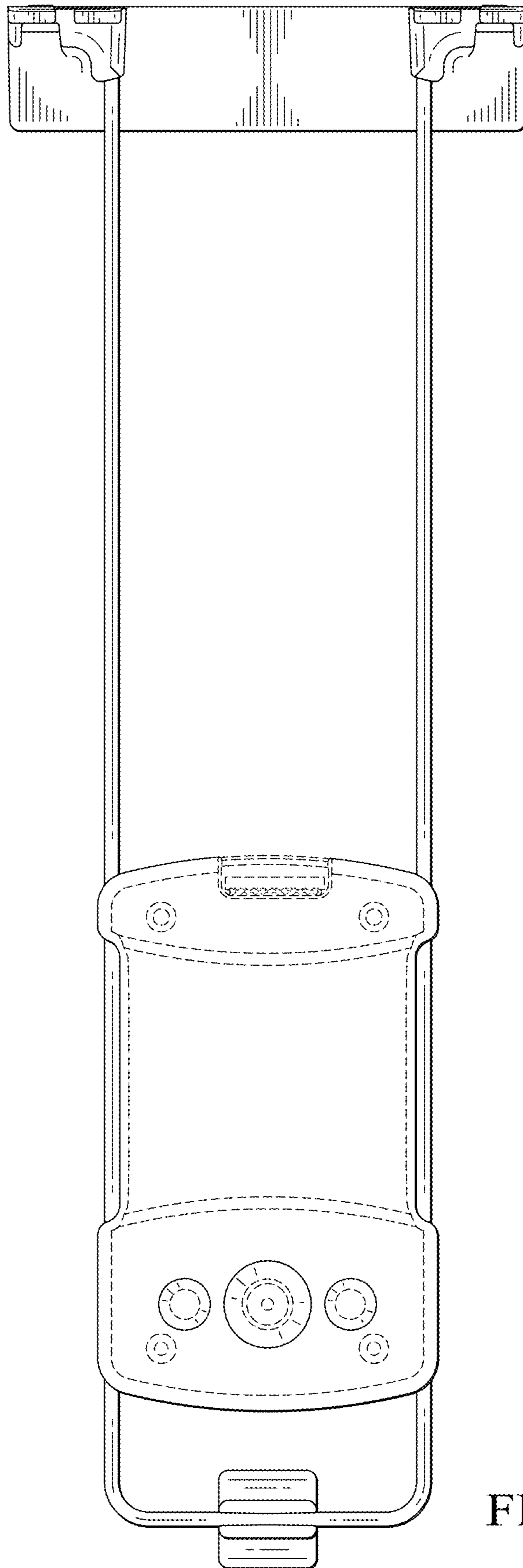


FIG. 2

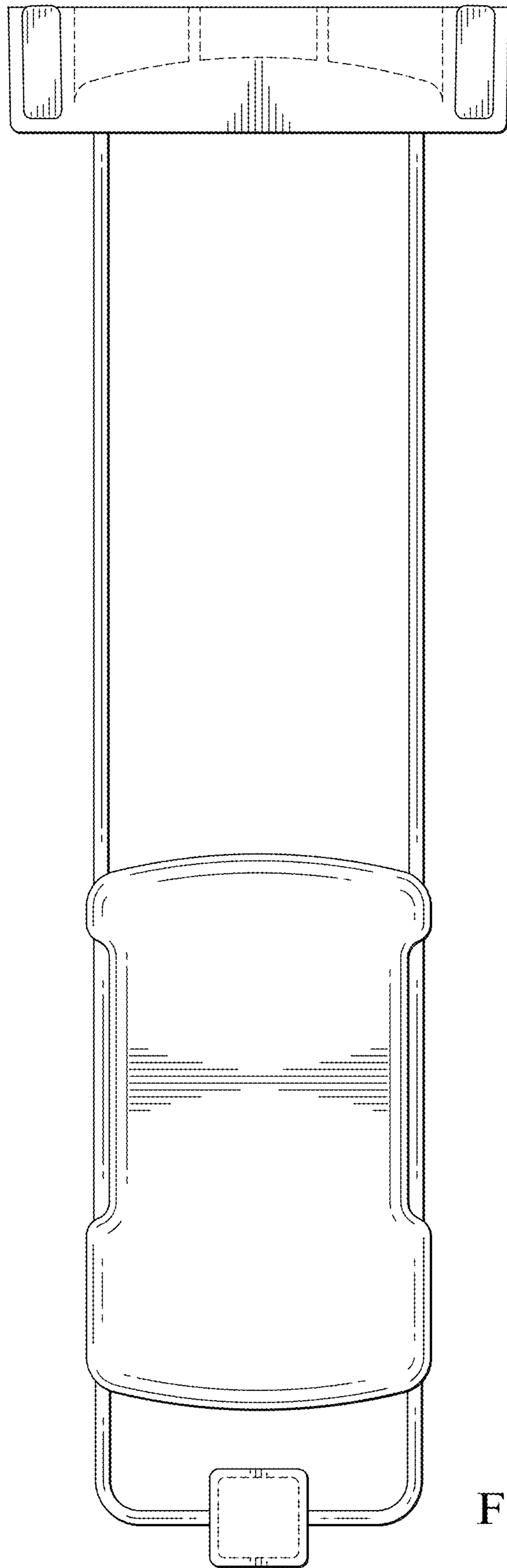


FIG. 3

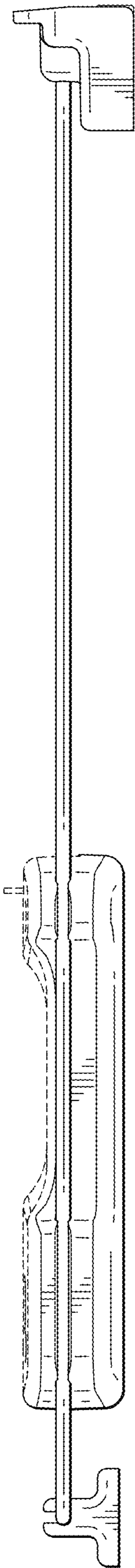


FIG. 4

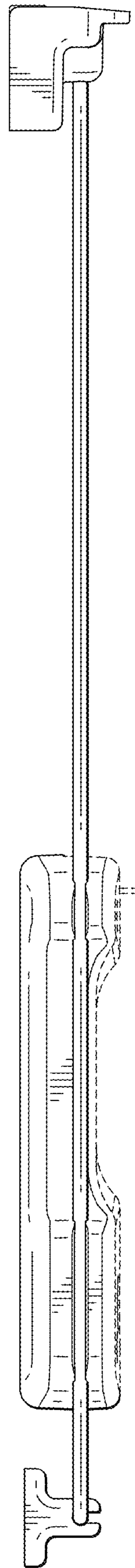


FIG. 5

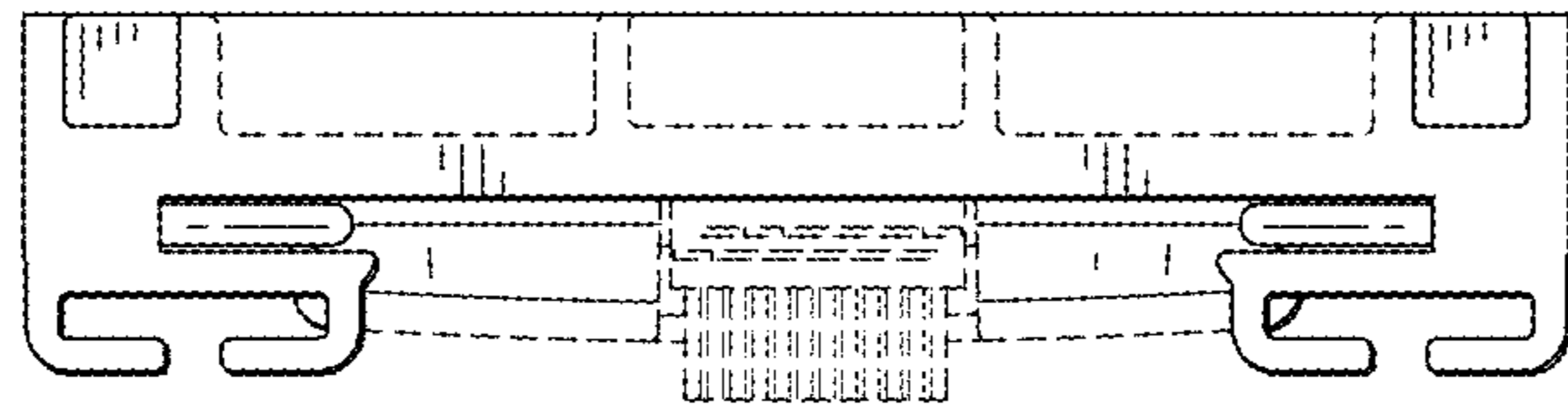


FIG. 6

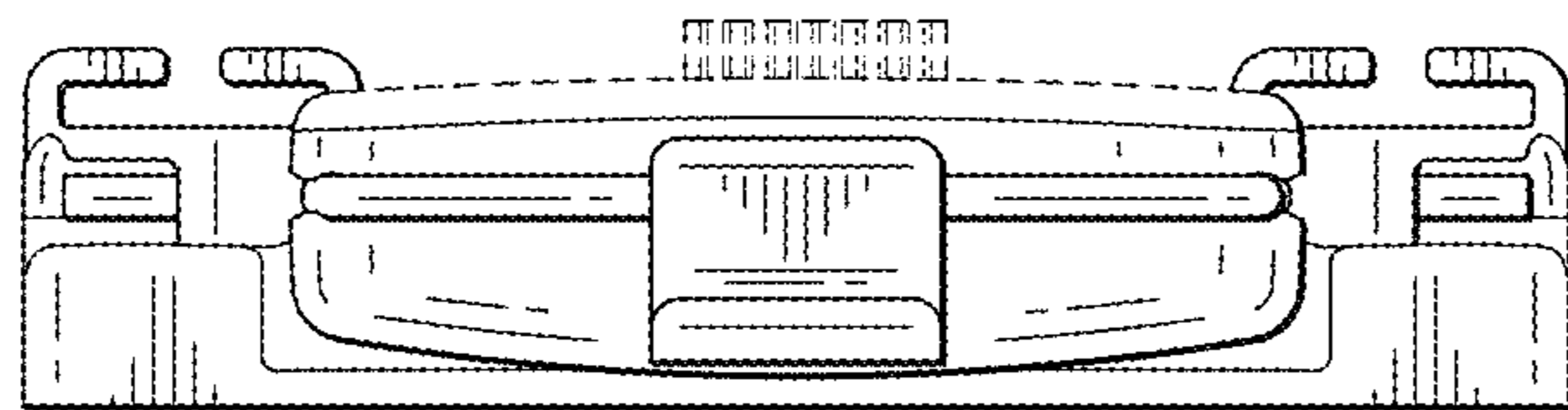


FIG. 7

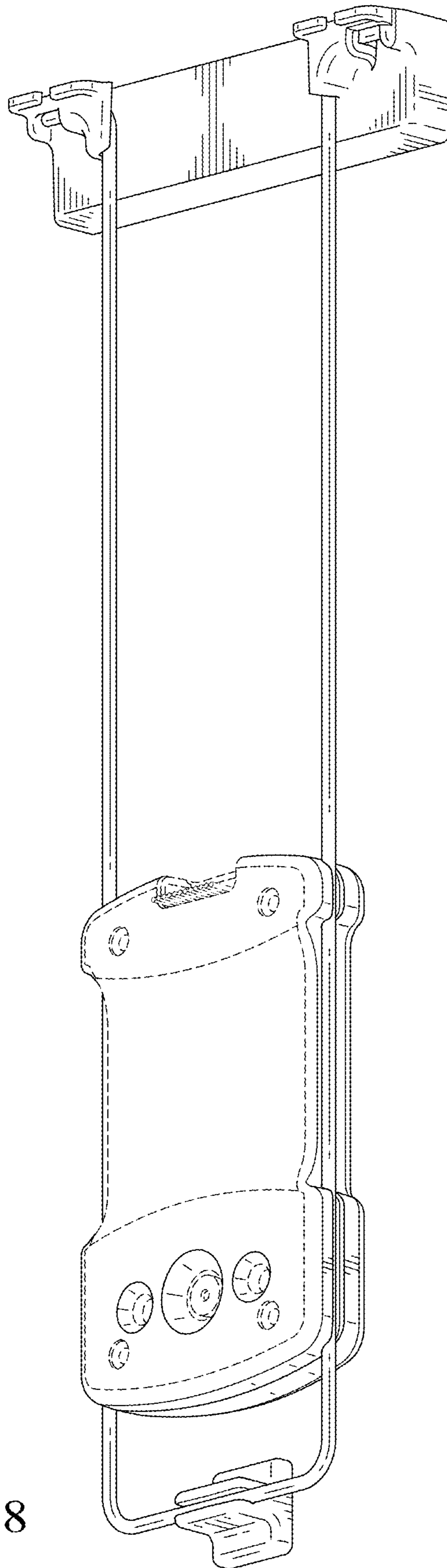


FIG. 8