



US00D876525S

(12) **United States Design Patent** (10) **Patent No.:** **US D876,525 S**
Sun et al. (45) **Date of Patent:** **** Feb. 25, 2020**

(54) **DEVICE OF CLEARING SENSOR
AUTOMATICALLY**

(56) **References Cited**

U.S. PATENT DOCUMENTS

(71) Applicant: **TuSimple**, San Diego, CA (US)
(72) Inventors: **Jie Sun**, Beijing (CN); **Xiaoping Gu**,
Beijing (CN)
(73) Assignee: **TuSimple, Inc.**, San Diego, CA (US)

8,567,963 B1 10/2013 Criscuolo
9,417,122 B2 8/2016 Adam
9,901,961 B2 * 2/2018 Yunfeng B08B 3/04
2002/0139394 A1 10/2002 Bronson
2017/0192226 A1 7/2017 Eineren
2017/0239693 A1 8/2017 Nabavi

(**) Term: **15 Years**

* cited by examiner

(21) Appl. No.: **29/657,576**

Primary Examiner — Antoine Duval Davis
(74) *Attorney, Agent, or Firm* — Jim H. Salter; Inventive
Law Inc.

(22) Filed: **Jul. 24, 2018**

(57) **CLAIM**

(30) **Foreign Application Priority Data**

The ornamental design for a device of clearing sensor
automatically, as shown and described.

Jan. 25, 2018 (CN) 2018 3 0036824

DESCRIPTION

(51) **LOC (12) Cl.** **16-05**

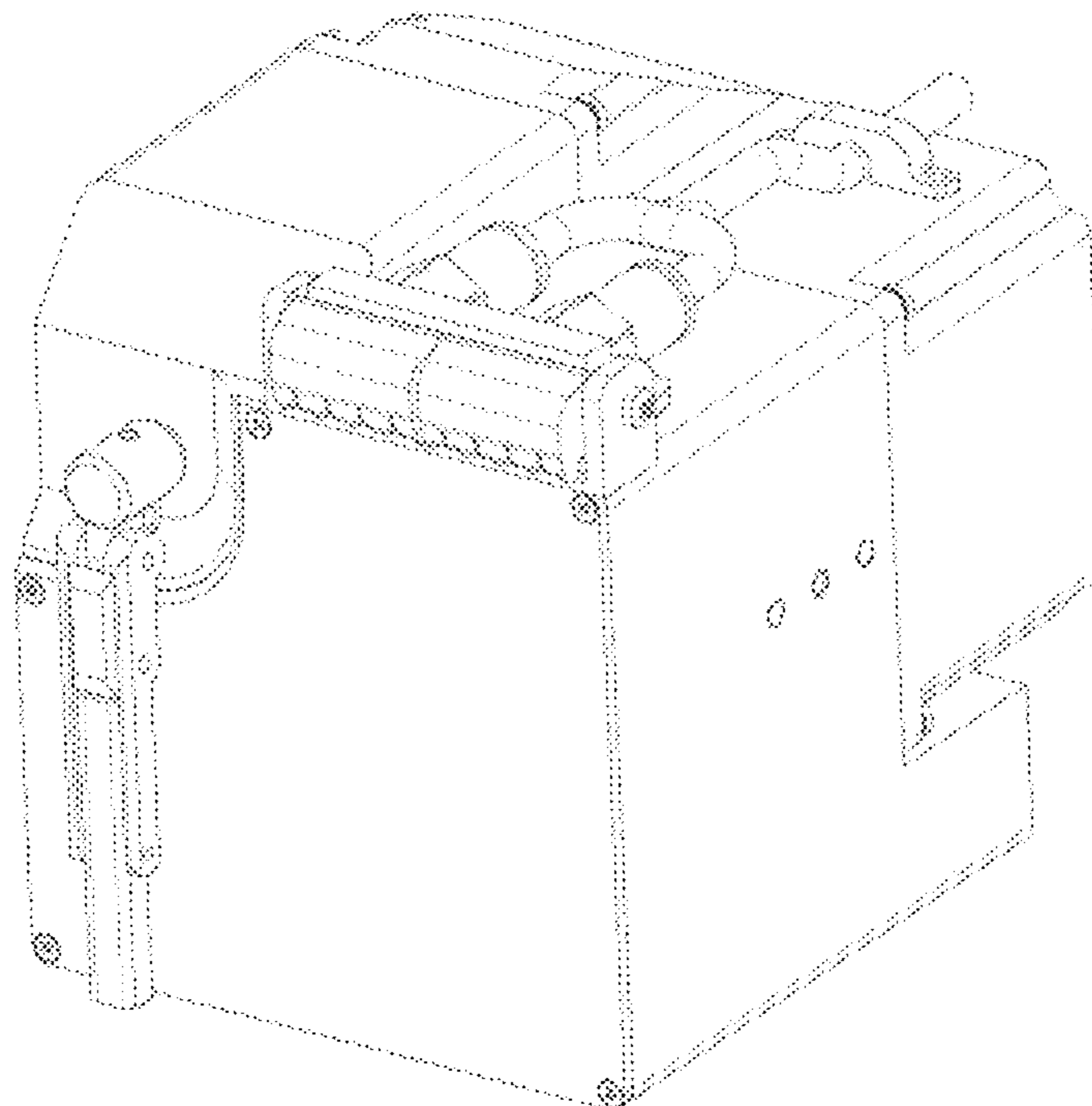
(52) **U.S. Cl.**
USPC **D16/237**; D16/130

(58) **Field of Classification Search**
USPC D10/46; D16/130, 219, 237; D32/1, 15
CPC B08B 1/006; B08B 17/02; B08B 3/04;
B08B 17/00; B08B 1/005; B08B 1/02;
B08B 1/04; G02B 27/0006; G02B 1/18;
G01N 21/15; G01N 21/85; G01N
21/8806; G01N 21/9009; G01N 21/00;
G01J 1/0252; G01J 1/0411; A61B
1/00057; G03B 17/56; G03B 17/568;
G03B 17/02; G03B 17/08; G03B
2217/002; H04N 5/33; H04N 5/2252;
H04N 5/2251; H04N 5/2171; G08B
13/19619; G08B 13/19617

A portion of the disclosure of this patent document contains
material to which a claim for copyright is made. The
copyright owner has no objection to the facsimile reproduc-
tion by anyone of the patent document or the patent disclo-
sure, as it appears in the Patent and Trademark Office patent
file or records, but reserves all other copyrights whatsoever.
FIG. 1 is a front elevational view of a device of clearing
sensor automatically showing our new design;
FIG. 2 is a front plan view thereof;
FIG. 3 is a bottom plan view thereof;
FIG. 4 is a top plan view thereof;
FIG. 5 is a right-side plan view thereof;
FIG. 6 is a rear plan view thereof; and,
FIG. 7 is a left-side plan view thereof.

See application file for complete search history.

1 Claim, 7 Drawing Sheets



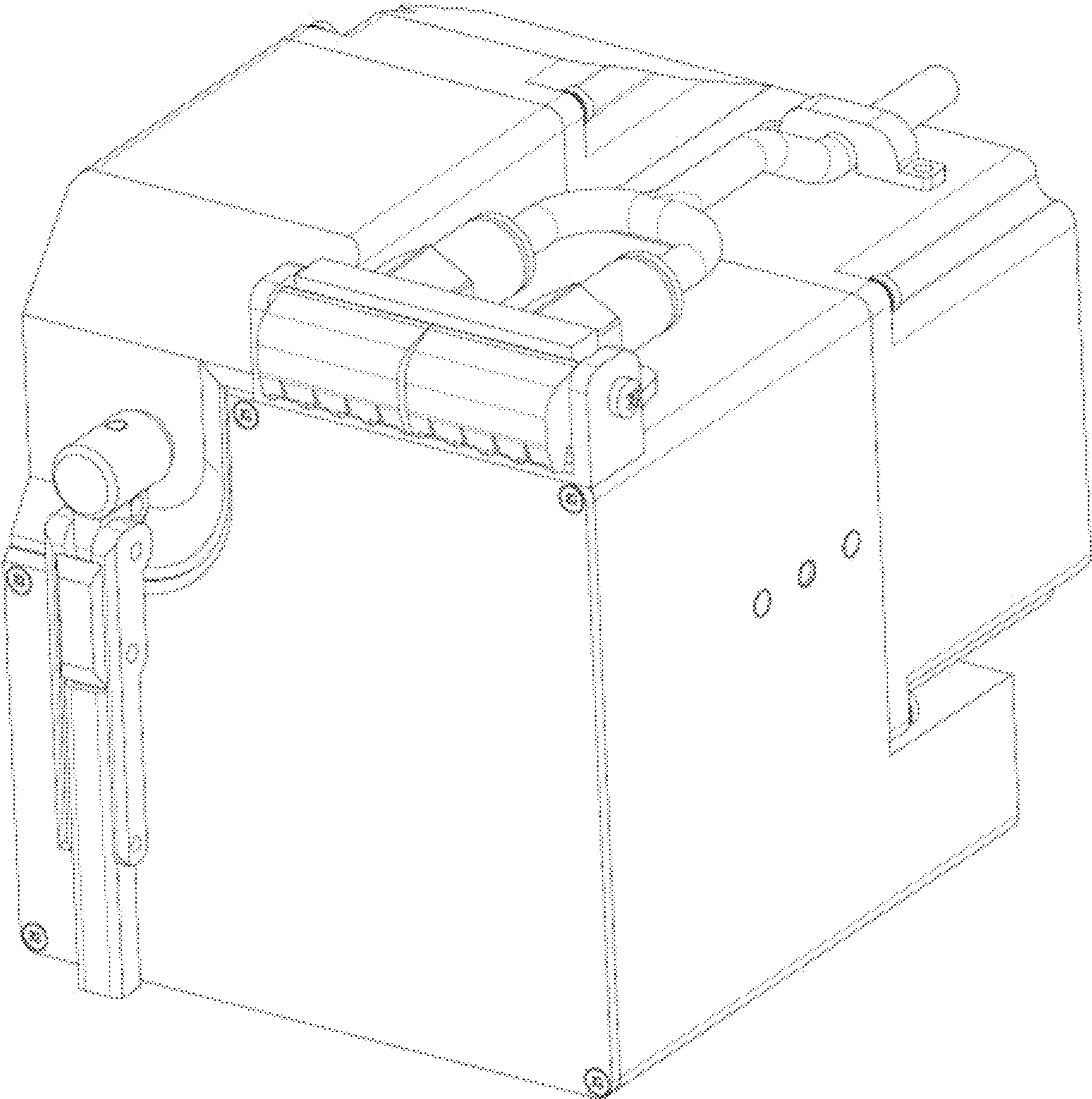


FIG. 1

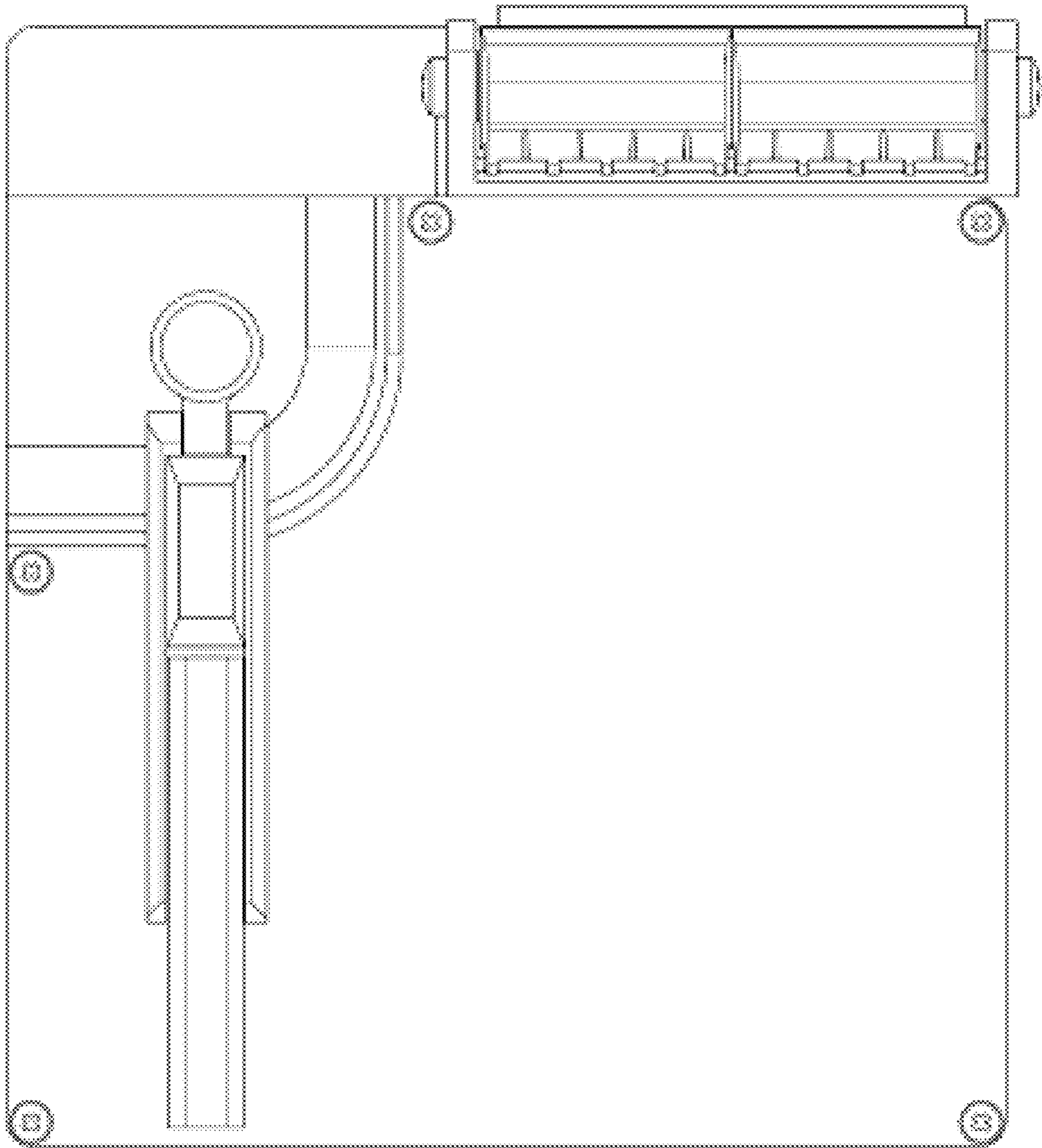


FIG. 2

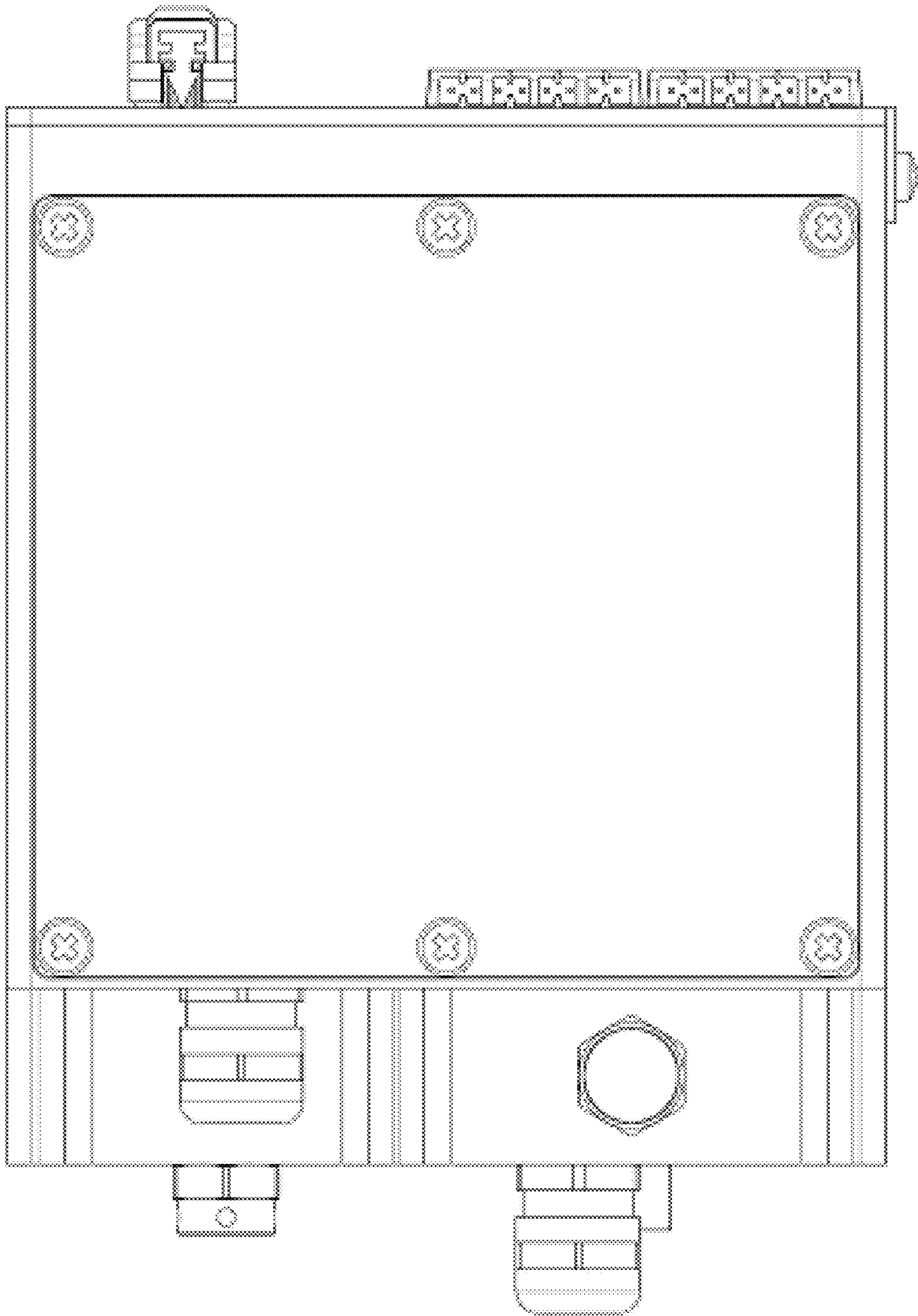


FIG. 3

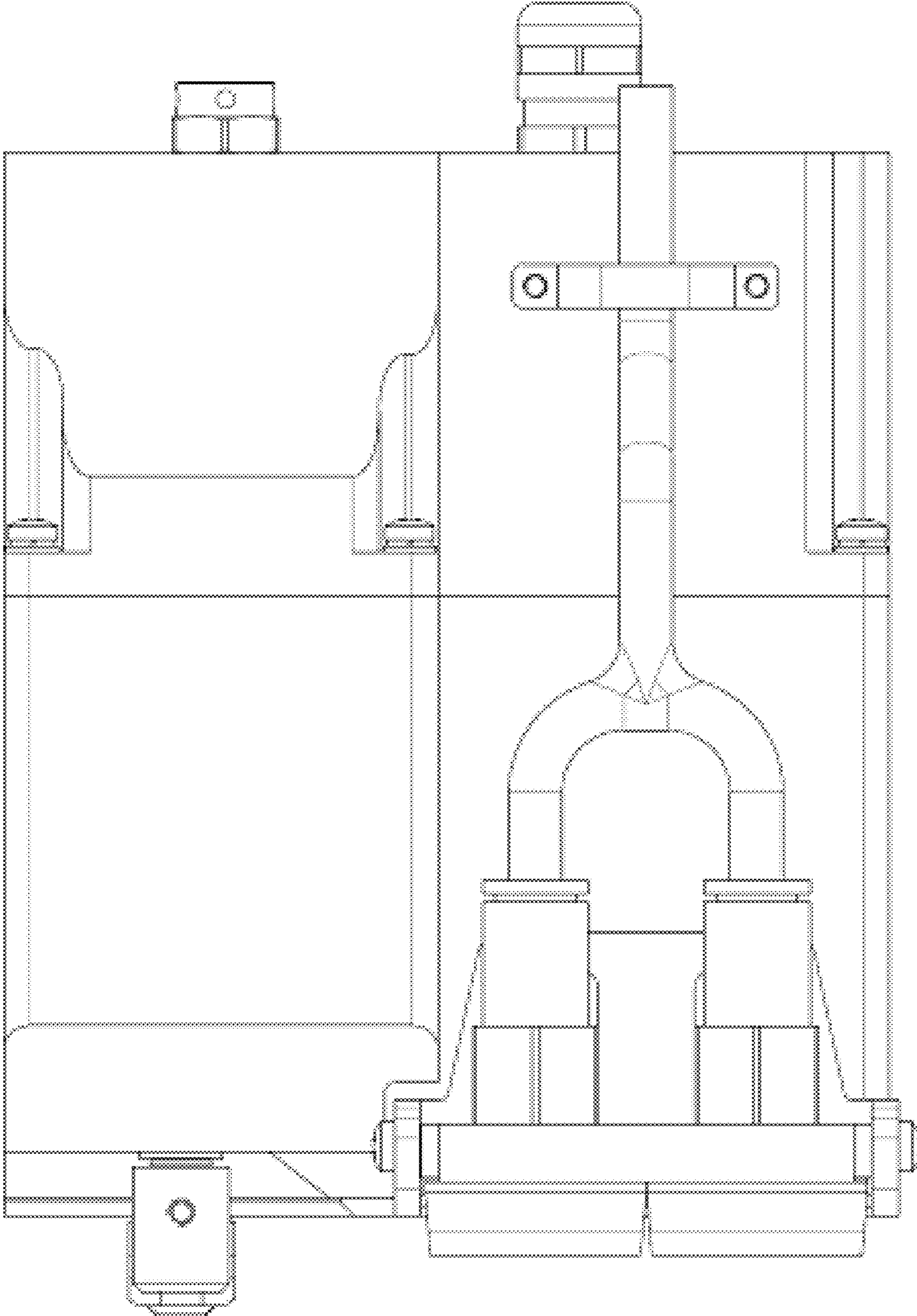


FIG. 4

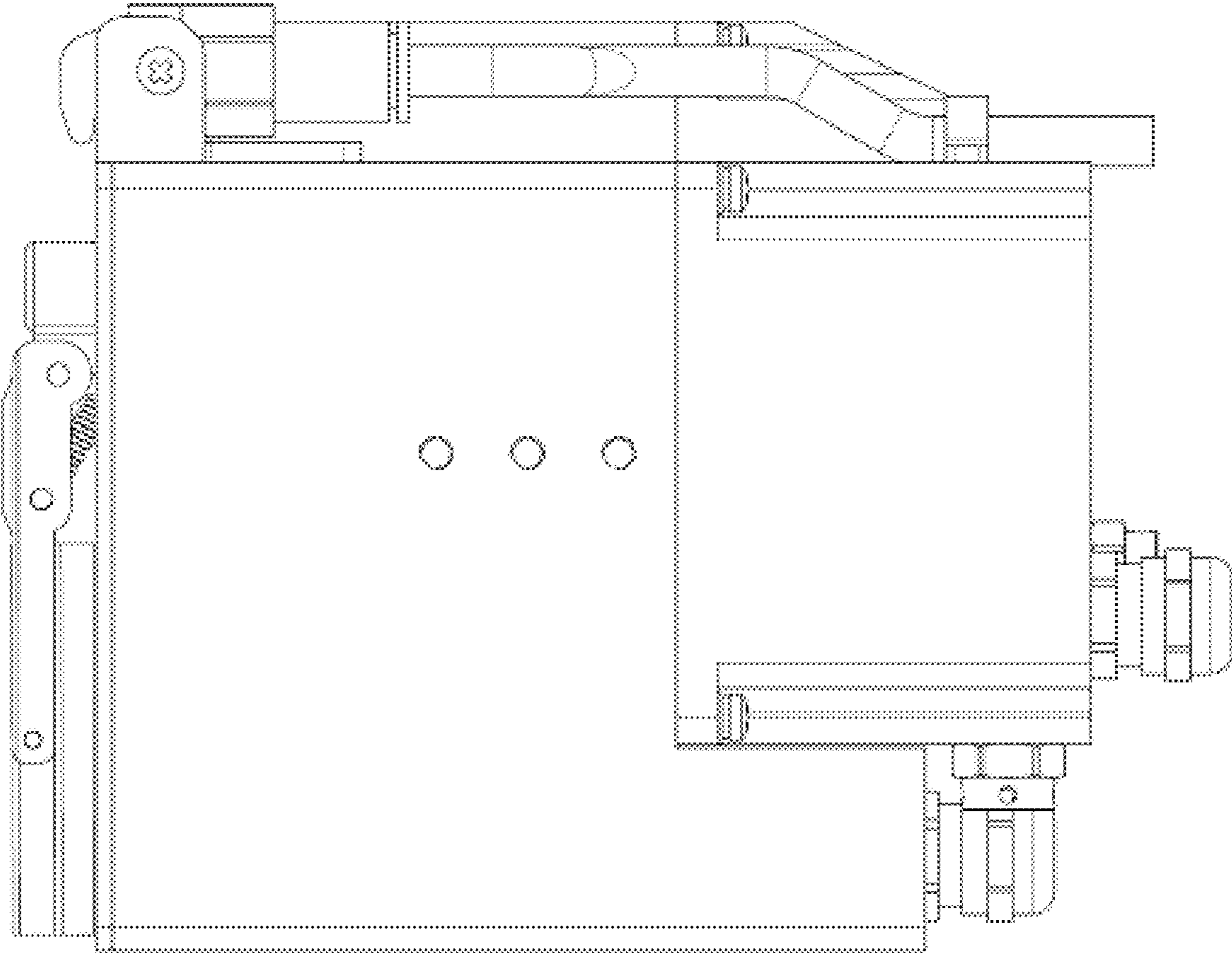


FIG. 5

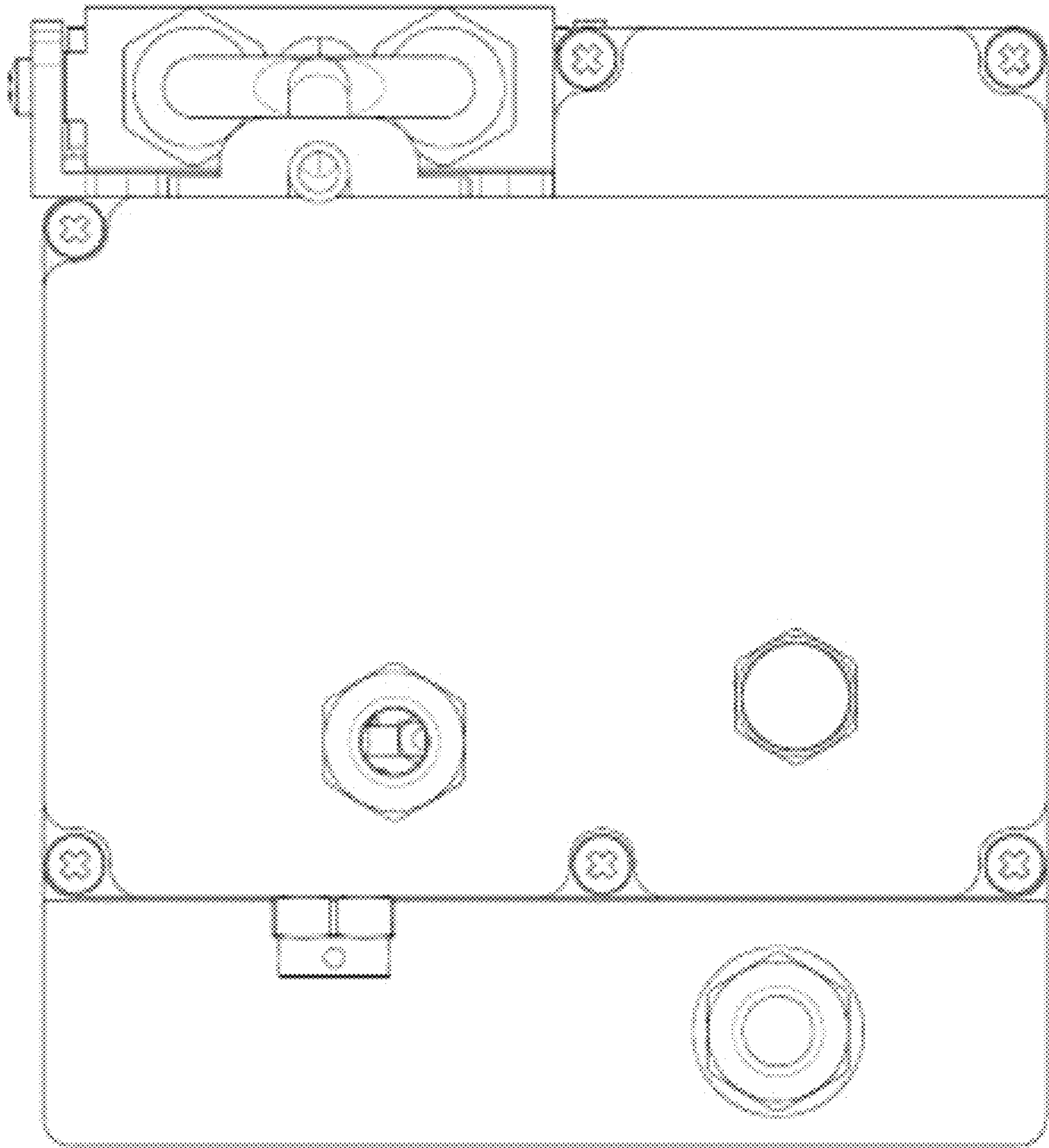


FIG. 6

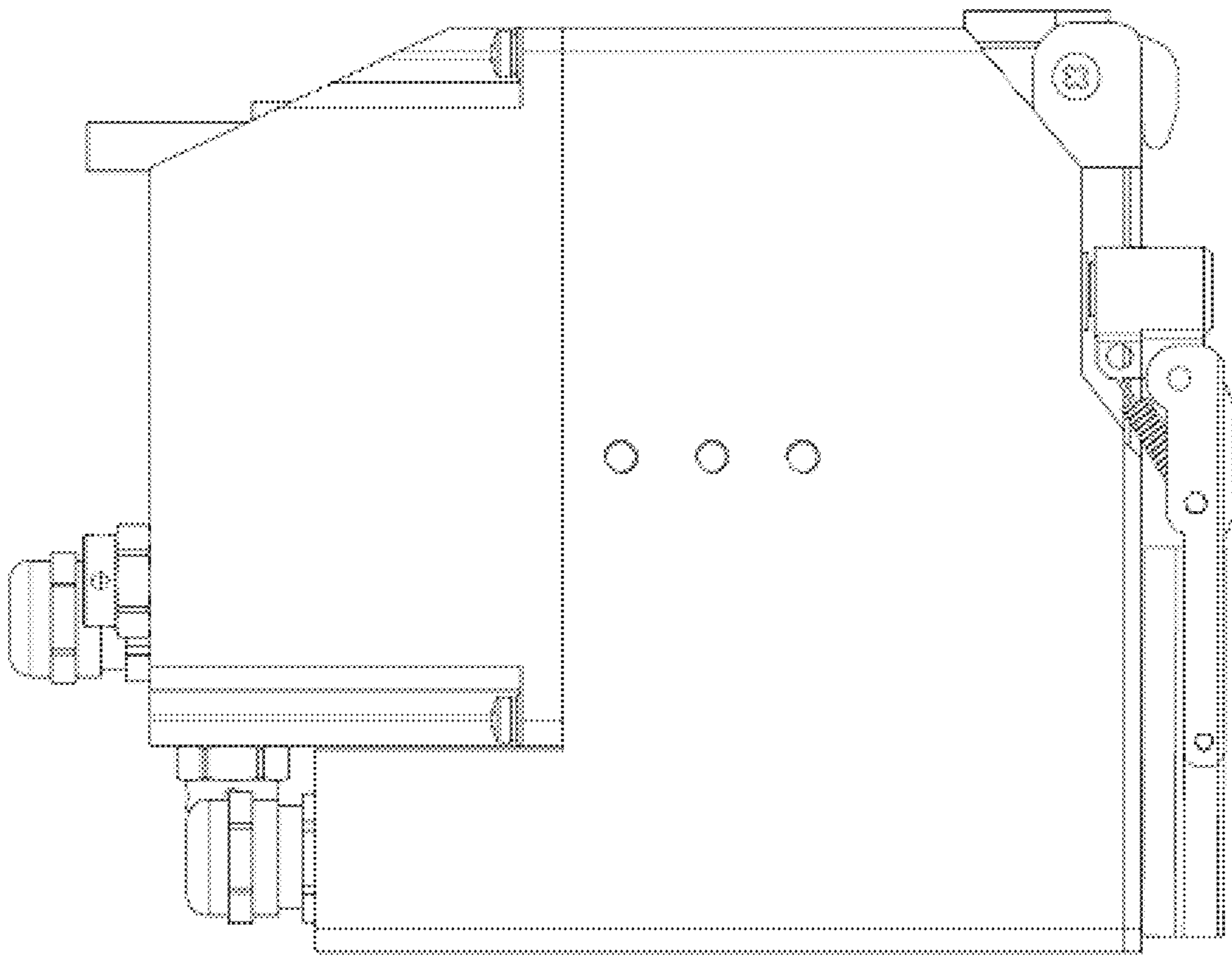


FIG. 7