



US00D876524S

(12) **United States Design Patent** (10) **Patent No.:** **US D876,524 S**
Yoshimura (45) **Date of Patent:** **** Feb. 25, 2020**

(54) **VIDEO PROJECTOR**

FOREIGN PATENT DOCUMENTS

- (71) Applicant: **JVC KENWOOD Corporation**,
Yokohama-shi, Kanagawa (JP)
- (72) Inventor: **Satoshi Yoshimura**, Yokohama (JP)
- (73) Assignee: **JVC KENWOOD Corporation**,
Yokohama-shi (JP)

CN	304066366	*	9/2016
CN	305109916	*	11/2018
CN	305182697	*	11/2018
JP	D1567359	*	8/2016

- (**) Term: **15 Years**
- (21) Appl. No.: **29/670,796**
- (22) Filed: **Nov. 20, 2018**

OTHER PUBLICATIONS

Seeger, Dylan, "JVC DLA-RS2000 Projector Reviewed," Mar. 18, 2019. Retrieved on Oct. 16, 2019. Retrieved from the Internet: <https://hometheaterreview.com>.*

* cited by examiner

Primary Examiner — Wan Laymon

(74) *Attorney, Agent, or Firm* — Amin, Turocy & Watson, LLP

(30) **Foreign Application Priority Data**

May 24, 2018 (JP) 2018-011350

- (51) **LOC (12) Cl.** **16-02**
- (52) **U.S. Cl.**
USPC **D16/230**

(57) **CLAIM**

The ornamental design for a video projector, as shown and described.

- (58) **Field of Classification Search**
USPC D16/221, 225, 230–231; D21/514;
363/115, 119
CPC G03B 21/145; G03B 21/14; G03B 21/00;
G03B 21/001; G03B 21/003; G03B
21/12; G03B 21/16
See application file for complete search history.

DESCRIPTION

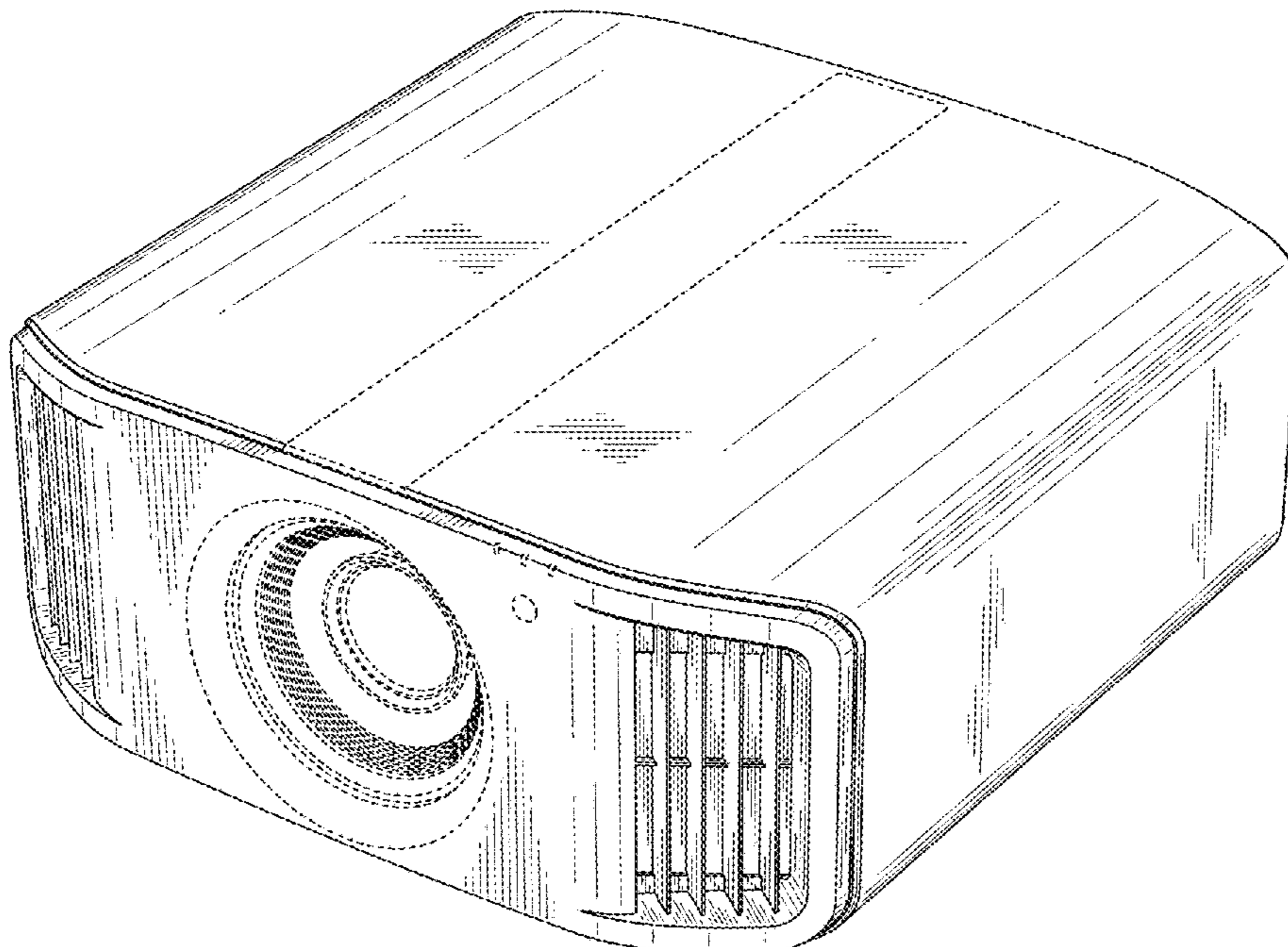
FIG. 1 is a front perspective view of a video projector showing my new design;
FIG. 2 is a rear perspective view thereof;
FIG. 3 is a front elevational view thereof;
FIG. 4 is a rear elevational view thereof;
FIG. 5 is a top plan view thereof;
FIG. 6 is a bottom plan view thereof;
FIG. 7 is a right-side elevational view thereof; and,
FIG. 8 is a left-side elevational view thereof.
The broken lines of the drawings represent portions of the video projector that are not part of the claimed design.

(56) **References Cited**

U.S. PATENT DOCUMENTS

D548,263	S	*	8/2007	Nakanishi	D16/221
D596,656	S	*	7/2009	Nakanishi	D16/225
7,850,309	B2	*	12/2010	Hirouchi	G03B 21/145 353/52
D655,329	S	*	3/2012	Nakanishi	D16/225
D806,776	S	*	1/2018	Yoshimura	D16/230

1 Claim, 8 Drawing Sheets



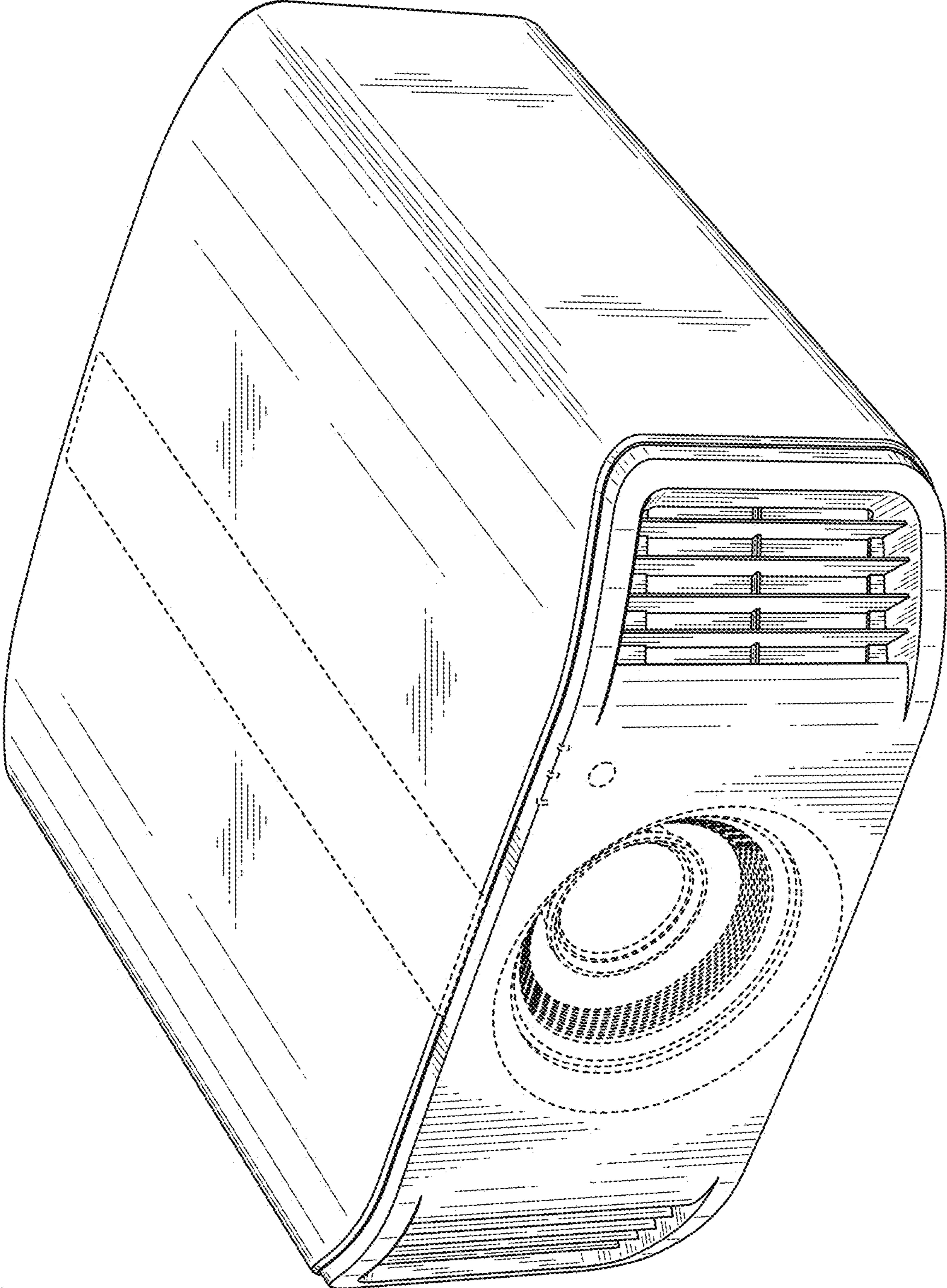


FIG. 1

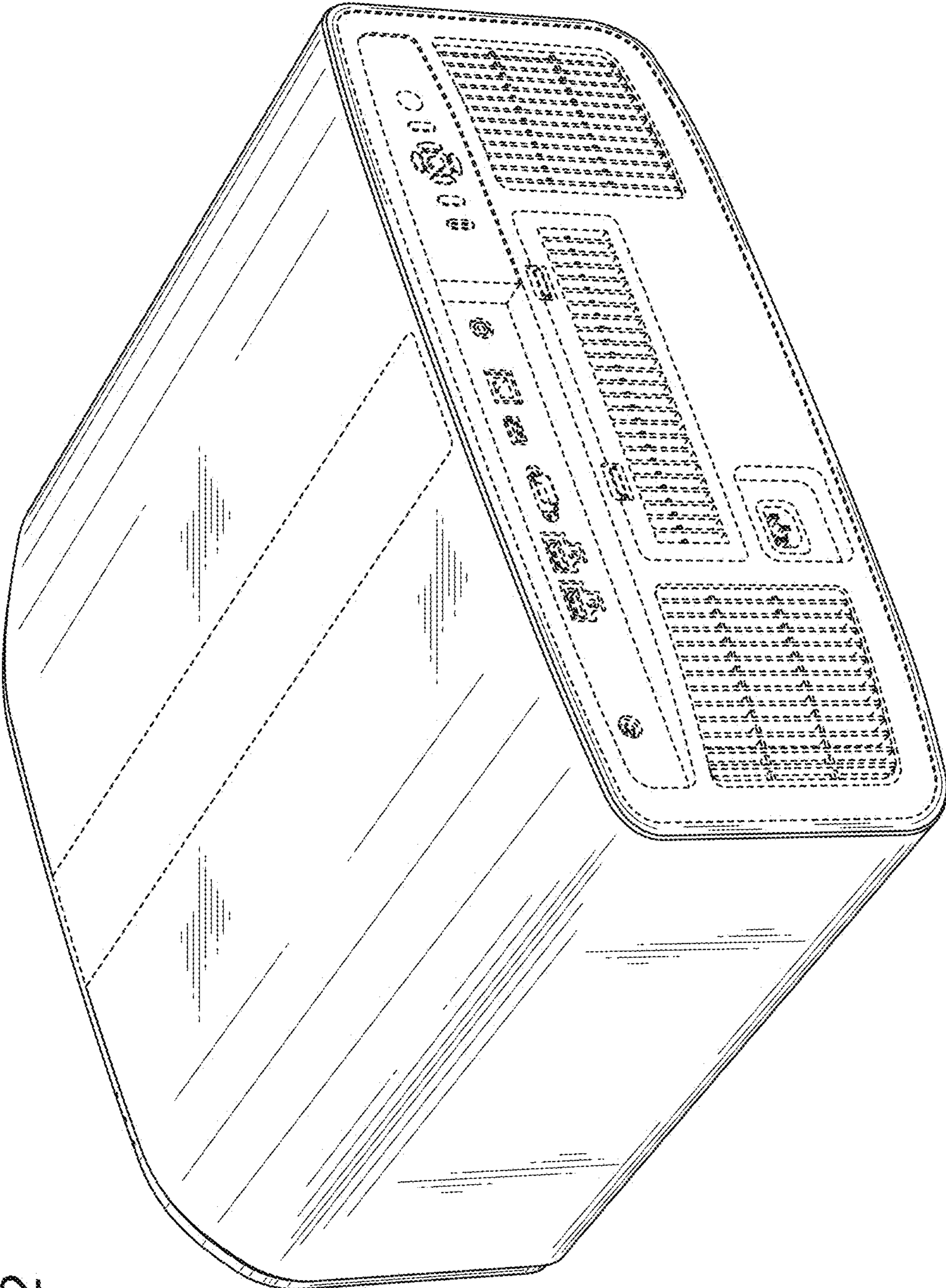


FIG. 2

FIG. 3

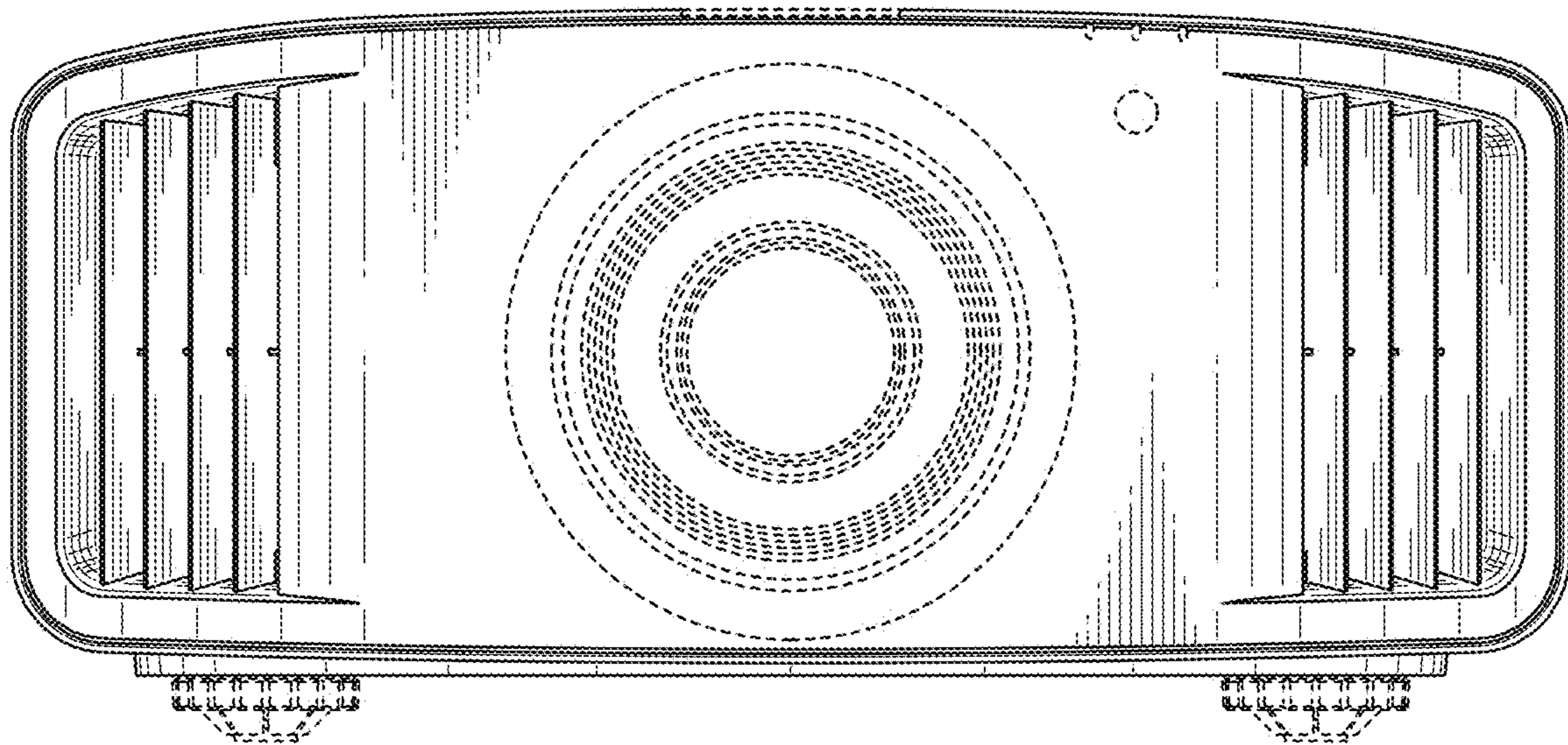


FIG. 4

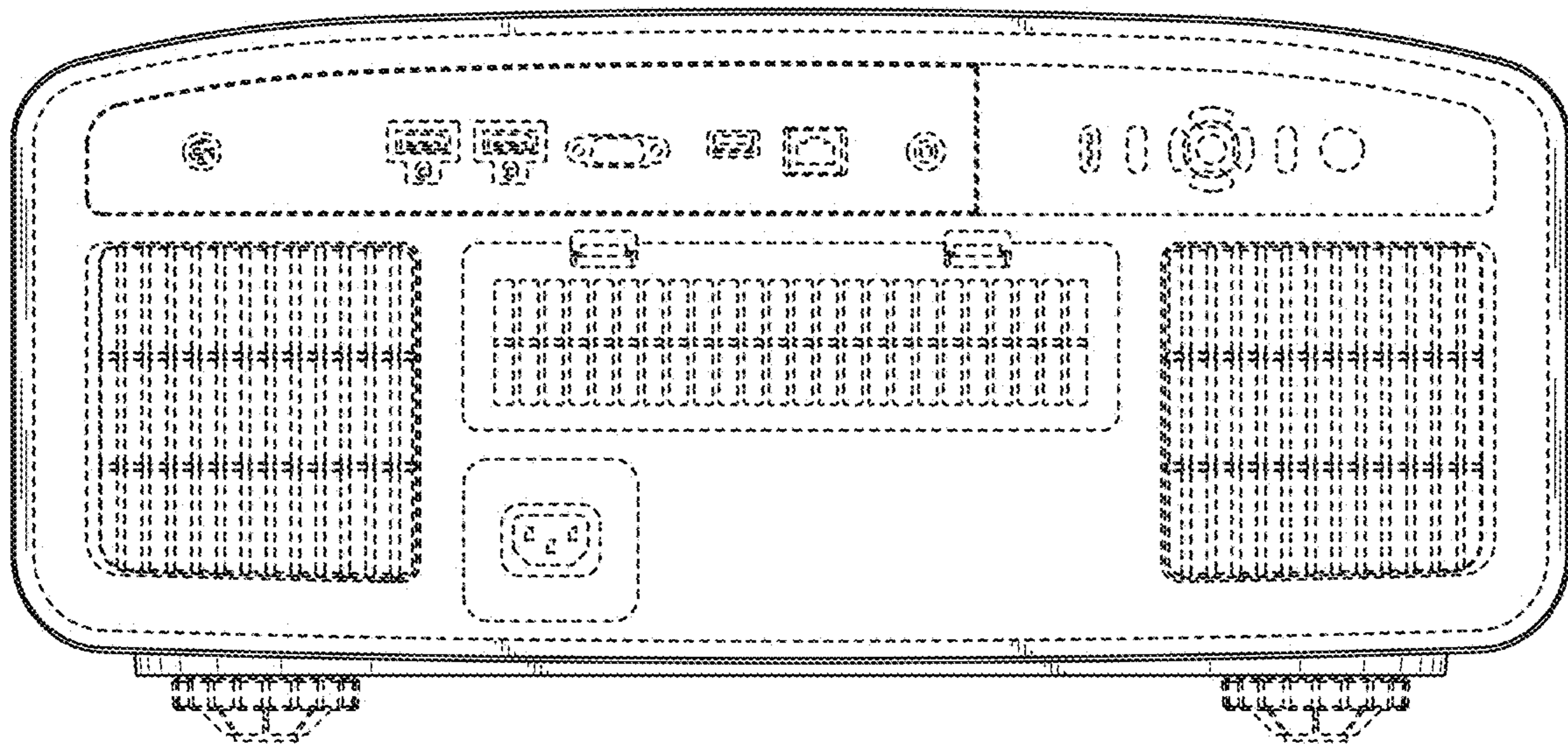


FIG. 5

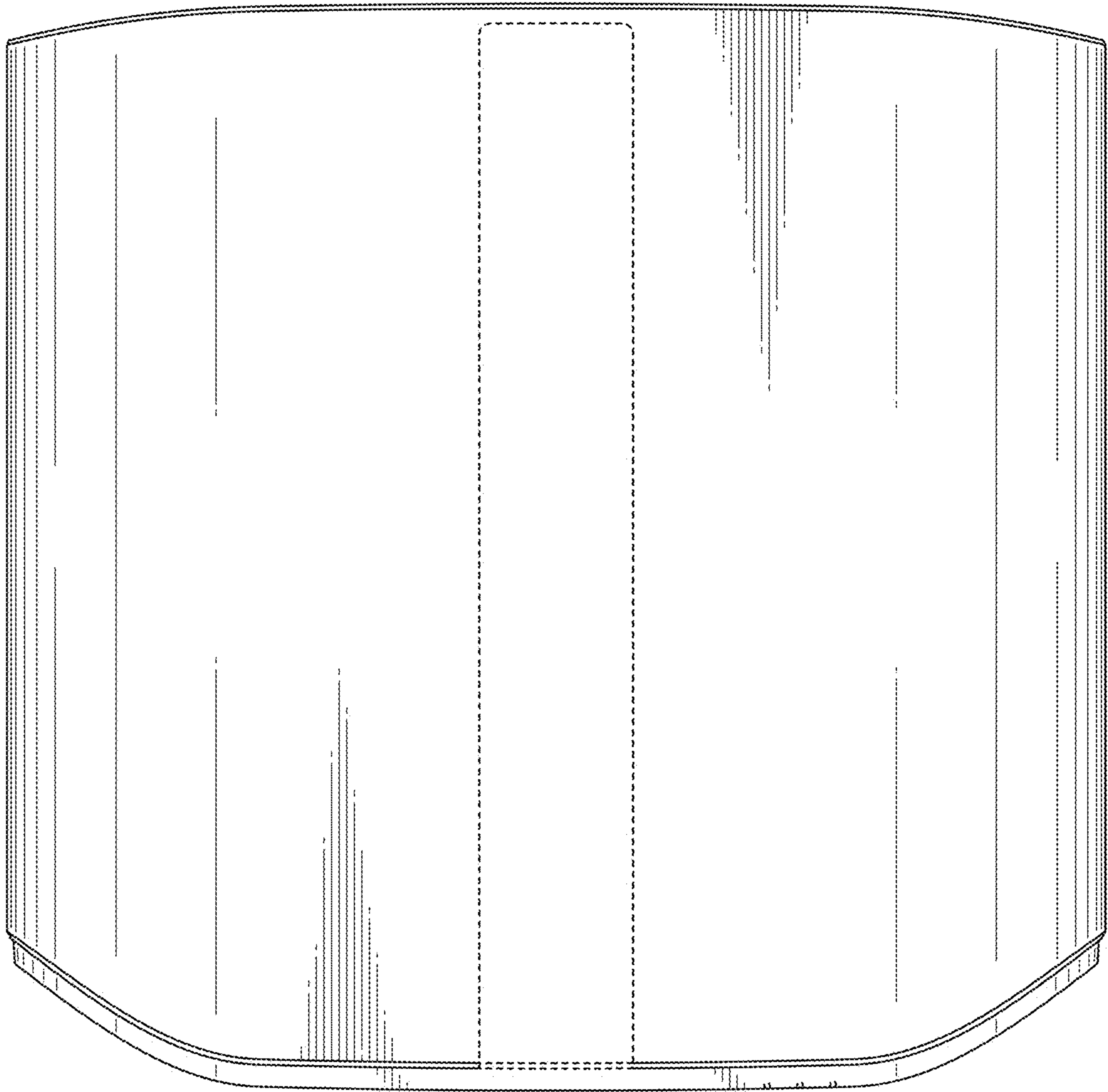


FIG. 6

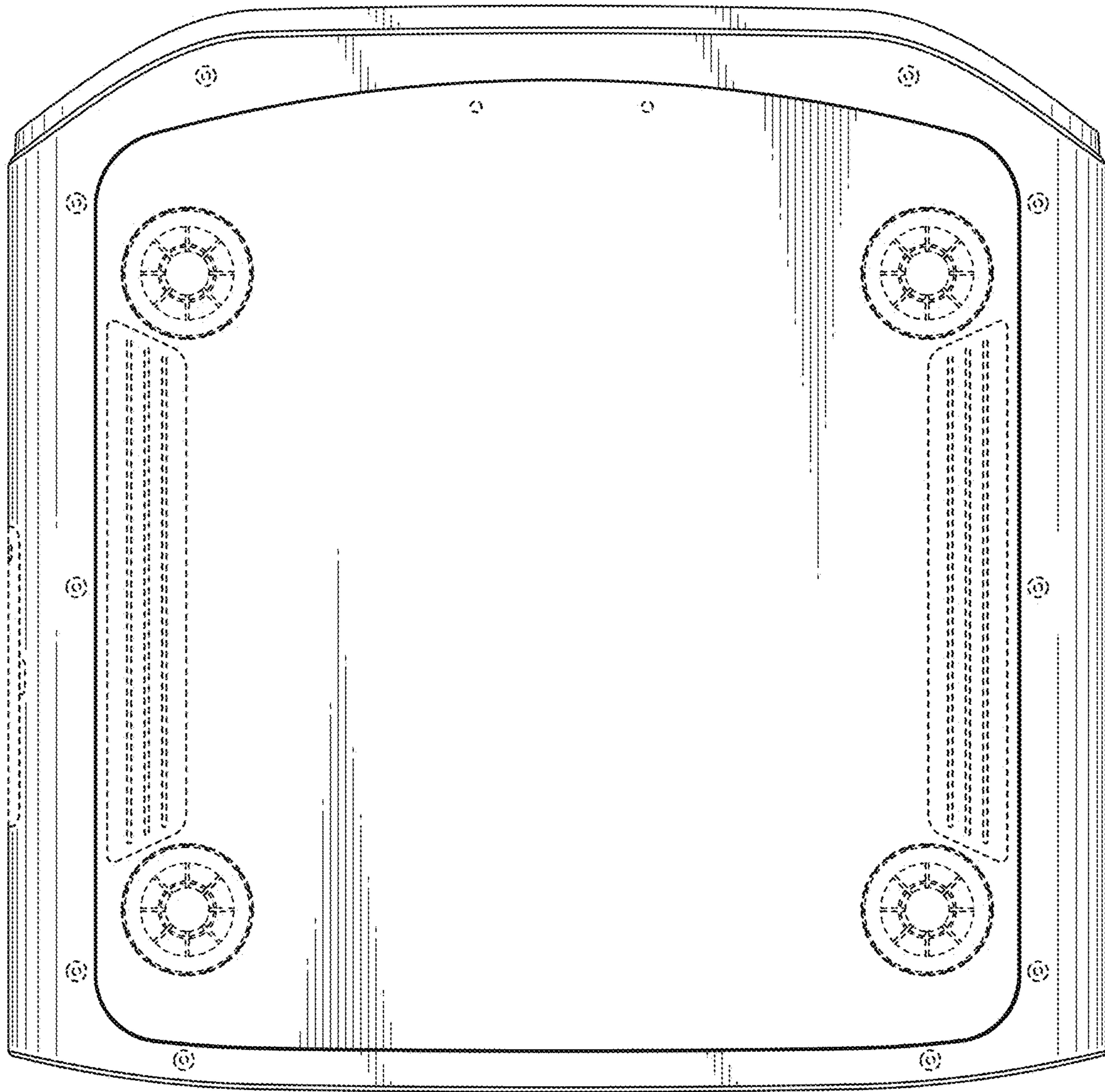


FIG. 7

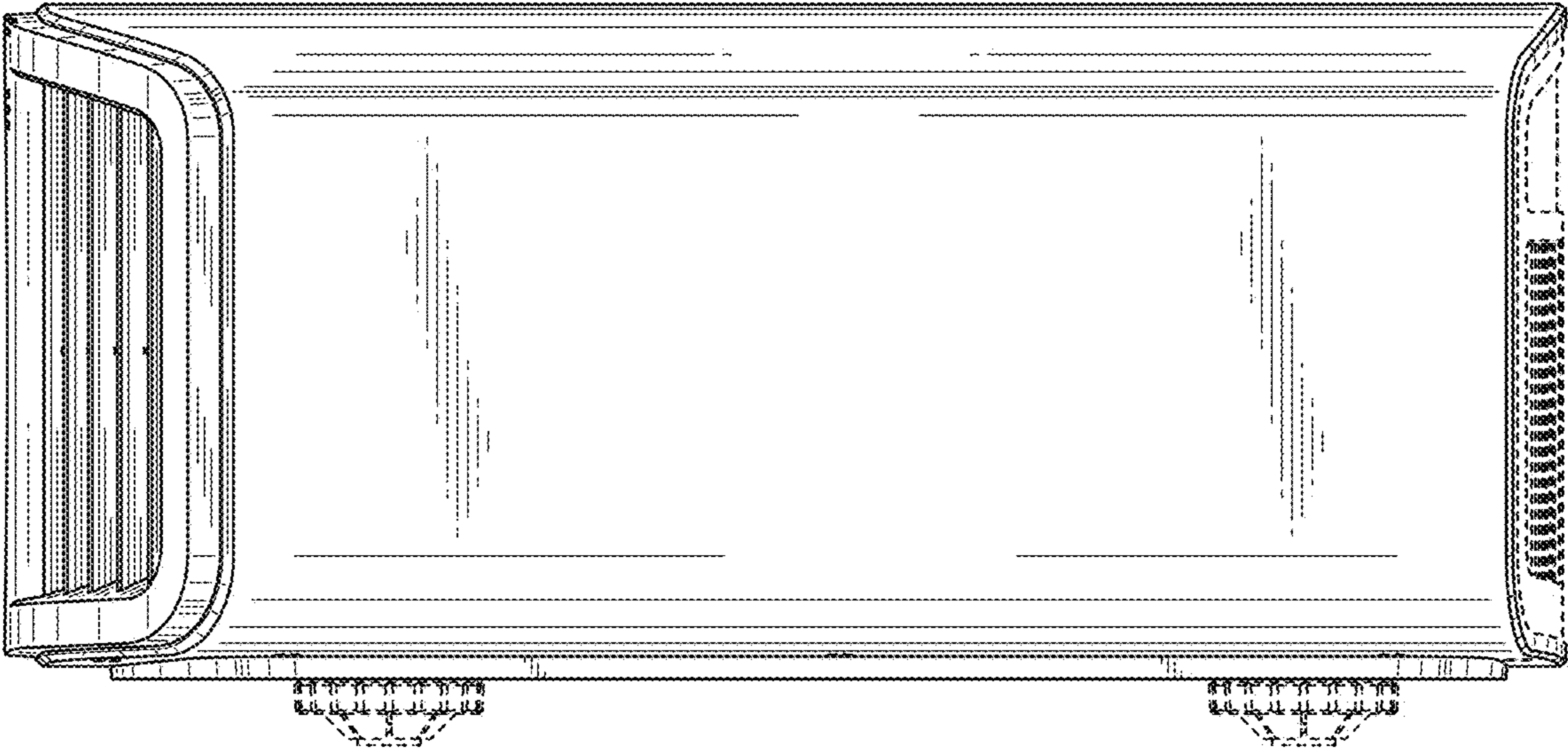


FIG. 8

