



US00D876523S

(12) **United States Design Patent** (10) **Patent No.:** **US D876,523 S**
Walter et al. (45) **Date of Patent:** **** Feb. 25, 2020**

(54) **CAMERA**

(56) **References Cited**

(71) Applicant: **Axis AB**, Lund (SE)

U.S. PATENT DOCUMENTS

(72) Inventors: **Mathias Walter**, Lund (SE); **Morgan Johansson**, Lund (SE); **Jonna Lagerblad**, Lund (SE); **Keyloth Perez**, Lund (SE); **Peter Betmark**, Lund (SE)

D791,849 S	*	7/2017	Zhang	D16/203
D796,567 S	*	9/2017	Bingleman	D16/203
D796,568 S	*	9/2017	Bingleman	D16/203
D798,934 S	*	10/2017	Wu	D16/203
D815,173 S	*	4/2018	Hikima	D16/203
D824,985 S	*	8/2018	Teachworth	D16/203
D856,397 S	*	8/2019	Ahman	D16/219
D861,058 S	*	9/2019	Christensson	D16/203
D866,636 S	*	11/2019	Walter	D16/203
D867,424 S	*	11/2019	Helaoui	D16/203

(73) Assignee: **AXIS AB**, Lund (SE)

(**) Term: **15 Years**

FOREIGN PATENT DOCUMENTS

(21) Appl. No.: **29/714,513**

(22) Filed: **Nov. 23, 2019**

EM	002877035	11/2015
EM	003514991	12/2016
EM	003833409	3/2017

* cited by examiner

Related U.S. Application Data

(62) Division of application No. 29/665,098, filed on Sep. 30, 2018.

Primary Examiner — Ramzi S Almatrahi

(74) *Attorney, Agent, or Firm* — Tucker Ellis LLP

(30) **Foreign Application Priority Data**

Apr. 13, 2018 (EM) 005233400-0001
Apr. 13, 2018 (EM) 005233400-0002

(57) **CLAIM**

The ornamental design for a camera, as shown and described.

(51) **LOC (12) Cl.** **16-05**

(52) **U.S. Cl.**
USPC **D16/219**

DESCRIPTION

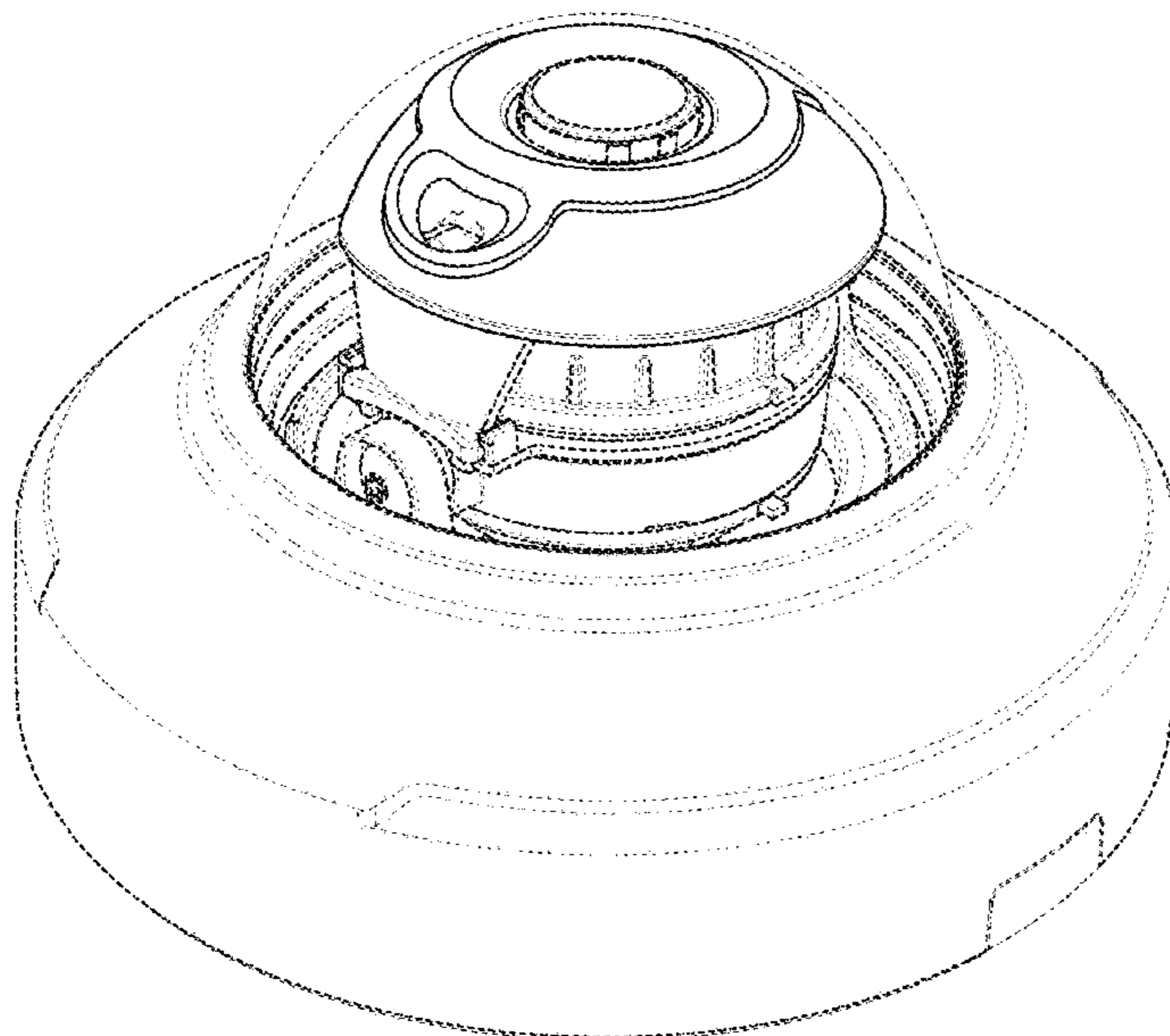
(58) **Field of Classification Search**
USPC D16/200, 202–208, 218, 219, 242;
348/143, 148, 151, 373–376; 396/419,
396/427, 535, 539–541; 248/176.1, 187.1
CPC G03B 17/02; G03B 19/04; G03B 17/56;
G03B 17/04; G03B 15/03; H04N 5/2251;
H04N 5/2252; H04N 5/2253; H04N
5/2254; H04N 7/181; H04N 7/183; H04N
7/18

FIG. 1 is a top, front and right side perspective view of a camera showing our new design;
FIG. 2 is a front view thereof;
FIG. 3 is a rear view thereof;
FIG. 4 is a right side view thereof;
FIG. 5 is a left side view thereof;
FIG. 6 is a top view thereof; and,
FIG. 7 is a bottom view thereof.

The broken lines are for the purpose of illustrating portions of the camera that form no part of the claimed design.

See application file for complete search history.

1 Claim, 5 Drawing Sheets



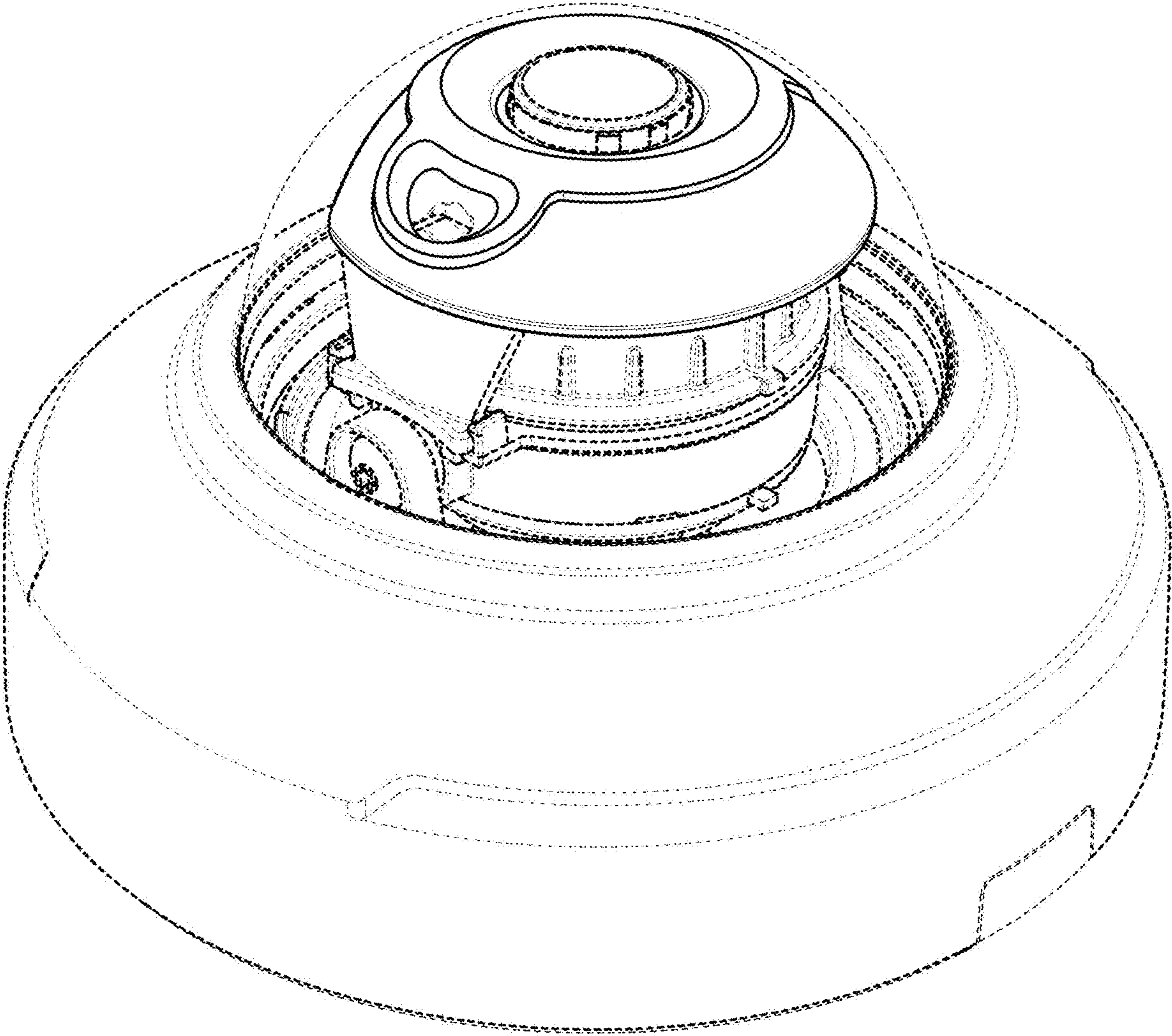


FIG. 1

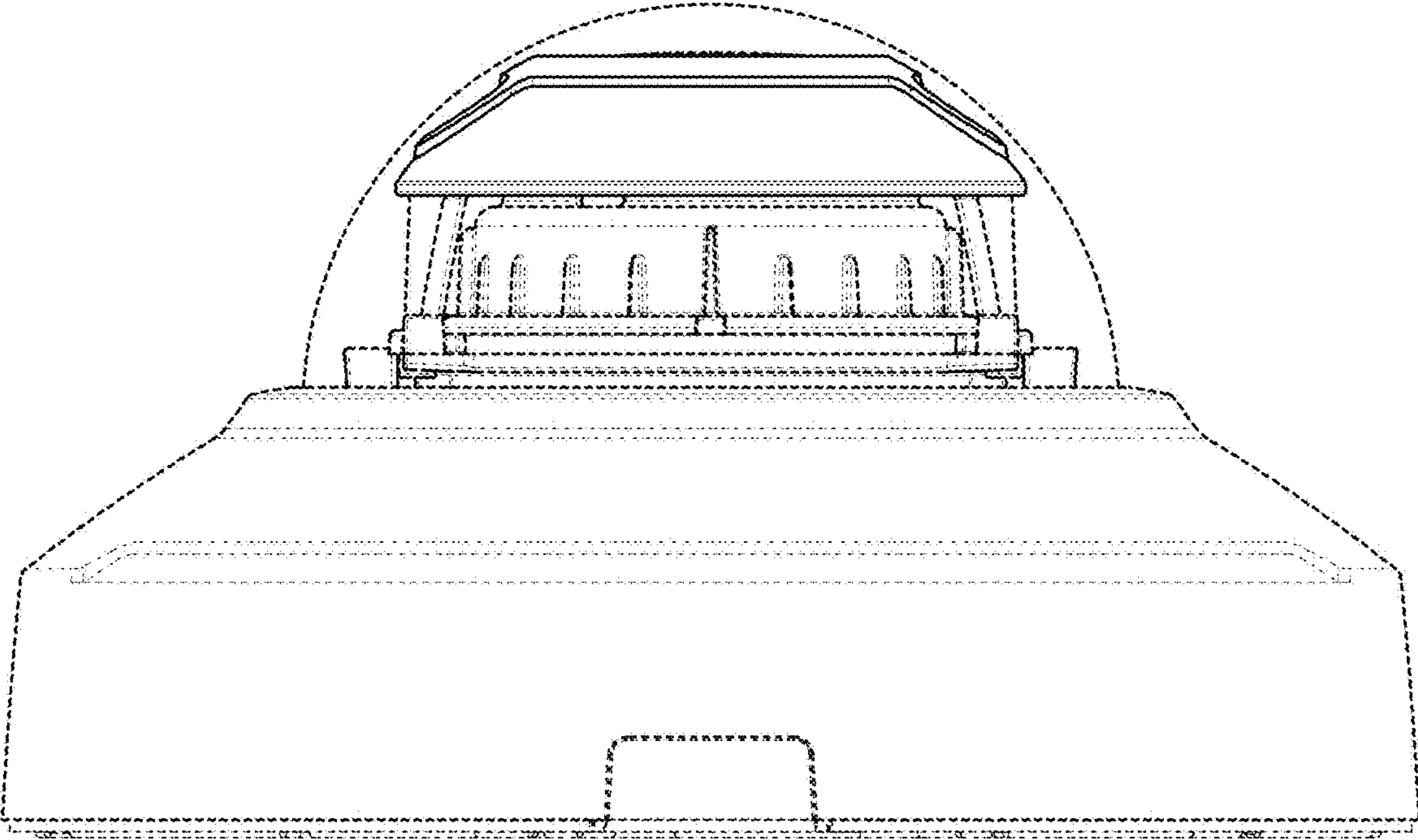


FIG. 2

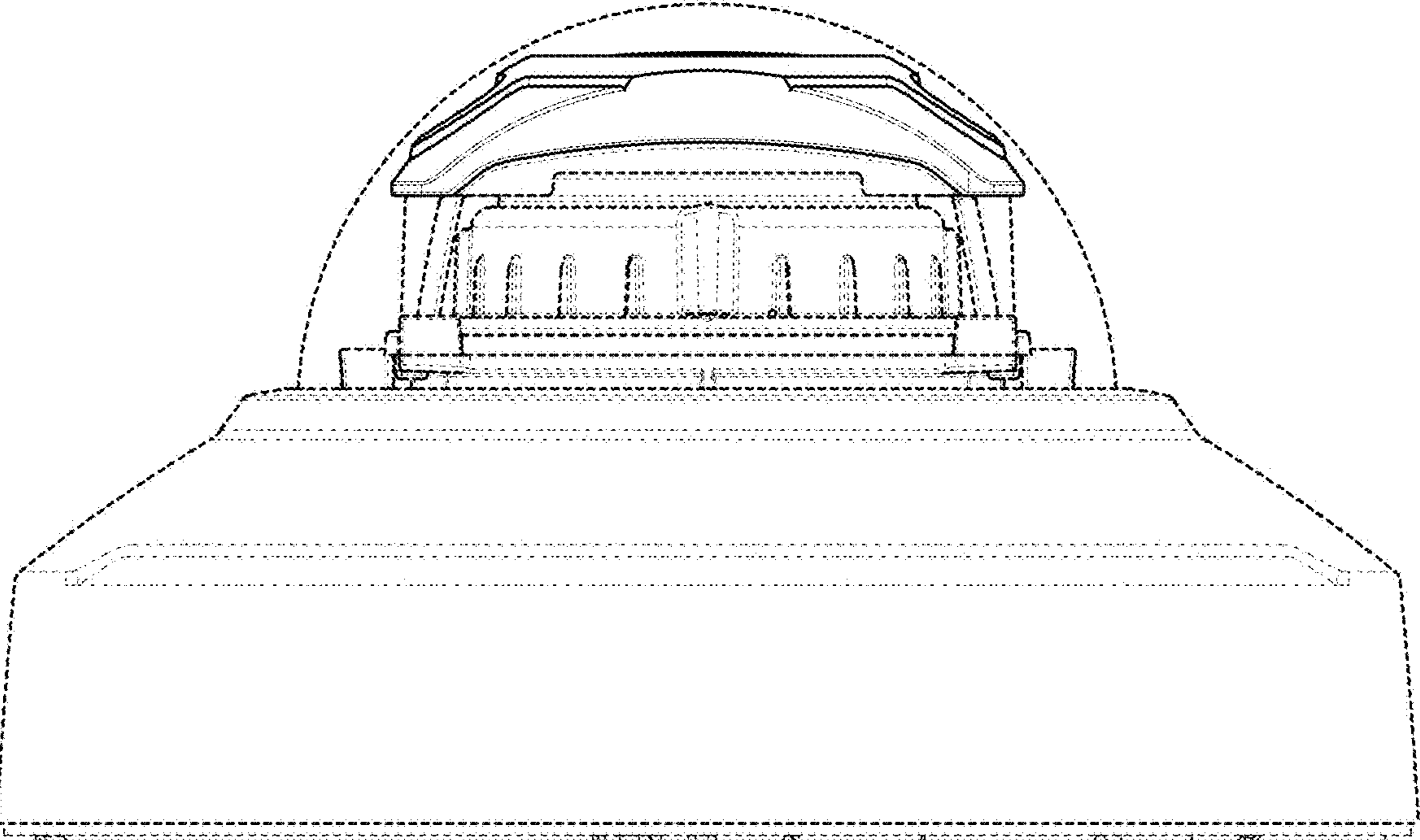


FIG. 3

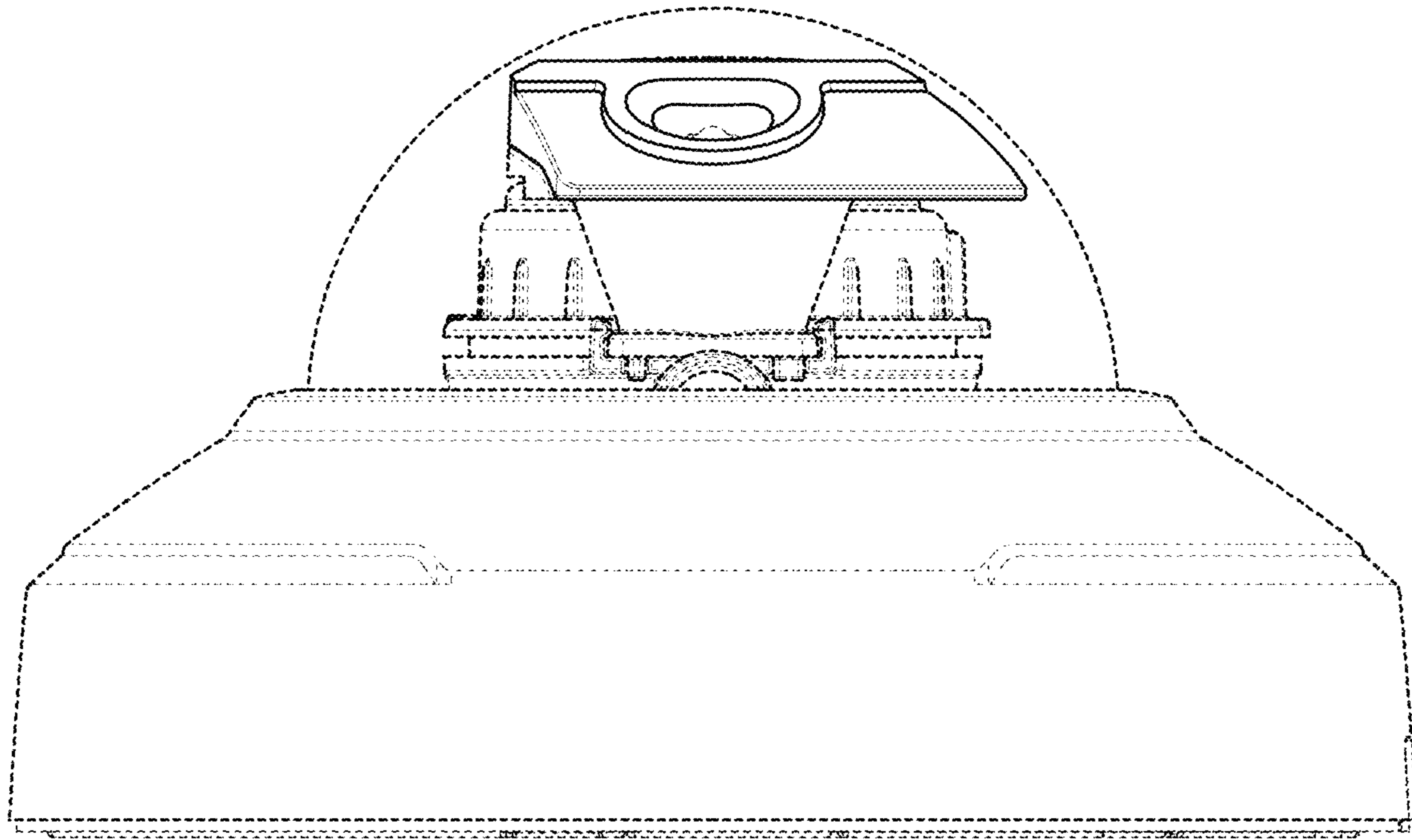


FIG. 4

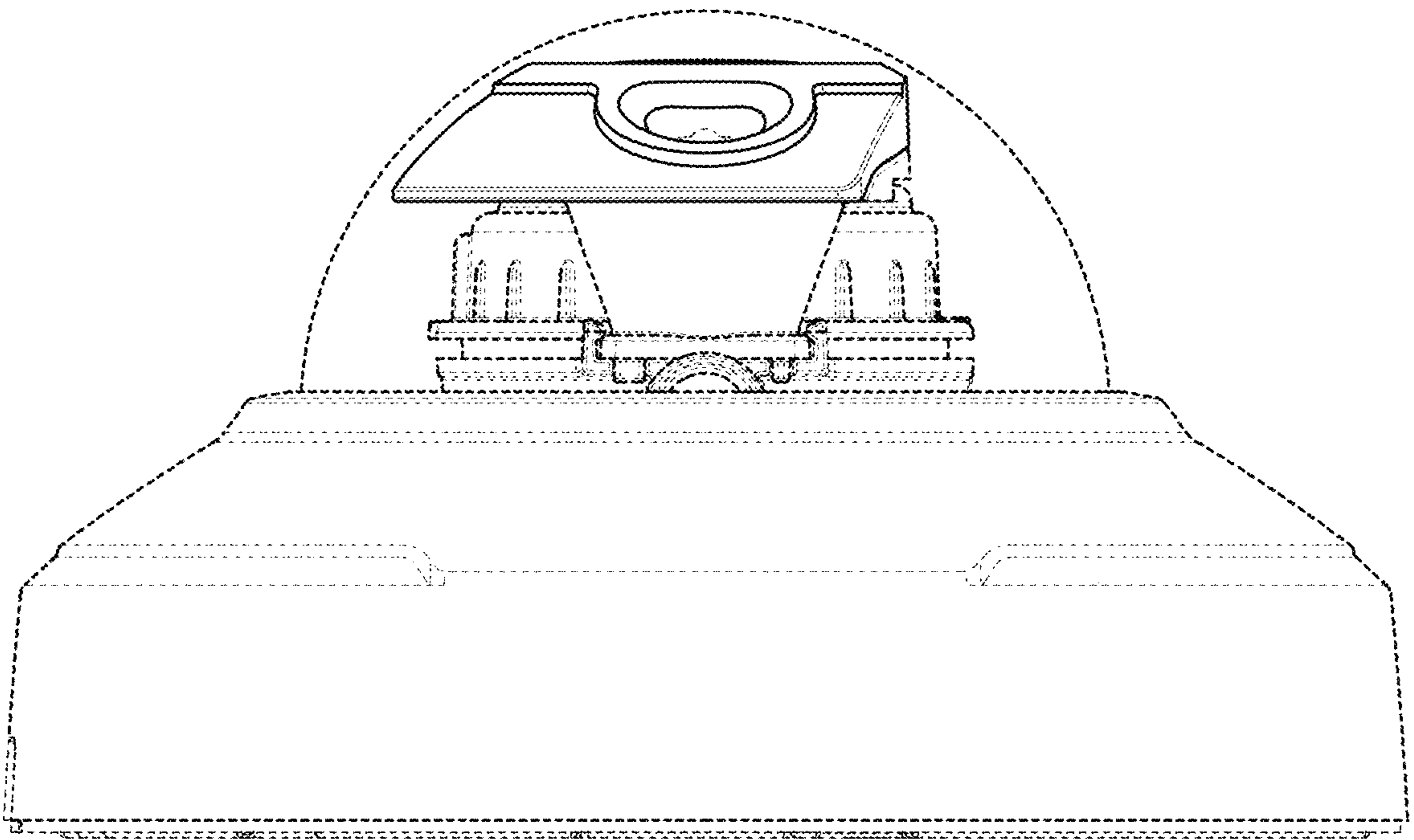


FIG. 5

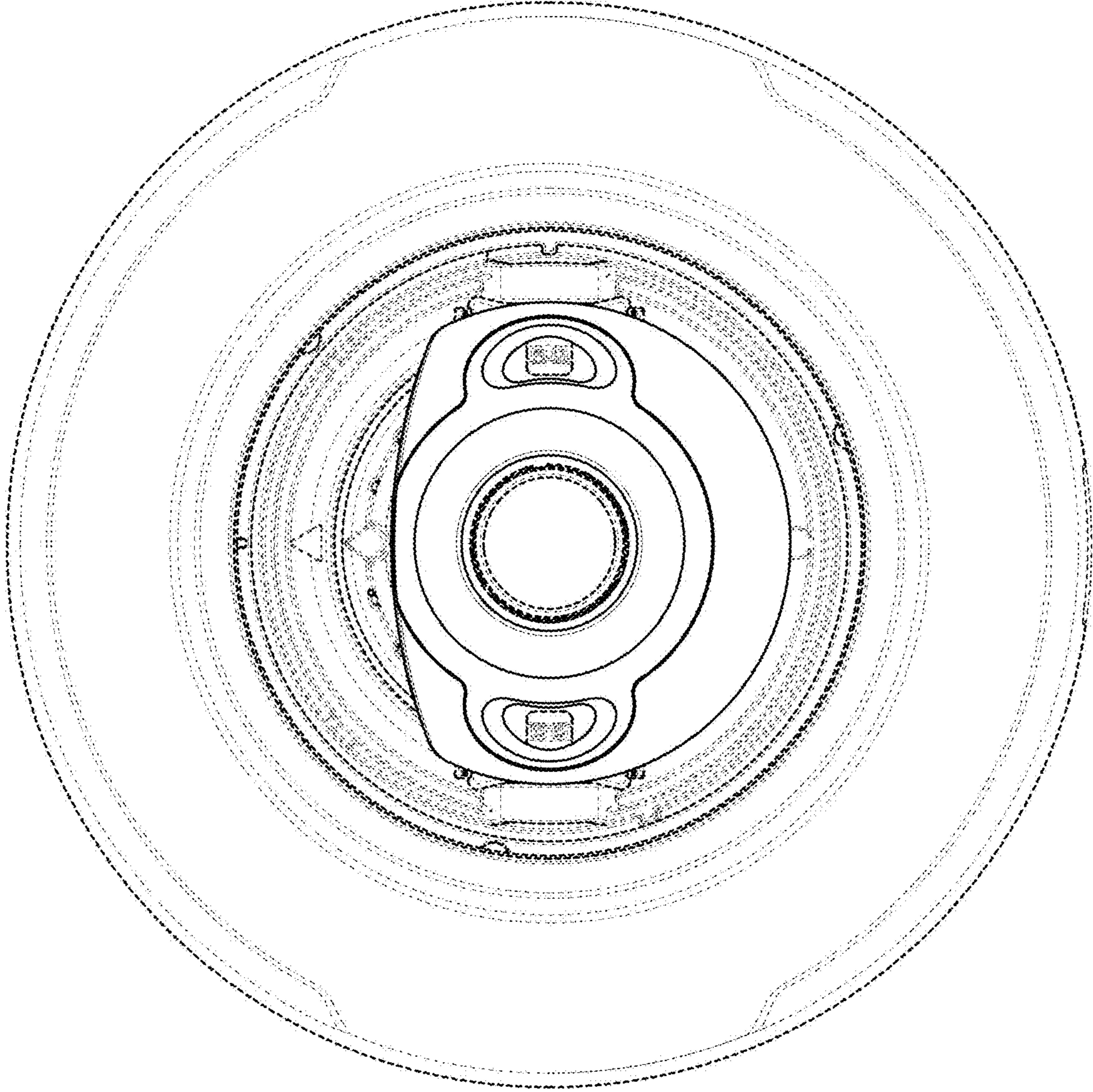


FIG. 6

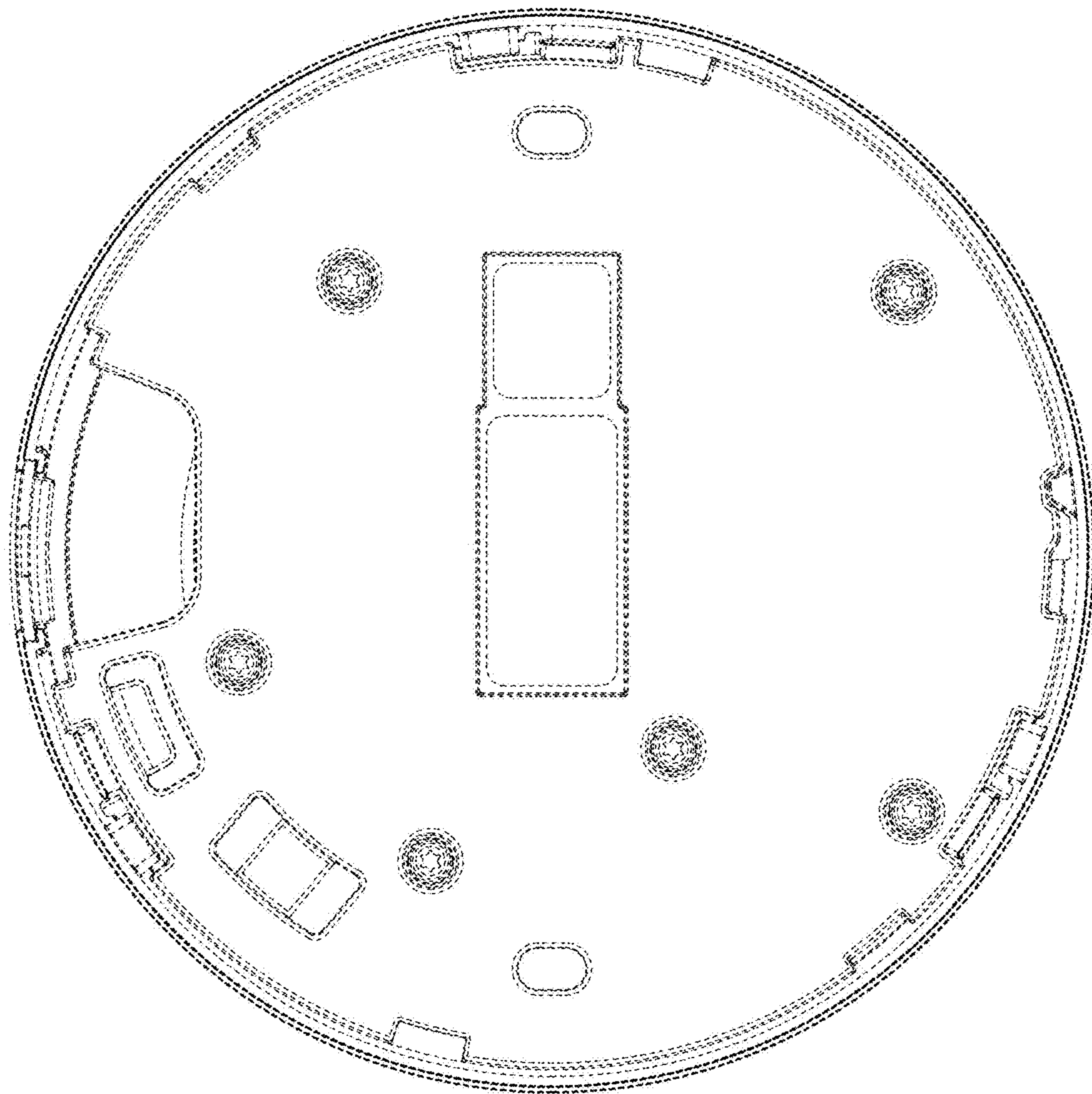


FIG. 7