

US00D876519S

(12) **United States Design Patent**
Yannay

(10) **Patent No.:** **US D876,519 S**

(45) **Date of Patent:** **** Feb. 25, 2020**

(54) **CAMERA UNIT**

(71) Applicant: **Mobileye Vision Technologies Ltd.**,
Jerusalem (IL)

(72) Inventor: **Elad Yannay**, Holon (IL)

(73) Assignee: **Mobileye Vision Technologies Ltd.**,
Jerusalem (IL)

(**) Term: **15 Years**

(21) Appl. No.: **29/676,007**

(22) Filed: **Jan. 7, 2019**

(51) **LOC (12) Cl.** **16-01**

(52) **U.S. Cl.**
USPC **D16/218**; D16/200

(58) **Field of Classification Search**
USPC D16/200, 202–206, 218, 219, 242;
348/143, 148, 151, 373–376; 396/419,
396/427, 535, 539–541
CPC G03B 17/02; G03B 19/04; G03B 17/56;
G03B 17/04; G03B 15/03; H04N 5/2251;
H04N 5/2252; H04N 5/2253; H04N
5/2254; H04N 7/181; H04N 7/183; H04N
7/18; G08B 13/1963; G08B 13/19619;
G08B 13/19632; F16M 11/04; F16M
13/00

See application file for complete search history.

(56) **References Cited**

U.S. PATENT DOCUMENTS

D501,494 S * 2/2005 Ogura D16/202
D698,841 S * 2/2014 Lee D16/202

D736,845 S * 8/2015 Yilin D16/203
D751,129 S * 3/2016 Lellky D16/203
D751,622 S * 3/2016 Mao D16/218
D769,956 S * 10/2016 Hinkel D16/203
D788,834 S * 6/2017 Bhattacharya D16/203
D809,045 S * 1/2018 Jou D16/202
D819,715 S * 6/2018 Laurans D16/203
D820,894 S * 6/2018 Tang D16/202
D840,851 S * 2/2019 Ammar D10/104.1
D841,073 S * 2/2019 Leiponis D16/203
D849,077 S * 5/2019 Tian D16/202

* cited by examiner

Primary Examiner — Ramzi S Almatrahi

(74) *Attorney, Agent, or Firm* — Finnegan, Henderson,
Farabow, Garrett & Dunner, LLP

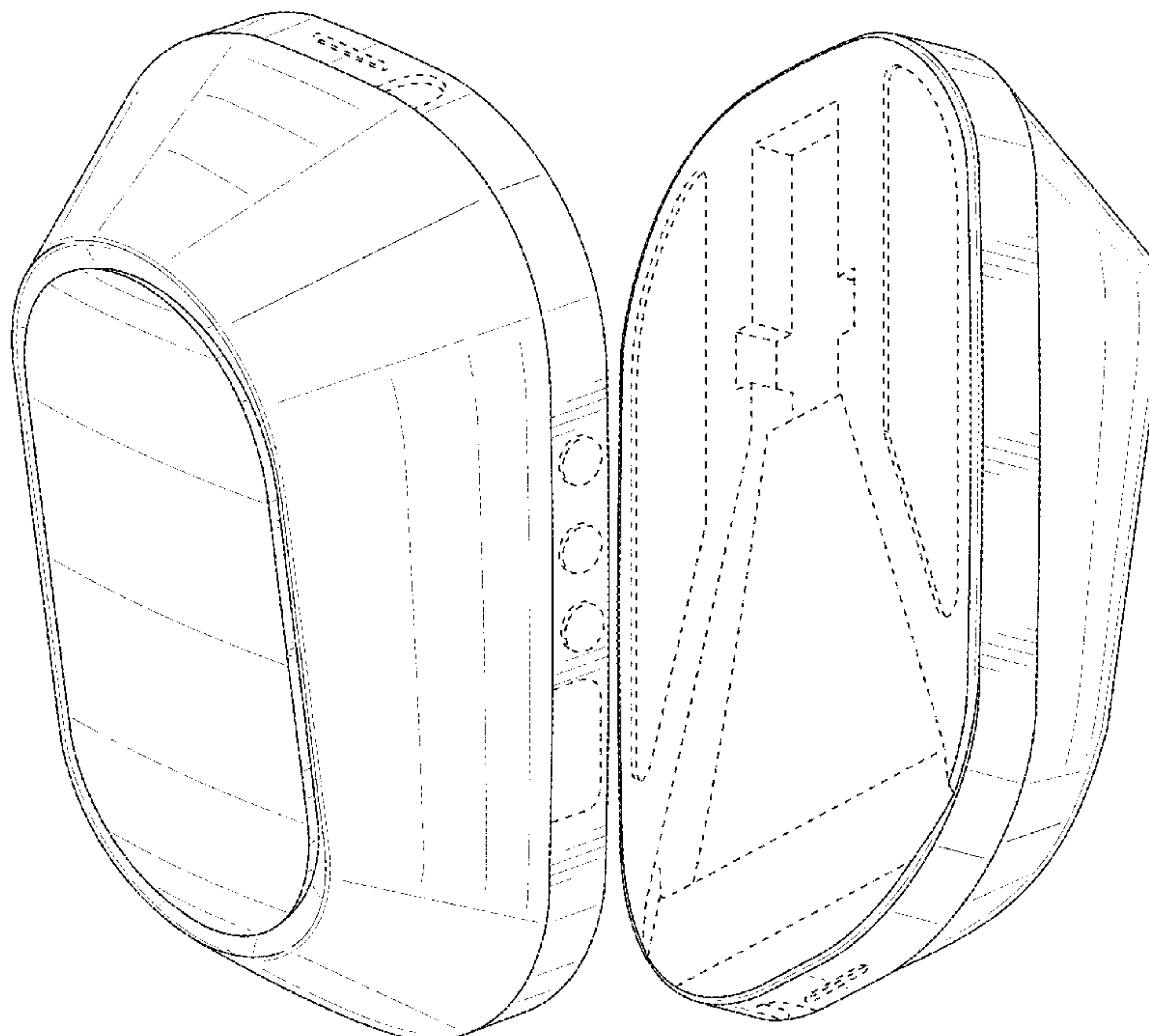
(57) **CLAIM**

The ornamental design for a camera unit, as shown and described.

DESCRIPTION

FIG. 1 is a top, front and right side perspective view of a camera unit showing my new design;
FIG. 2 is a bottom, rear and left side perspective view thereof;
FIG. 3 is a front elevation view thereof;
FIG. 4 is a rear elevation view thereof;
FIG. 5 is a right side elevation view thereof;
FIG. 6 is a left side elevation view thereof;
FIG. 7 is a top plan view thereof; and,
FIG. 8 is a bottom plan view thereof.
The broken lines depict portions of the camera unit in which the design is embodied that form no part of the claimed design.

1 Claim, 8 Drawing Sheets



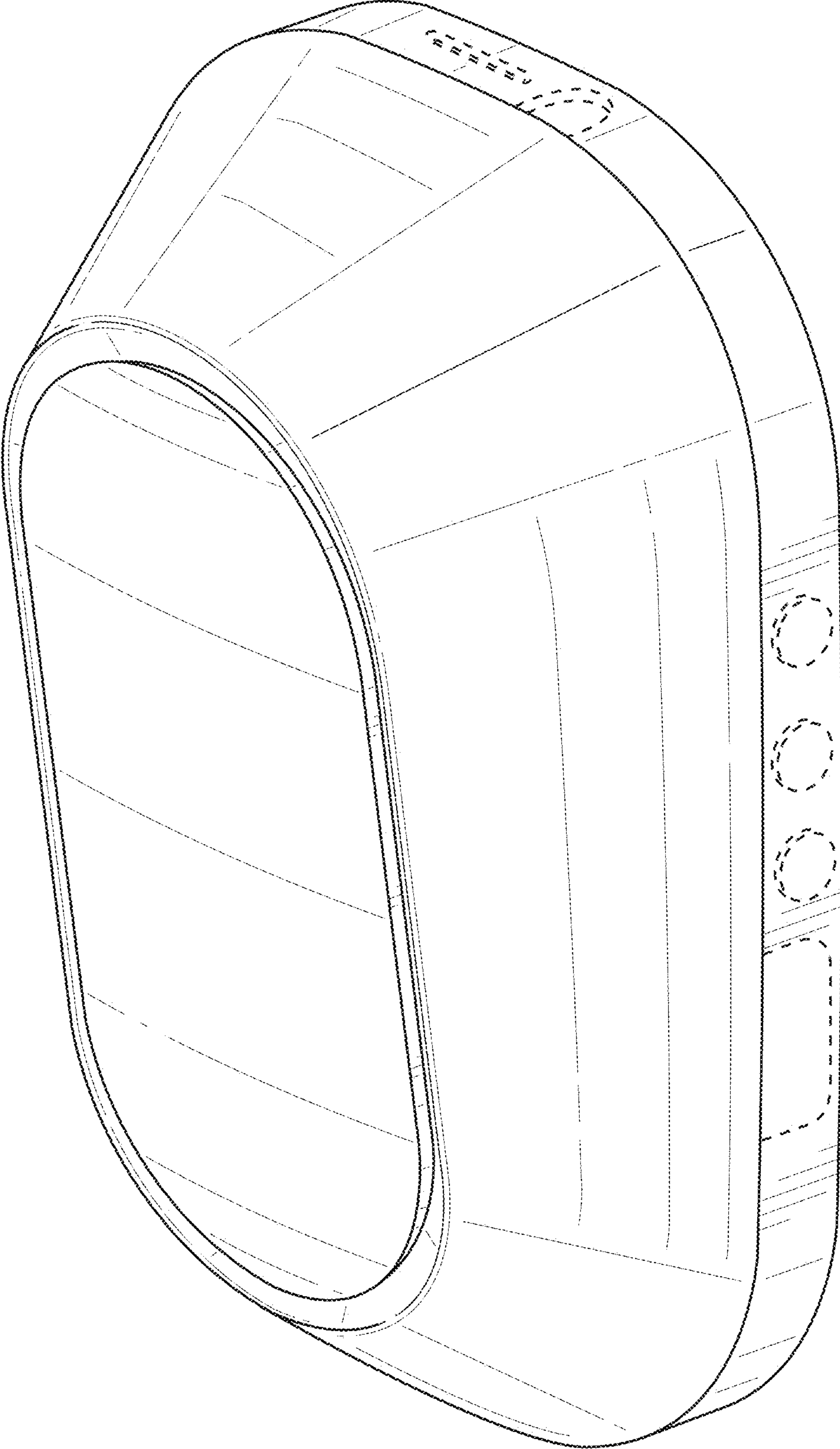


FIG. 1

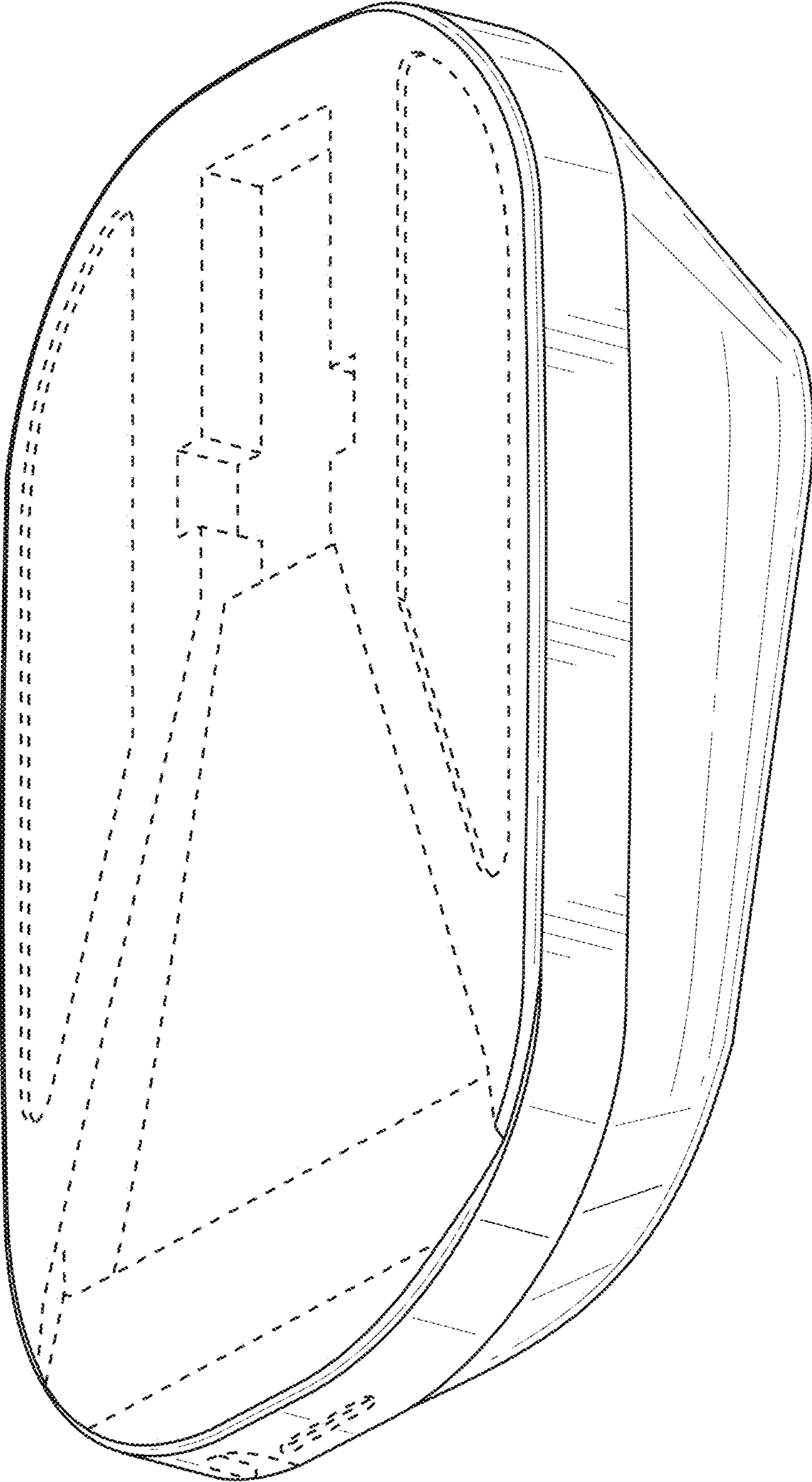


FIG. 2

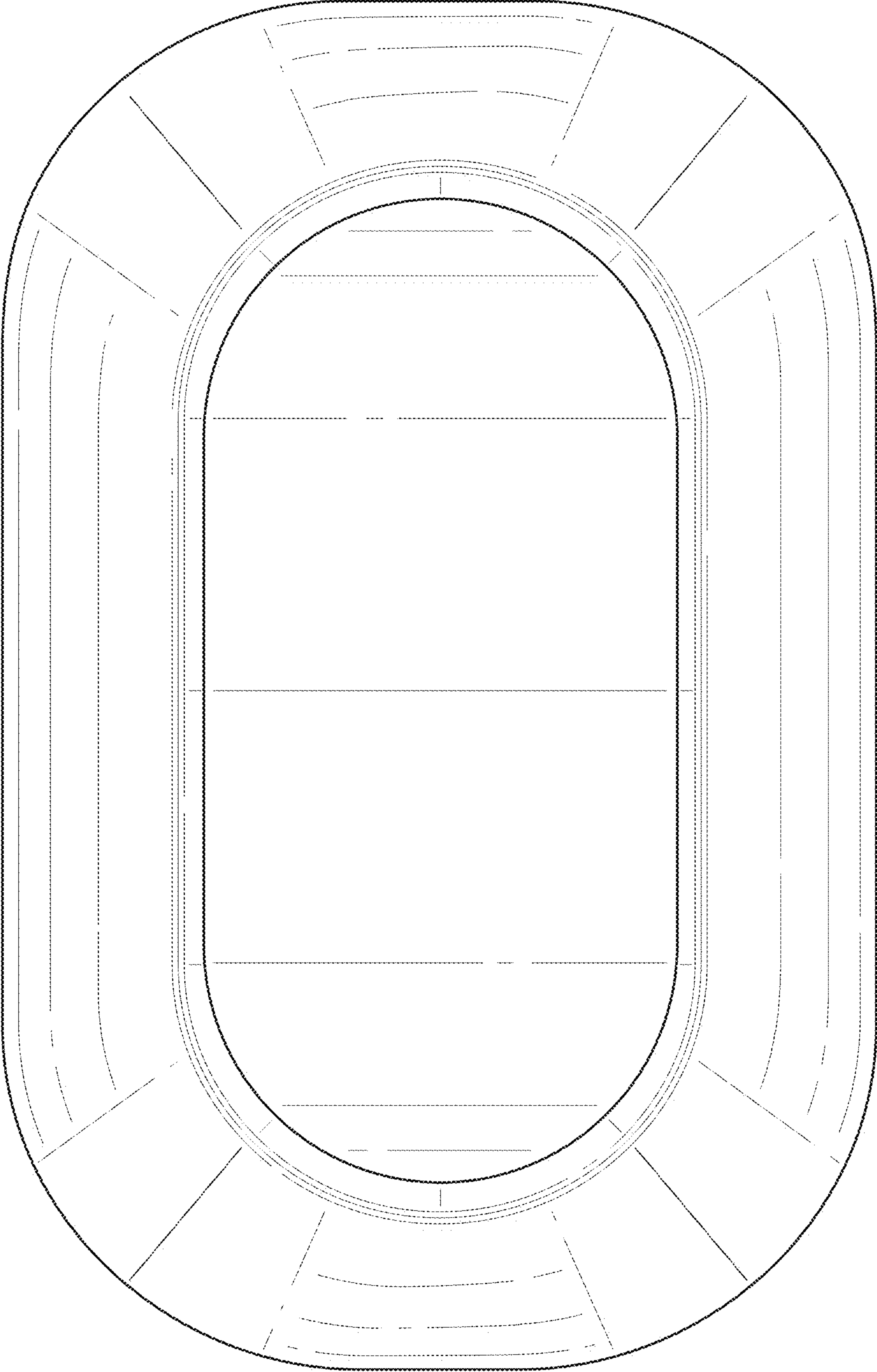


FIG. 3

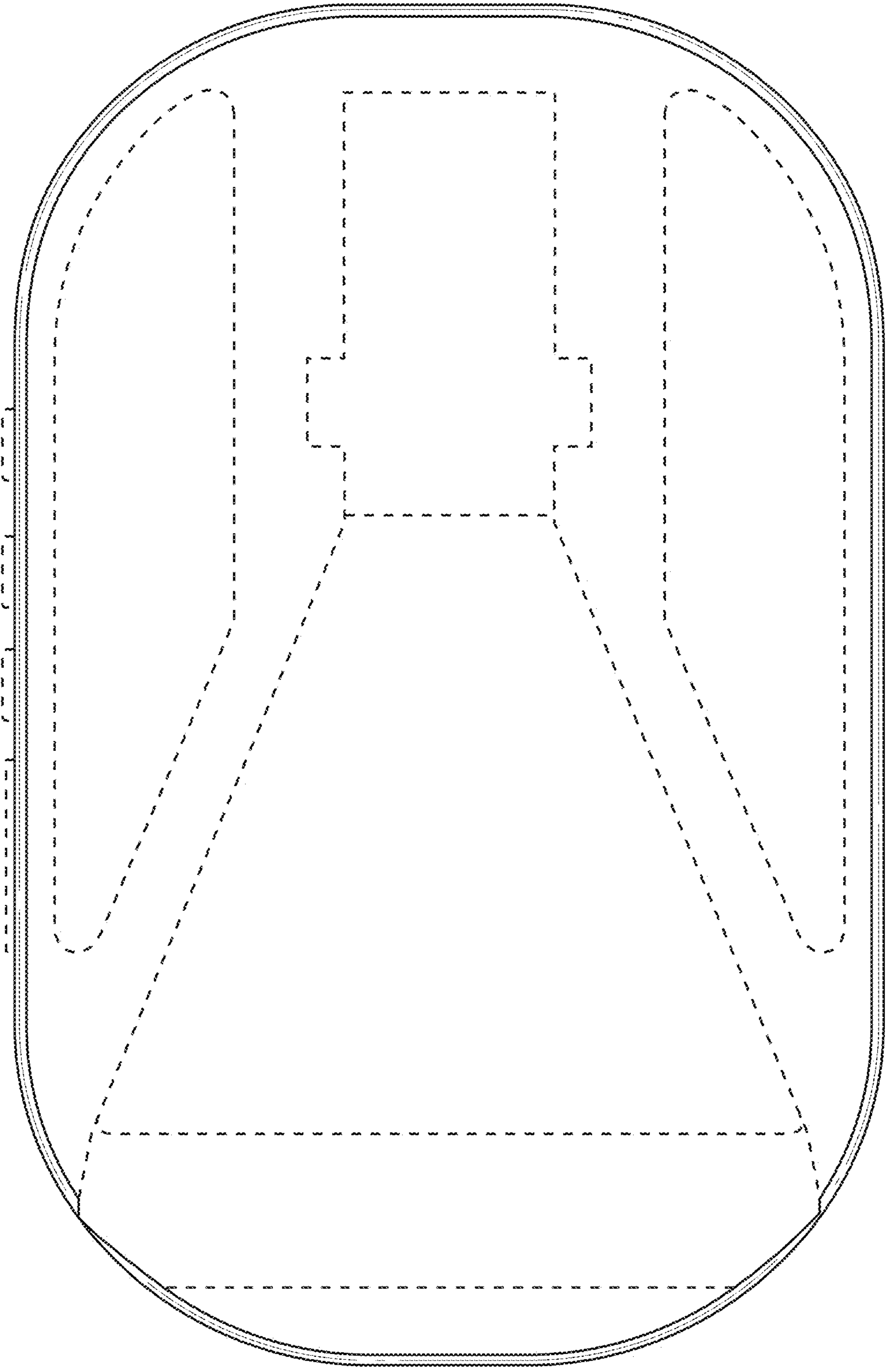


FIG. 4

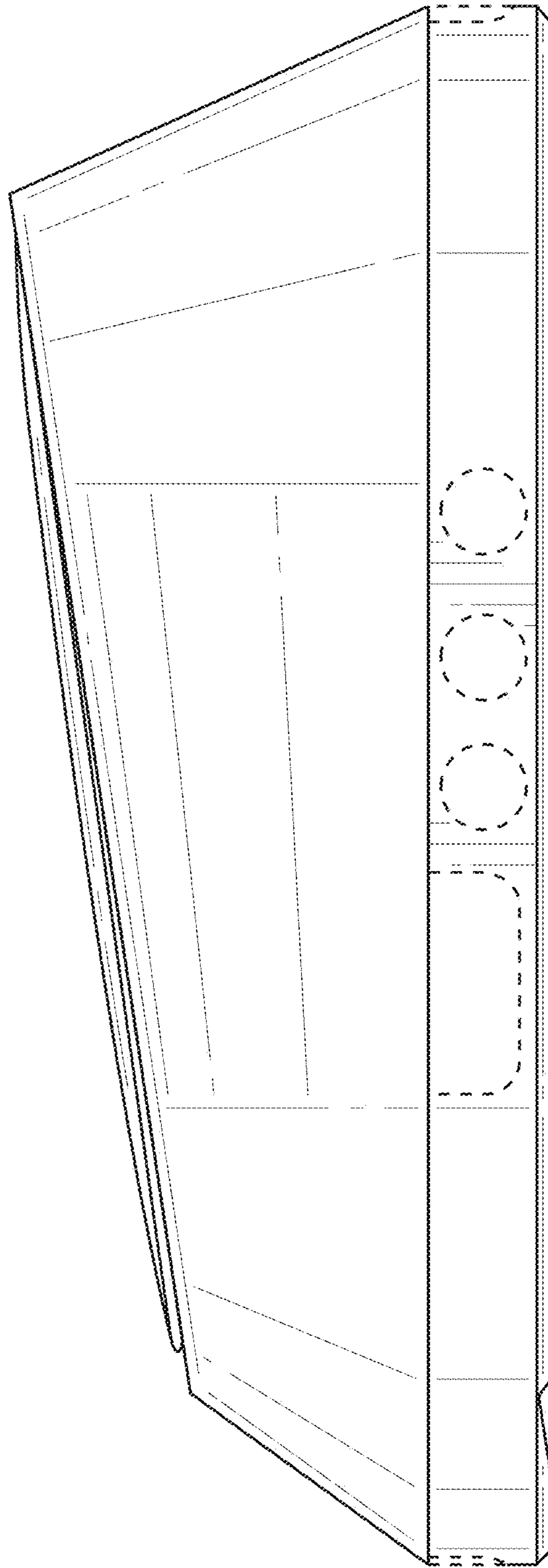


FIG. 5

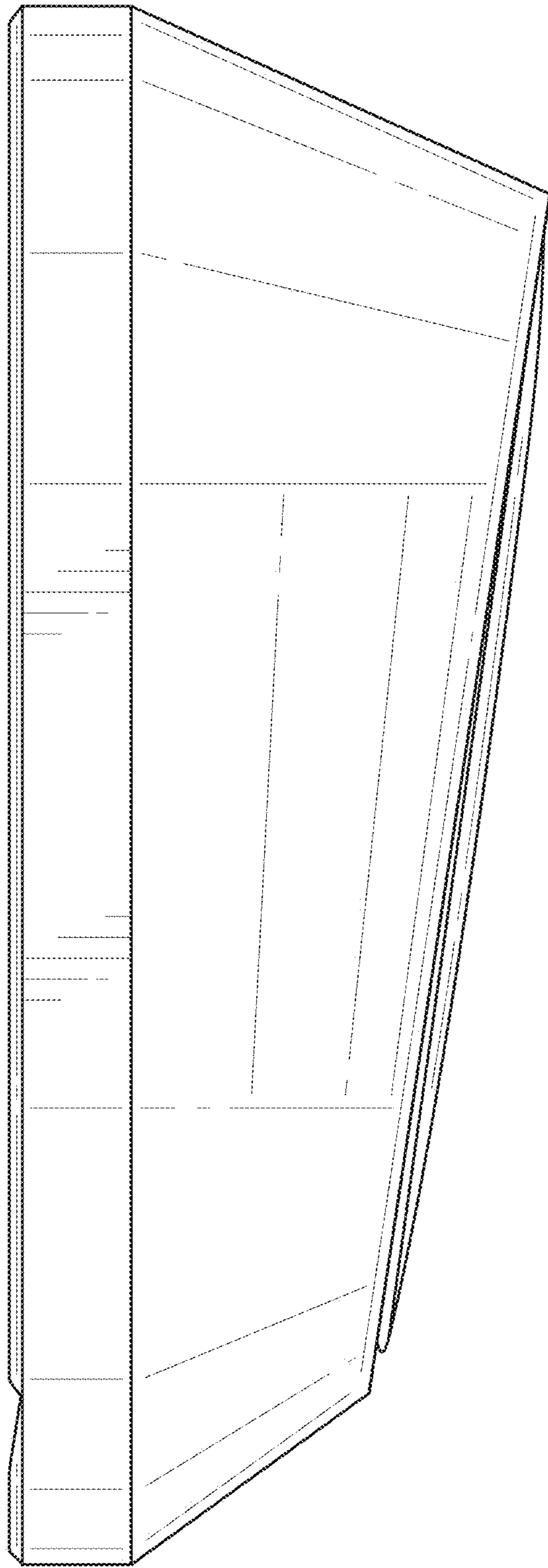


FIG. 6

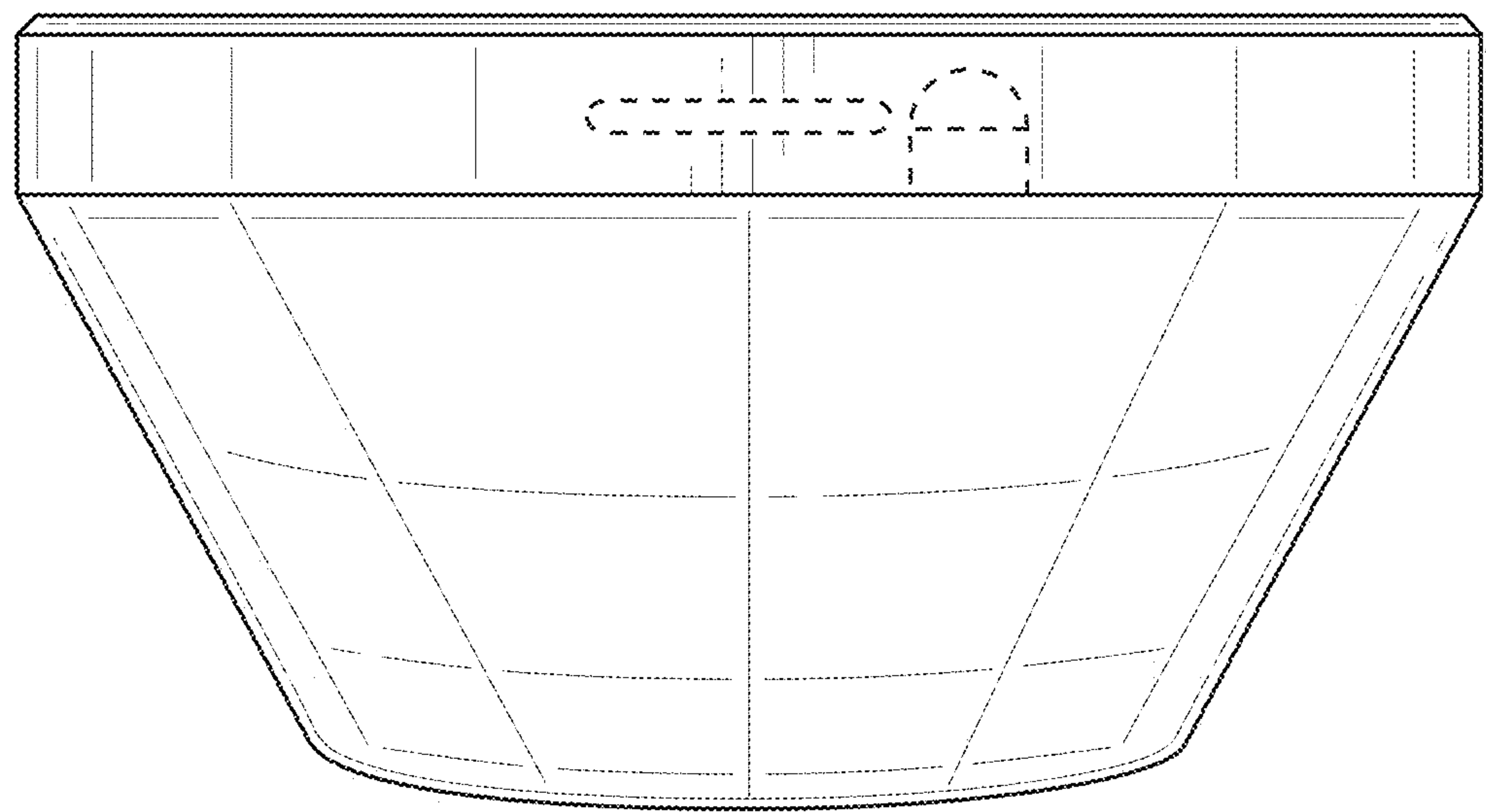


FIG. 7

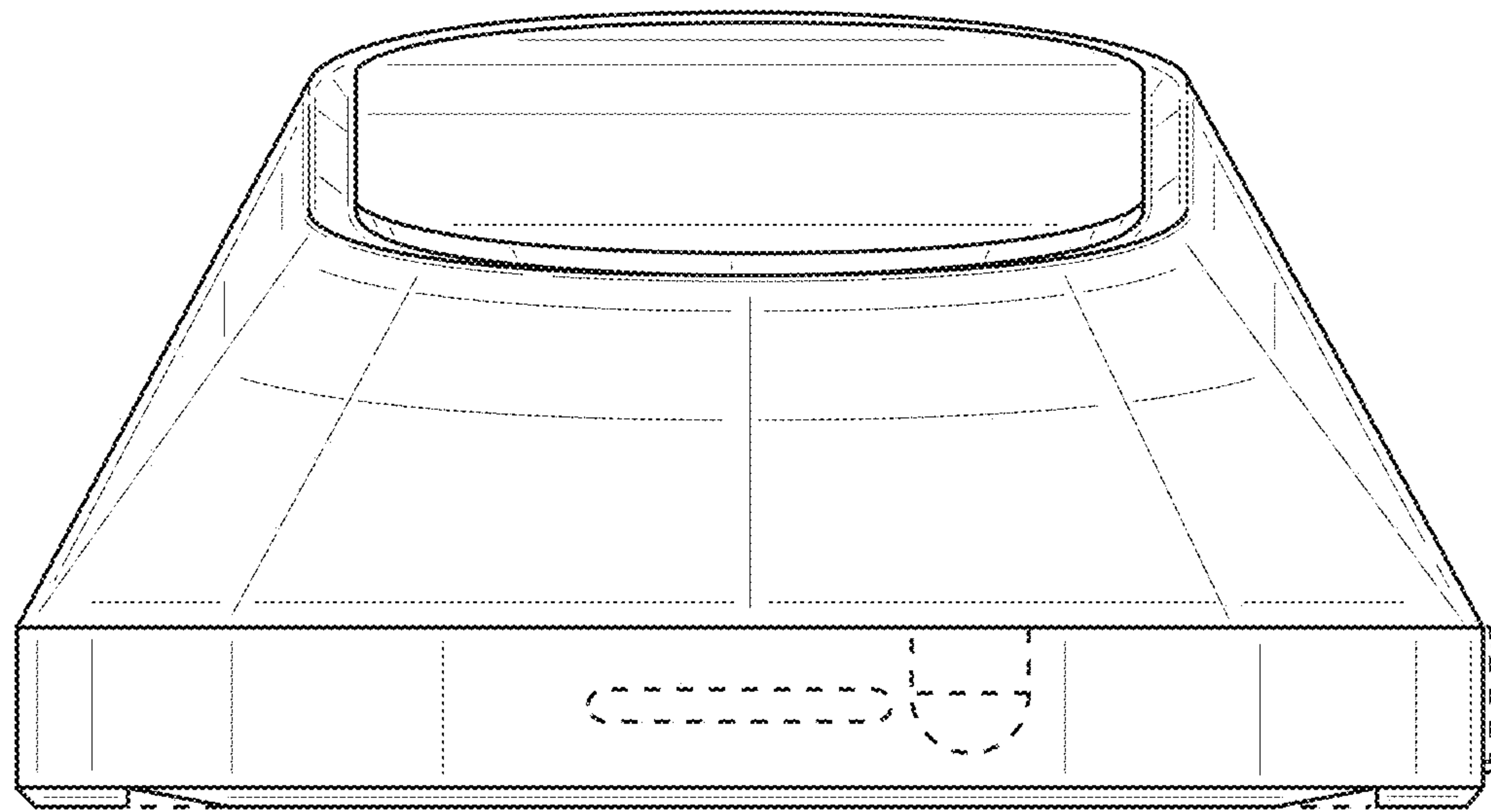


FIG. 8