



US00D876518S

(12) **United States Design Patent**  
**Tran et al.**

(10) **Patent No.:** **US D876,518 S**

(45) **Date of Patent:** **\*\* Feb. 25, 2020**

(54) **CAMERA**

(71) Applicant: **MOTOROLA SOLUTIONS, INC.**,  
Chicago, IL (US)

(72) Inventors: **Chi T Tran**, Naperville, IL (US); **Ryan M Nilsen**, Weston, FL (US)

(73) Assignee: **MOTOROLA SOLUTIONS, INC.**,  
Chicago, IL (US)

(\*\*) Term: **15 Years**

(21) Appl. No.: **29/665,547**

(22) Filed: **Oct. 4, 2018**

(51) **LOC (12) Cl.** ..... **16-01**

(52) **U.S. Cl.**  
USPC ..... **D16/218**

(58) **Field of Classification Search**  
USPC ..... D16/200, 202–206, 208, 218, 219;  
348/373–376; 396/535, 539–541  
CPC ..... G03B 15/03; G03B 17/02; G03B 17/04;  
G03B 17/56; G03B 19/04; H04N 5/2251;  
H04N 5/2252; H04N 5/2253; H04N  
5/2254; H04N 2101/00  
See application file for complete search history.

(56) **References Cited**

**U.S. PATENT DOCUMENTS**

D537,094 S \* 2/2007 Lee ..... D16/200  
D616,901 S \* 6/2010 Ward ..... D14/507

D617,821 S \* 6/2010 Kaplan ..... D16/202  
D630,236 S \* 1/2011 Lian ..... D16/203  
D633,930 S \* 3/2011 Dinger ..... D16/202  
D638,458 S \* 5/2011 Miyamori ..... D16/202  
D641,771 S \* 7/2011 Sasaki ..... D16/202  
D651,632 S \* 1/2012 Kim ..... D16/202  
D692,473 S \* 10/2013 Kawaguchi ..... D16/202  
D729,295 S \* 5/2015 Onruang ..... D16/202  
2013/0038728 A1 \* 2/2013 Kim ..... H04N 5/2252  
348/143

\* cited by examiner

*Primary Examiner* — Ramzi S Almatrahi

(74) *Attorney, Agent, or Firm* — Raguraman Kumaresan

(57) **CLAIM**

The ornamental design for a camera, as shown and described.

**DESCRIPTION**

FIG. 1 is a front perspective view of a camera showing our new design;  
FIG. 2 is a rear perspective view thereof;  
FIG. 3 is a front elevation view thereof;  
FIG. 4 is a rear elevation view thereof;  
FIG. 5 is a first side elevation view thereof;  
FIG. 6 is a second side elevation view thereof;  
FIG. 7 is a top plan view thereof; and,  
FIG. 8 is a bottom plan view thereof.  
The broken lines depict portions of the camera in which the design is embodied that form no part of the claimed design.

**1 Claim, 6 Drawing Sheets**



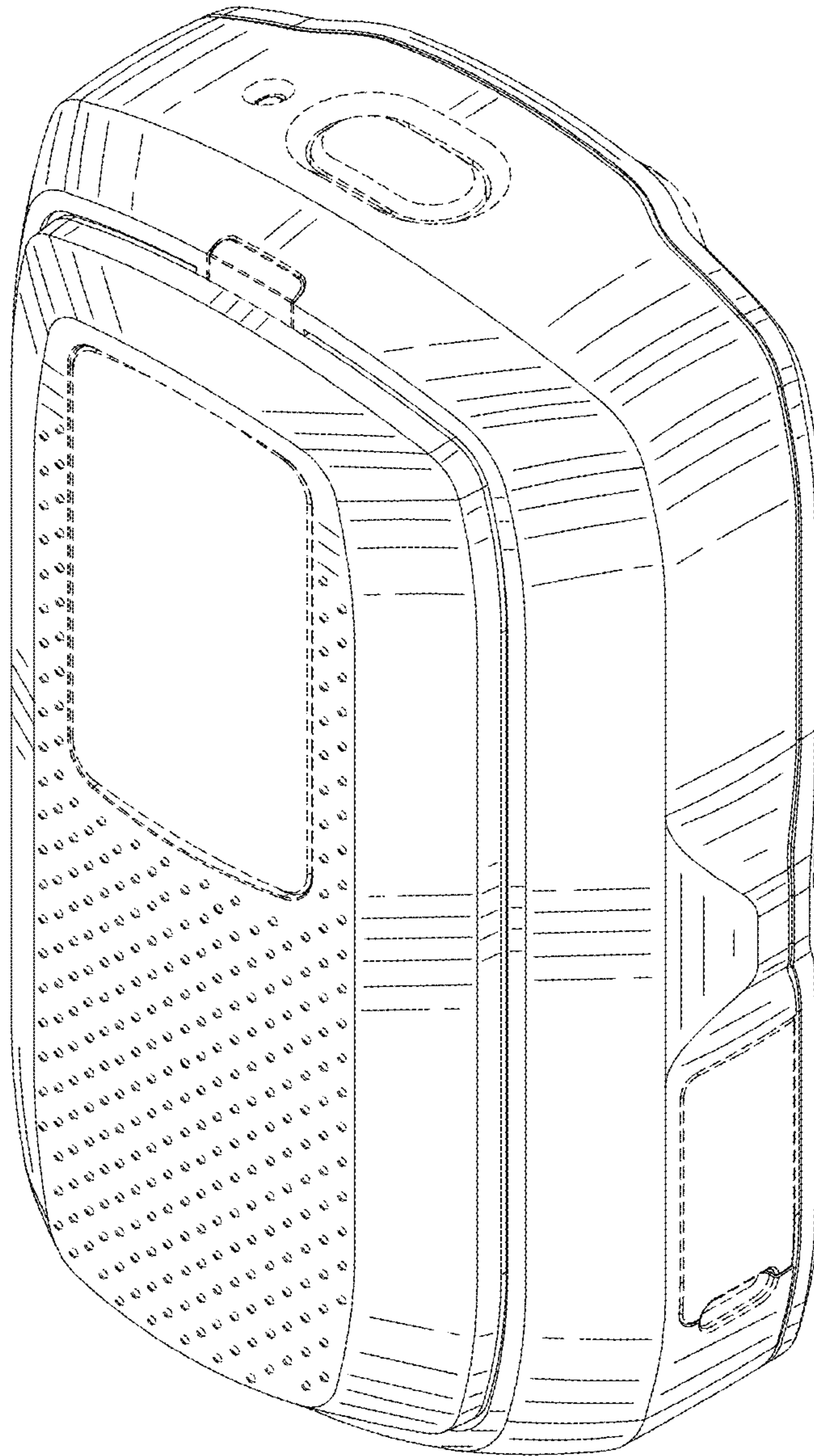


FIG. 1

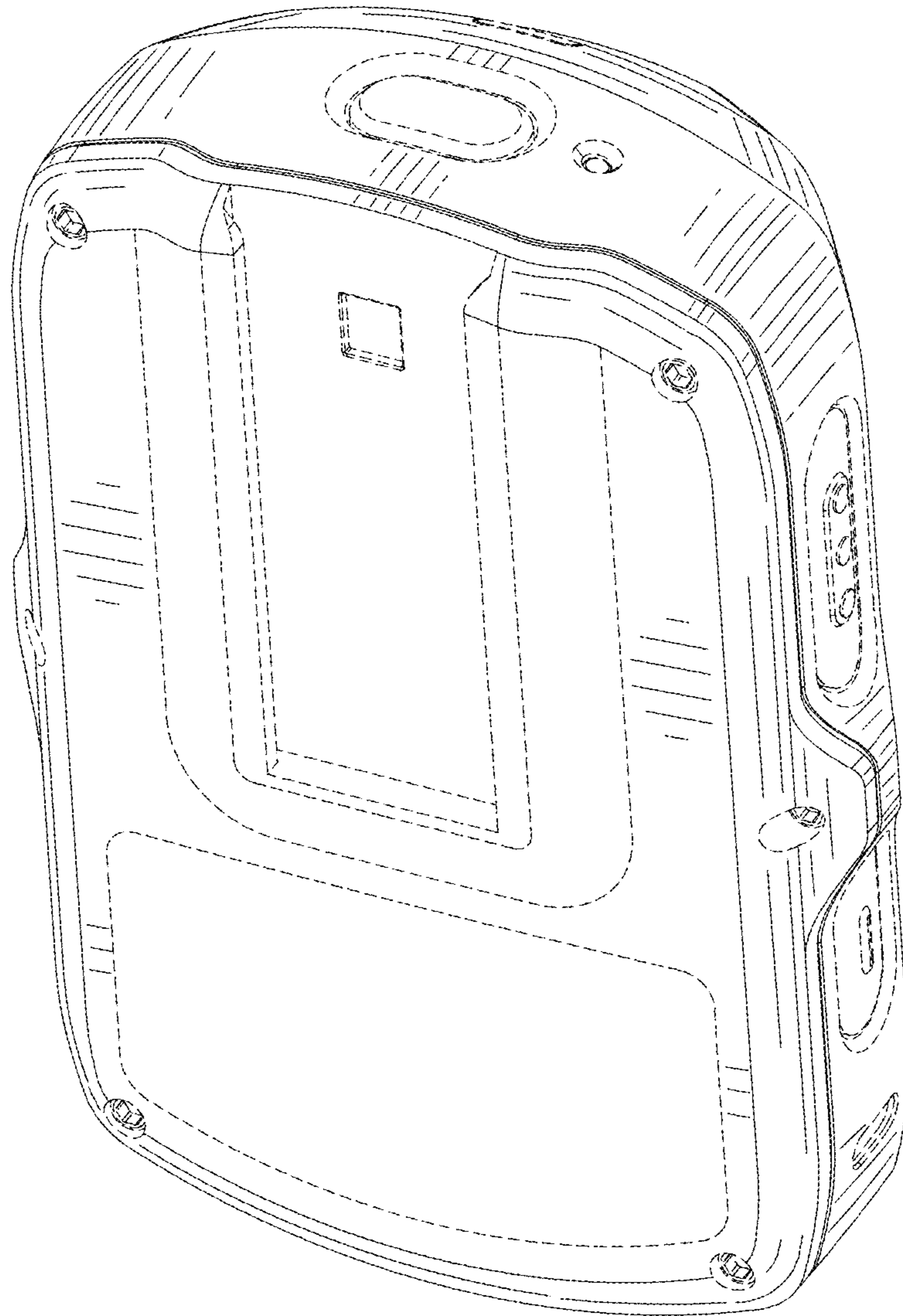


FIG. 2



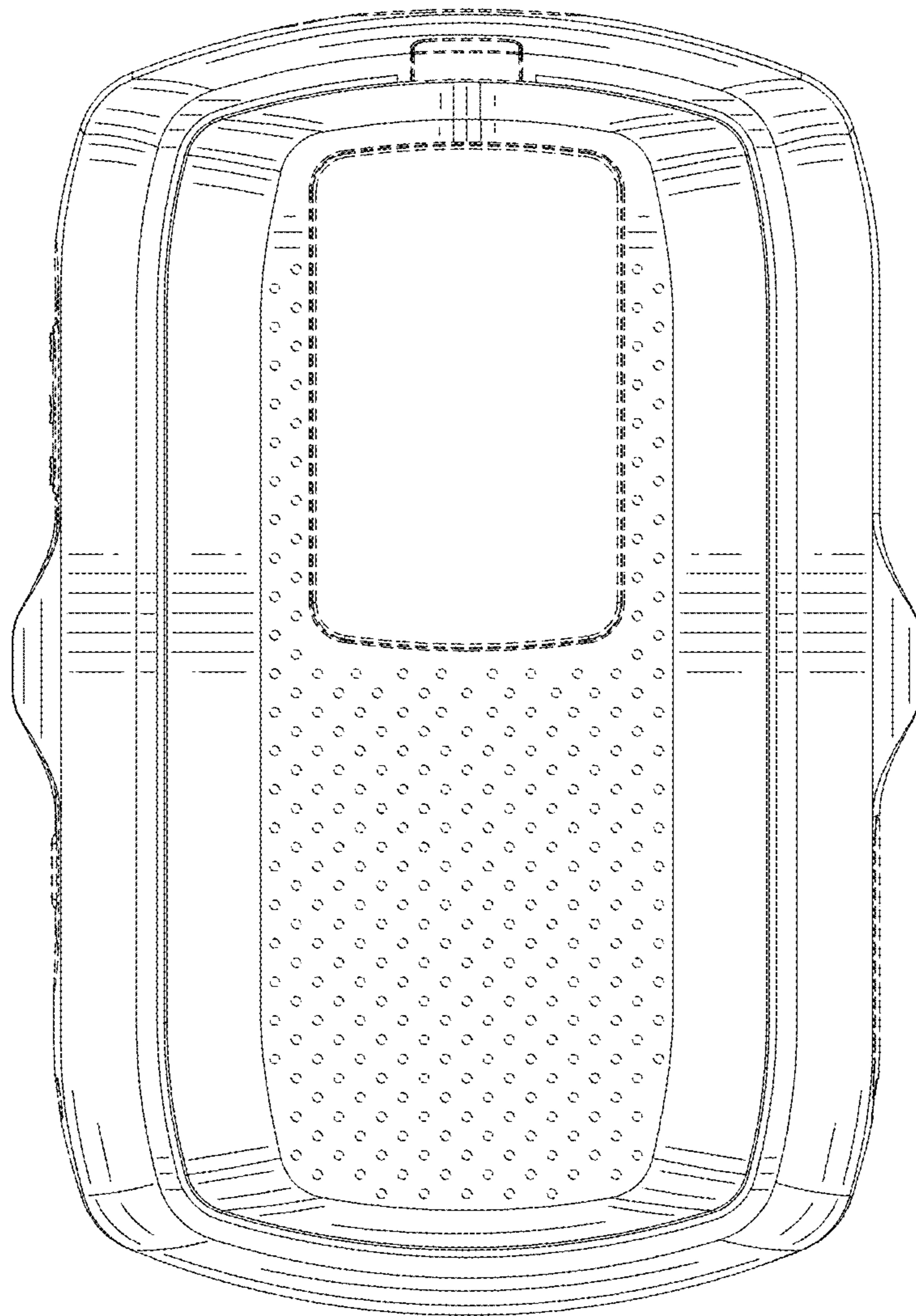


FIG. 3



FIG. 4

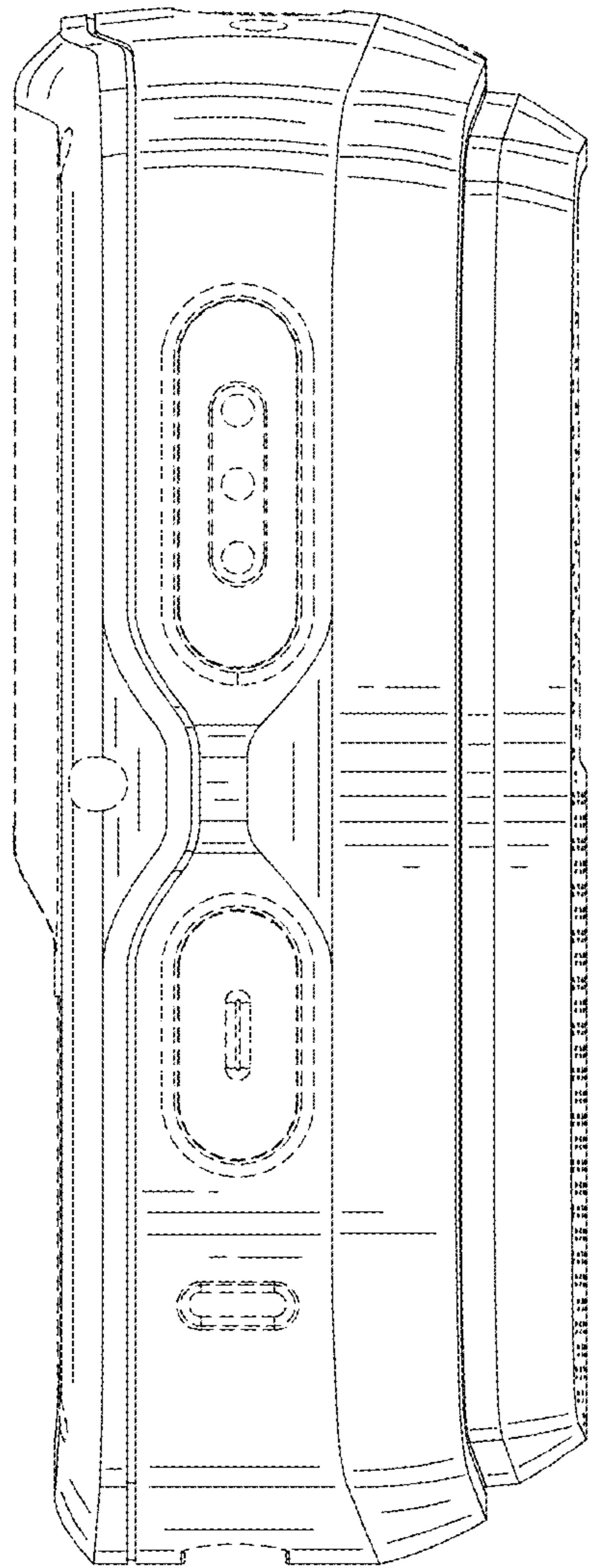


FIG. 5

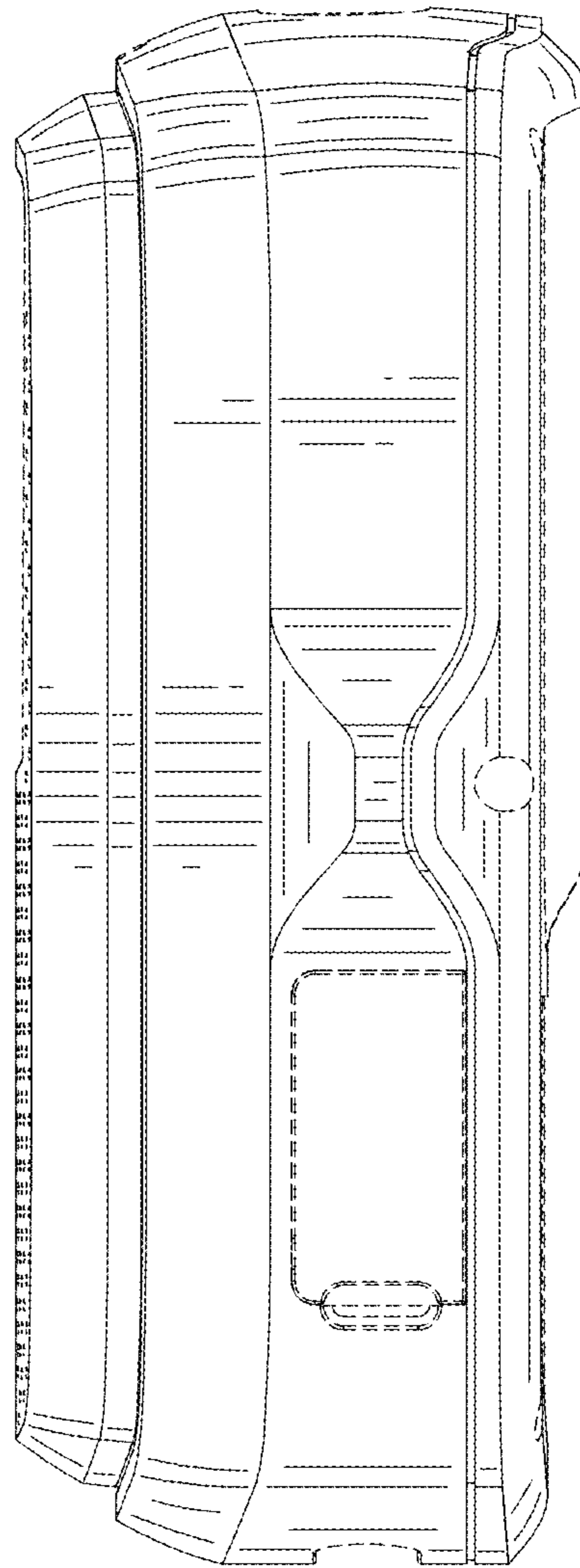


FIG. 6

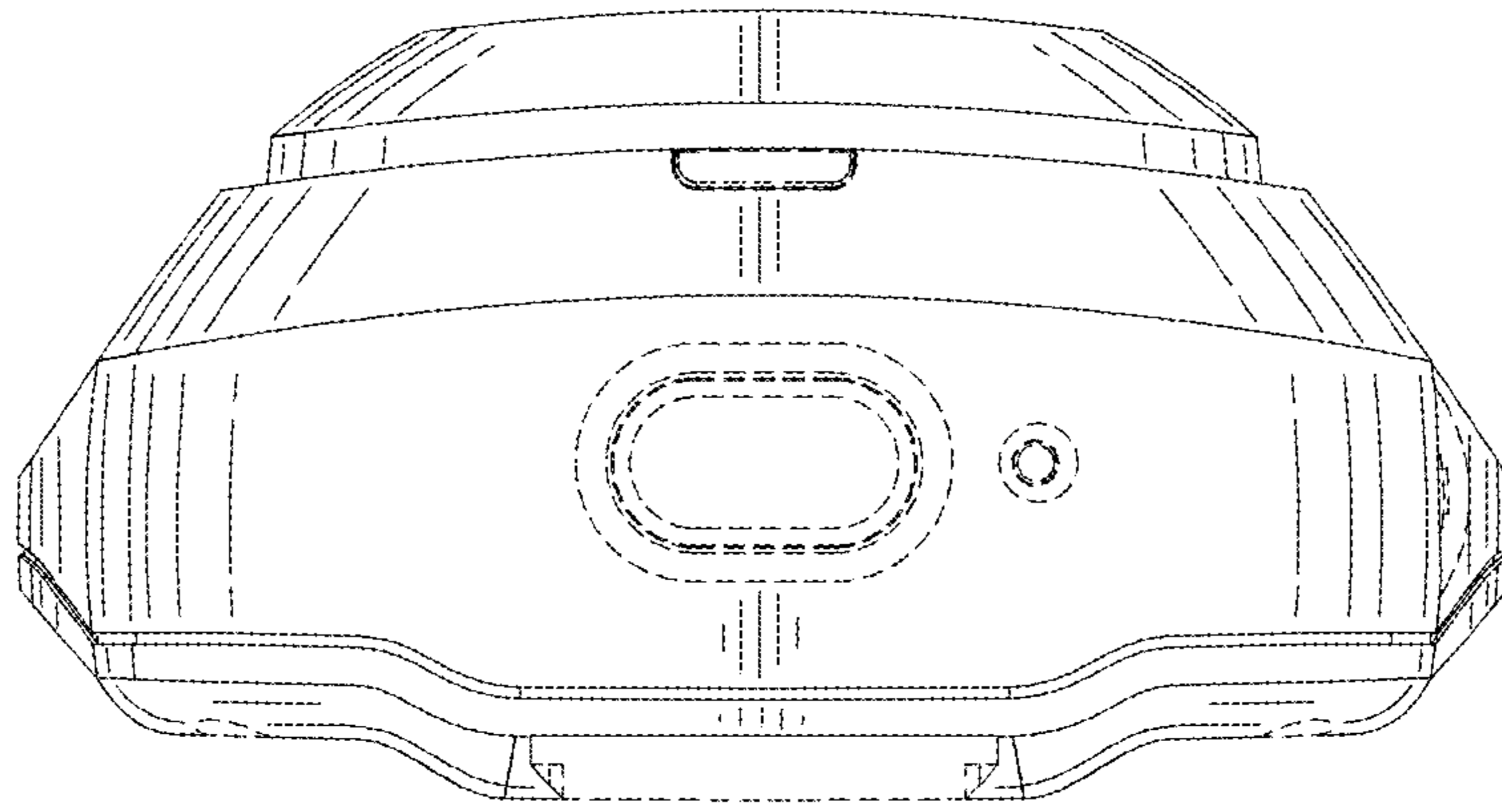


FIG. 7

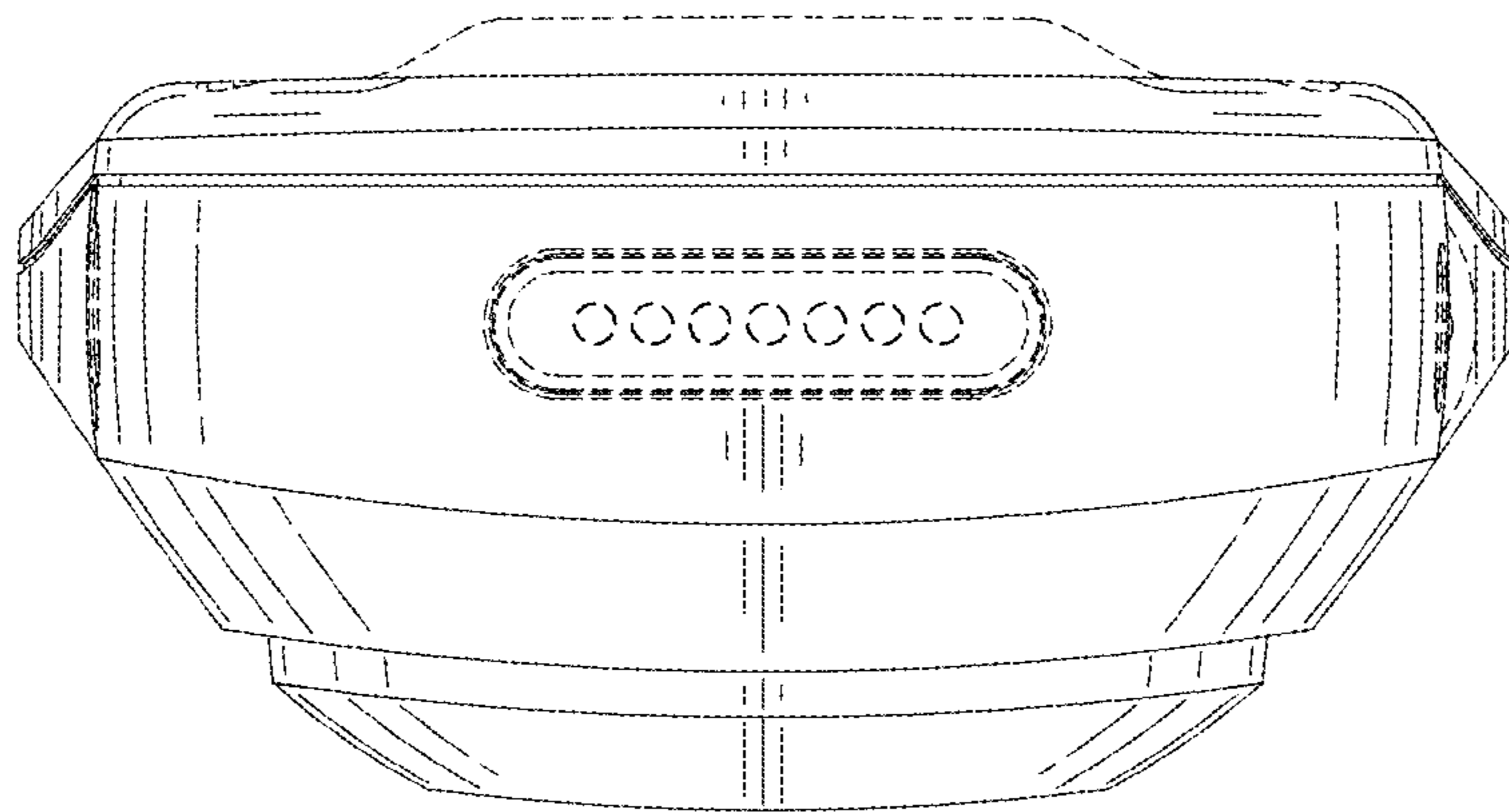


FIG. 8