



US00D876517S

(12) **United States Design Patent** (10) **Patent No.:** **US D876,517 S**
Miyamoto et al. (45) **Date of Patent:** **** Feb. 25, 2020**

(54) **ATTACHMENT FOR A SMART DEVICE CAMERA**

(56) **References Cited**

(71) Applicant: **The Procter & Gamble Company**, Cincinnati, OH (US)
(72) Inventors: **Kukizo Miyamoto**, Ashiya (JP); **Hitomi Nagasawa**, Kobe (JP); **Tanacin Meswad**, Singapore (SG)
(73) Assignee: **The Procter & Gamble Company**, Cincinnati, OH (US)
(**) Term: **15 Years**
(21) Appl. No.: **29/633,811**
(22) Filed: **Jan. 16, 2018**

U.S. PATENT DOCUMENTS

D554,682	S	*	11/2007	Martinez	D16/203
D628,223	S	*	11/2010	Kao	D16/202
D690,344	S	*	9/2013	Hollinger	D16/200
D705,844	S	*	5/2014	Bart	D16/203
D730,966	S	*	6/2015	Liu	D16/202
D730,969	S	*	6/2015	O'Neill	D16/219
D731,579	S	*	6/2015	Bart	D16/203
D742,955	S	*	11/2015	Kozko	D16/207
D749,661	S	*	2/2016	Yang	D16/203
9,294,660	B2	*	3/2016	O'Neill	H04N 5/2254
9,454,066	B2	*	9/2016	O'Neill	G03B 17/565
2013/0002939	A1	*	1/2013	O'Neill	G02B 7/14 348/360
2014/0071547	A1	*	3/2014	O'Neill	G02B 7/02 359/827

* cited by examiner

Related U.S. Application Data

(63) Continuation of application No. 29/541,056, filed on Sep. 30, 2015, now Pat. No. Des. 810,178.

Primary Examiner — Ramzi S Almatrahi

(74) *Attorney, Agent, or Firm* — John G. Powell; S. Robert Chuey

(30) **Foreign Application Priority Data**

Mar. 31, 2015 (WO) DM/086760

(51) **LOC (12) Cl.** **16-01**

(52) **U.S. Cl.**
USPC **D16/208**; D16/218

(58) **Field of Classification Search**
USPC D16/130, 134, 136, 200, 202–205, 218, D16/219, 235, 237; D14/432, 433, 239, D14/483, 217, 484; 348/373–376; 359/826–828; 396/529–532, 535, 396/539–541

CPC G03B 17/02; G03B 19/04; G03B 17/56; G03B 17/04; G03B 15/03; G03B 17/14; H04N 5/2251; H04N 5/2252; H04N 5/2253; H04N 5/2254; G02B 7/02; G02B 7/04; G02B 7/14

See application file for complete search history.

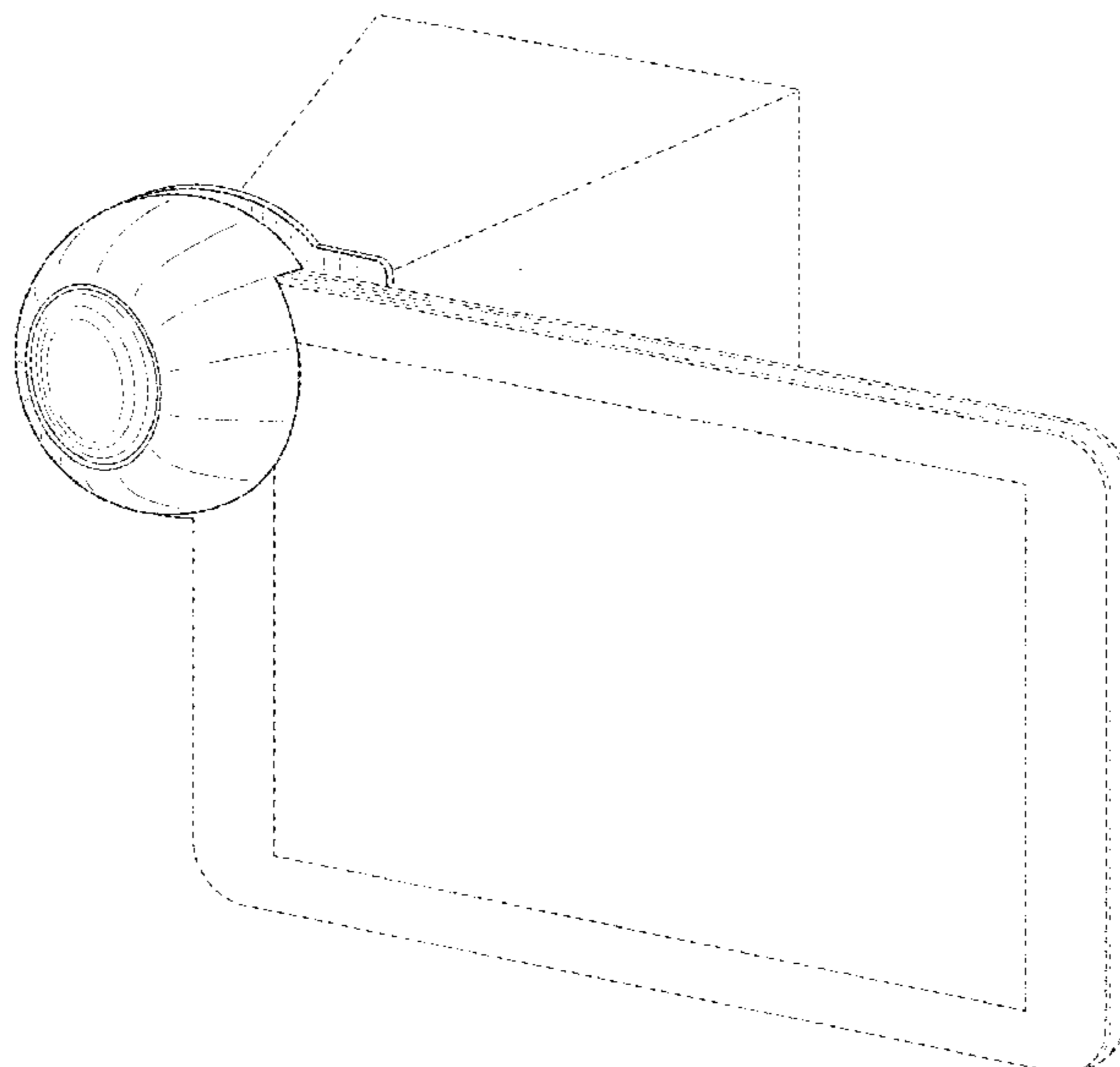
(57) **CLAIM**

The ornamental design for an attachment for a smart device camera, as shown and described.

DESCRIPTION

FIG. 1 is a perspective view of an attachment for a smart device camera showing our new design; FIG. 2 is a front elevational view thereof; FIG. 3 is a left side elevational view thereof; FIG. 4 is a back elevational view thereof; FIG. 5 is a right side elevational view thereof; FIG. 6 is a top plan view thereof; and, FIG. 7 is a bottom plan view thereof. The broken lines shown in the drawings depict environmental subject matter that form no part of the claimed design.

1 Claim, 4 Drawing Sheets



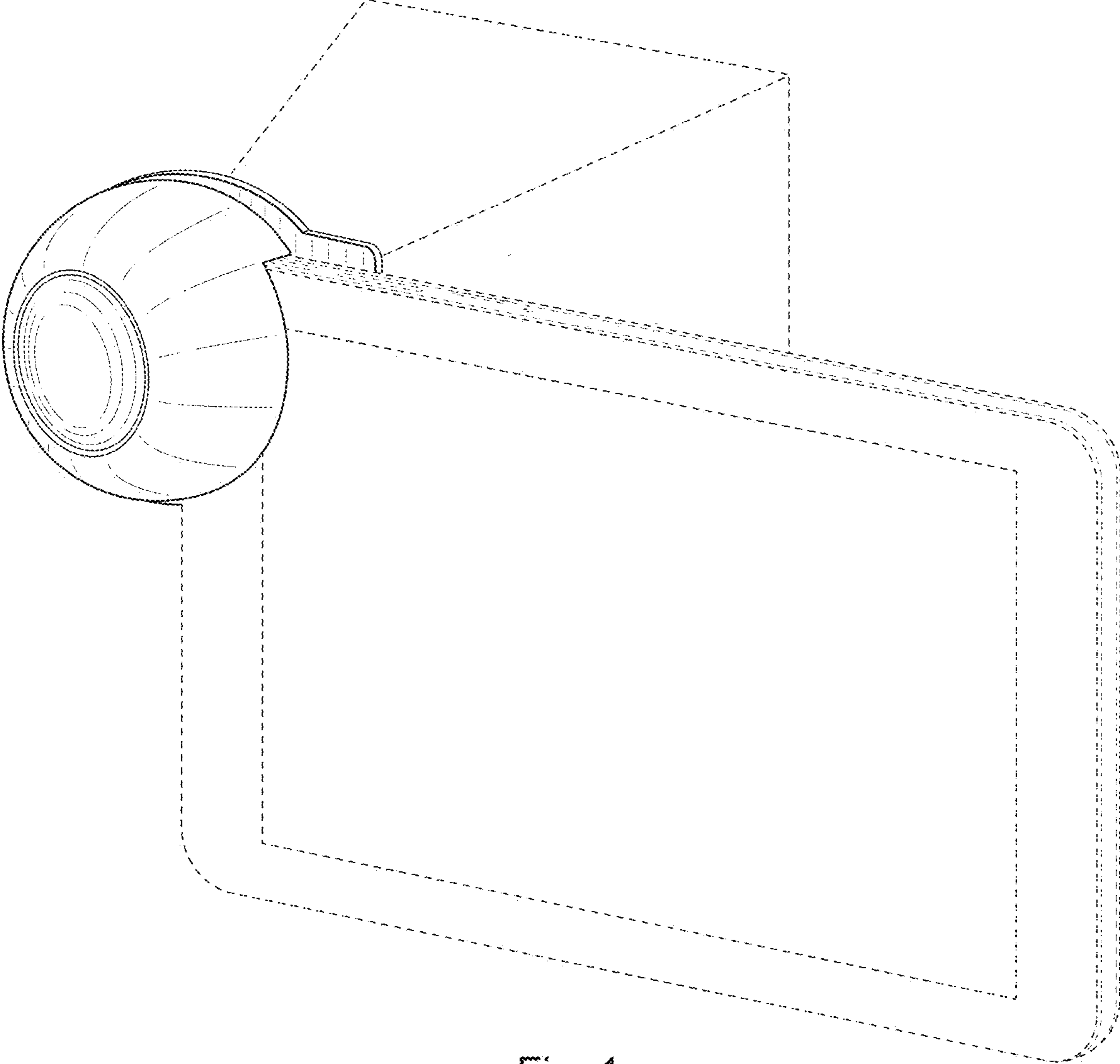


Fig. 1

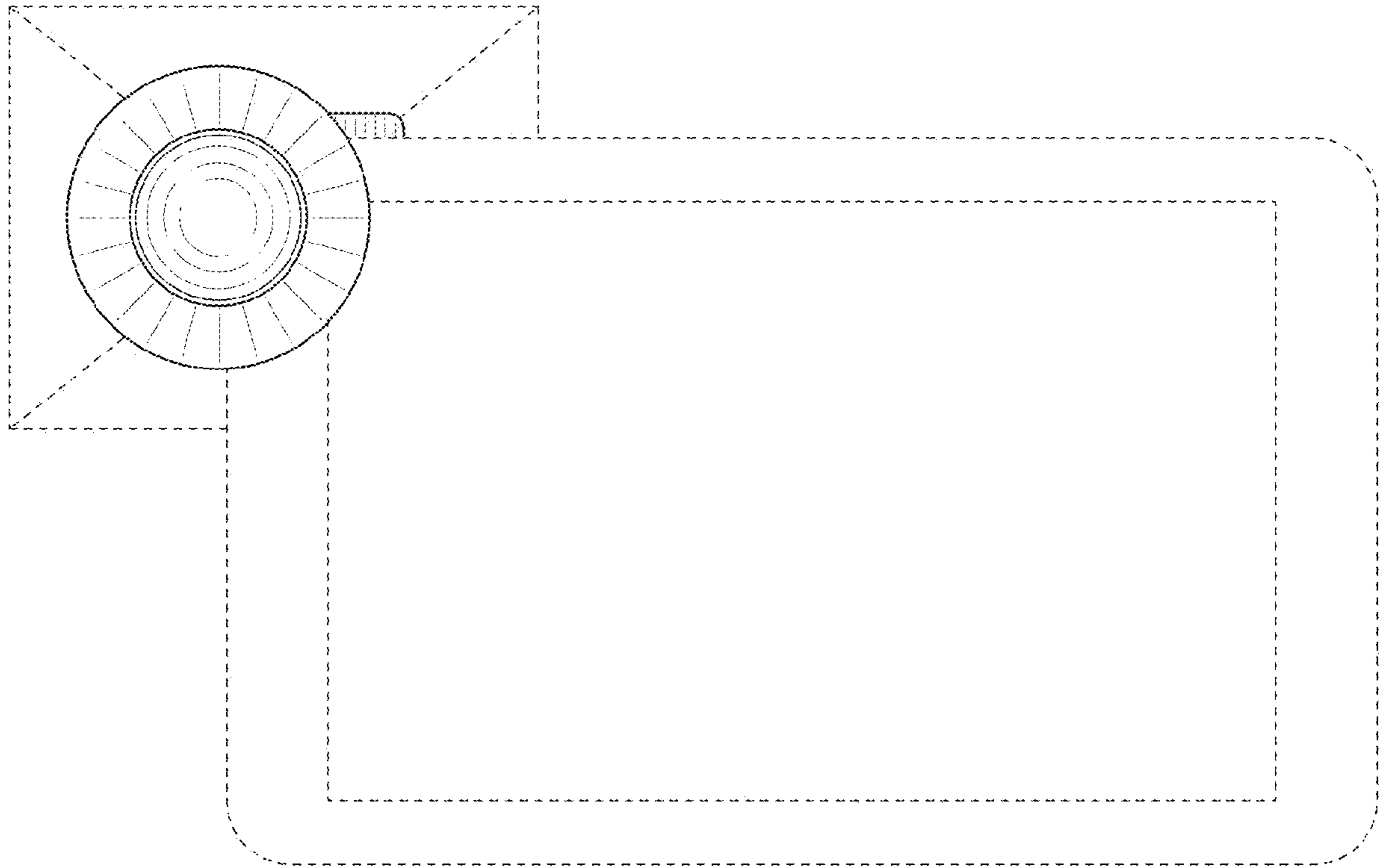


Fig. 2

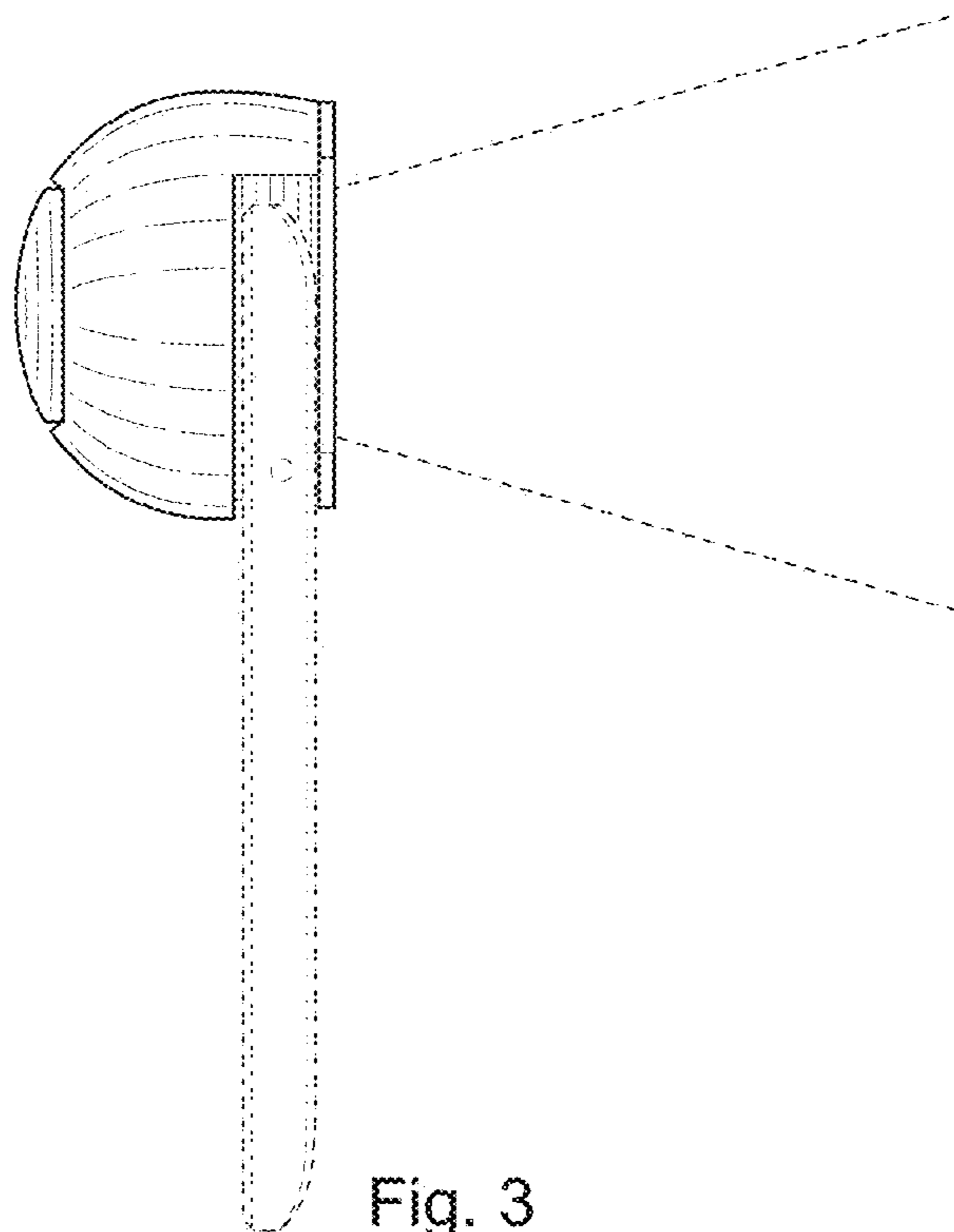


Fig. 3

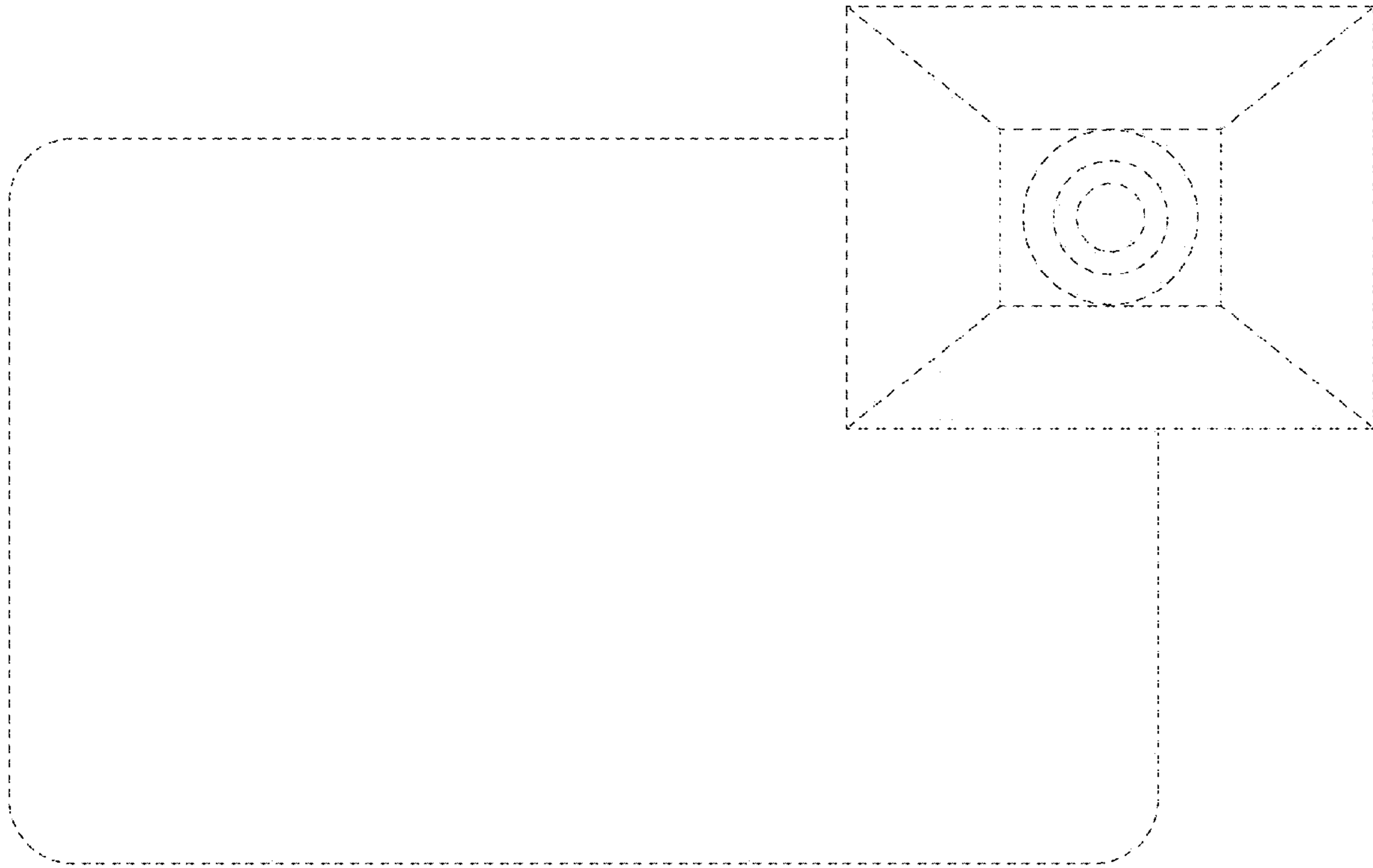


Fig. 4

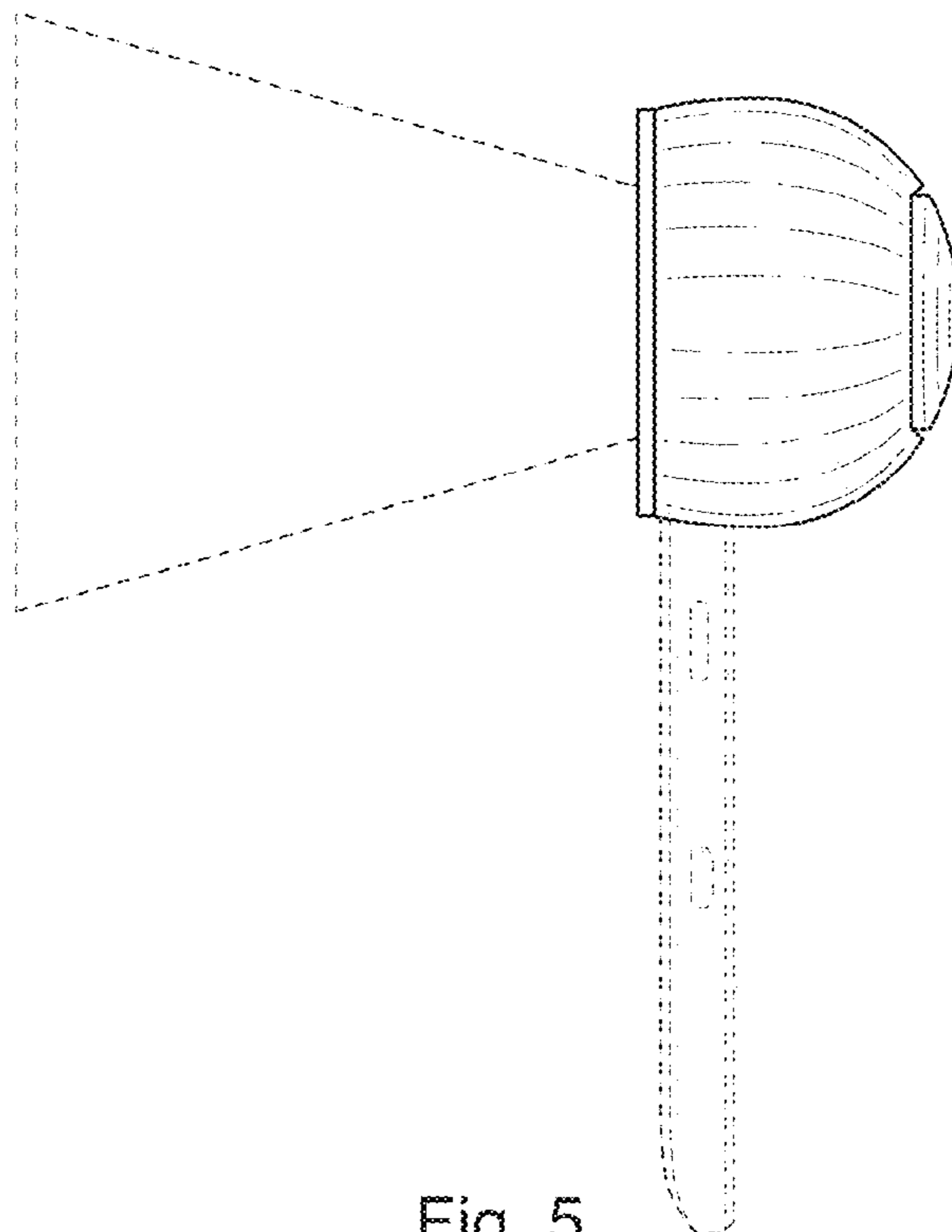


Fig. 5

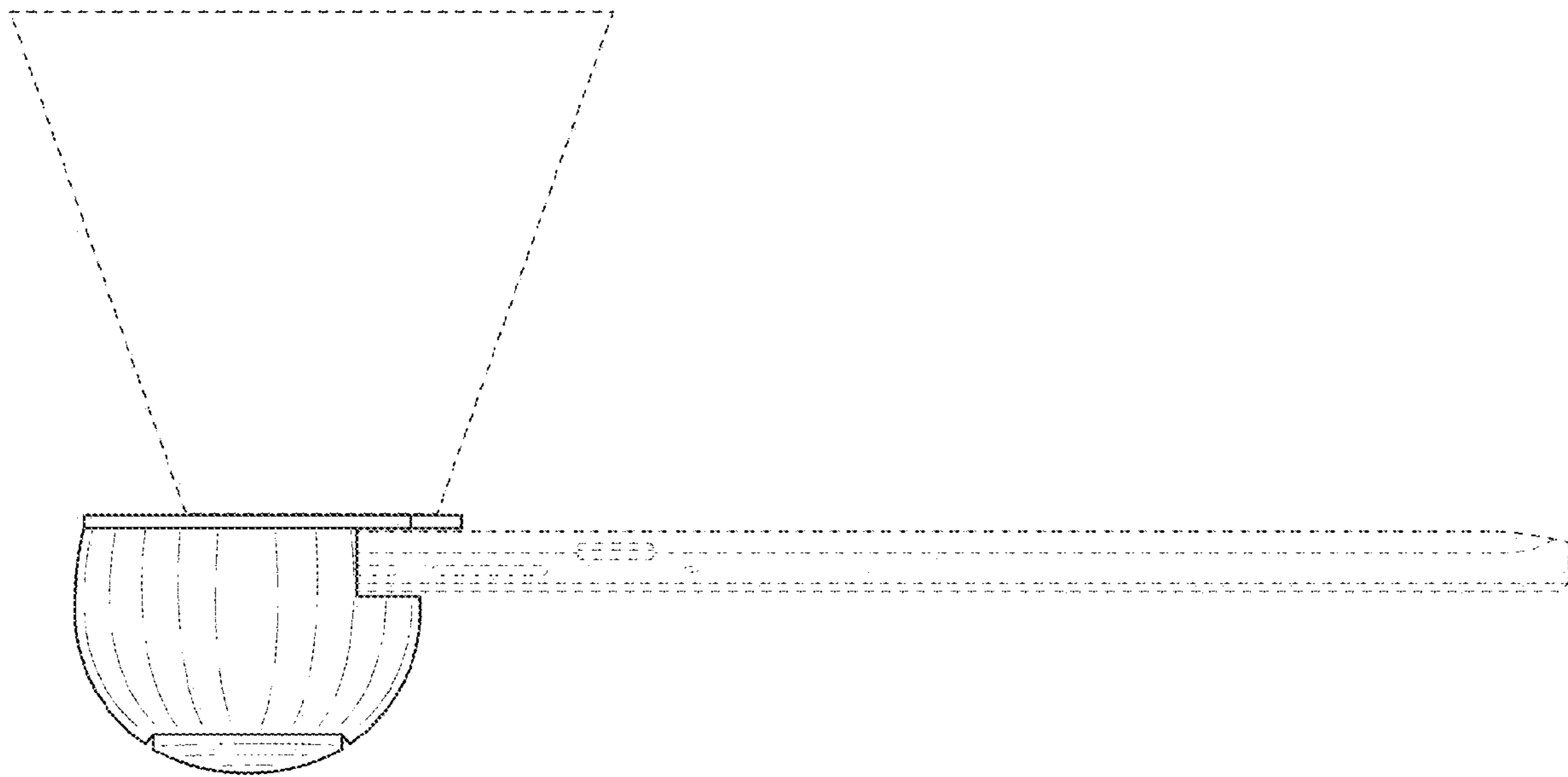


Fig. 6

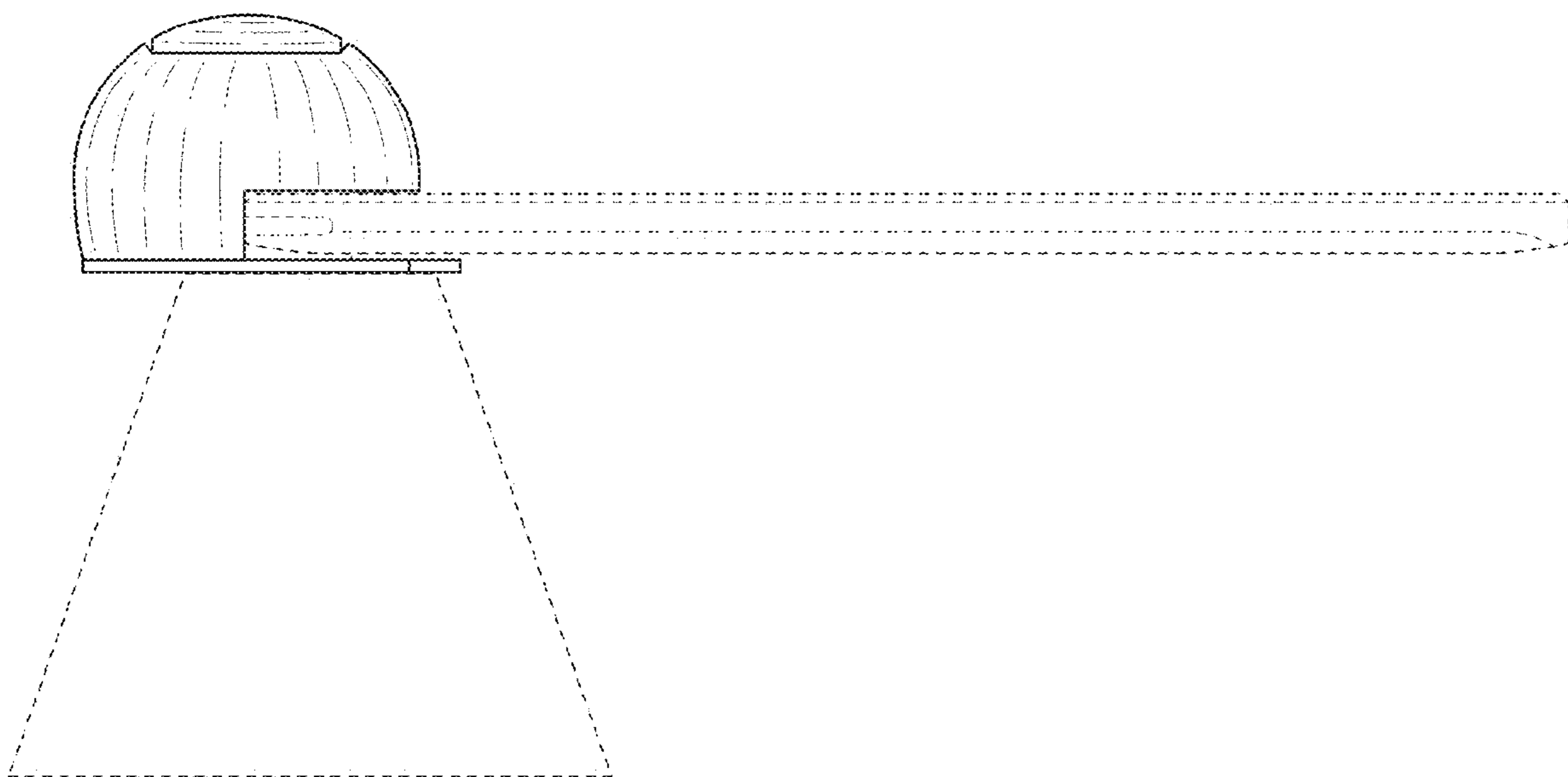


Fig. 7