



US00D876515S

(12) **United States Design Patent** (10) **Patent No.:** **US D876,515 S**  
**Collryd et al.** (45) **Date of Patent:** **\*\* Feb. 25, 2020**

(54) **MONITORING CAMERA**

(71) Applicant: **Axis AB**, Lund (SE)

(72) Inventors: **Stefan Collryd**, Lund (SE); **Olaf Hoyer**, Lund (SE); **Andreas Hertzman**, Helsingborg (SE); **Mattias Uttke**, Lund (SE); **Malte Bokvist**, Lund (SE); **Jonas Sjogren**, Lund (SE); **Mathias Walter**, Arlov (SE); **Mariano Vozzi**, Malmo (SE)

(73) Assignee: **AXIS AB**, Lund (SE)

(\*\*) Term: **15 Years**

(21) Appl. No.: **29/712,040**

(22) Filed: **Nov. 5, 2019**

**Related U.S. Application Data**

(62) Division of application No. 29/666,118, filed on Oct. 10, 2018.

**Foreign Application Priority Data**

Apr. 10, 2018 (EM) ..... 005228590

(51) **LOC (12) Cl.** ..... **16-01**

(52) **U.S. Cl.**  
USPC ..... **D16/203**; D16/219

(58) **Field of Classification Search**  
USPC ..... D16/200, 202–208, 218, 219, 242;  
348/143, 148, 151, 373–376; 396/419,  
396/427, 535, 539–541  
CPC ..... G03B 17/02; G03B 19/04; G03B 17/56;  
G03B 17/04; G03B 15/03; H04N 5/2251;  
H04N 5/2252; H04N 5/2253; H04N  
5/2254; H04N 7/181; H04N 7/183; H04N  
7/18; G08B 13/1963; G08B 13/19619;  
G08B 13/19632; F16M 11/04; F16M  
13/00

See application file for complete search history.

(56) **References Cited**

**U.S. PATENT DOCUMENTS**

D688,720 S *	8/2013	Yilin .....	D16/203
D729,859 S	5/2015	Shin et al.	
D751,621 S *	3/2016	Katori .....	D16/203
D752,674 S *	3/2016	Katori .....	D16/203
D772,324 S *	11/2016	Bennermark .....	D16/203
D781,169 S *	3/2017	Wang .....	D10/106.5
D786,330 S	5/2017	Tasselli et al.	
D786,725 S *	5/2017	McCormick .....	D10/106.5
D796,566 S *	9/2017	Bingleman .....	D16/203
D796,567 S *	9/2017	Bingleman .....	D16/203

(Continued)

**FOREIGN PATENT DOCUMENTS**

EM	002861161-0001	11/2015
EM	002861161-0002	11/2015

(Continued)

*Primary Examiner* — Ramzi S Almatrahi

(74) *Attorney, Agent, or Firm* — Volpe & Koenig, P.C.

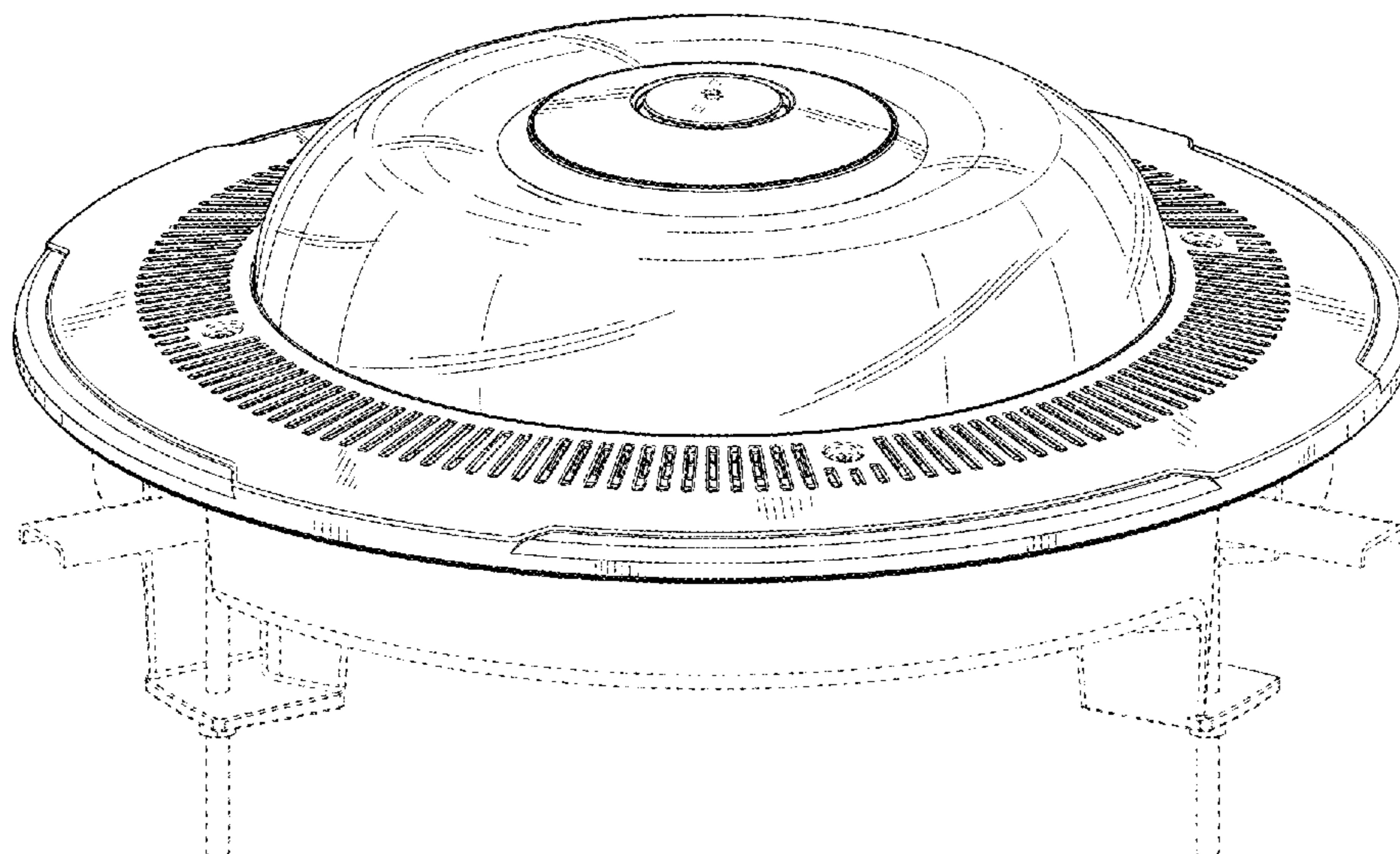
(57) **CLAIM**

The ornamental design for a monitoring camera, as shown and described.

**DESCRIPTION**

FIG. 1 is a perspective view of a monitoring camera in accordance with our design;  
FIG. 2 is a top plan view thereof;  
FIG. 3 is a front elevational view thereof;  
FIG. 4 is a rear elevational view thereof;  
FIG. 5 is a right side elevational view thereof;  
FIG. 6 is a left side elevational view thereof; and,  
FIG. 7 is a bottom plan view thereof.  
The broken lines represent portions of the monitoring camera in which the design is embodied that form no part of the claimed design.

**1 Claim, 5 Drawing Sheets**



(56)

**References Cited**

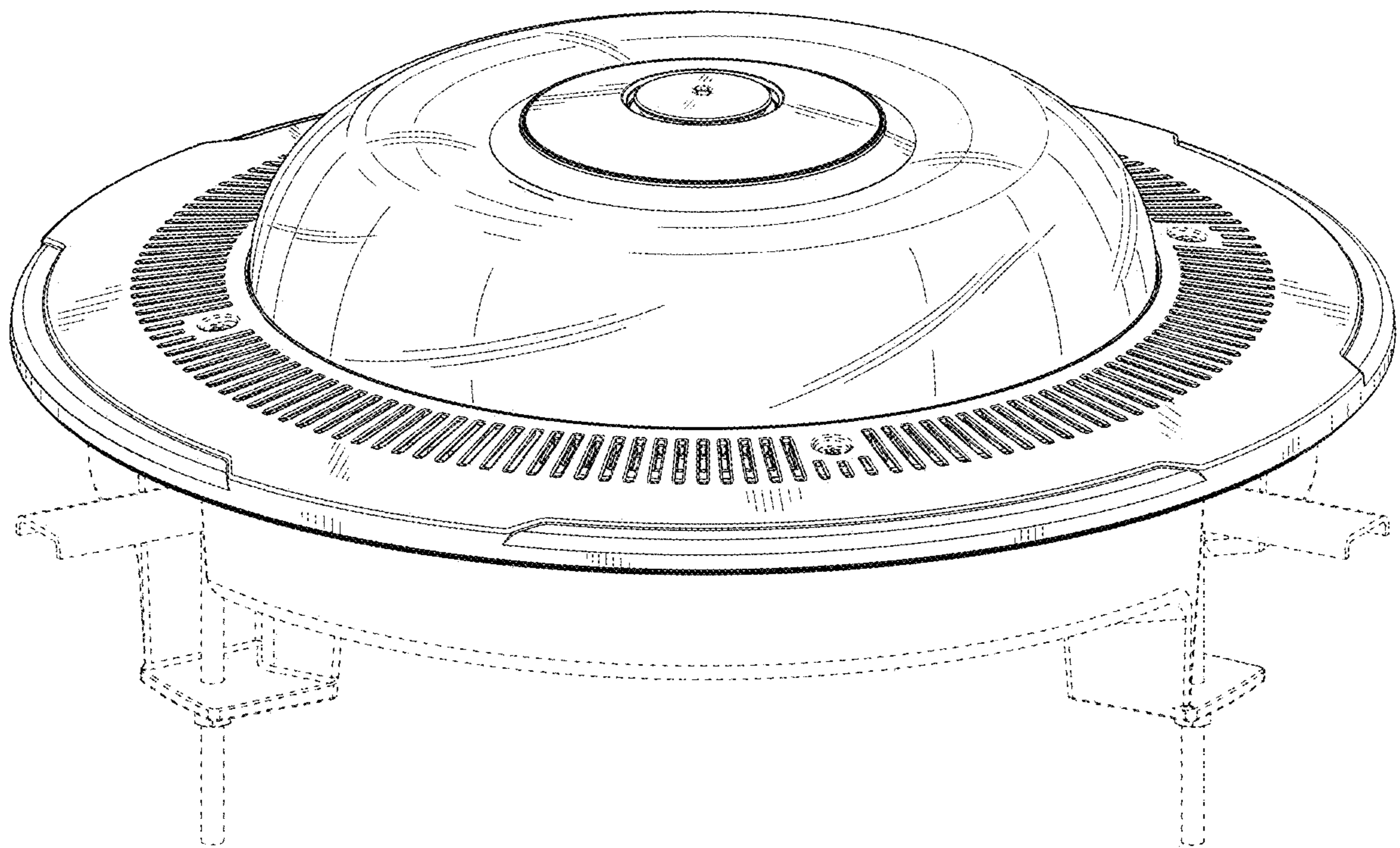
U.S. PATENT DOCUMENTS

D796,568 S \* 9/2017 Bingleman ..... D16/203  
D798,933 S \* 10/2017 Little ..... D16/203  
D811,462 S 2/2018 Axelsson et al.  
D816,755 S \* 5/2018 Barnekow ..... D16/203  
D822,088 S \* 7/2018 Park ..... D16/203  
D827,011 S \* 8/2018 Kip ..... D16/202  
2012/0092504 A1 4/2012 Murphy et al.

FOREIGN PATENT DOCUMENTS

EM 002861161-0003 11/2015  
EM 002861161-0004 11/2015  
TW D189516 4/2018  
TW D190813 6/2018  
TW D190815 6/2018

\* cited by examiner



*Fig. 1*



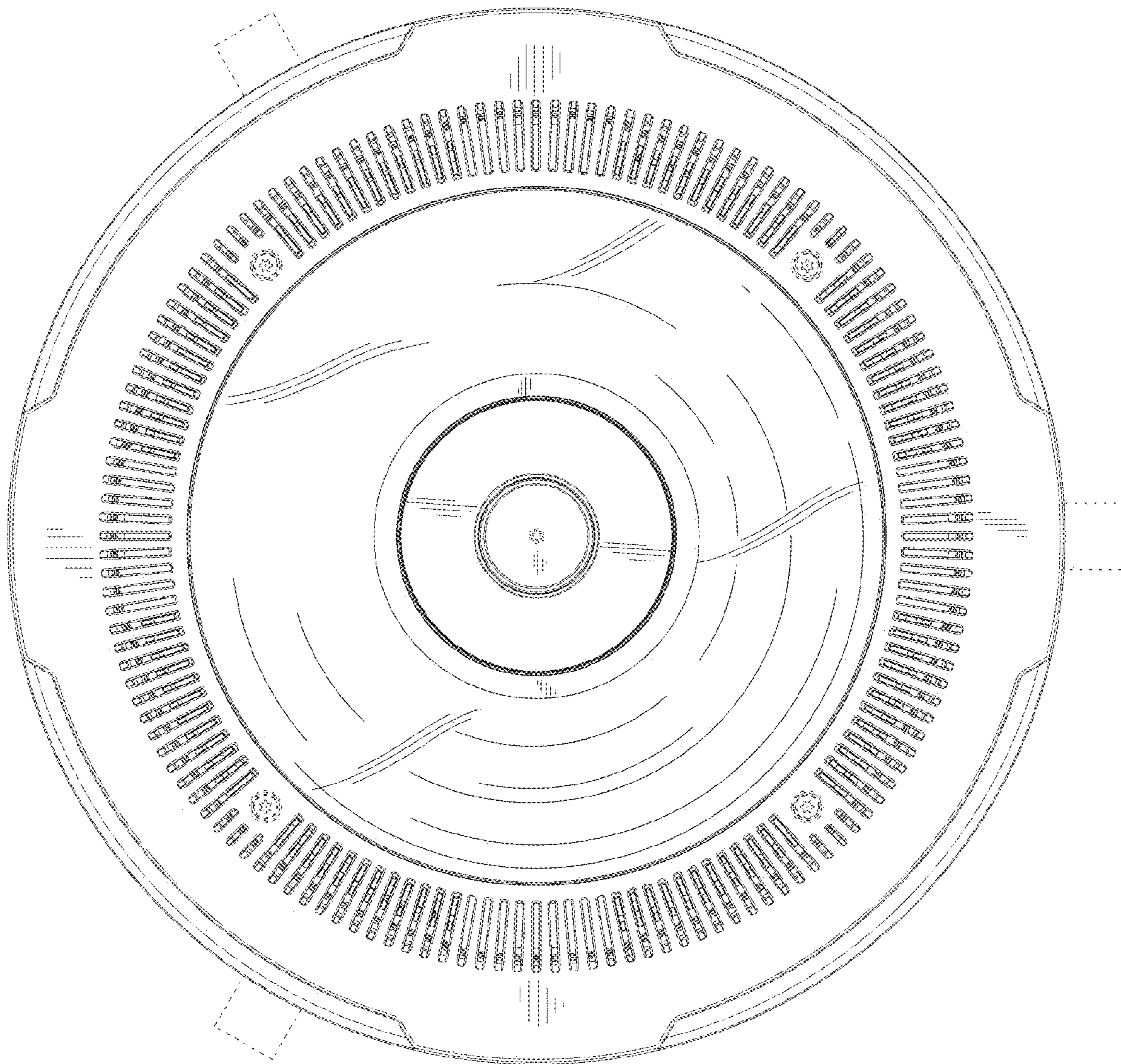
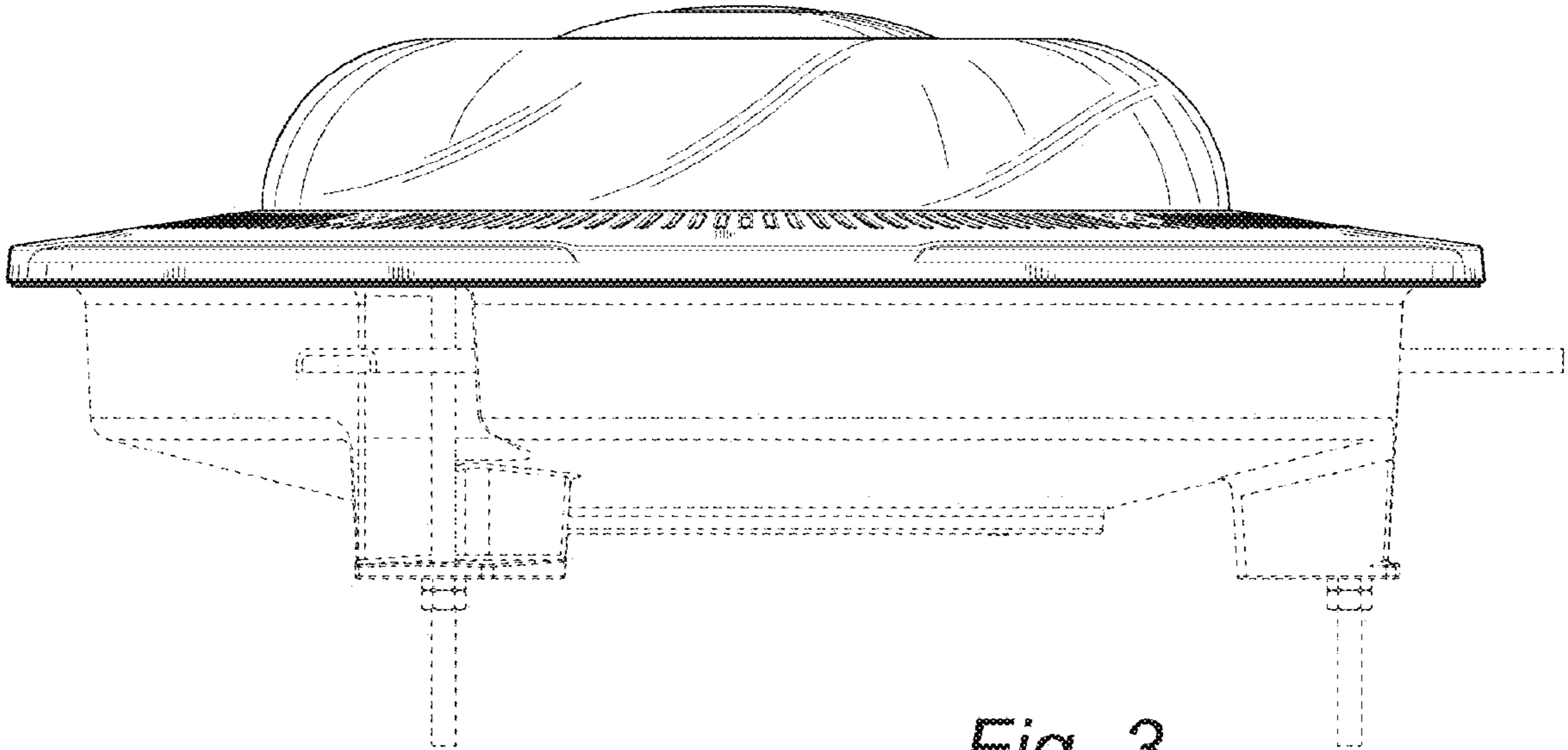
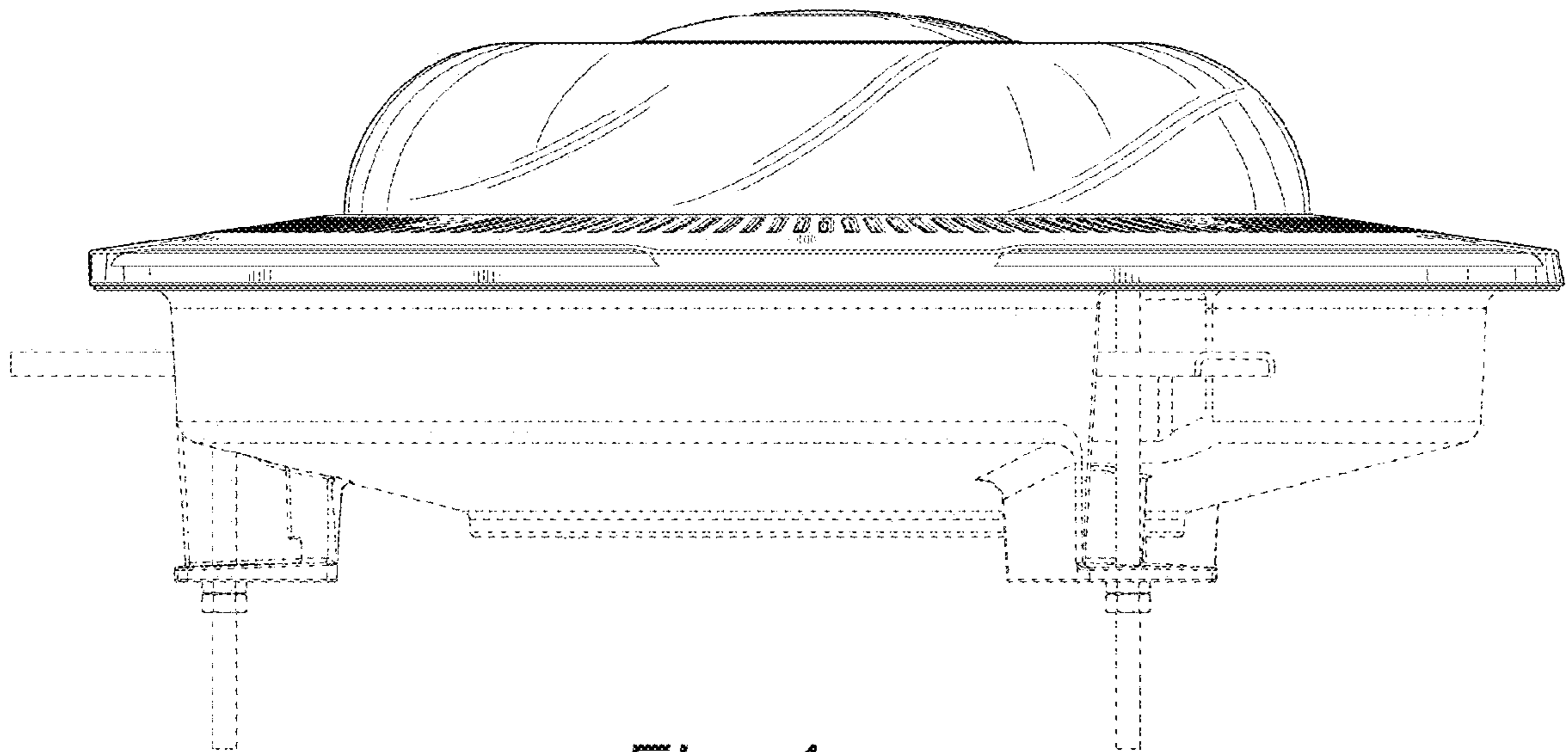


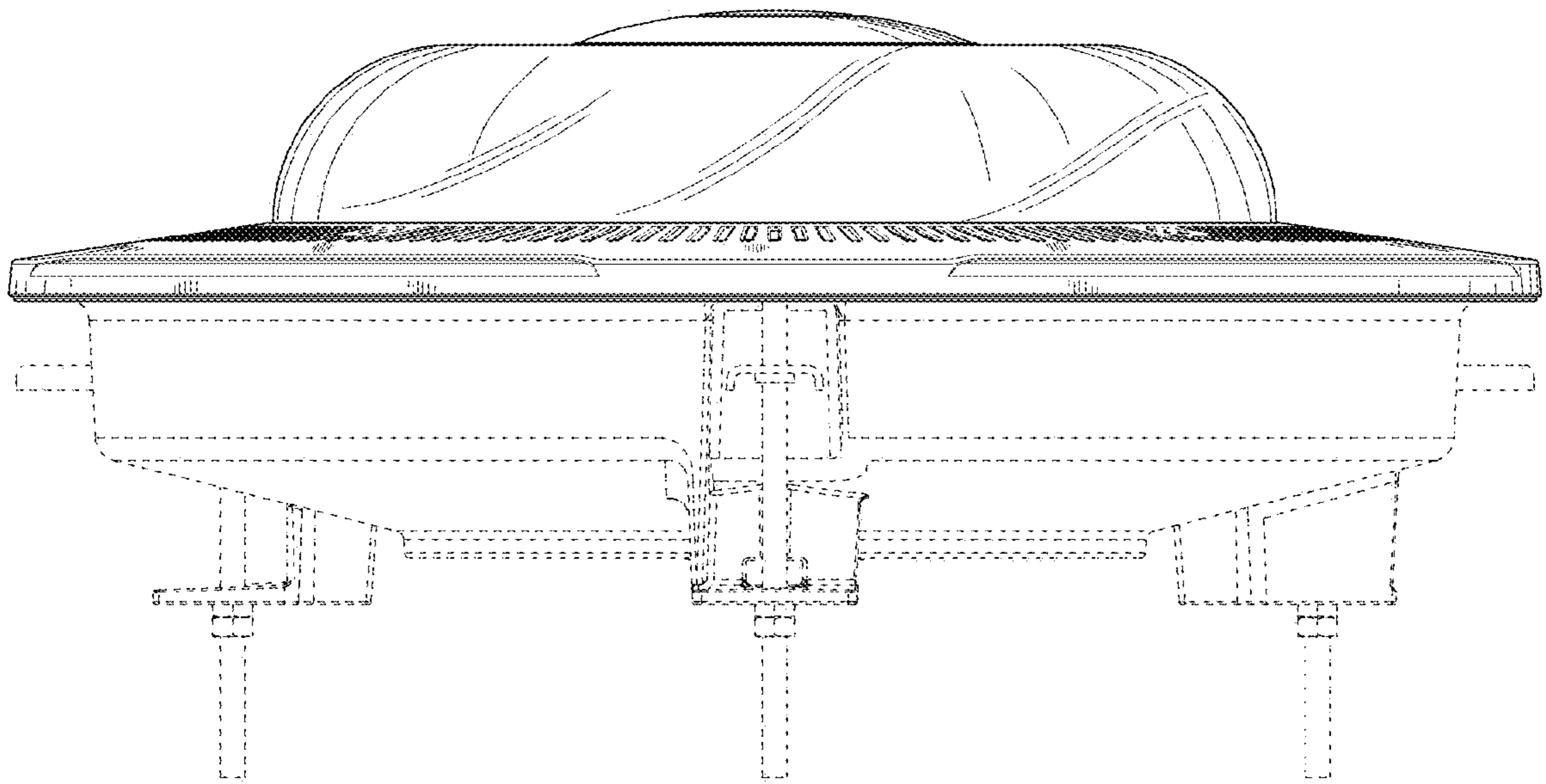
Fig. 2



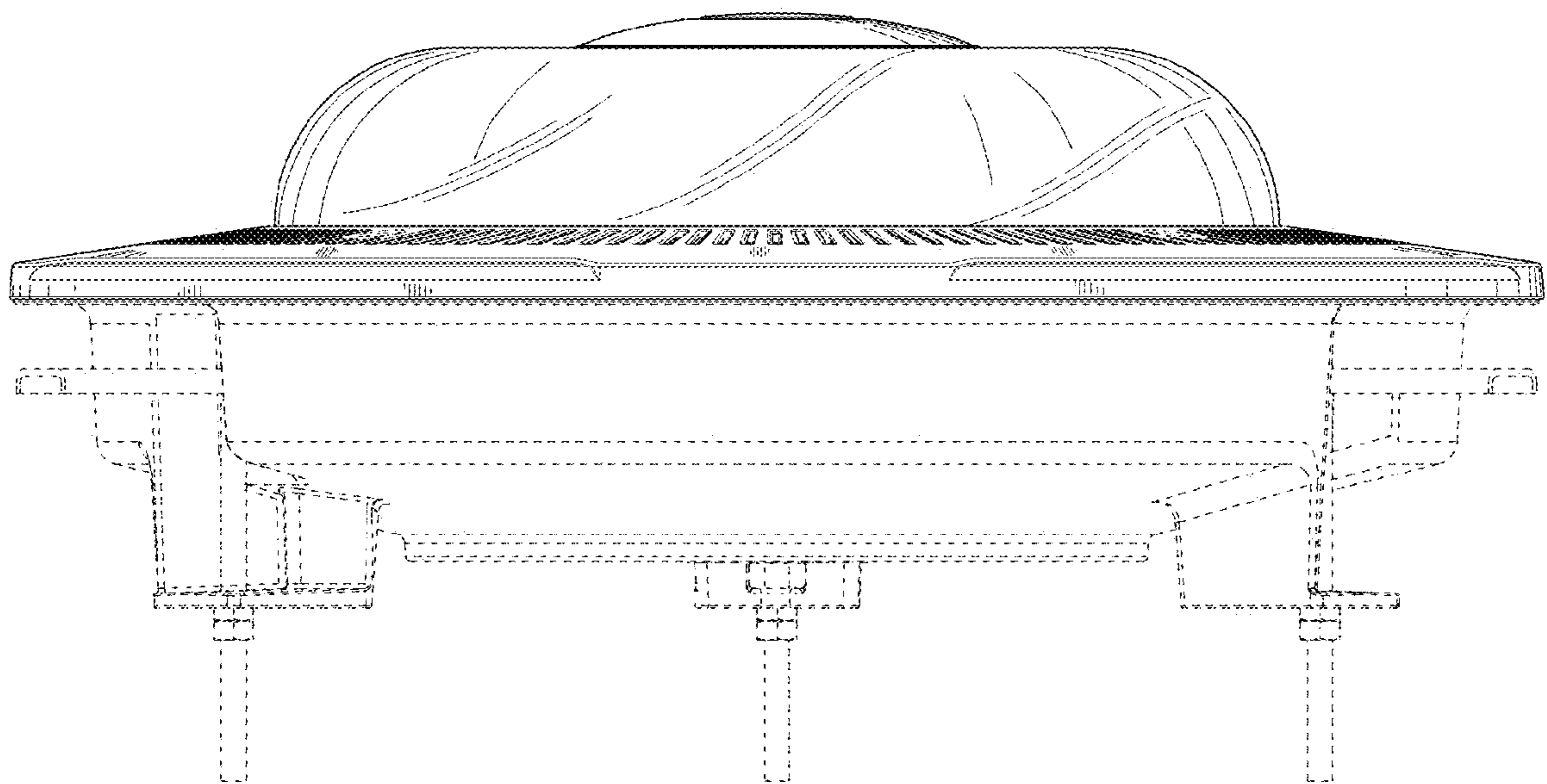
*Fig. 3*



*Fig. 4*



*Fig. 5*



*Fig. 6*



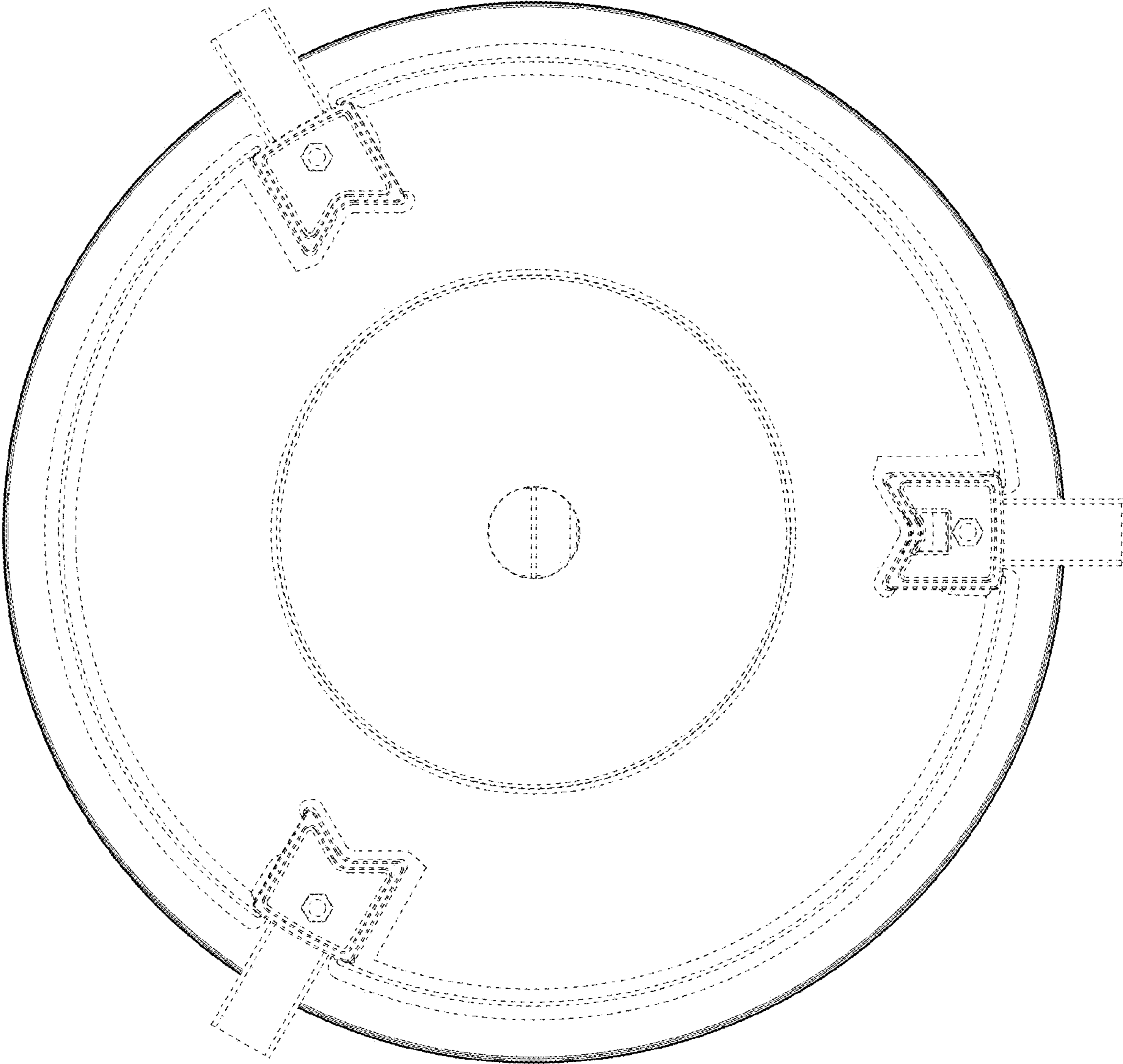


Fig. 7