



US00D876513S

(12) **United States Design Patent**
Garre et al.

(10) **Patent No.:** **US D876,513 S**

(45) **Date of Patent:** **** Feb. 25, 2020**

(54) **CAMERA**

(71) Applicant: **Axis AB**, Lund (SE)

(72) Inventors: **Per Garre**, Lund (SE); **Mats-Åke Ekbladh**, Lund (SE); **Mathias Walter**, Lund (SE); **Mariano Vozzi**, Lund (SE); **Lars Andersson**, Lund (SE); **Daniel Åhman**, Lund (SE); **Kristina Andersson**, Lund (SE)

(73) Assignee: **AXIS AB**, Lund (SE)

(**) Term: **15 Years**

(21) Appl. No.: **29/669,941**

(22) Filed: **Nov. 13, 2018**

(30) **Foreign Application Priority Data**

May 29, 2018 (EM) 005287315-0003

(51) **LOC (12) Cl.** **16-01**

(52) **U.S. Cl.**
USPC **D16/203**; D16/219

(58) **Field of Classification Search**
USPC D16/200, 202–208, 218, 219, 242;
348/143, 148, 151, 373–376; 396/419,
396/427, 535, 539–541; 248/176.1, 187.1
CPC G03B 17/02; G03B 19/04; G03B 17/56;
G03B 17/04; G03B 15/03; H04N 5/2251;
H04N 5/2252; H04N 5/2253; H04N
5/2254; H04N 7/181; H04N 7/183; H04N
7/18

See application file for complete search history.

(56) **References Cited**

U.S. PATENT DOCUMENTS

D607,033 S * 12/2009 Arbuckle D16/203
D638,871 S * 5/2011 Bergstrom D16/203
D642,607 S * 8/2011 Bergstrom D16/203

D643,454 S * 8/2011 Zaliauskas D16/202
D684,619 S * 6/2013 Chapple D16/203
D748,710 S * 2/2016 Bergstrom D16/203
D812,670 S * 3/2018 Andersson D16/203
D826,305 S * 8/2018 Ahman D16/203
D827,013 S * 8/2018 Ahman D16/203
D832,330 S * 10/2018 Ahman D16/203
D835,697 S * 12/2018 Andersson D16/203
D836,149 S * 12/2018 Ahman D16/203
D848,505 S * 5/2019 Bull D16/203

FOREIGN PATENT DOCUMENTS

EM 000249354 4/2004
EM 001198376 3/2010
EM 001199376 3/2010
EM 001298327 10/2011
EM 002655027 3/2015
EM 003255710 6/2016
EM 003421262 10/2016

* cited by examiner

Primary Examiner — Ramzi S Almatrahi

(74) *Attorney, Agent, or Firm* — Tucker Ellis LLP

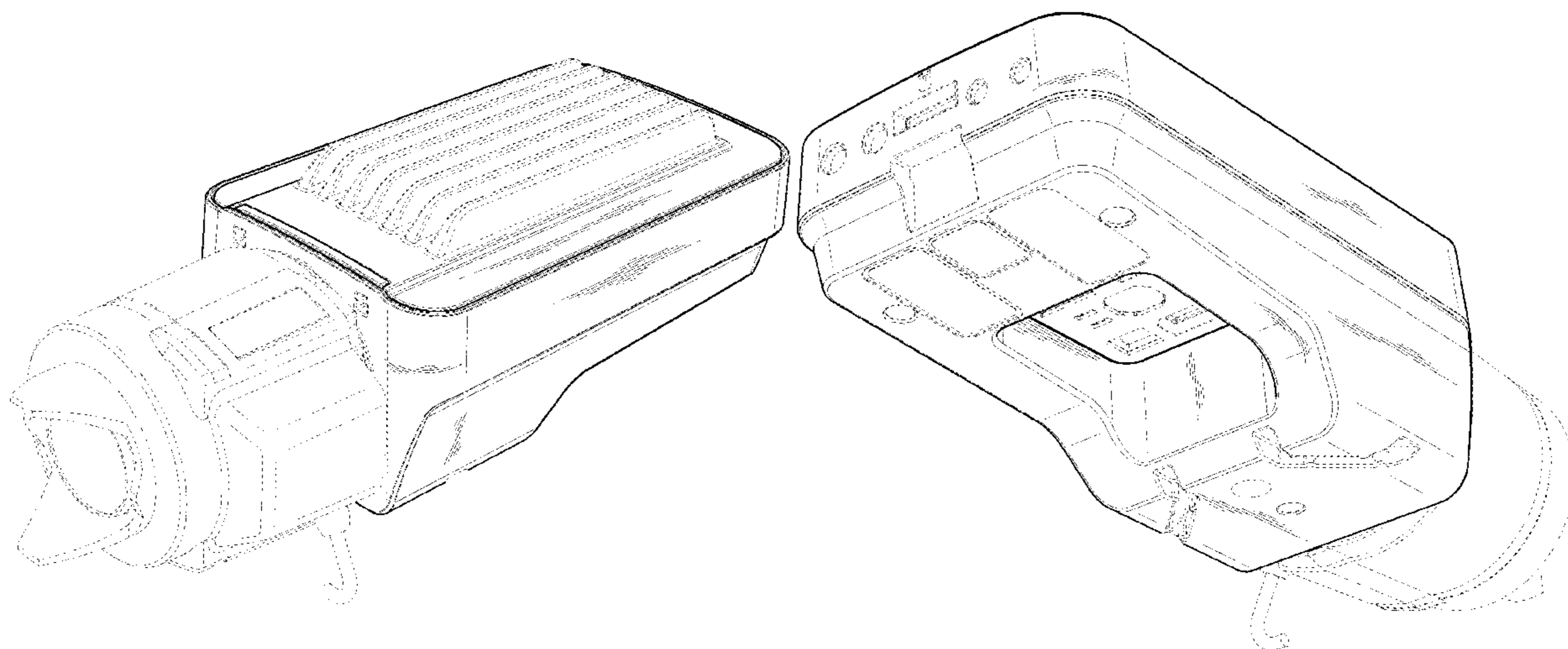
(57) **CLAIM**

The ornamental design for a camera, as shown and described.

DESCRIPTION

FIG. 1 is a front-left-top perspective view of a camera showing our new design;
FIG. 2 is a rear-right-bottom perspective view thereof;
FIG. 3 is a front view thereof;
FIG. 4 is a rear view thereof;
FIG. 5 is a left side view thereof shown in reduced scale;
FIG. 6 is a right side view thereof;
FIG. 7 is a top view thereof; and,
FIG. 8 is a bottom view thereof.
The broken lines are for the purpose of illustrating portions of the camera that form no part of the claimed design.

1 Claim, 7 Drawing Sheets



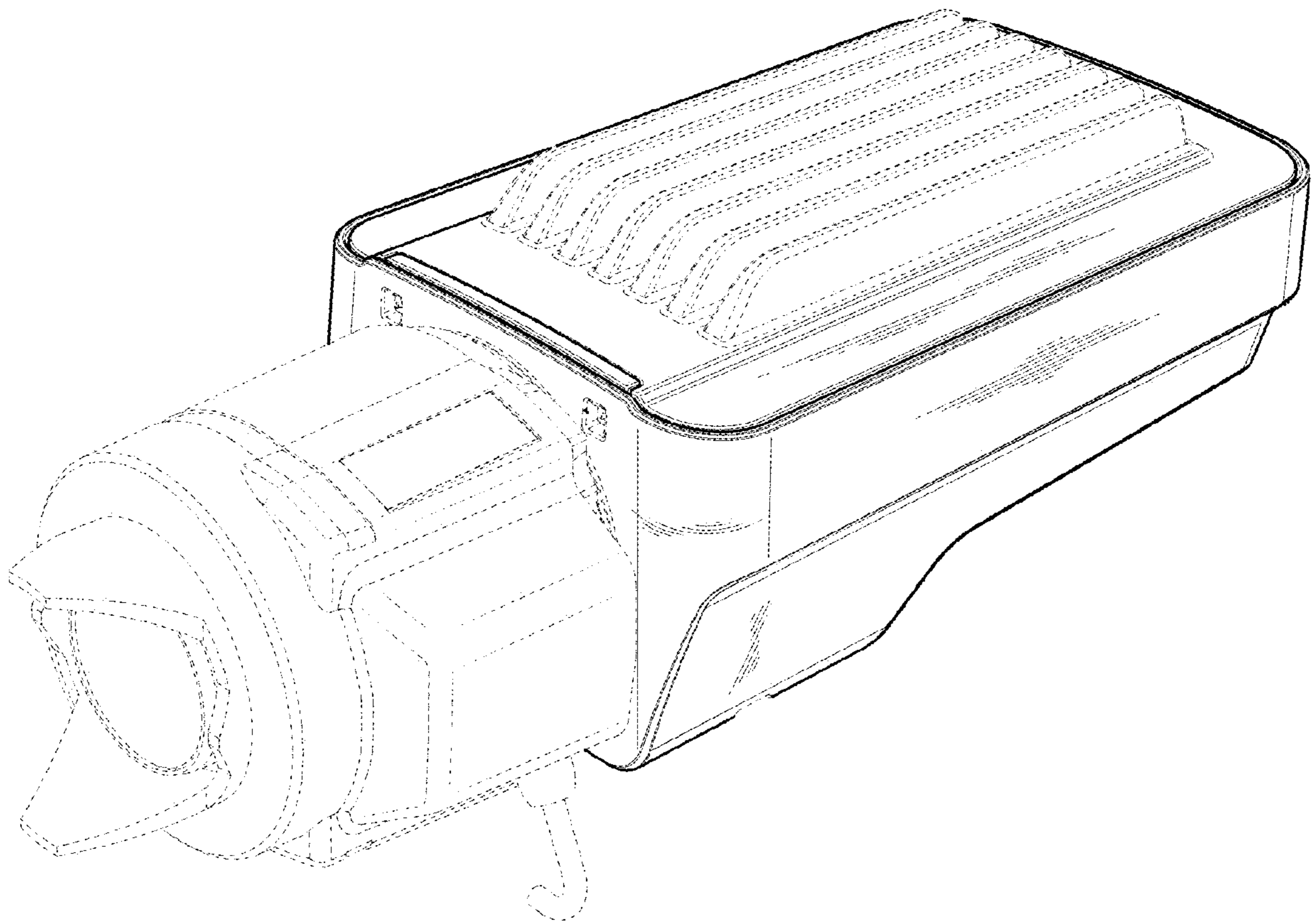


FIG. 1

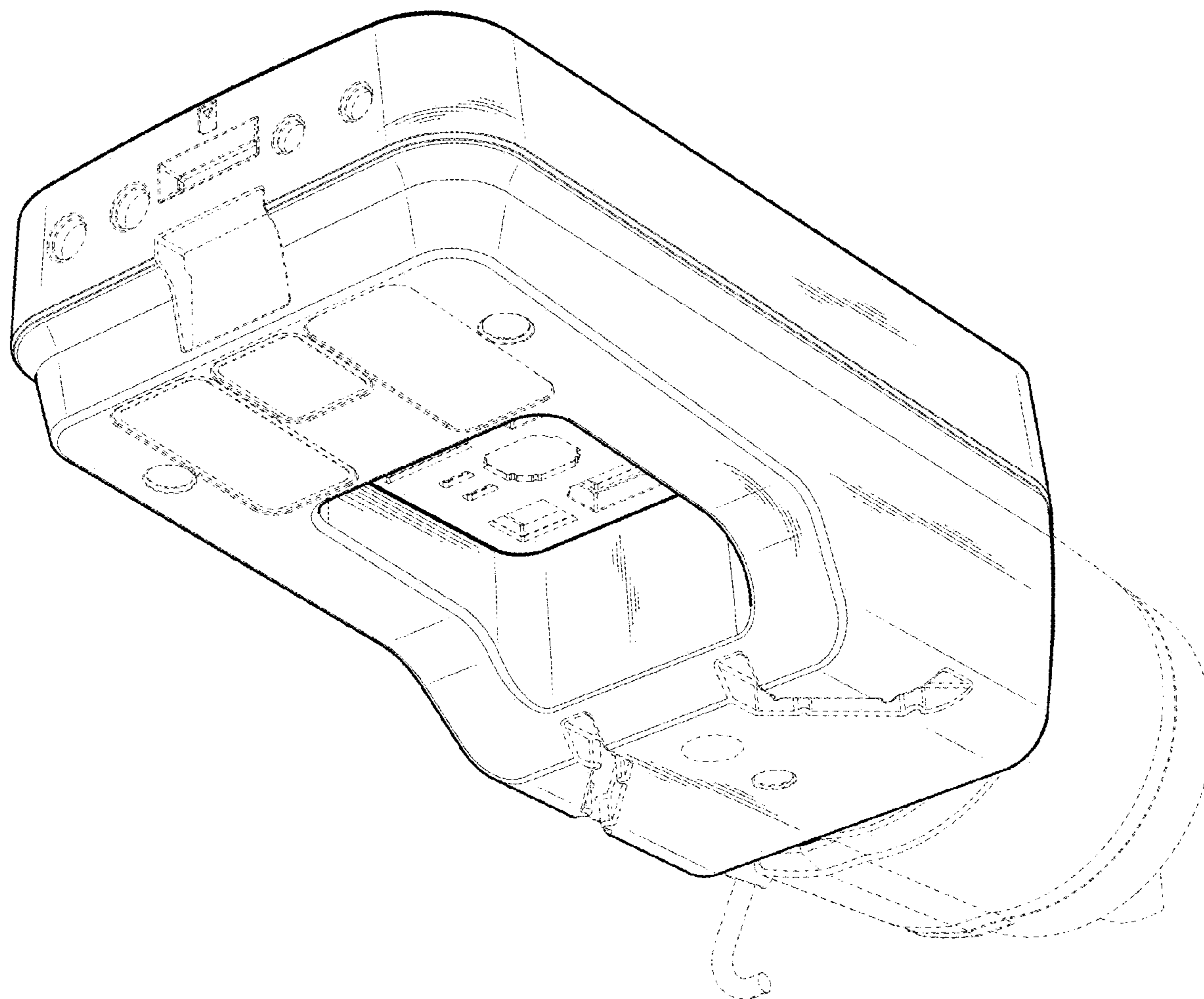


FIG. 2

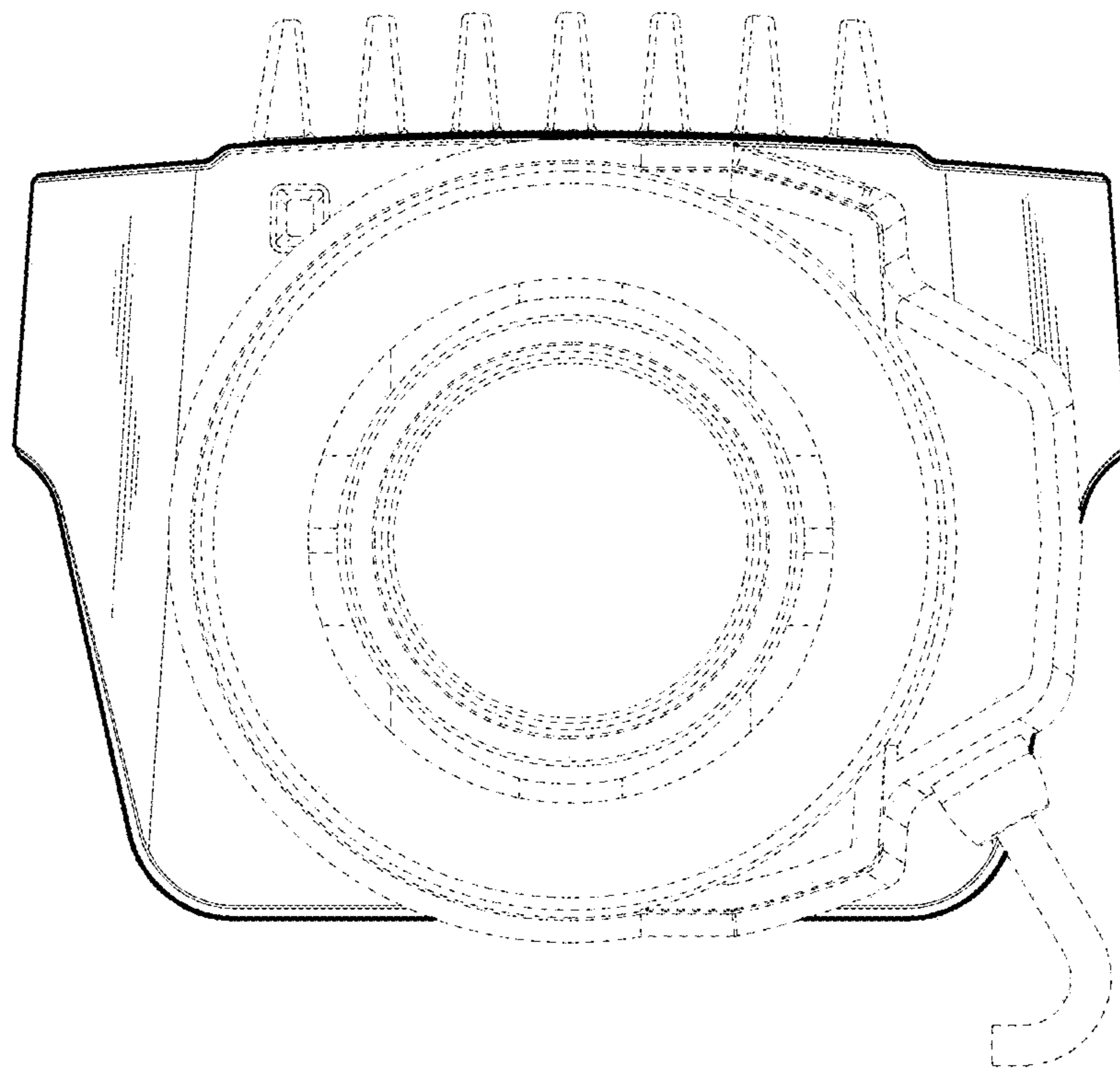


FIG. 3

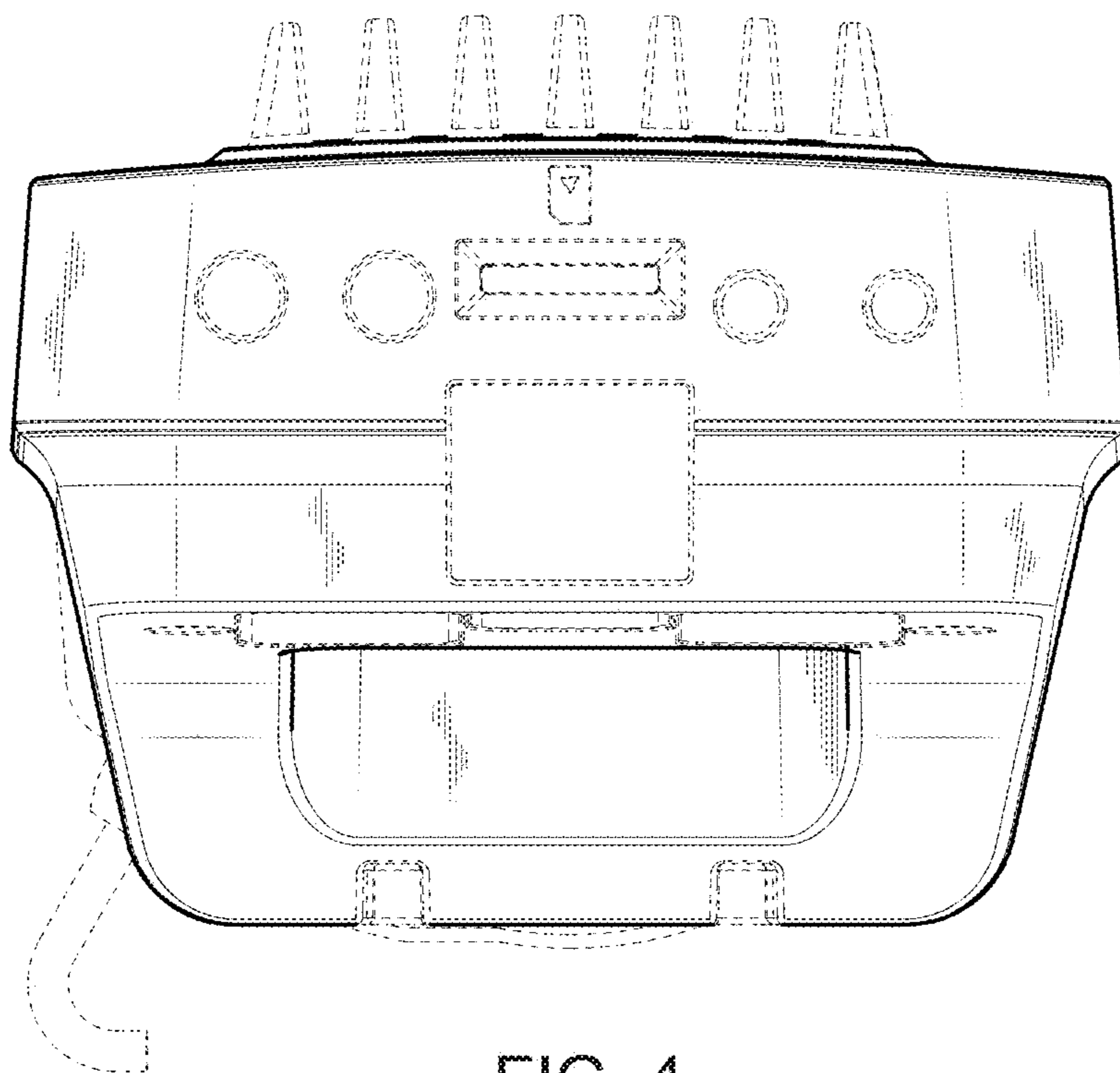


FIG. 4

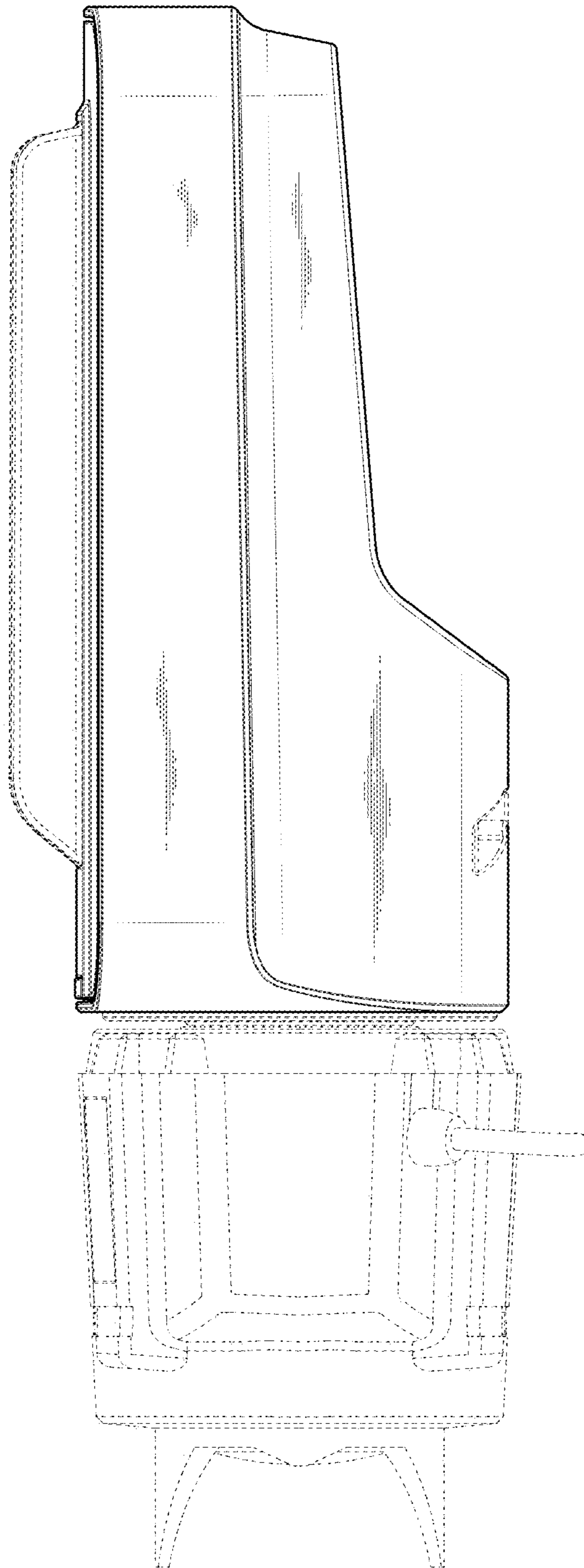


FIG. 5

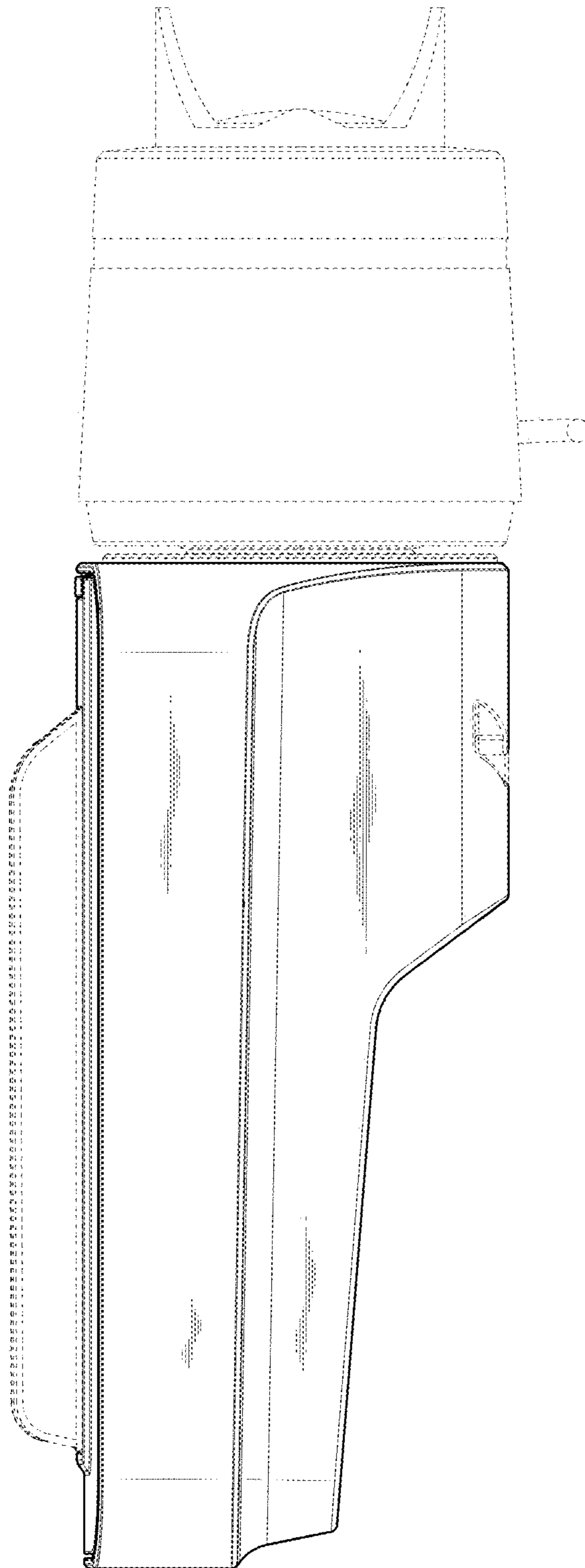


FIG. 6

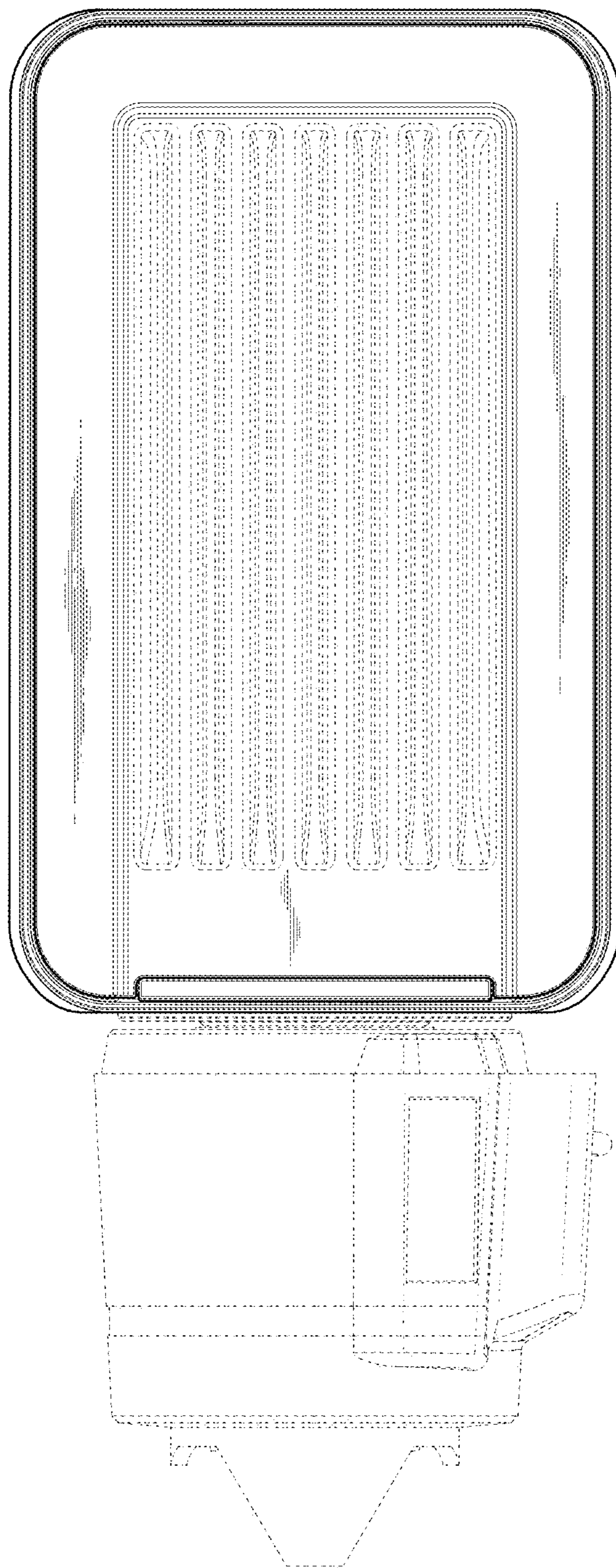


FIG. 7

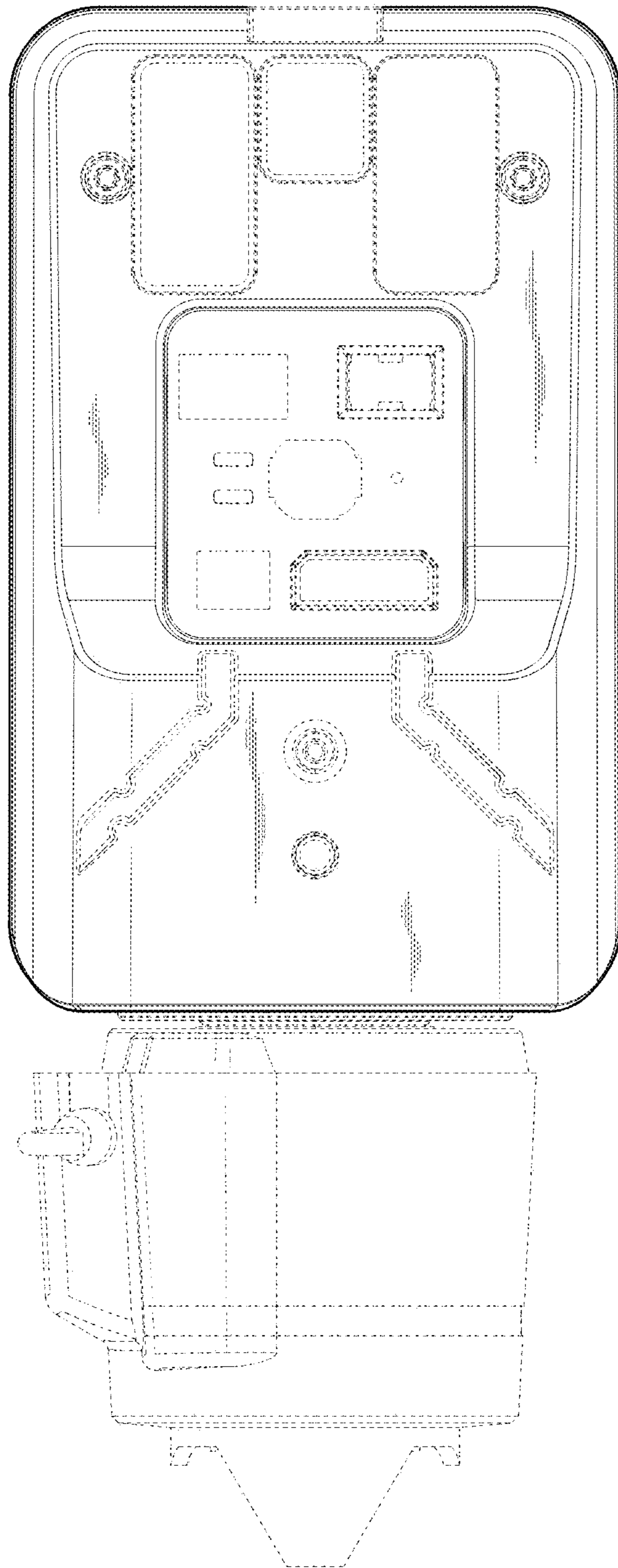


FIG. 8