



US00D876509S

(12) **United States Design Patent**  
**Walter et al.**

(10) **Patent No.:** **US D876,509 S**  
(45) **Date of Patent:** **\*\* Feb. 25, 2020**

(54) **CAMERA**

(71) Applicant: **Axis AB**, Lund (SE)

(72) Inventors: **Mathias Walter**, Lund (SE); **Morgan Johansson**, Lund (SE); **Jonna Lagerblad**, Lund (SE); **Keyloth Perez**, Lund (SE); **Peter Betmark**, Lund (SE)

(73) Assignee: **AXIS AB**, Lund (SE)

(\*\*) Term: **15 Years**

(21) Appl. No.: **29/665,098**

(22) Filed: **Sep. 30, 2018**

(30) **Foreign Application Priority Data**

Apr. 13, 2018 (EM) ..... 005233400-0001  
Apr. 13, 2018 (EM) ..... 005233400-0002

(51) **LOC (12) Cl.** ..... **16-01**

(52) **U.S. Cl.**  
USPC ..... **D16/203**

(58) **Field of Classification Search**  
USPC ..... D16/200, 202-208, 218, 219, 242;  
348/143, 148, 151, 373-376; 396/419,  
396/427, 535, 539-541; 248/176.1, 187.1  
CPC ..... G03B 17/02; G03B 19/04; G03B 17/56;  
G03B 17/04; G03B 15/03; H04N 5/2251;  
H04N 5/2252; H04N 5/2253; H04N  
5/2254; H04N 7/181; H04N 7/183; H04N  
7/18

See application file for complete search history.

(56) **References Cited**

**U.S. PATENT DOCUMENTS**

D791,849 S \* 7/2017 Zhang ..... D16/203  
D796,567 S \* 9/2017 Bingleman ..... D16/203

D796,568 S \* 9/2017 Bingleman ..... D16/203  
D798,934 S \* 10/2017 Wu ..... D16/203  
D815,173 S \* 4/2018 Hikima ..... D16/203  
D824,985 S \* 8/2018 Teachworth ..... D16/203  
D856,397 S \* 8/2019 Ahman ..... D16/219  
D861,058 S \* 9/2019 Christensson ..... D16/203  
D866,636 S \* 11/2019 Walter ..... D16/203  
D867,424 S \* 11/2019 Helaoui ..... D16/203

**FOREIGN PATENT DOCUMENTS**

EM 002877035 11/2015  
EM 003514991 12/2016  
EM 003833409 3/2017

\* cited by examiner

*Primary Examiner* — Ramzi S Almatrahi

(74) *Attorney, Agent, or Firm* — Tucker Ellis LLP

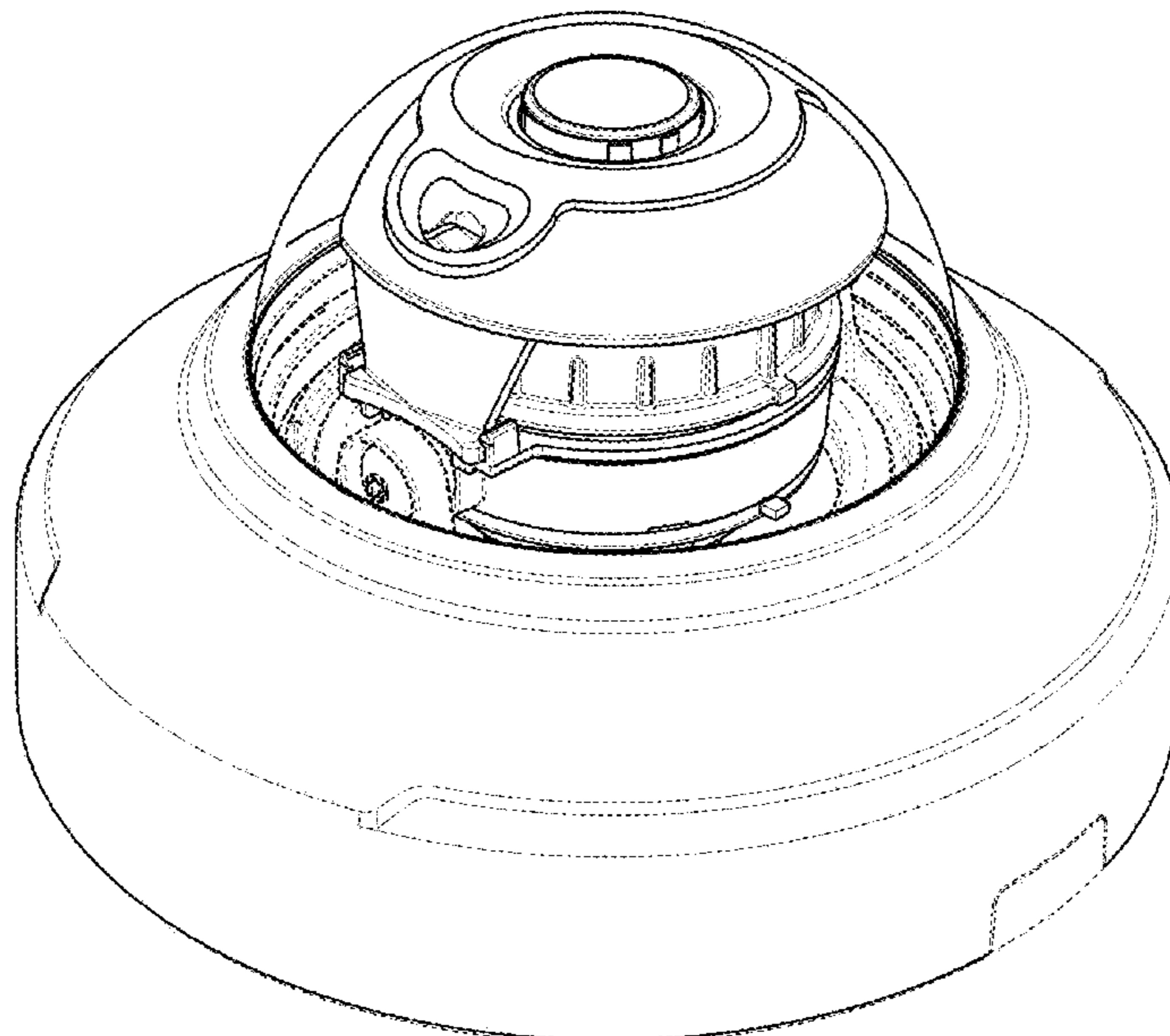
(57) **CLAIM**

The ornamental design for a camera, as shown and described.

**DESCRIPTION**

FIG. 1 is a top, front and right side perspective view of a camera showing our new design;  
FIG. 2 is a front view thereof;  
FIG. 3 is a rear view thereof;  
FIG. 4 is a right side view thereof;  
FIG. 5 is a left side view thereof;  
FIG. 6 is a top plan view thereof; and,  
FIG. 7 is a bottom plan view thereof.  
The broken lines are for the purpose of illustrating portions of the camera that form no part of the claimed design.

**1 Claim, 5 Drawing Sheets**



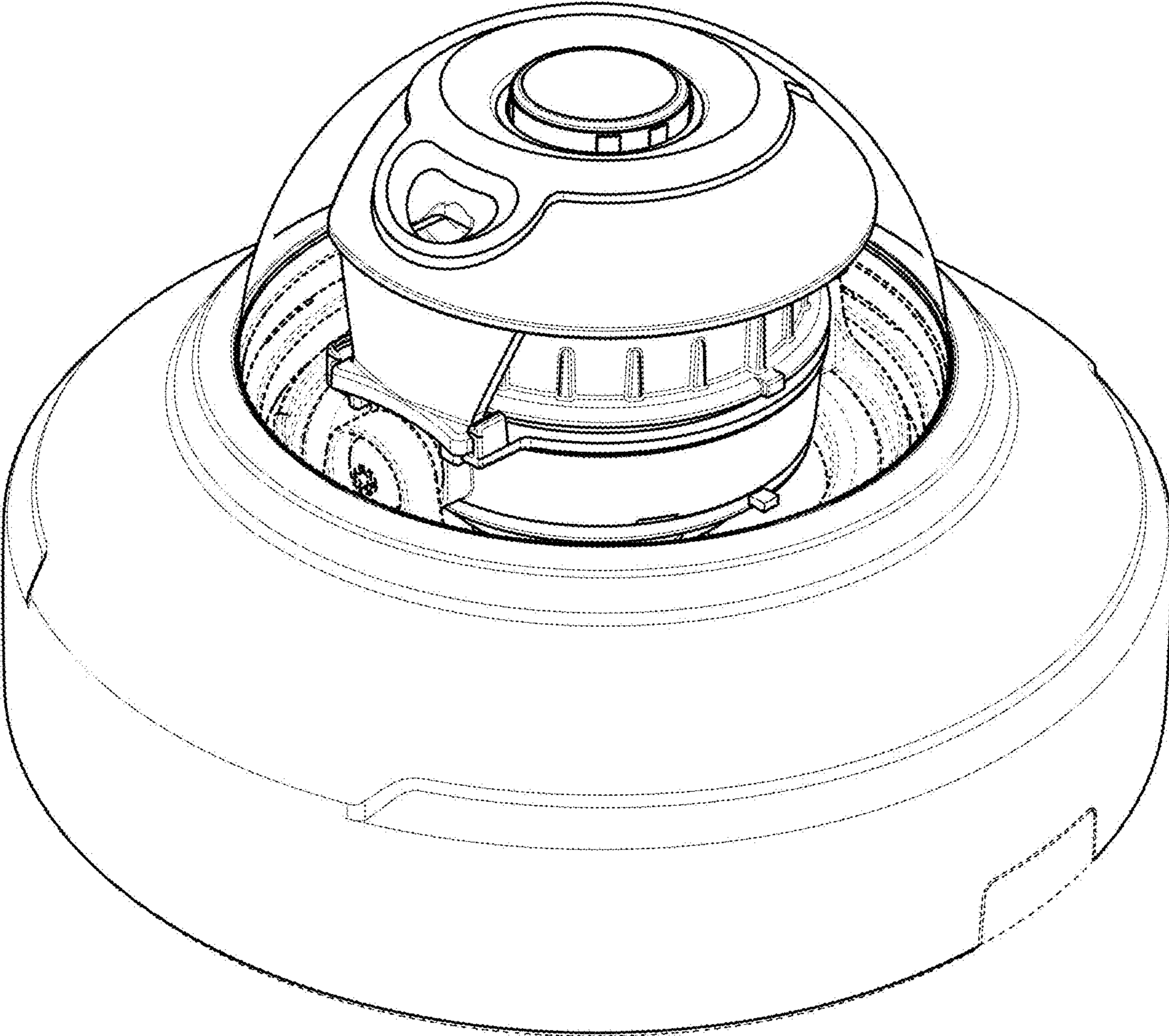


FIG. 1

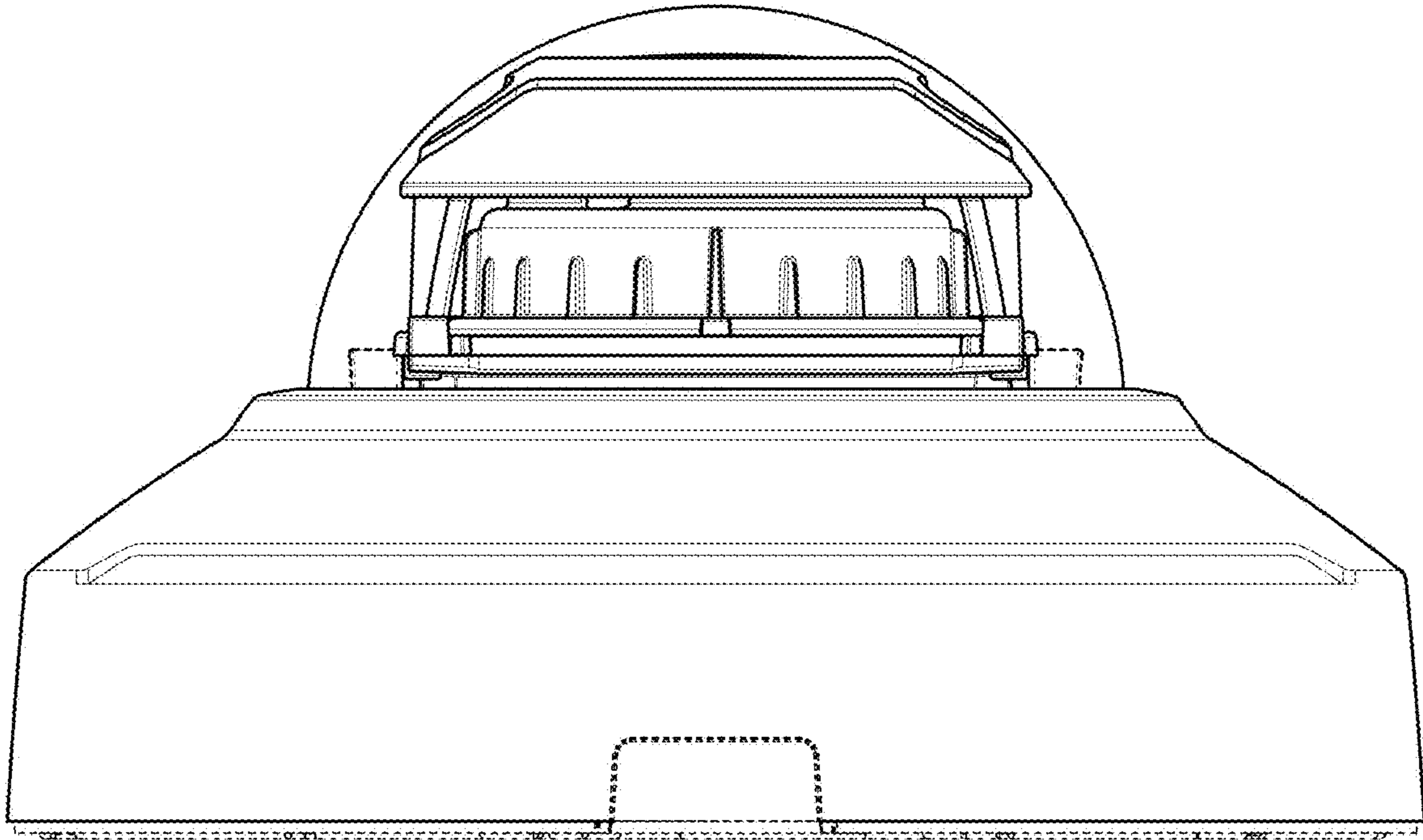


FIG. 2

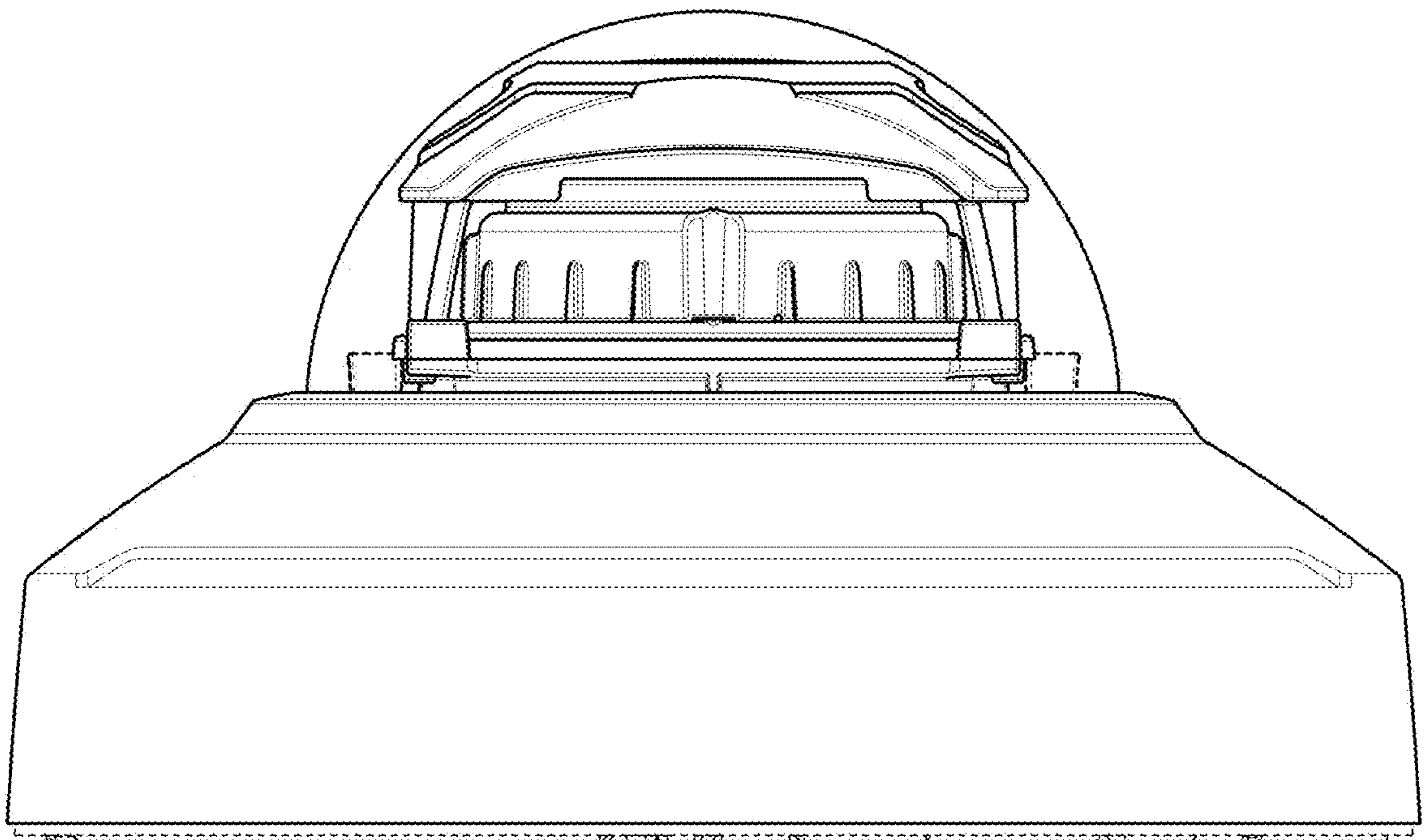


FIG. 3

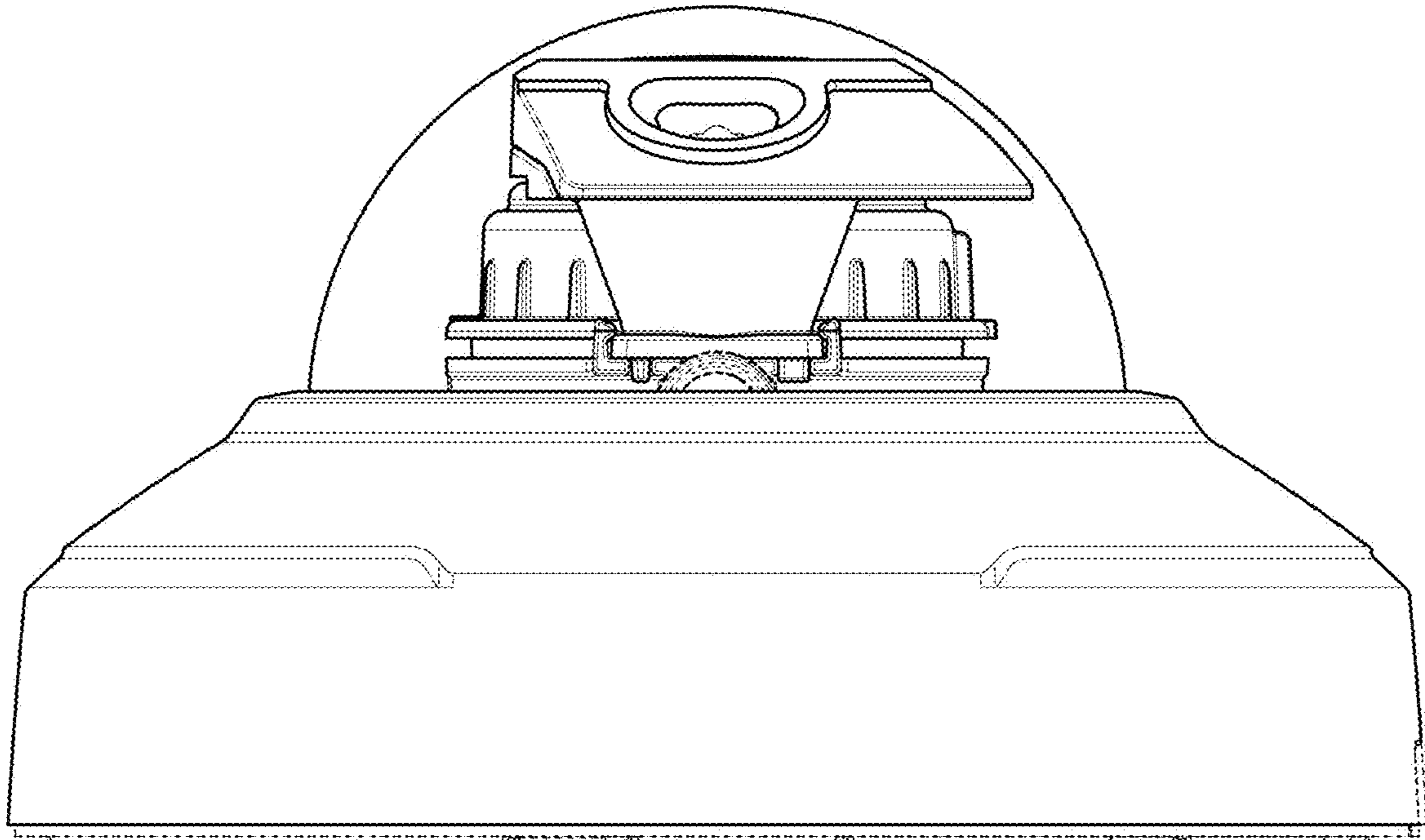


FIG. 4

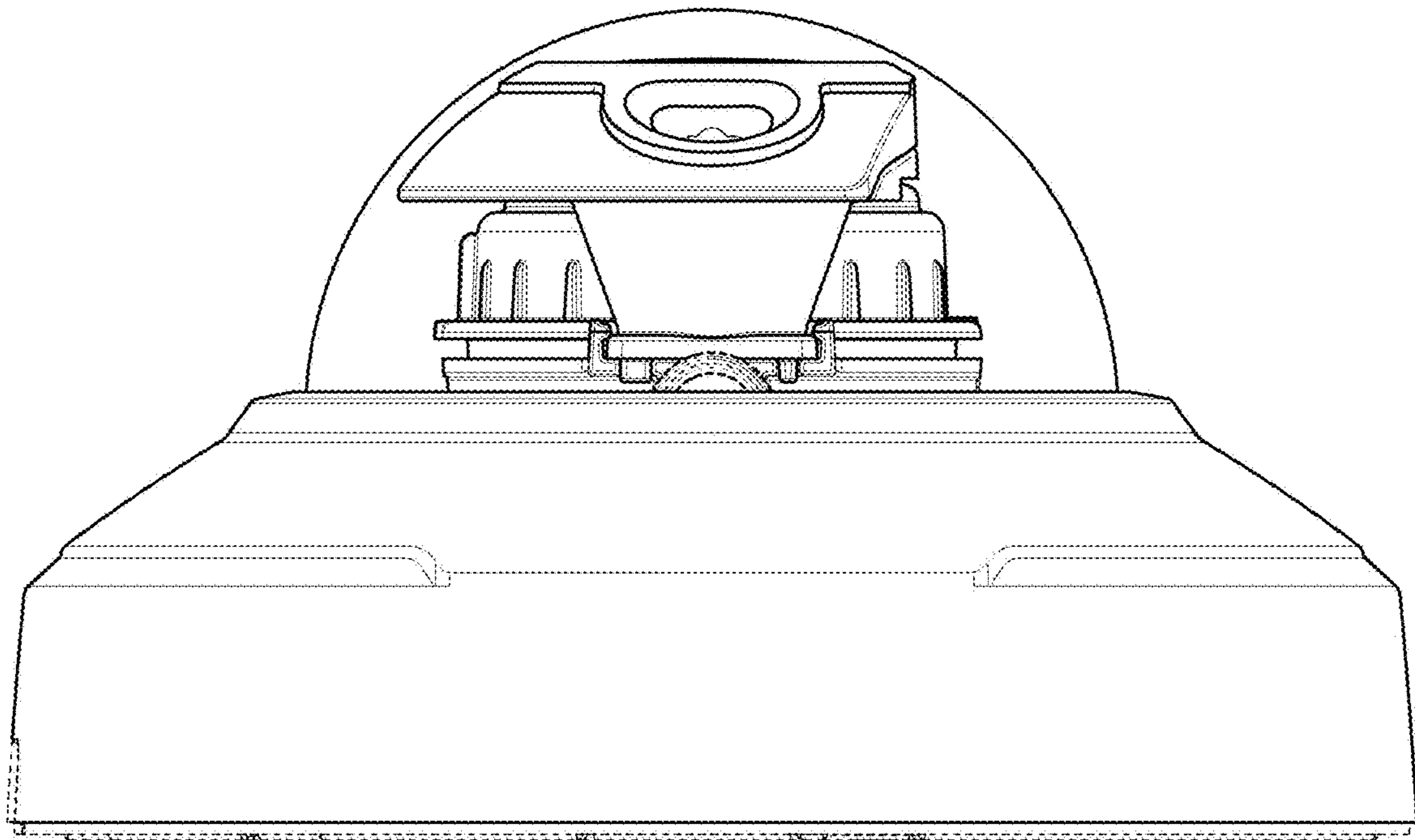


FIG. 5

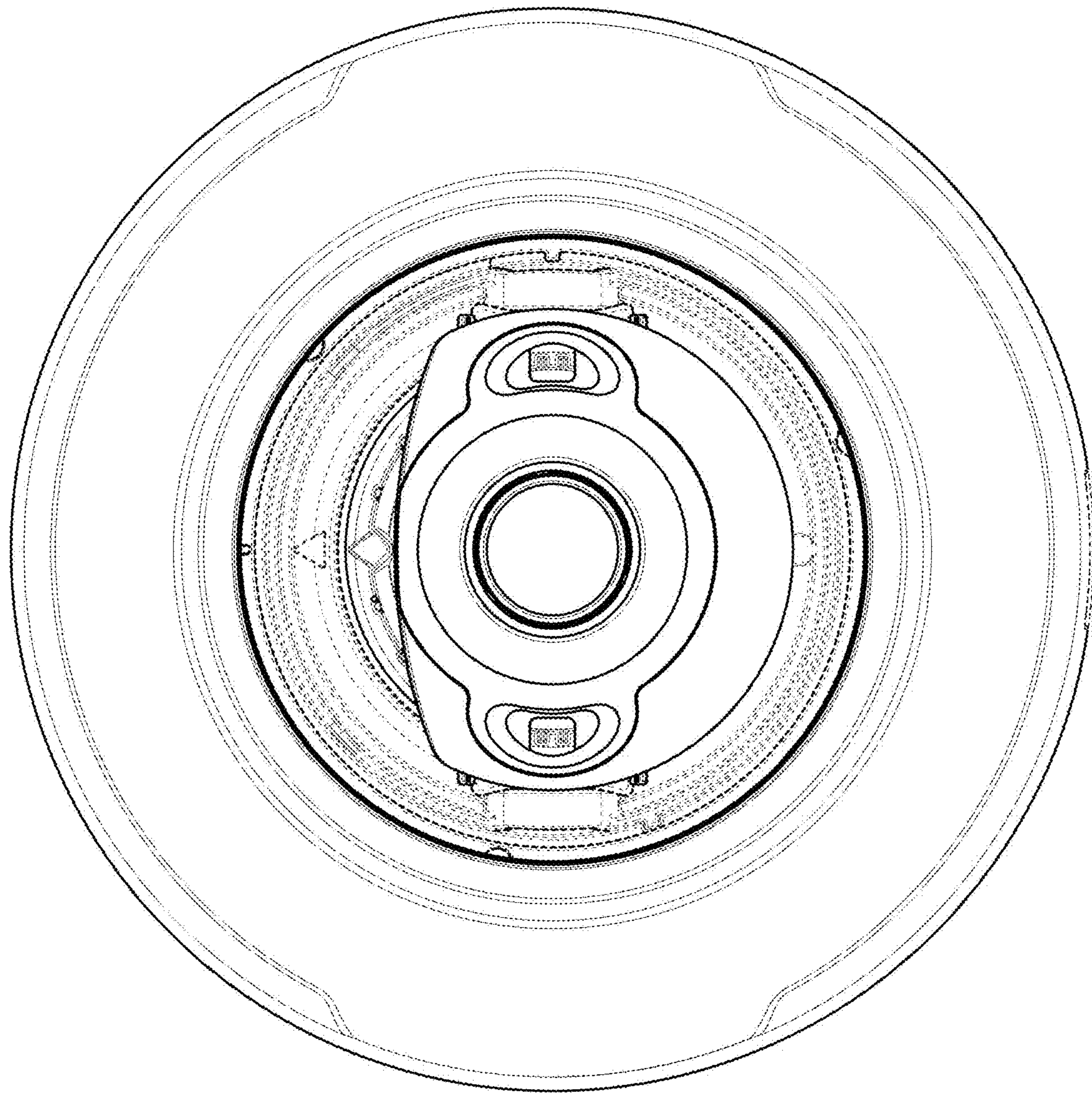


FIG. 6

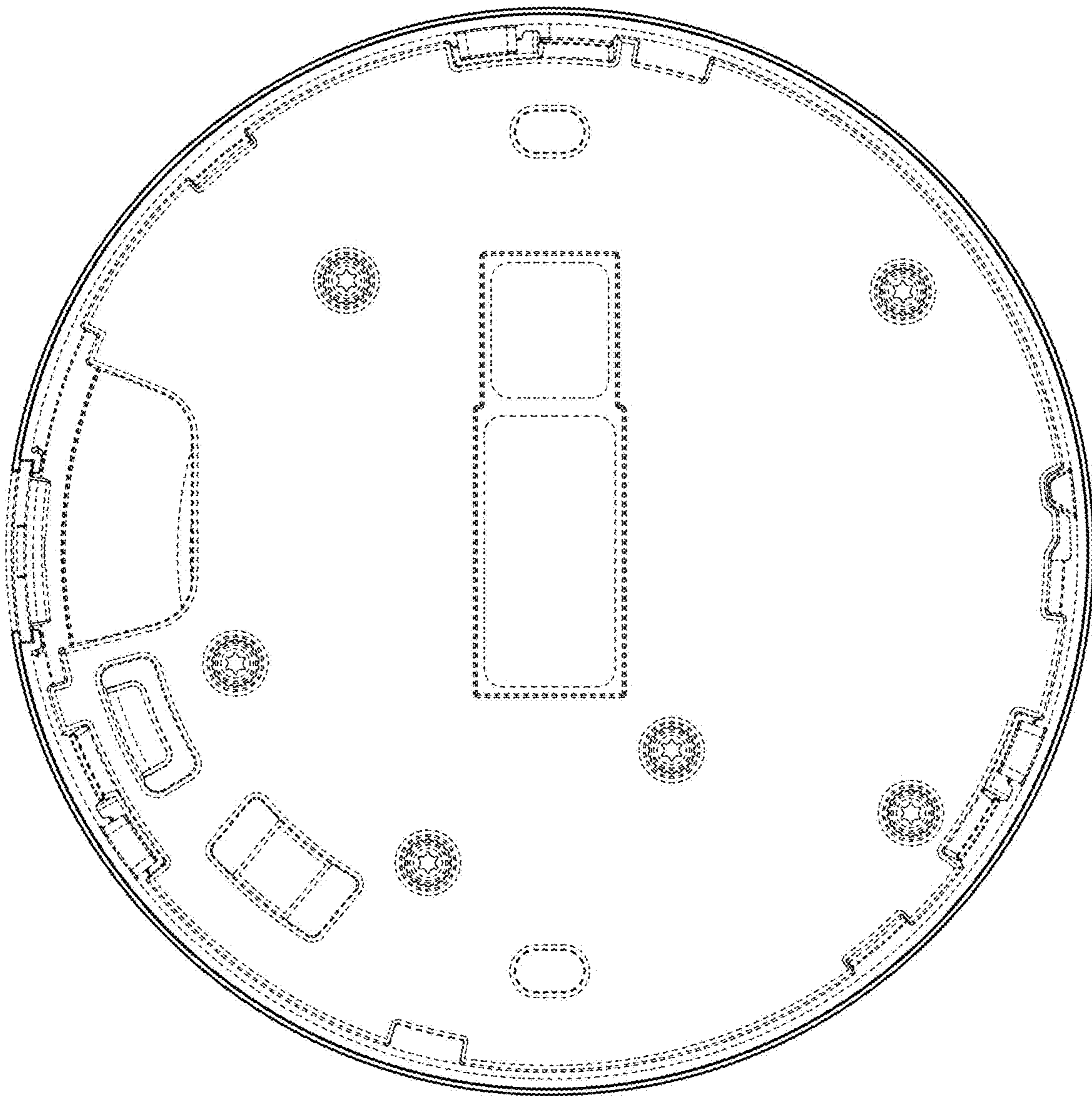


FIG. 7