



US00D876508S

(12) **United States Design Patent**  
**Osada**

(10) **Patent No.:** **US D876,508 S**

(45) **Date of Patent:** **\*\* Feb. 25, 2020**

(54) **DIGITAL CAMERA BODY OF LENS REPLACING TYPE**

(71) Applicant: **OLYMPUS CORPORATION**,  
Hachioji-shi, Tokyo (JP)

(72) Inventor: **Reisuke Osada**, Hachioji (JP)

(73) Assignee: **OLYMPUS CORPORATION**, Tokyo  
(JP)

(\*\*) Term: **15 Years**

(21) Appl. No.: **29/642,107**

(22) Filed: **Mar. 27, 2018**

(30) **Foreign Application Priority Data**

Jan. 29, 2018 (JP) ..... 2018-001587

(51) **LOC (12) Cl.** ..... **16-01**

(52) **U.S. Cl.**  
USPC ..... **D16/202**

(58) **Field of Classification Search**

USPC ..... D16/200, 202, 208, 209, 210, 218, 219

CPC ..... G03B 15/03; G03B 15/05; G03B 17/00;  
G03B 17/02; G03B 17/08; G03B 17/16;  
G03B 19/00; G03B 19/02; G03B 19/20;  
G03B 19/22; H04N 5/2251; H04N  
5/2252; H04N 5/2253

See application file for complete search history.

(56) **References Cited**

**U.S. PATENT DOCUMENTS**

D416,034 S \* 11/1999 Hayamizu ..... D16/209  
D423,031 S \* 4/2000 Shinohara ..... D16/202  
D452,260 S \* 12/2001 Petravac ..... D13/119  
D455,167 S \* 4/2002 Friedrichs ..... D16/218  
D606,104 S \* 12/2009 Sato ..... D16/202  
D633,934 S \* 3/2011 Funakoshi ..... D16/202

D640,720 S \* 6/2011 Yoshii ..... D16/202  
D647,552 S \* 10/2011 Ogasawara ..... D16/202  
D657,408 S \* 4/2012 Tainaka ..... D16/202  
D681,090 S \* 4/2013 Tainaka ..... D16/200  
D681,710 S \* 5/2013 Sato ..... D16/200  
D695,807 S \* 12/2013 Tainaka ..... D16/202  
D695,808 S \* 12/2013 Takahashi ..... D16/202  
D698,839 S \* 2/2014 Sato ..... D16/200  
D701,549 S \* 3/2014 Ogasawara ..... D16/202  
D713,869 S \* 9/2014 Kim ..... D16/202  
D720,786 S \* 1/2015 Imamizu ..... D16/202  
D731,572 S \* 6/2015 Nohara ..... D16/202  
D732,099 S \* 6/2015 Nagaoka ..... D16/202  
D734,802 S \* 7/2015 Osada ..... D16/202  
D737,355 S \* 8/2015 Tainaka ..... D16/202  
D738,419 S \* 9/2015 Lee ..... D16/202  
D744,569 S \* 12/2015 Lee ..... D16/202  
D749,659 S \* 2/2016 Kamei ..... D16/202

(Continued)

*Primary Examiner* — Sandra S Snapp

*Assistant Examiner* — Ieisha N Price

(74) *Attorney, Agent, or Firm* — Holtz, Holtz & Volek PC

(57) **CLAIM**

The ornamental design for a digital camera body of lens replacing type, as shown and described.

**DESCRIPTION**

FIG. 1 is a front, top and left side perspective view of a digital camera body of lens replacing type showing my new design;

FIG. 2 is a front elevational view thereof;

FIG. 3 is a rear elevational view thereof;

FIG. 4 is a top plan view thereof;

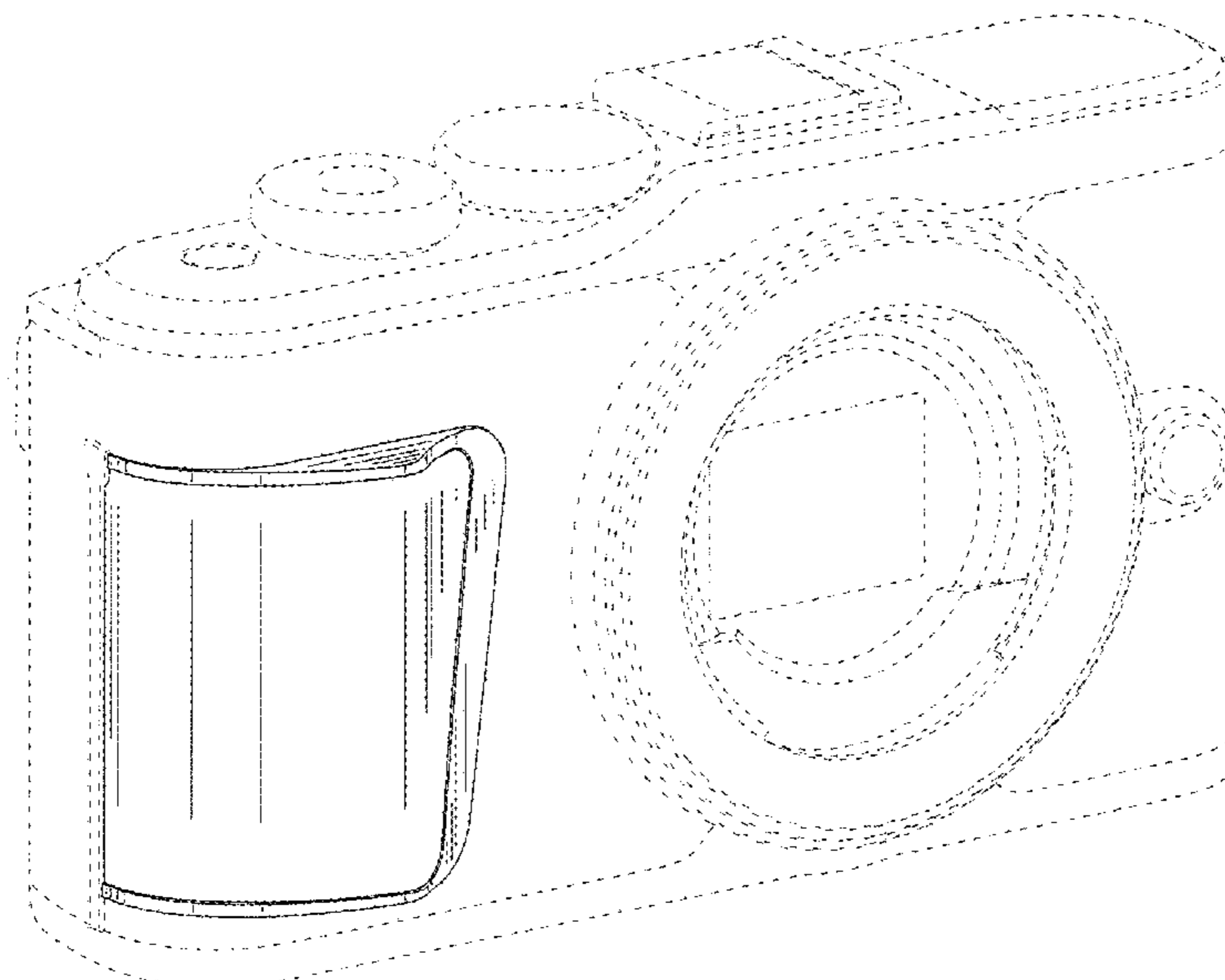
FIG. 5 is a bottom plan view thereof;

FIG. 6 is a right side elevational view thereof; and,

FIG. 7 is a left side elevational view thereof.

The broken lines in the drawings illustrate portions of the digital camera body of lens replacing type and form no part of the claimed design.

**1 Claim, 7 Drawing Sheets**



(56)

**References Cited**

U.S. PATENT DOCUMENTS

D750,151 S *	2/2016	Kamei .....	D16/219
D779,574 S *	2/2017	Nakajima .....	D16/202
D779,575 S *	2/2017	Kobayashi .....	D16/202
D794,693 S *	8/2017	Sato .....	D16/202
D795,324 S *	8/2017	Sato .....	D16/202
D795,939 S *	8/2017	Hoshi .....	D16/202
D809,050 S *	1/2018	Osada .....	D16/219
D821,475 S *	6/2018	Ikegame .....	D16/200
D852,254 S *	6/2019	Saito .....	D16/202
D858,601 S *	9/2019	von Fintel .....	D16/202
D858,607 S *	9/2019	Henry .....	D16/208
2014/0063336 A1 *	3/2014	Choi .....	H04N 5/2252 348/374
2014/0240581 A1 *	8/2014	Sung .....	H04N 5/2251 348/335

\* cited by examiner

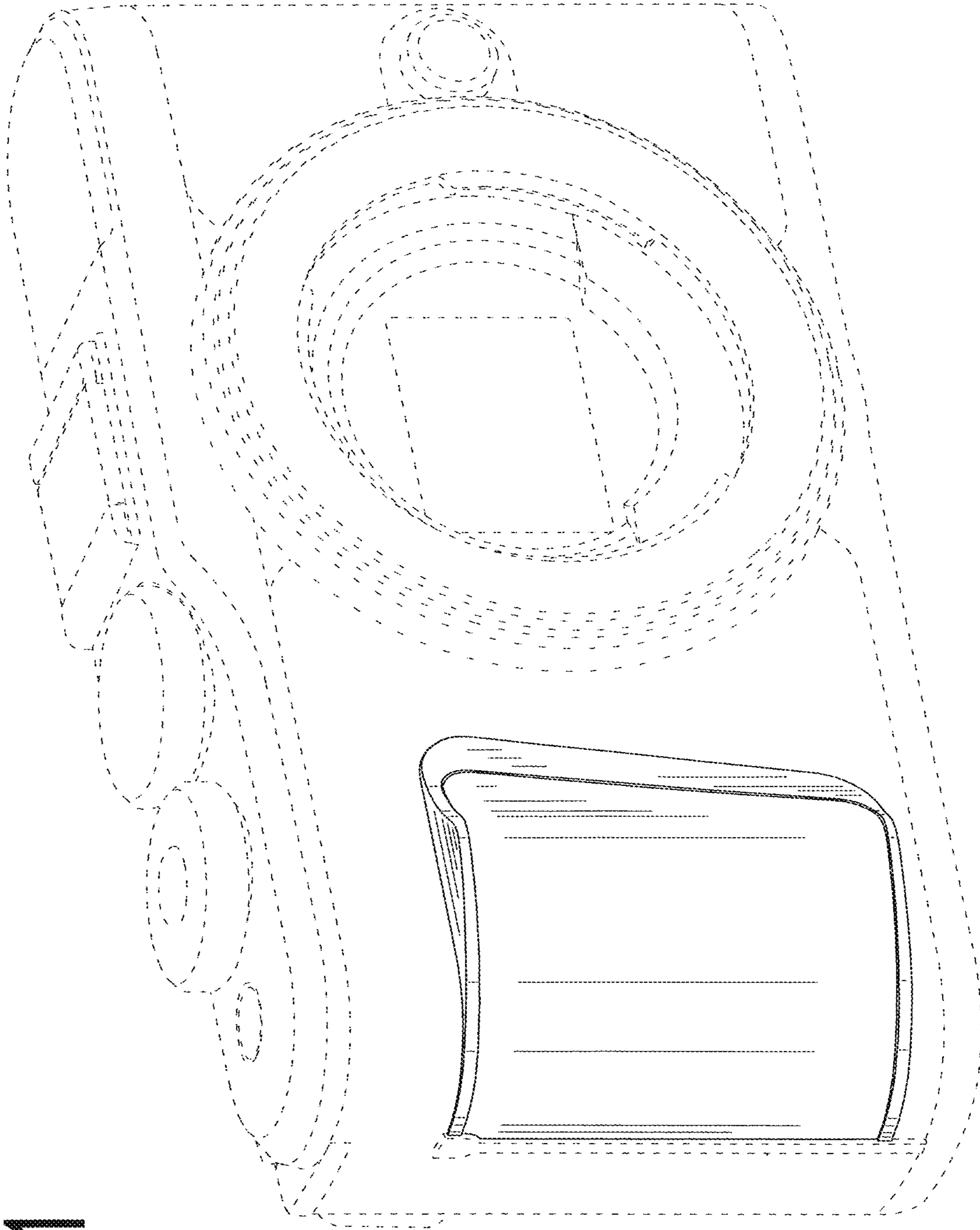


Fig. 1

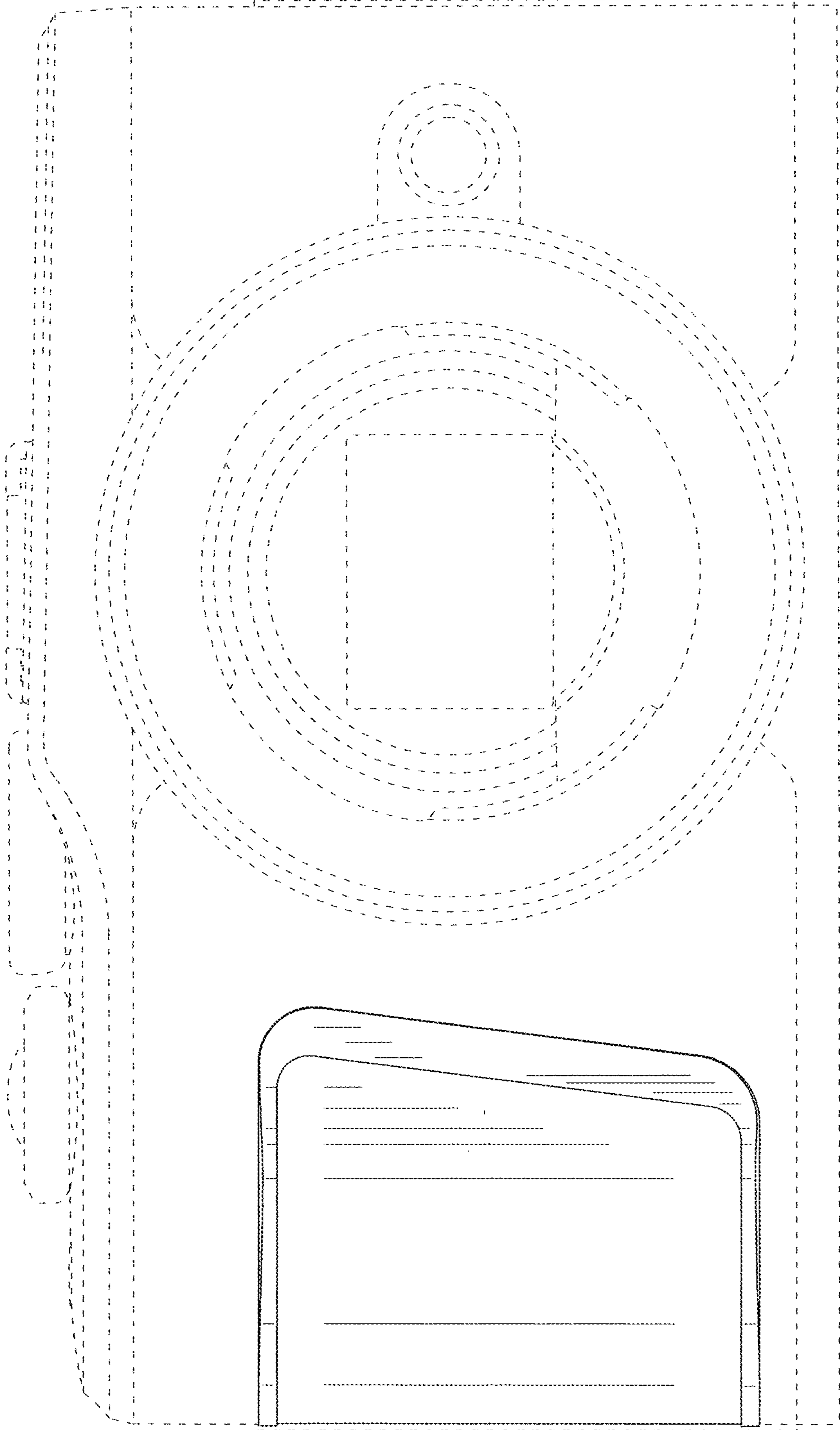


Fig. 2

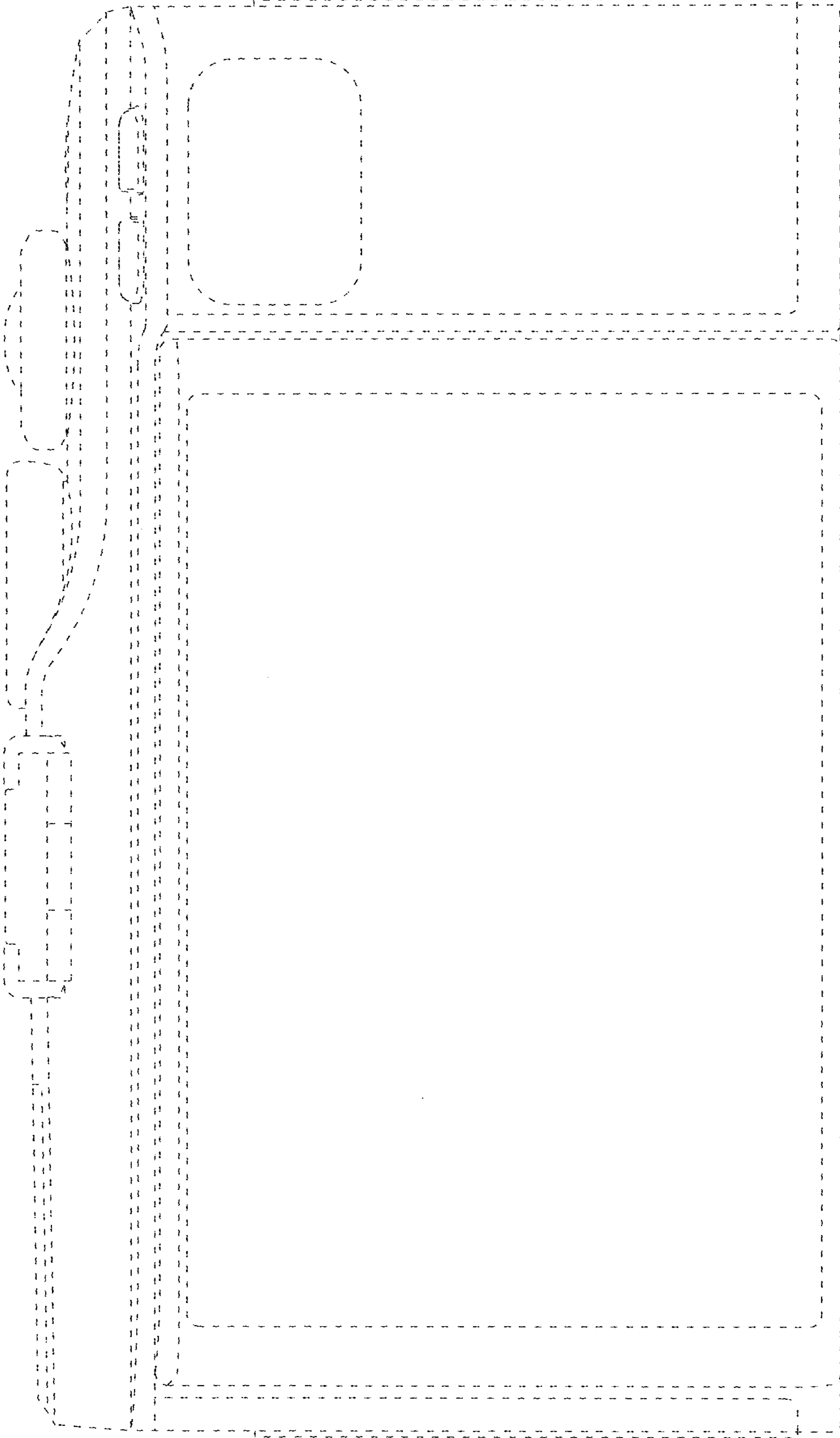


Fig. 3

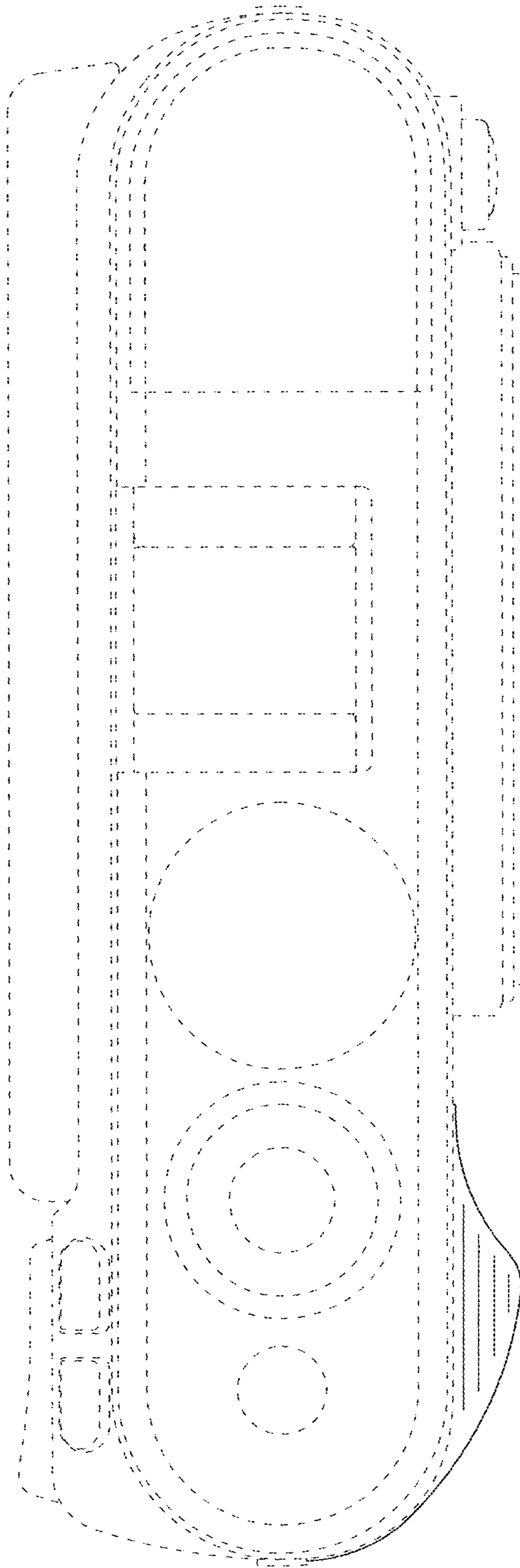


Fig. 4

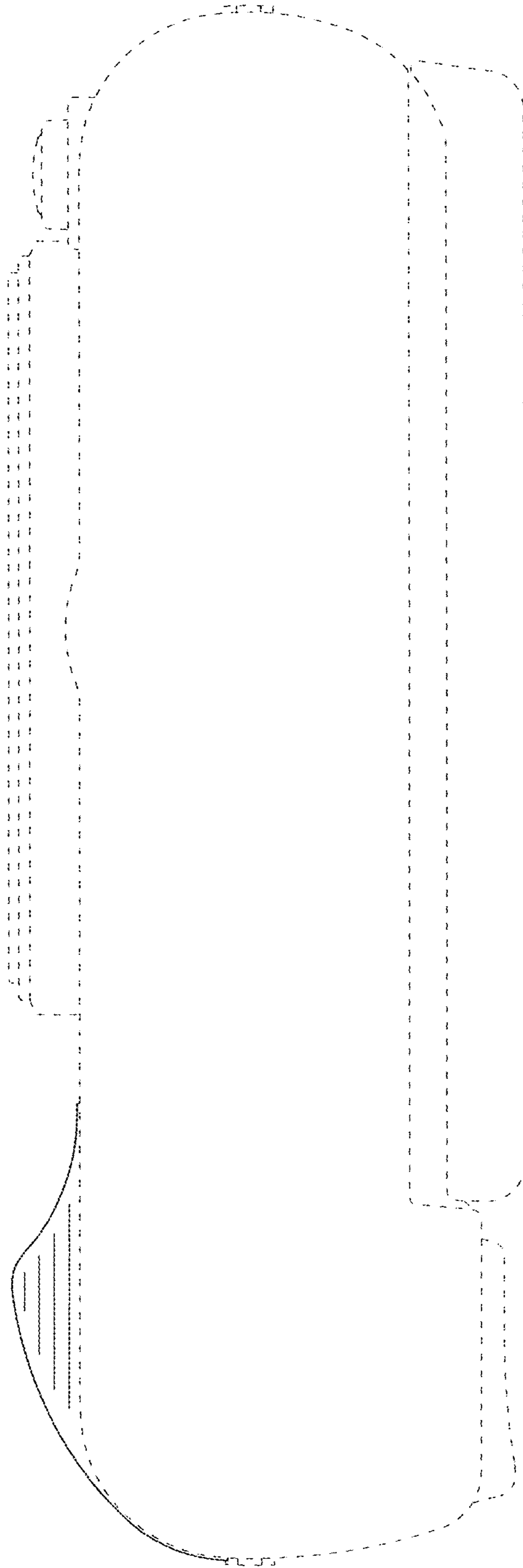


Fig. 5

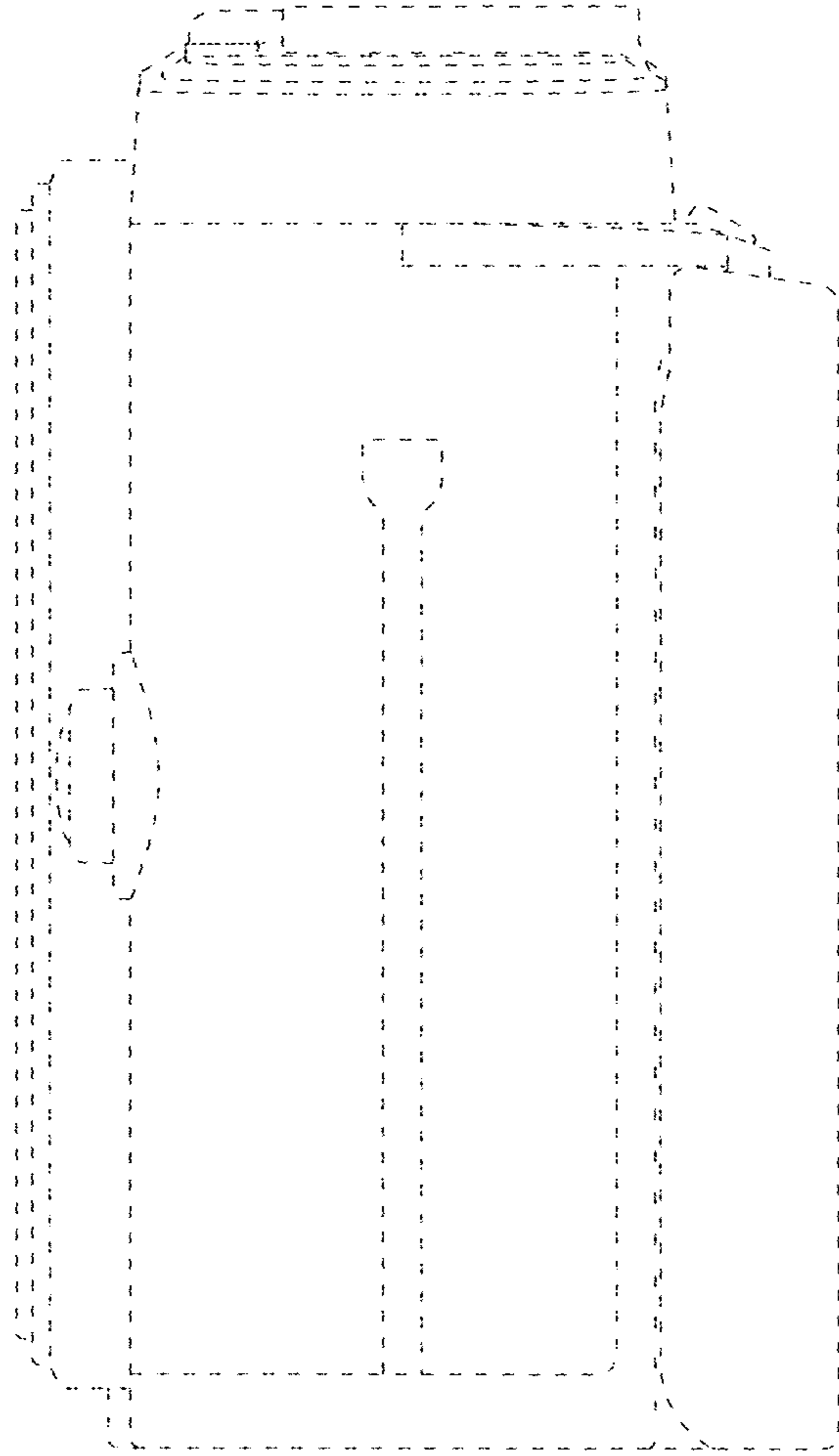


Fig. 6



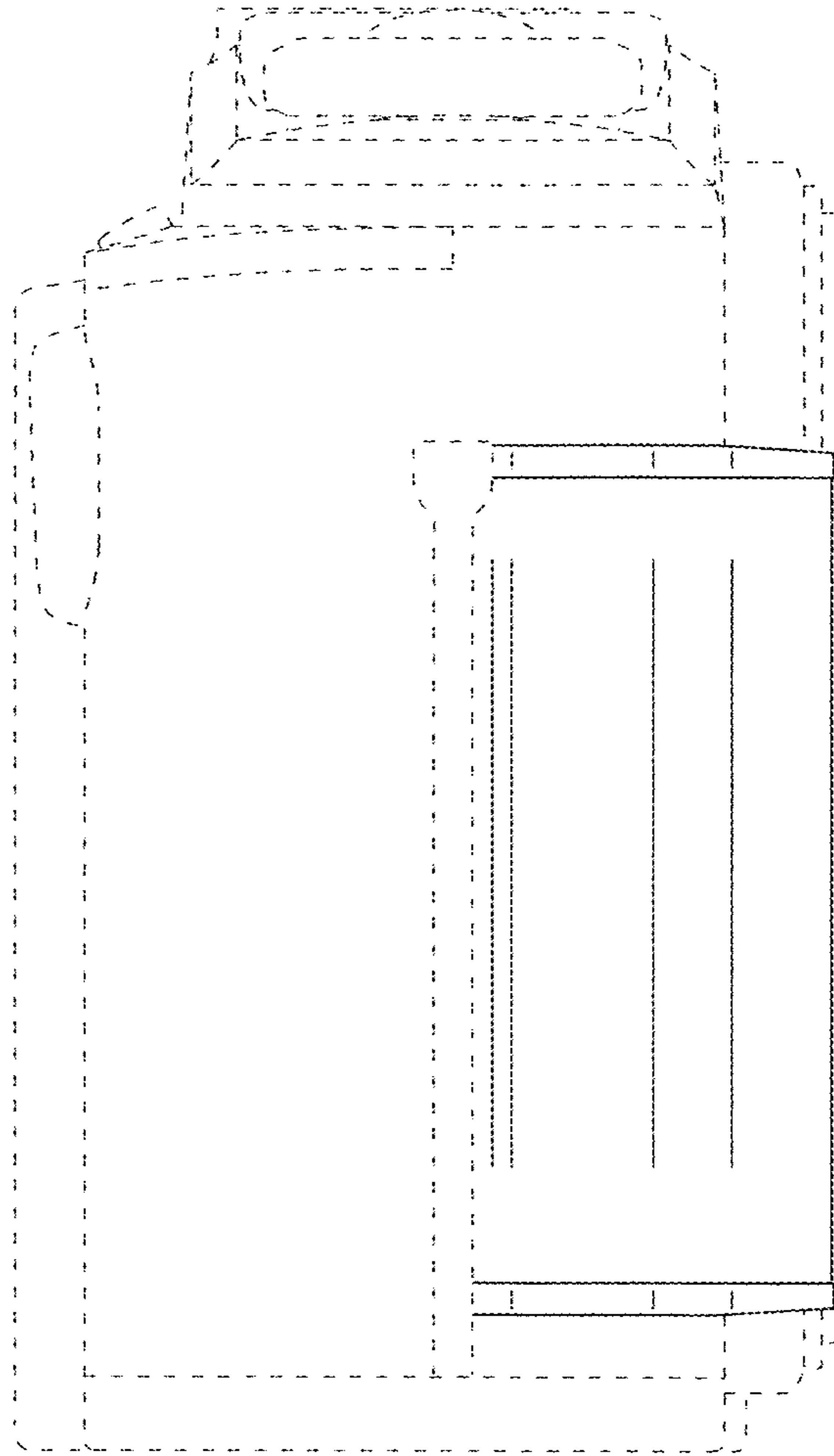


Fig. 7