



US00D876507S

(12) **United States Design Patent** (10) **Patent No.:** **US D876,507 S**  
**Liu** (45) **Date of Patent:** **\*\* Feb. 25, 2020**

(54) **COVER FOR A CAMERA**  
(71) Applicant: **Hangzhou Hikvision Digital Technology Co., Ltd., Zhejiang (CN)**  
(72) Inventor: **Yao Liu, Zhejiang (CN)**  
(73) Assignee: **Hangzhou Hikvision Digital Technology Co., Ltd., Zhejiang (CN)**  
(\*\*) Term: **15 Years**  
(21) Appl. No.: **29/642,356**  
(22) Filed: **Mar. 29, 2018**

D745,916 S \* 12/2015 Oh ..... D16/134  
D758,470 S \* 6/2016 Kircher ..... D16/215  
D791,849 S \* 7/2017 Zhang ..... D16/203  
D793,464 S \* 8/2017 Donaldson ..... D16/203  
D798,934 S \* 10/2017 Wu ..... D16/203  
D801,407 S \* 10/2017 Kullgren ..... D16/203  
D811,462 S 2/2018 Axelsson et al.  
D814,544 S \* 4/2018 Moon ..... D16/203  
D815,926 S \* 4/2018 Lee ..... D7/682  
D816,755 S \* 5/2018 Barnekow ..... D16/203  
D817,378 S 5/2018 Persson et al.  
D823,919 S 7/2018 Persson et al.  
D829,259 S 9/2018 Persson et al.  
D837,148 S \* 1/2019 Brown ..... D13/108  
D837,863 S 1/2019 Persson et al.  
D839,338 S 1/2019 Persson et al.  
2017/0104908 A1\* 4/2017 Mukai ..... G03B 17/02

\* cited by examiner

(30) **Foreign Application Priority Data**

Sep. 30, 2017 (CN) ..... 2017 3 0474511  
(51) **LOC (12) Cl.** ..... **16-01**  
(52) **U.S. Cl.**  
USPC ..... **D16/200**  
(58) **Field of Classification Search**  
USPC ..... D16/200, 202-206, 218, 219, 242;  
348/143, 148, 151, 373-376; 396/419,  
396/427, 535, 539-541  
CPC ..... G03B 17/02; G03B 19/04; G03B 17/56;  
G03B 17/04; G03B 15/03; H04N 5/2251;  
H04N 5/2252; H04N 5/2253; H04N  
5/2254; H04N 7/181; H04N 7/183; H04N  
7/18; G08B 13/1963; G08B 13/19619;  
G08B 13/19632; F16M 11/04; F16M  
13/00  
See application file for complete search history.

*Primary Examiner* — Ramzi S Almatrahi  
(74) *Attorney, Agent, or Firm* — Meunier Carlin & Curfman LLC

(57) **CLAIM**

The ornamental design for a cover for a camera, as shown and described.

**DESCRIPTION**

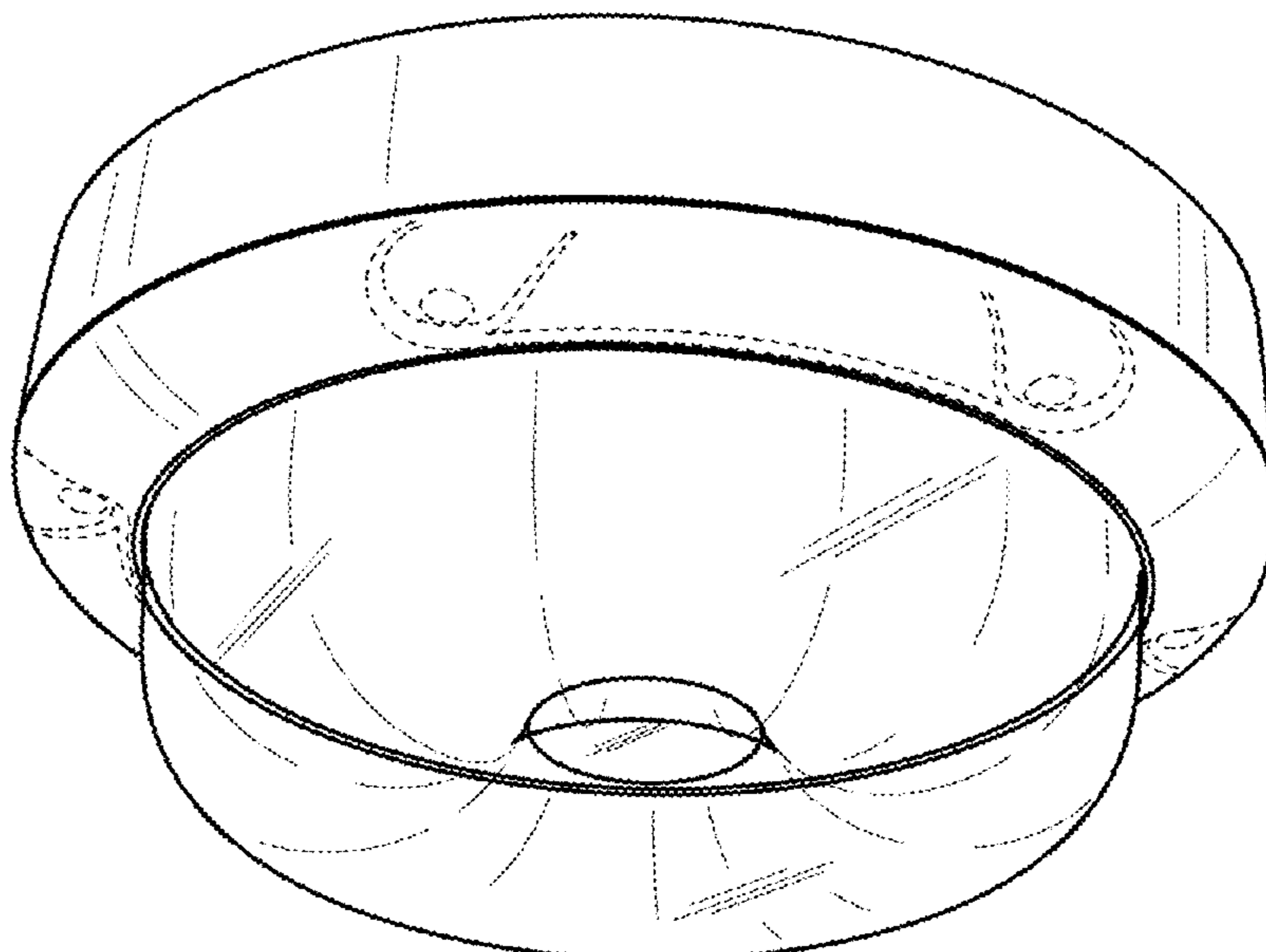
FIG. 1 is a front view of a cover for a camera showing my new design.  
FIG. 2 is a rear view thereof.  
FIG. 3 is a left-side view thereof.  
FIG. 4 is a right-side view thereof.  
FIG. 5 is a top view thereof.  
FIG. 6 is a bottom view thereof; and,  
FIG. 7 is a perspective view thereof.  
The broken lines depict portions of the cover for a camera in which the design is embodied that form no part of the claimed design.

(56) **References Cited**

**U.S. PATENT DOCUMENTS**

D694,306 S \* 11/2013 Katori ..... D16/203  
D721,755 S \* 1/2015 Ahman ..... D16/203

**1 Claim, 3 Drawing Sheets**



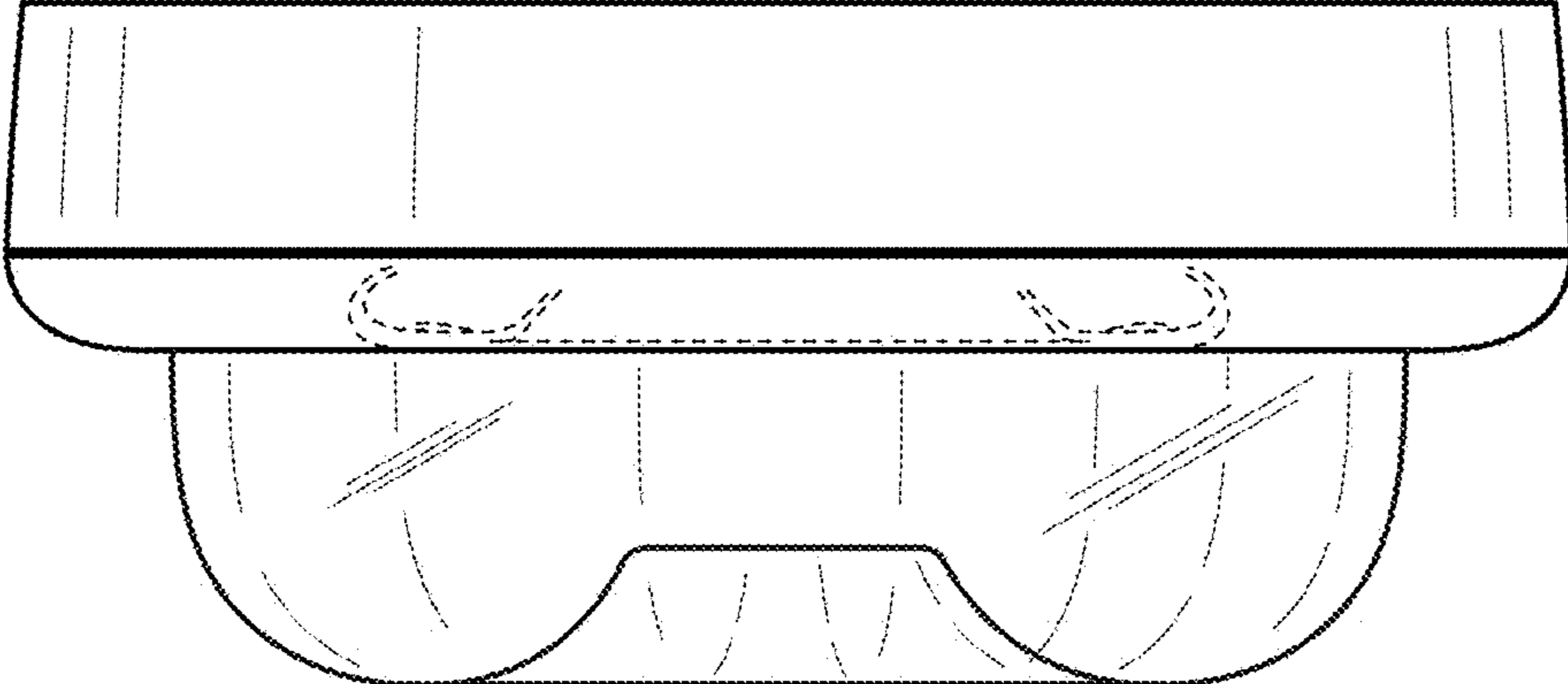


FIG. 1

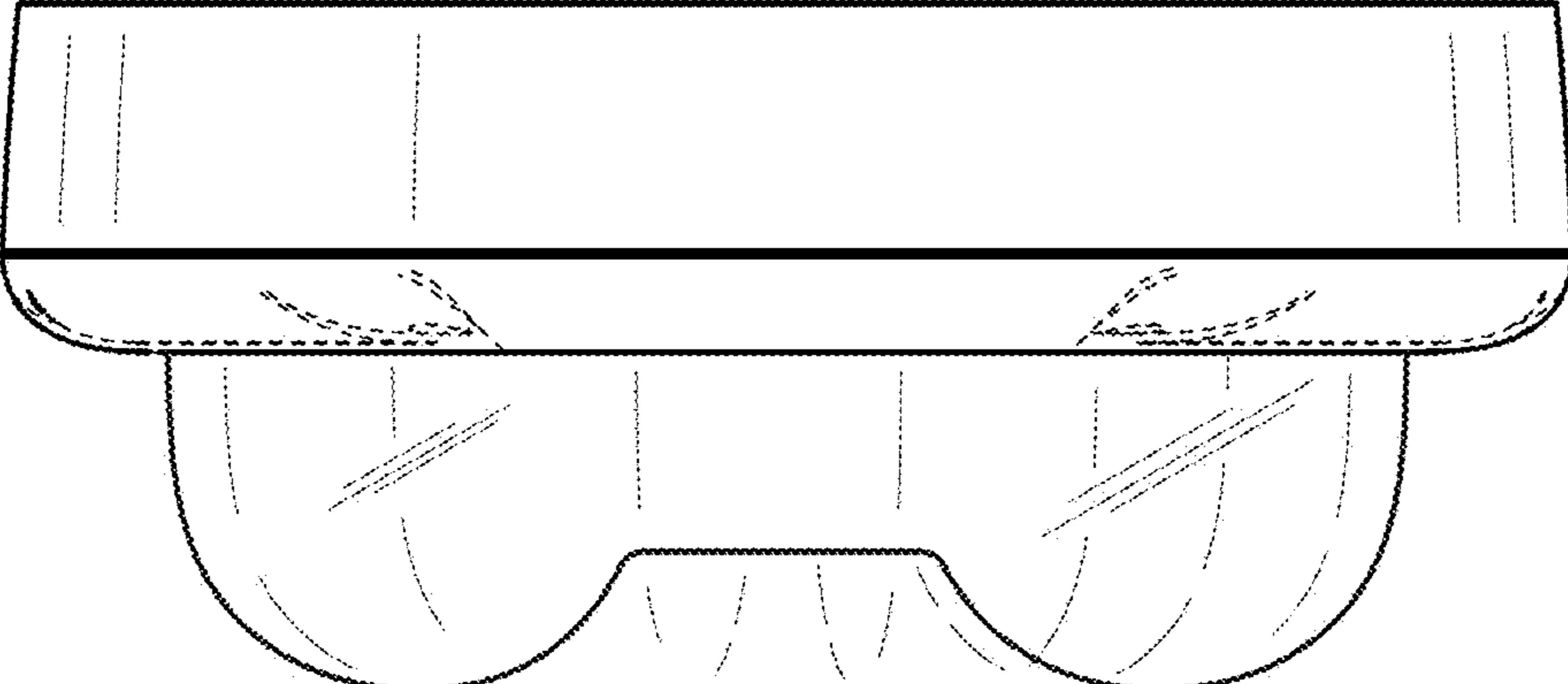


FIG. 2

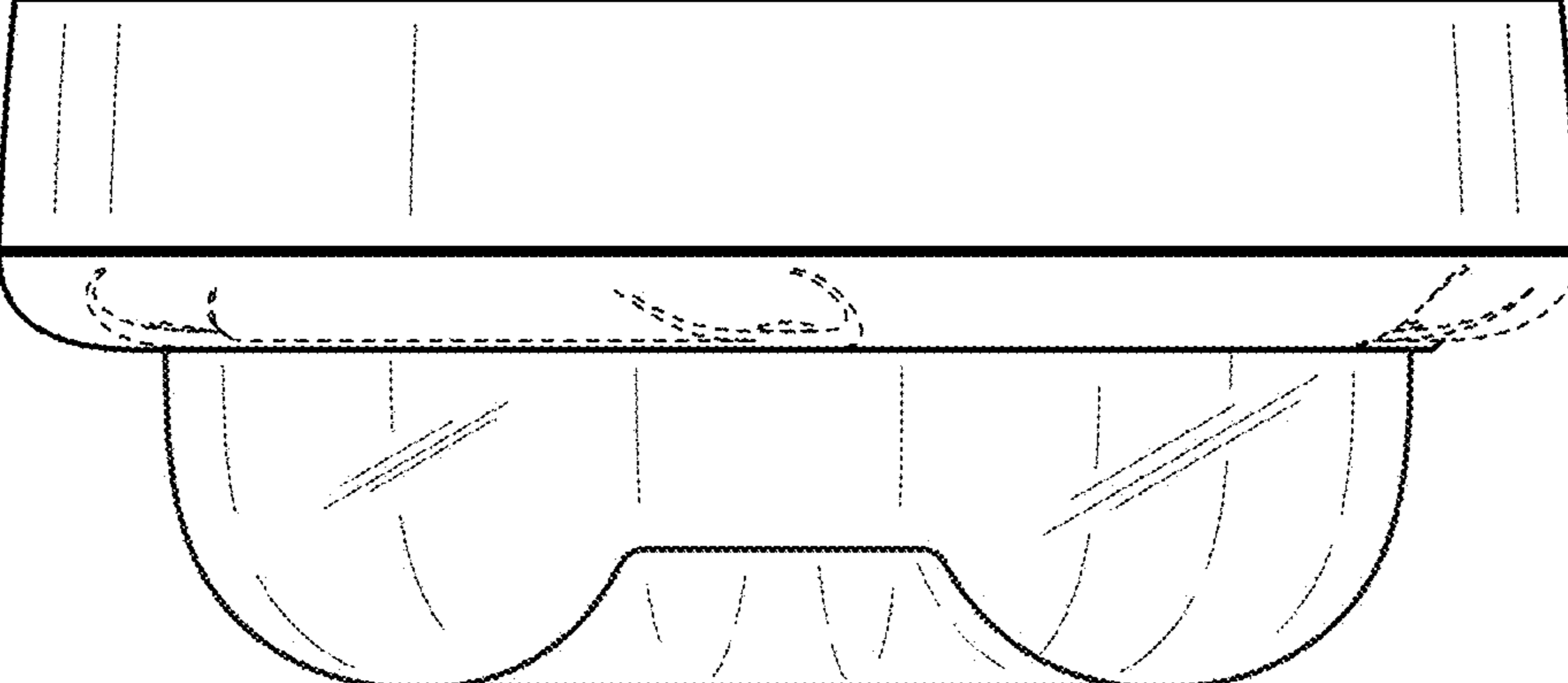


FIG. 3

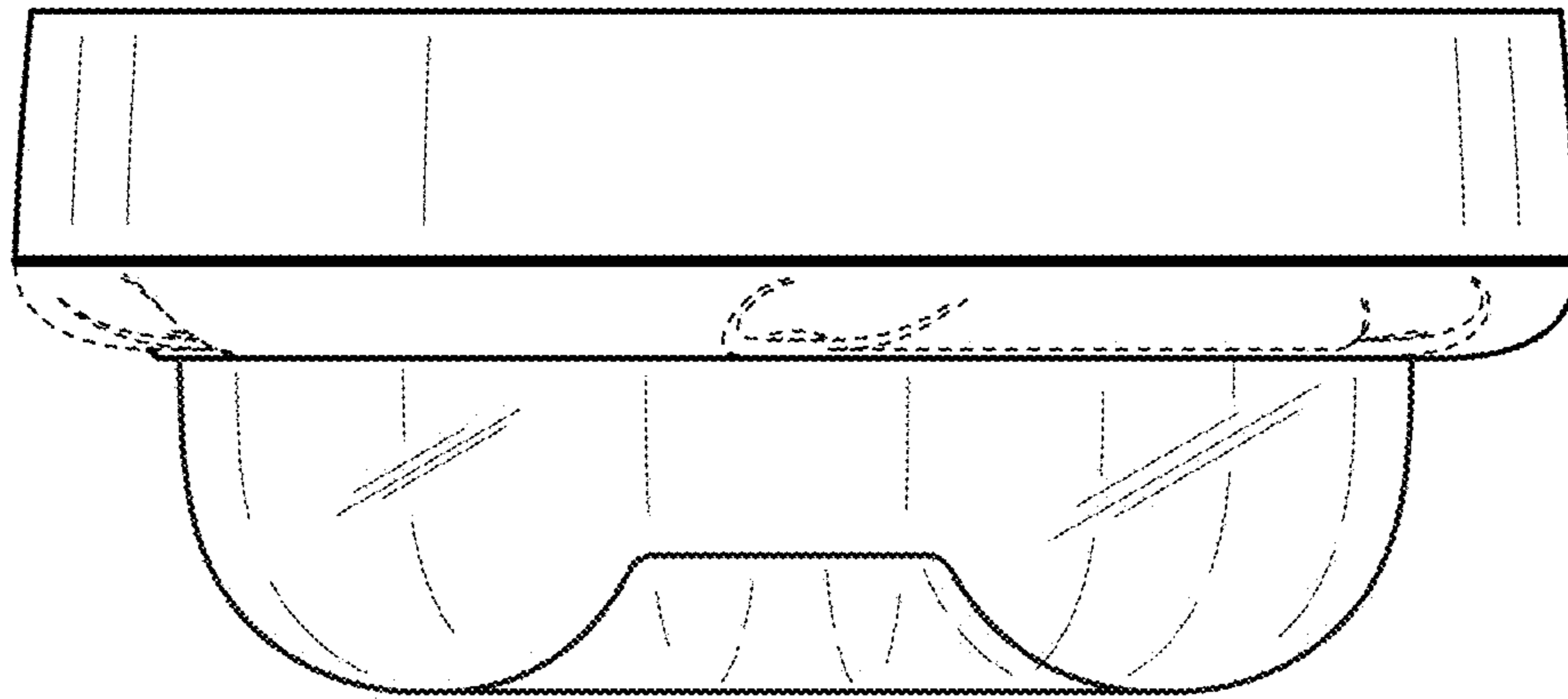


FIG. 4

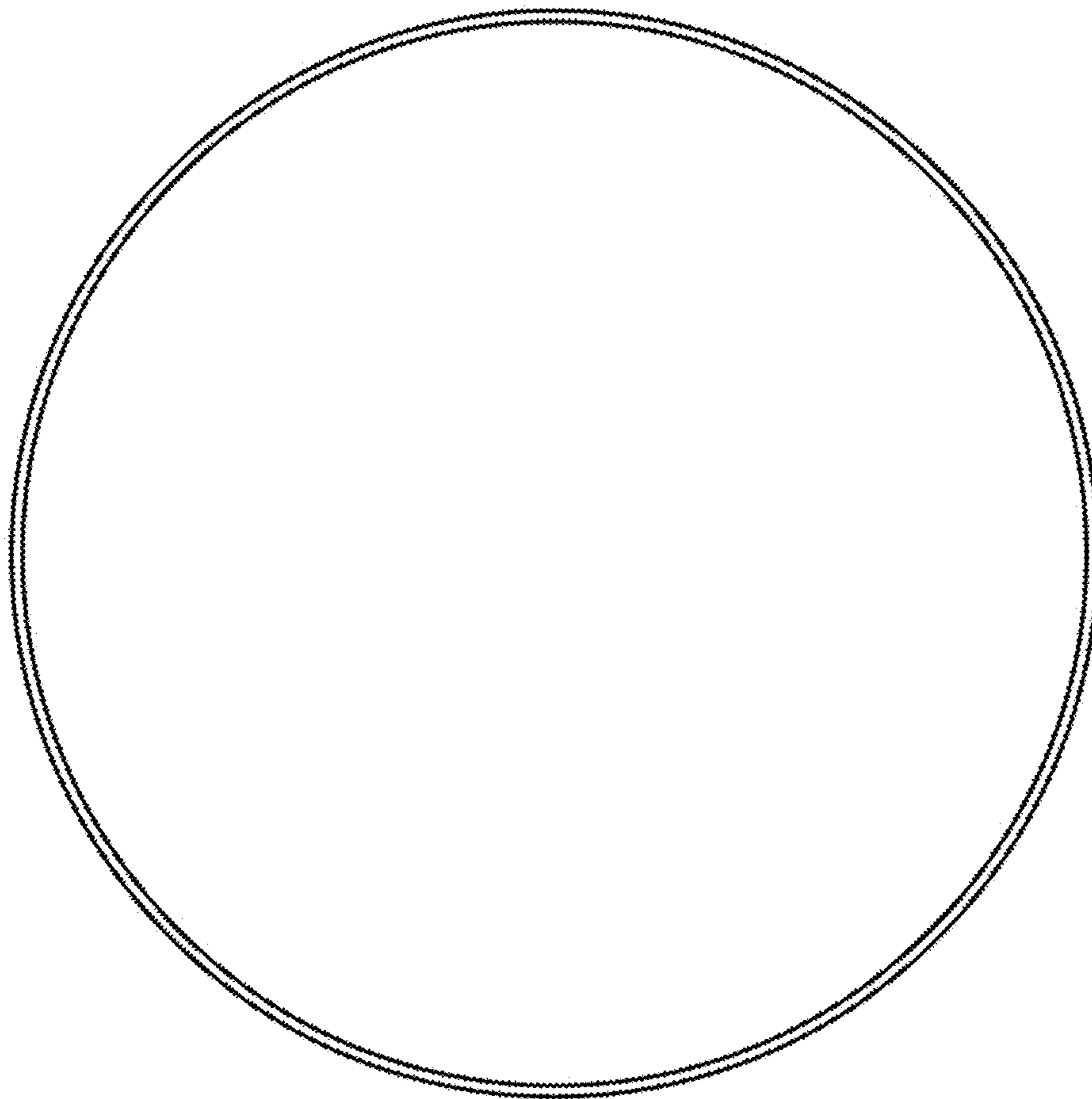


FIG. 5

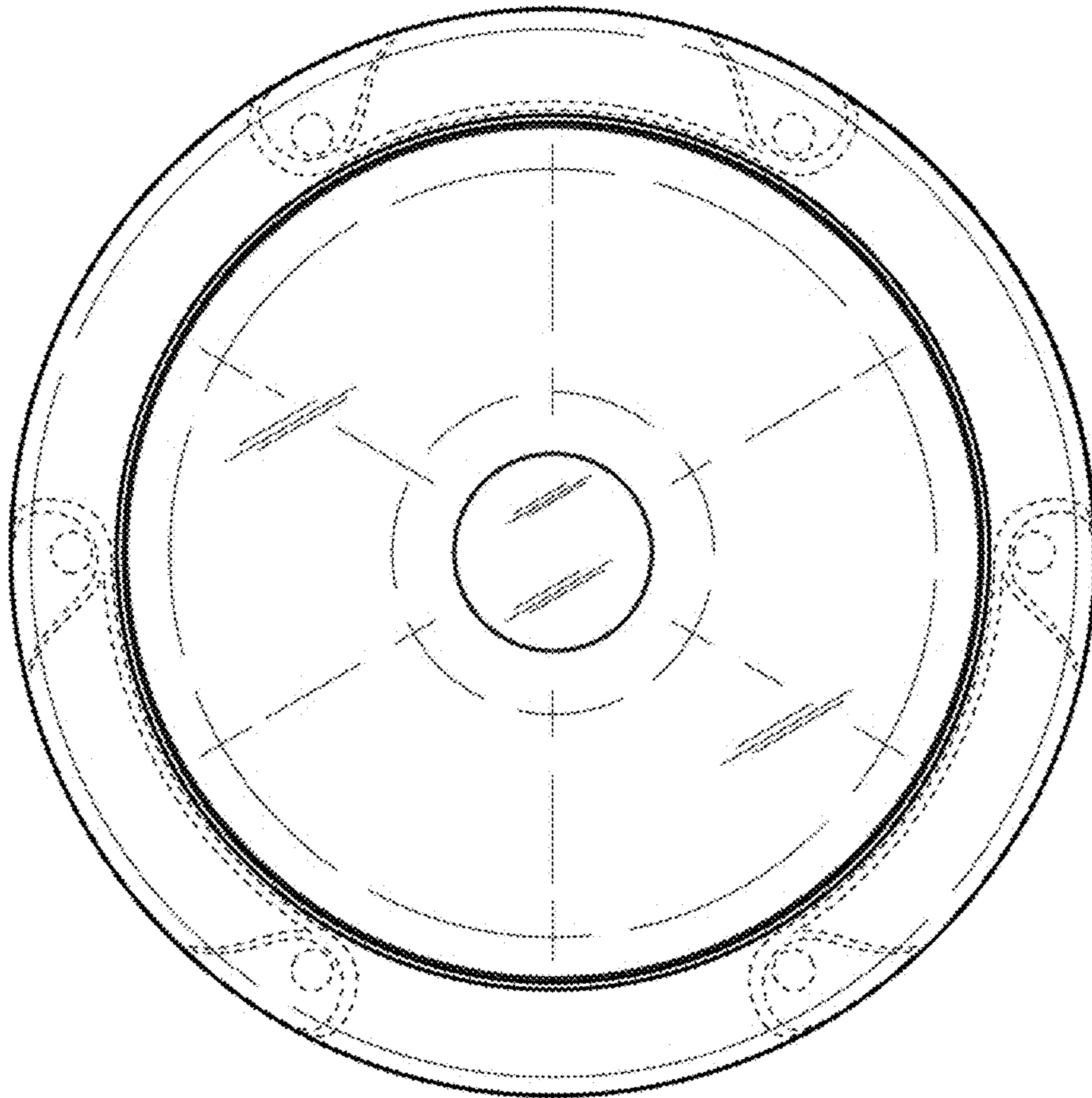


FIG. 6

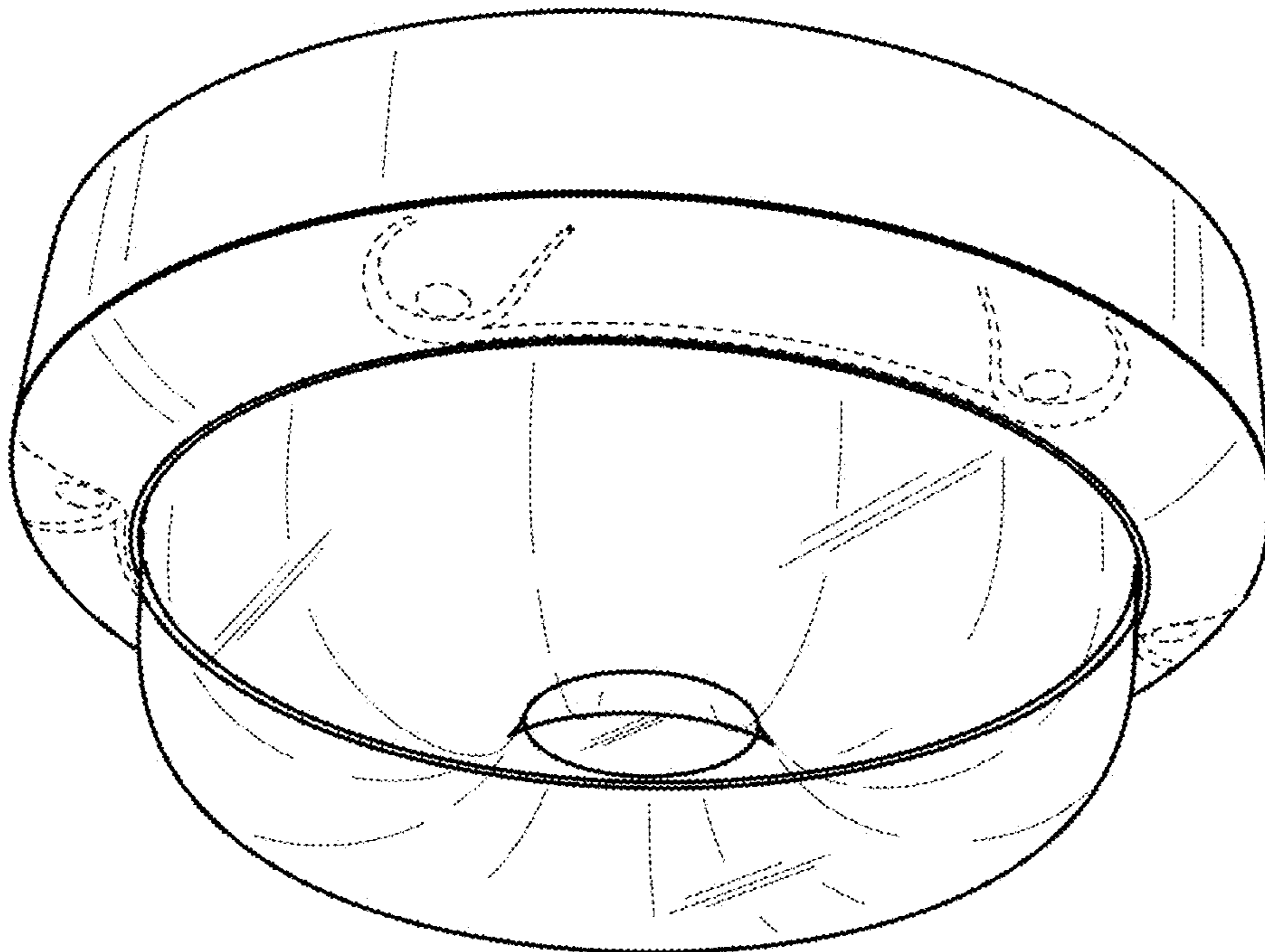


FIG. 7